



US00D684860S

(12) **United States Design Patent**
Parks, Jr. et al.

(10) **Patent No.:** **US D684,860 S**
(45) **Date of Patent:** **** Jun. 25, 2013**

(54) **POURING SPOUT**

(75) Inventors: **Clayton Parks, Jr.**, Linden, MI (US);
Patrick E. Mulry, Alto, MI (US)

(73) Assignee: **Bar's Products, Inc.**, Holly, MI (US)

(**) Term: **14 Years**

(21) Appl. No.: **29/410,711**

(22) Filed: **Jan. 11, 2012**

(51) **LOC (9) Cl.** **09-07**

(52) **U.S. Cl.**

USPC **D9/436; D9/440; D9/446; D9/452**

(58) **Field of Classification Search**

USPC **D9/453, 449, 447, 440, 436, 435,**

D9/434; D7/398, 397; 222/570, 569

See application file for complete search history.

(56) **References Cited**

U.S. PATENT DOCUMENTS

D102,741 S *	1/1937	Bloomfield	D9/447
D115,420 S *	6/1939	Pancoast	D9/447
D185,179 S *	5/1959	Tupper	D9/436
D204,103 S *	3/1966	Lydon	D9/447

D443,488 S *	6/2001	Palladino	D8/14.1
D531,900 S *	11/2006	Mavin et al.	D9/447
2008/0110929 A1 *	5/2008	Traasdahl et al.	222/109

* cited by examiner

Primary Examiner — Susan Bennett Hattan

(74) *Attorney, Agent, or Firm* — Gifford, Krass, Sprinkle,
Anderson & Citkowski, P.C.

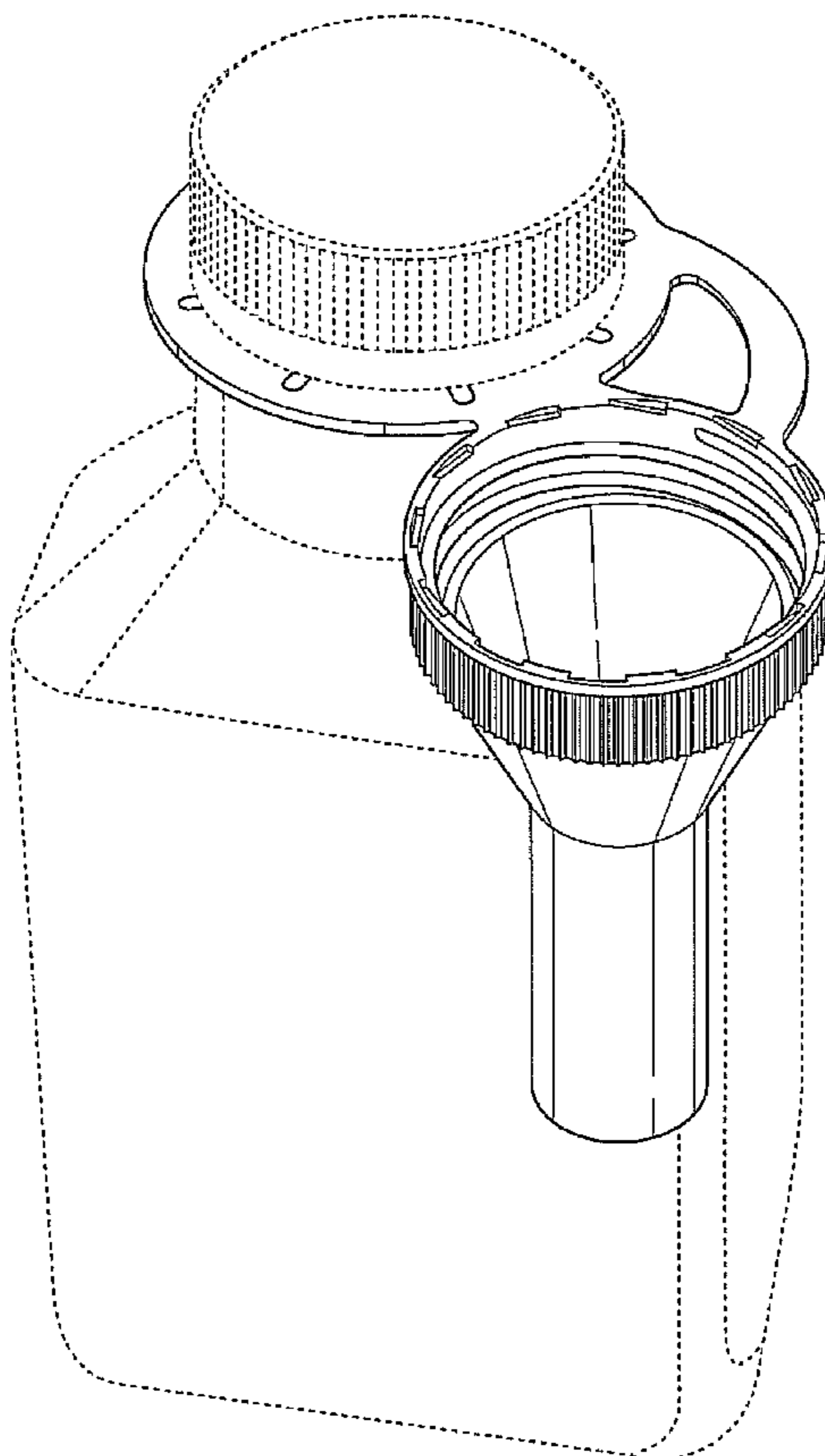
(57) **CLAIM**

The ornamental design for a pouring spout, as shown and described.

DESCRIPTION

FIG. 1 is a perspective view showing a pouring spout embodying the design of the present invention, as attached in a first, storage position, to a bottle which is shown in phantom outline and does not form a portion of the present invention; FIG. 2 is a perspective view showing the pouring spout embodying the design of the present invention, as attached in a second, use, position, to a bottle which is shown in phantom outline and does not form a portion of the present invention; FIG. 3 is a perspective view of the pouring spout embodying the design of the present invention; FIG. 4 is a top plan view of the pouring spout of FIG. 3; FIG. 5 is a front elevation view of the pouring spout of FIG. 3; and, FIG. 6 is a bottom plan view of the pouring spout of FIG. 3.

1 Claim, 4 Drawing Sheets



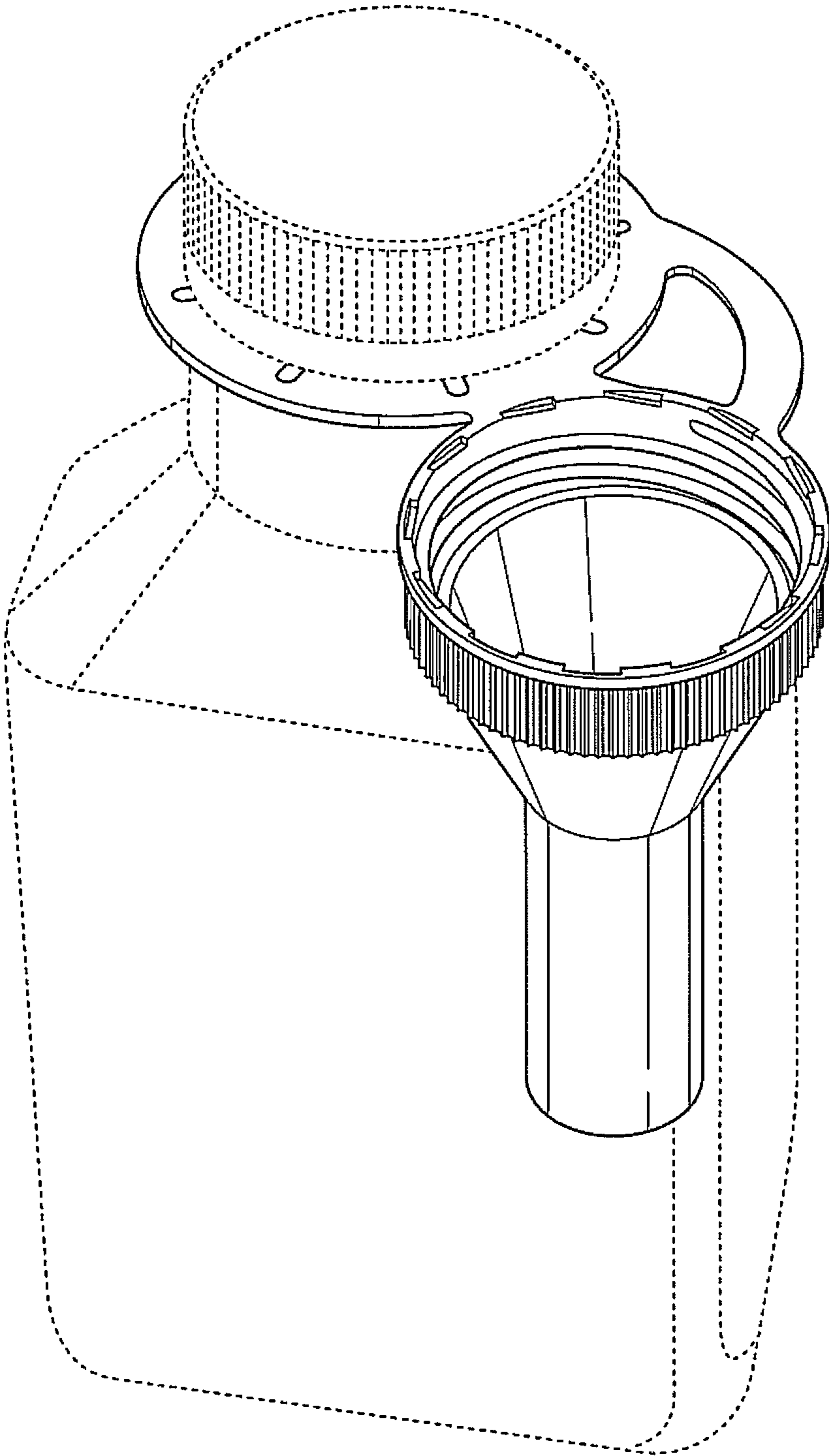


FIG. 1

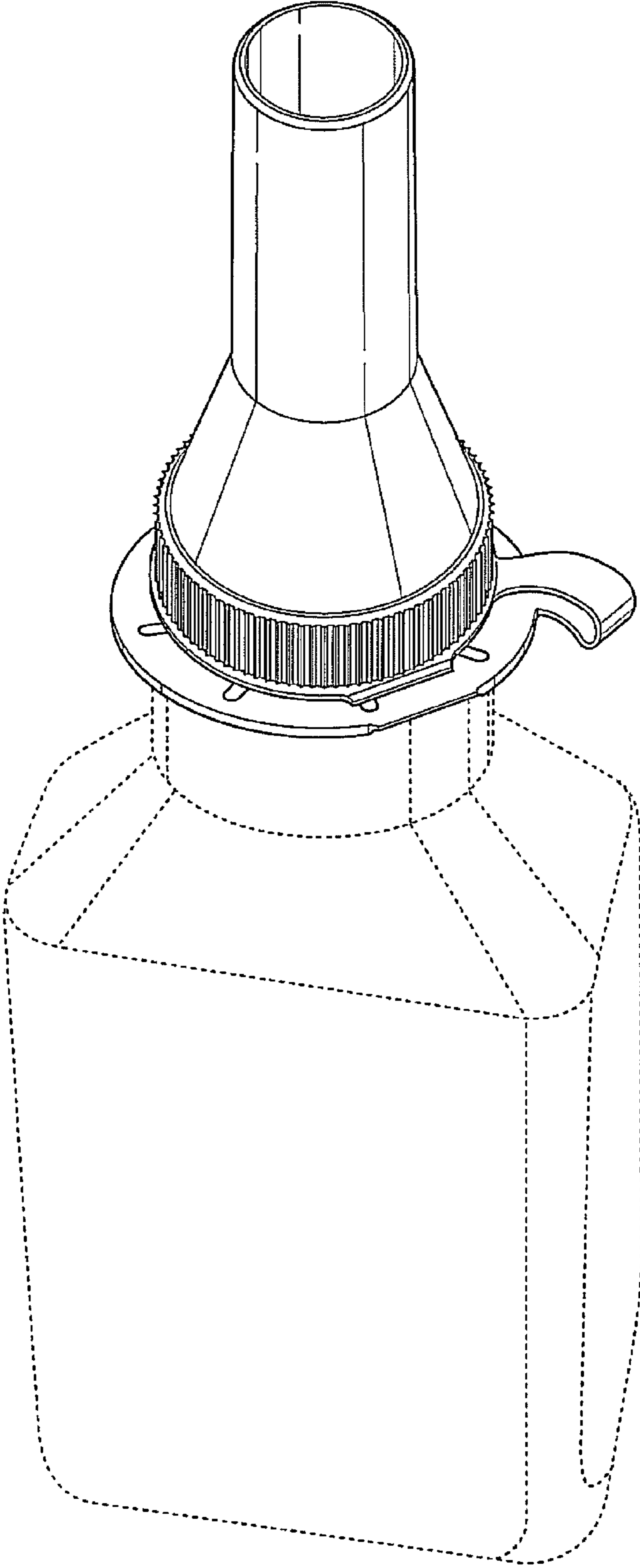


FIG. 2

FIG. 3

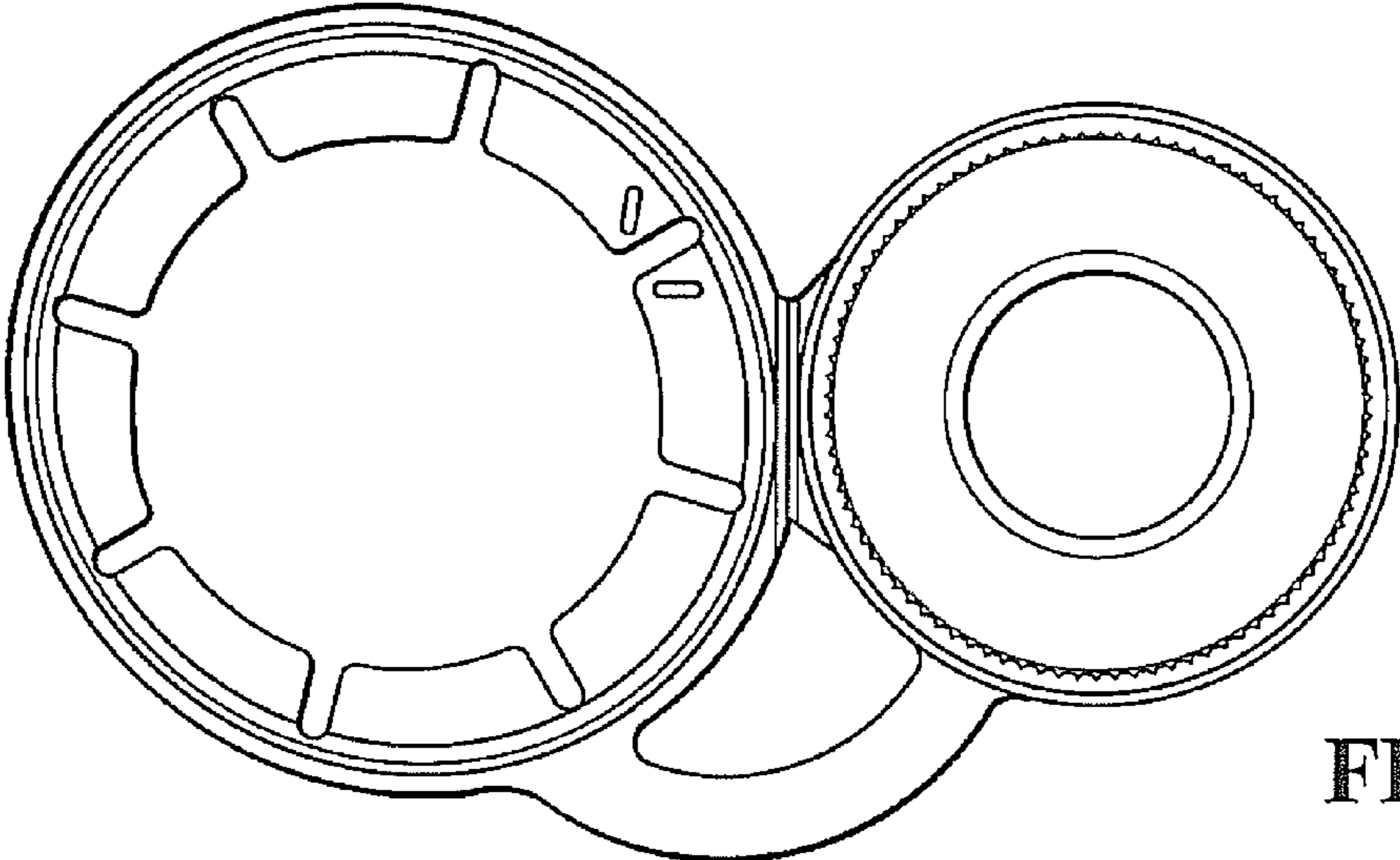
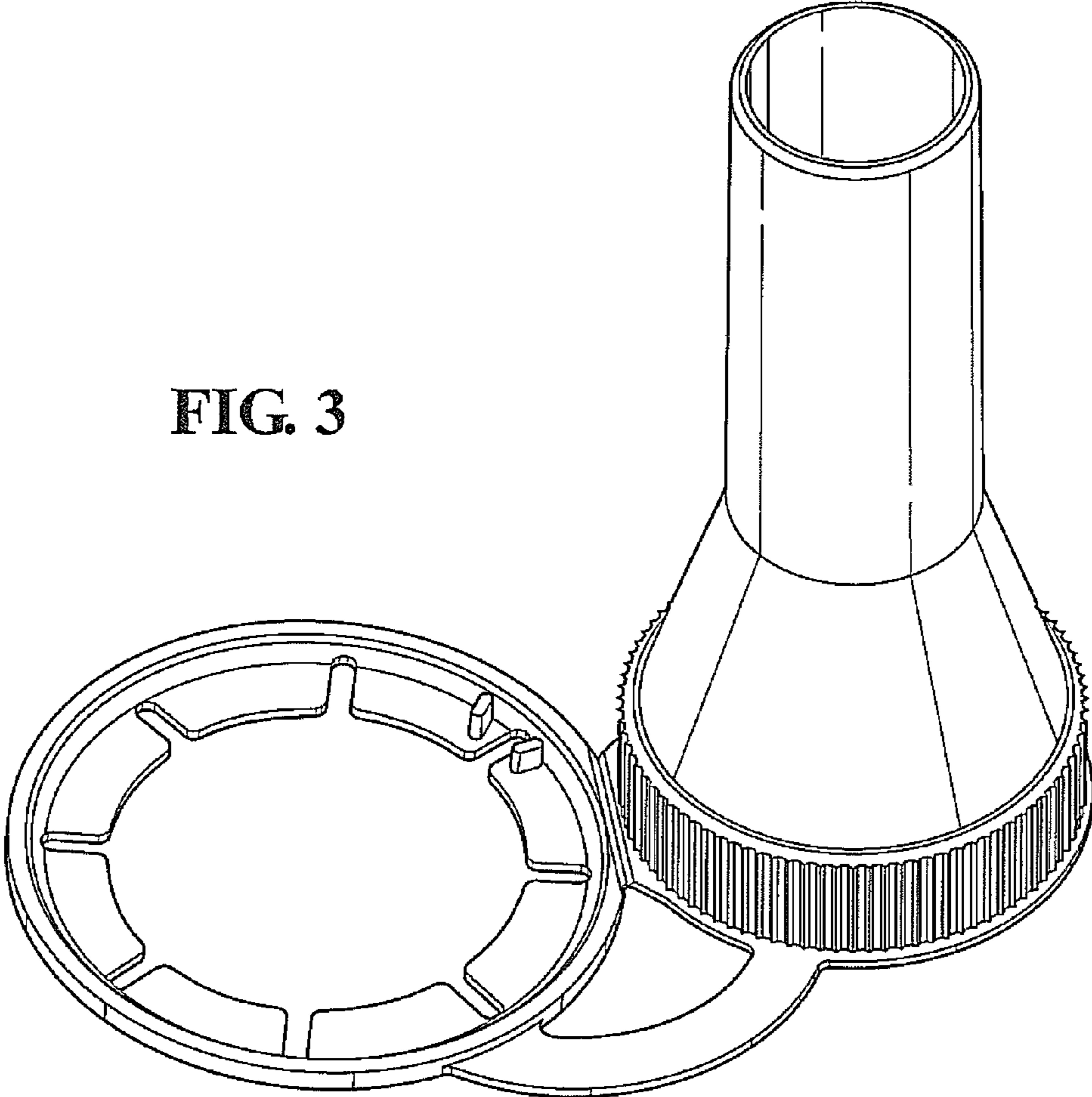


FIG. 4

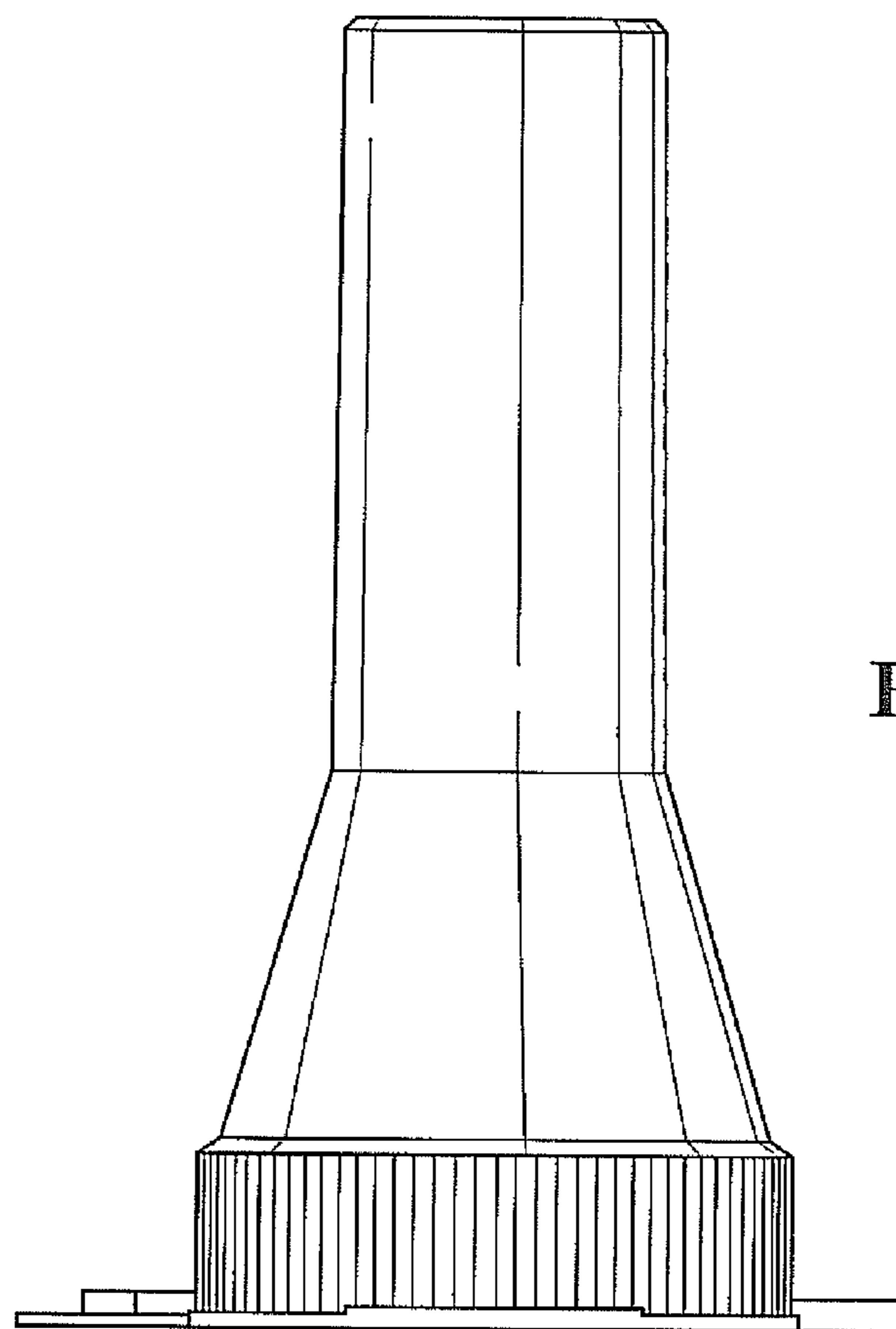


FIG. 5

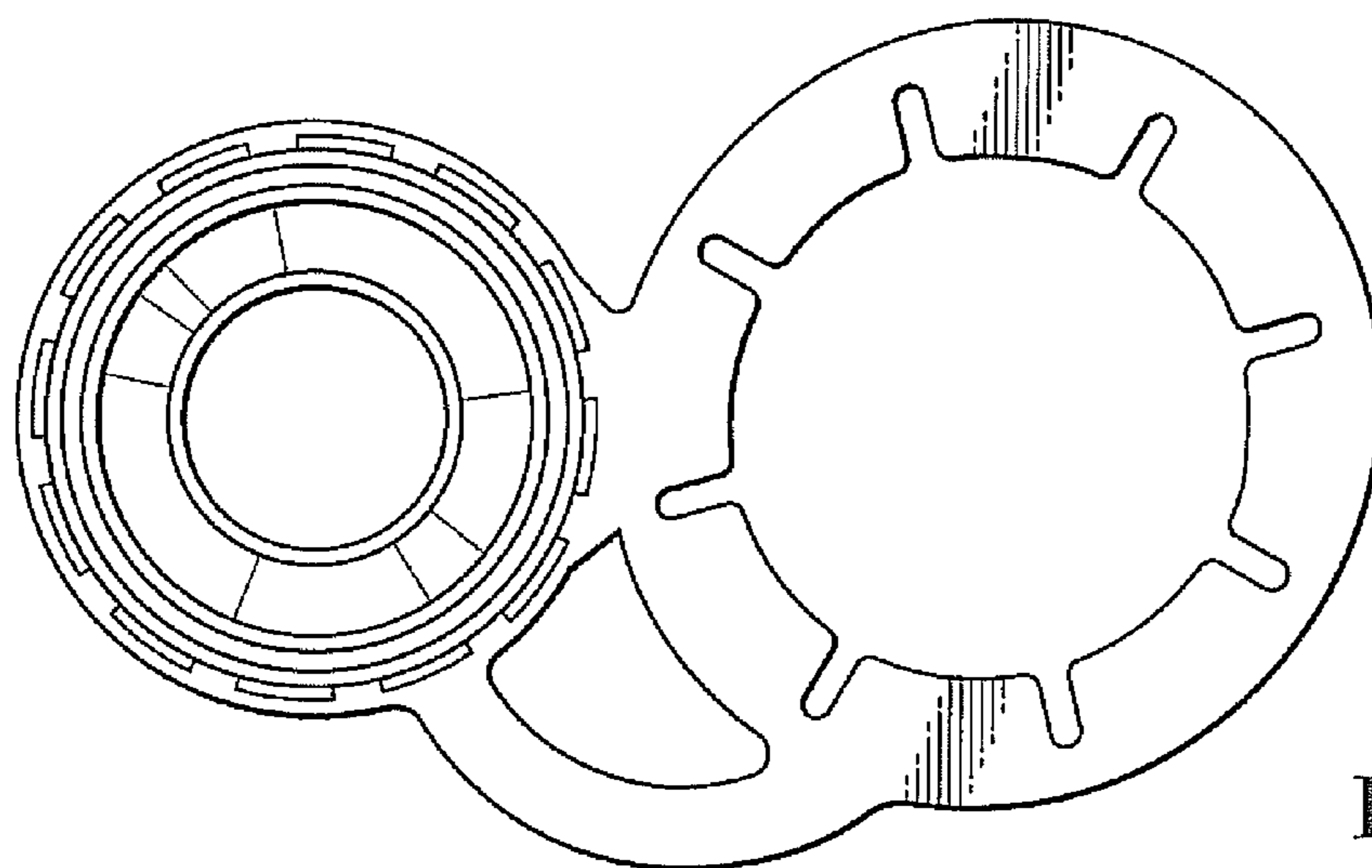


FIG. 6