



US00D684859S

(12) **United States Design Patent**  
**Vernon et al.**

(10) **Patent No.:** **US D684,859 S**  
(45) **Date of Patent:** **\*\* Jun. 25, 2013**

(54) **FOOD CONTAINER**

(71) Applicant: **Eco-Products, Inc.**, Boulder, CO (US)

(72) Inventors: **Luke Vernon**, Boulder, CO (US); **Paul Santoski**, Boulder, CO (US); **Steve Rosse**, Boulder, CO (US)

(73) Assignee: **Eco-Products, Inc.**, Boulder, CO (US)

(\*\*) Term: **14 Years**

(21) Appl. No.: **29/434,124**

(22) Filed: **Oct. 10, 2012**

(51) **LOC (9) Cl.** ..... **09-07**

(52) **U.S. Cl.**  
USPC ..... **D9/434**

(58) **Field of Classification Search**  
USPC .... D9/430-433, 414, 418, 420-424; D3/272,  
D3/273, 302; 206/267, 269, 270, 273, 299,  
206/737, 740, 822; 229/100, 101, 101.3,  
229/106, 108-112  
See application file for complete search history.

(56) **References Cited**

**U.S. PATENT DOCUMENTS**

3,412,889 A \* 11/1968 Eicholtz et al. .... 220/788  
D348,394 S \* 7/1994 Dreyer ..... D9/425  
D352,897 S \* 11/1994 Jackson ..... D9/431  
D422,412 S \* 4/2000 Greene ..... D3/314

D519,366 S \* 4/2006 Epstein ..... D9/431  
D561,023 S \* 2/2008 Jacxsens ..... D9/431  
D675,920 S \* 2/2013 Sill ..... D9/432

\* cited by examiner

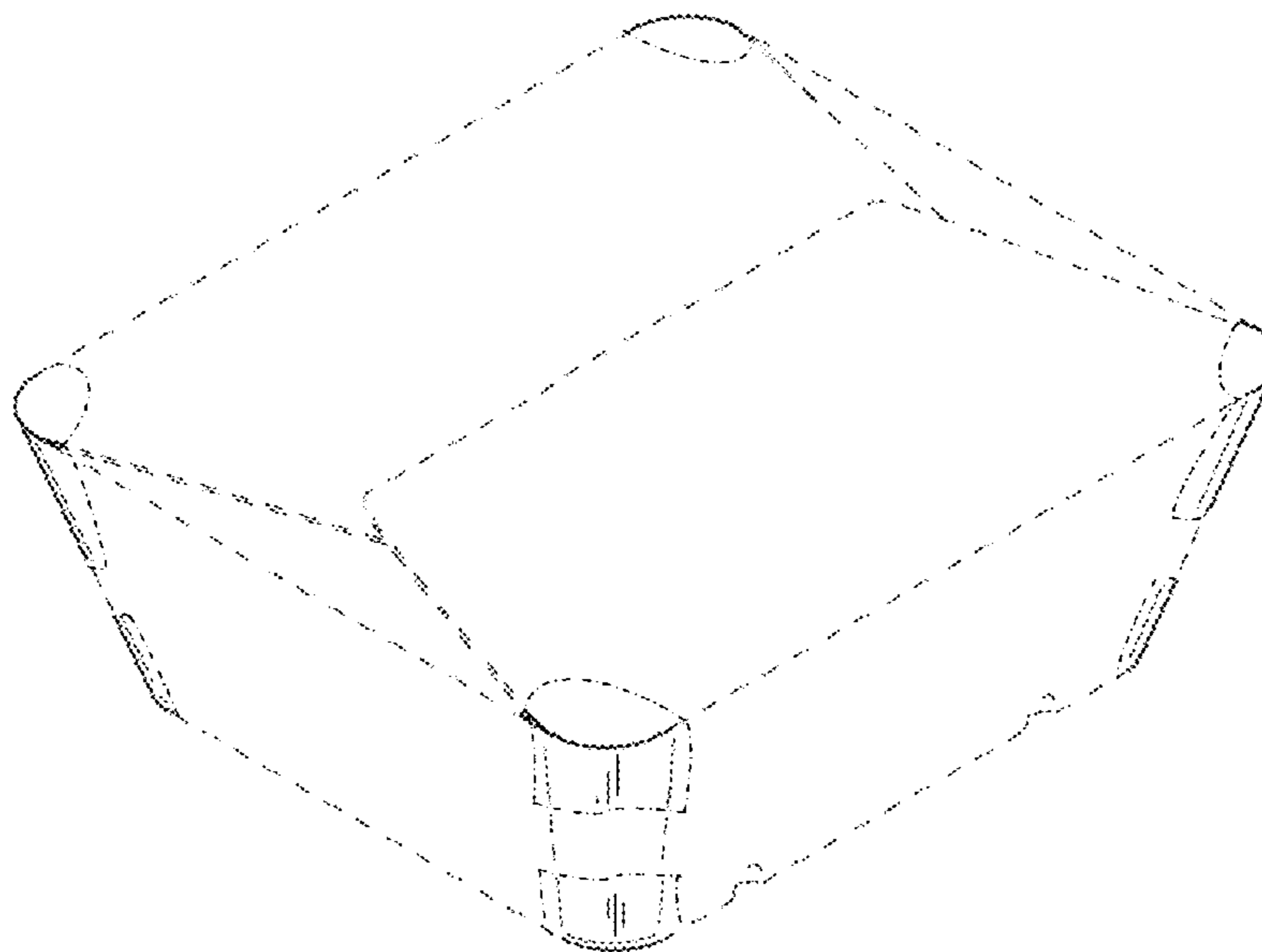
*Primary Examiner* — Susan Bennett Hattan  
*Assistant Examiner* — Vy Koenig  
(74) *Attorney, Agent, or Firm* — Holland & Hart LLP

(57) **CLAIM**  
The ornamental design for a food container, as shown and described.

**DESCRIPTION**

FIG. 1 is a top perspective view of the food container, showing our new design;  
FIG. 2 is a front elevation view of the design illustrated in FIG. 1;  
FIG. 3 is a rear elevation view of the design illustrated in FIG. 1;  
FIG. 4 is a right side elevation view of the design illustrated in FIG. 1;  
FIG. 5 is a left side elevation view of the design illustrated in FIG. 1;  
FIG. 6 is a top plan view of the design illustrated in FIG. 1;  
FIG. 7 is a bottom plan view of the design illustrated in FIG. 1; and,  
FIG. 8 is a top perspective view of the design illustrated in FIG. 1 showing the flaps of the design in an alternate position. The uneven broken lines in FIGS. 1-8 represent the bounds of the claimed design, while all other broken lines are for illustrative purposes only. The broken lines form no part of the claimed design.

**1 Claim, 6 Drawing Sheets**



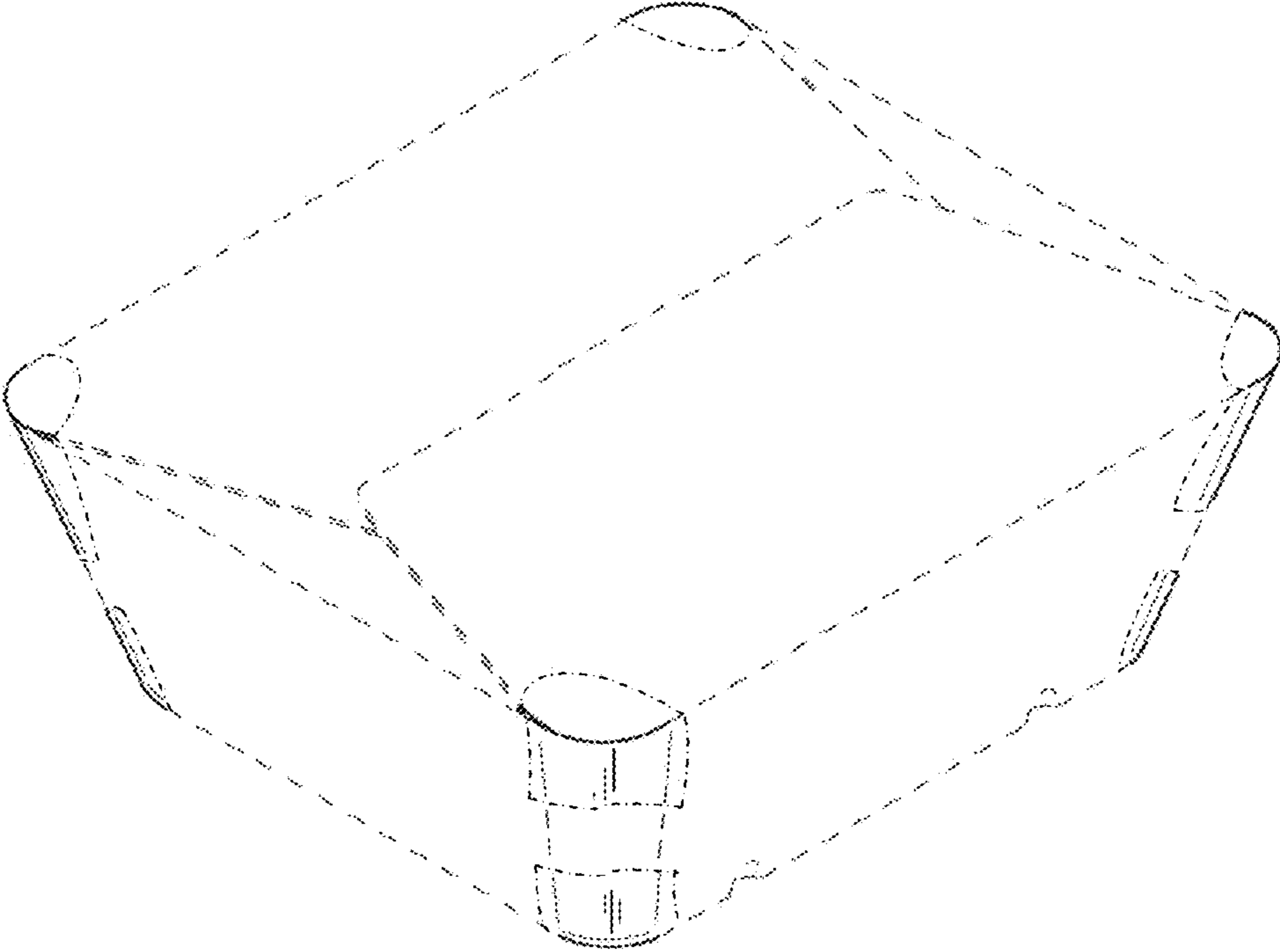


FIG. 1

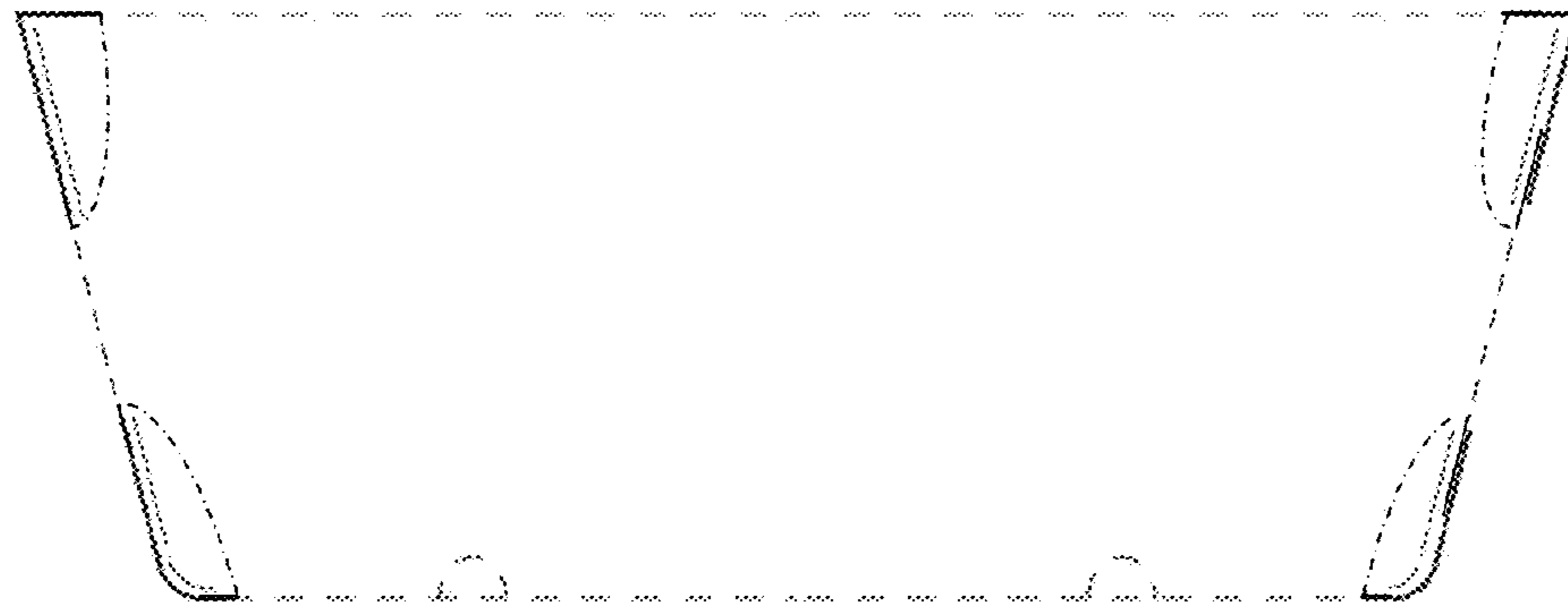


FIG. 2

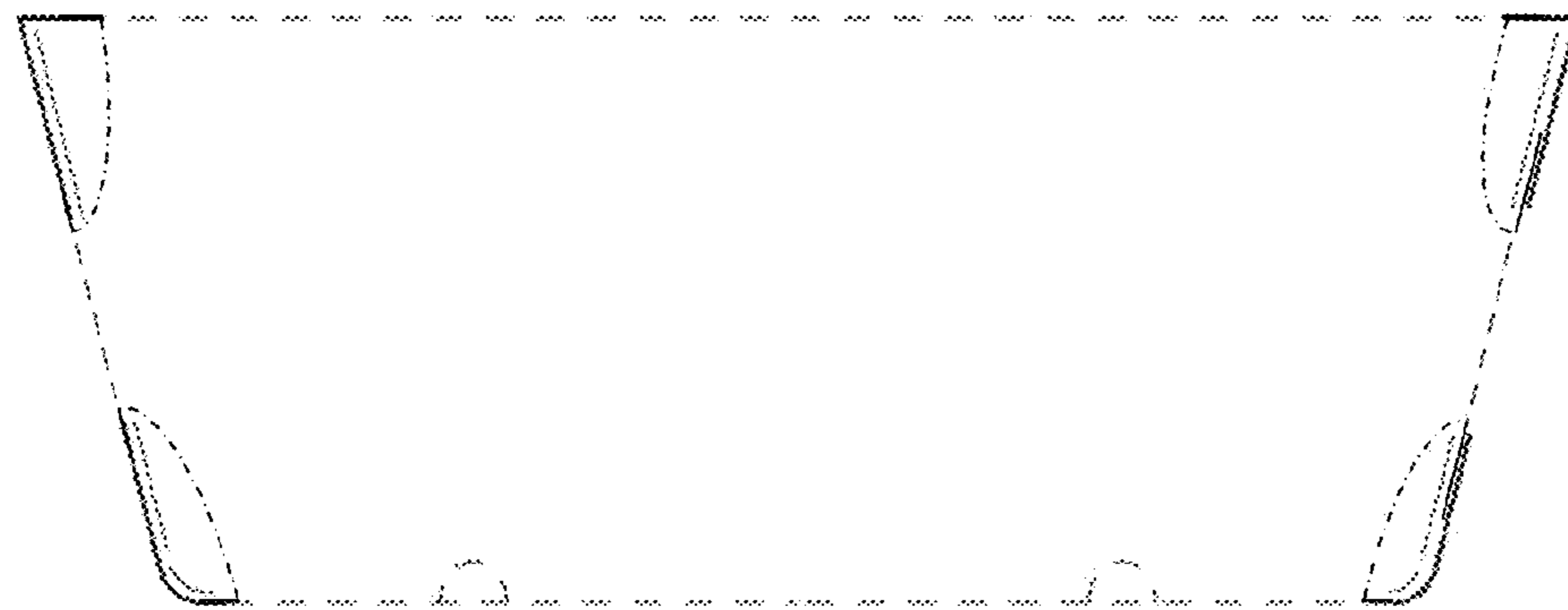


FIG. 3

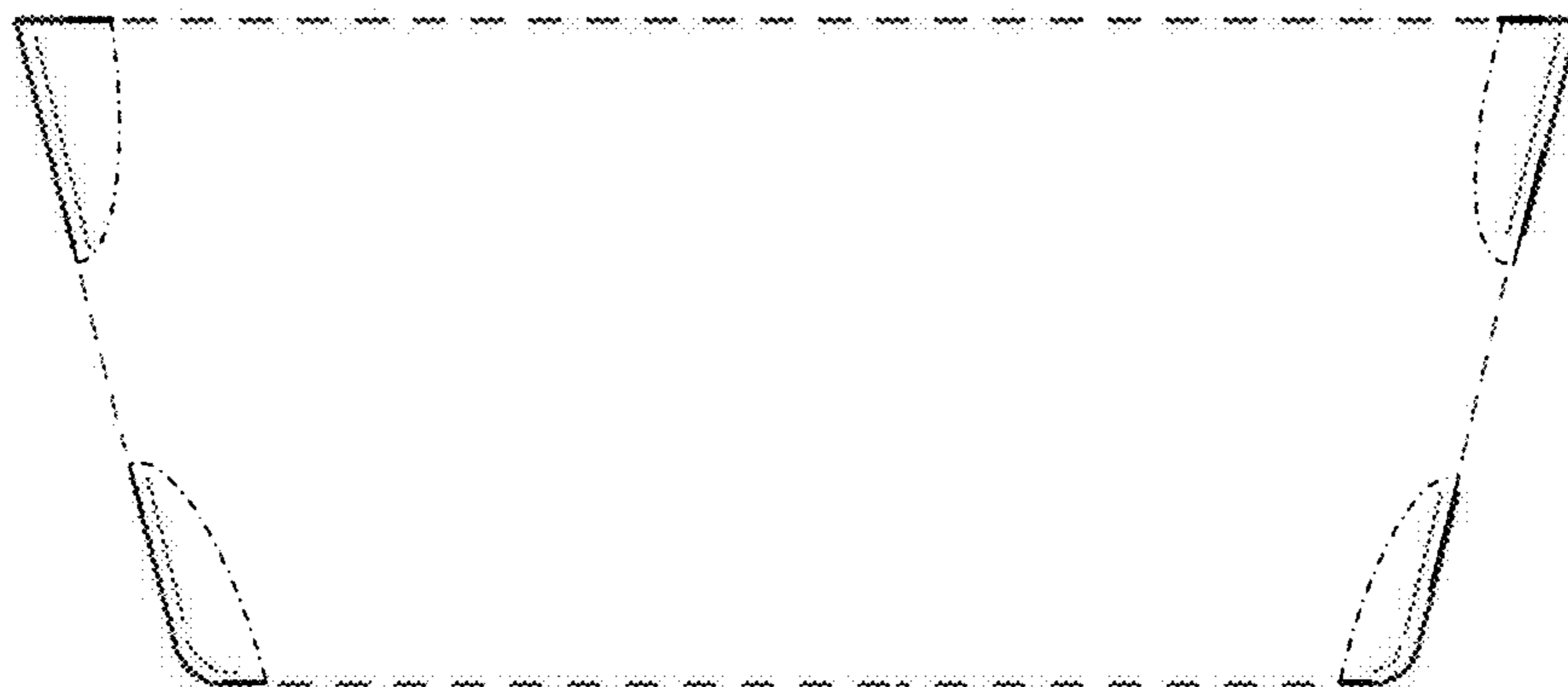


FIG. 4



FIG. 5

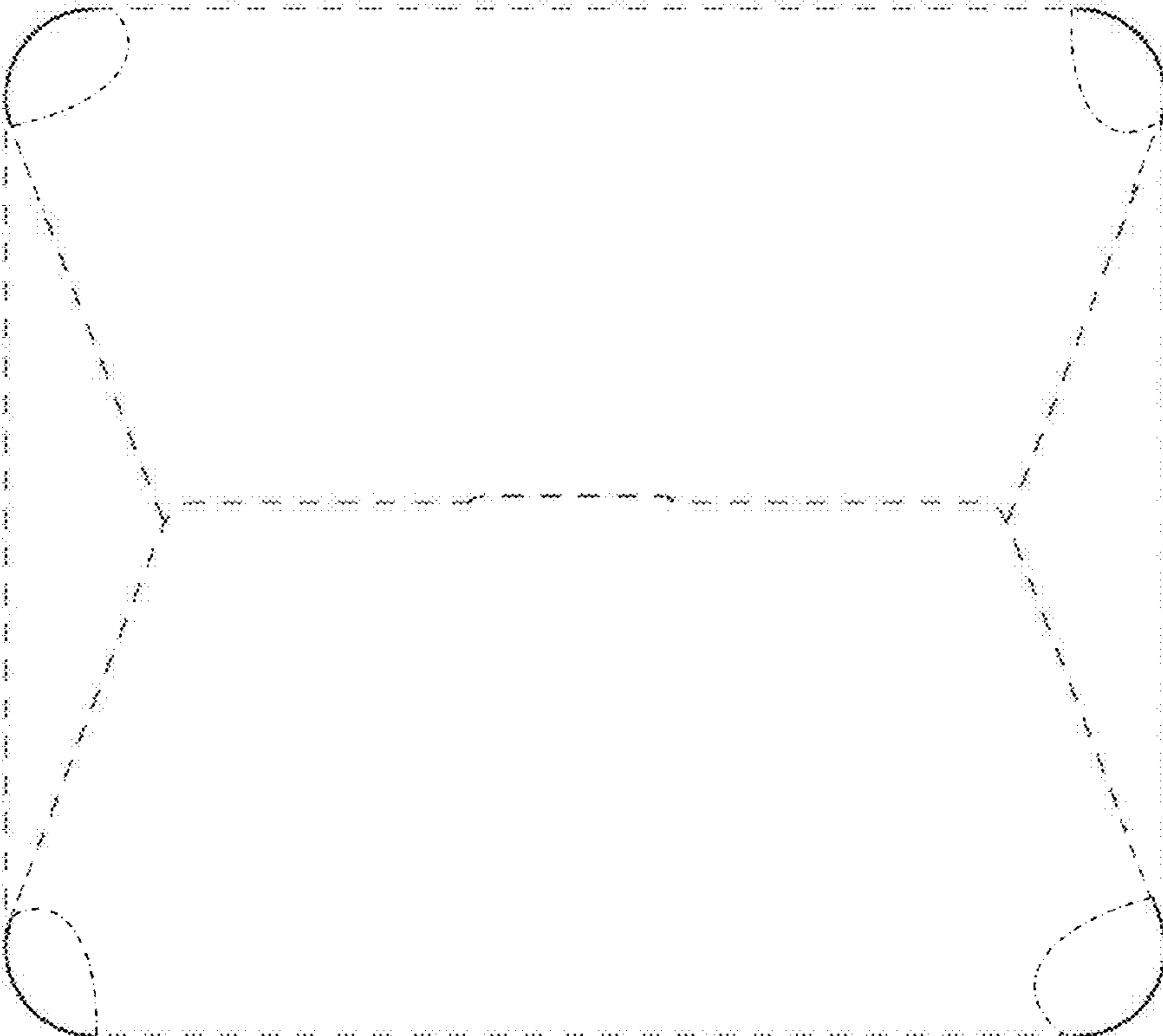


FIG. 6

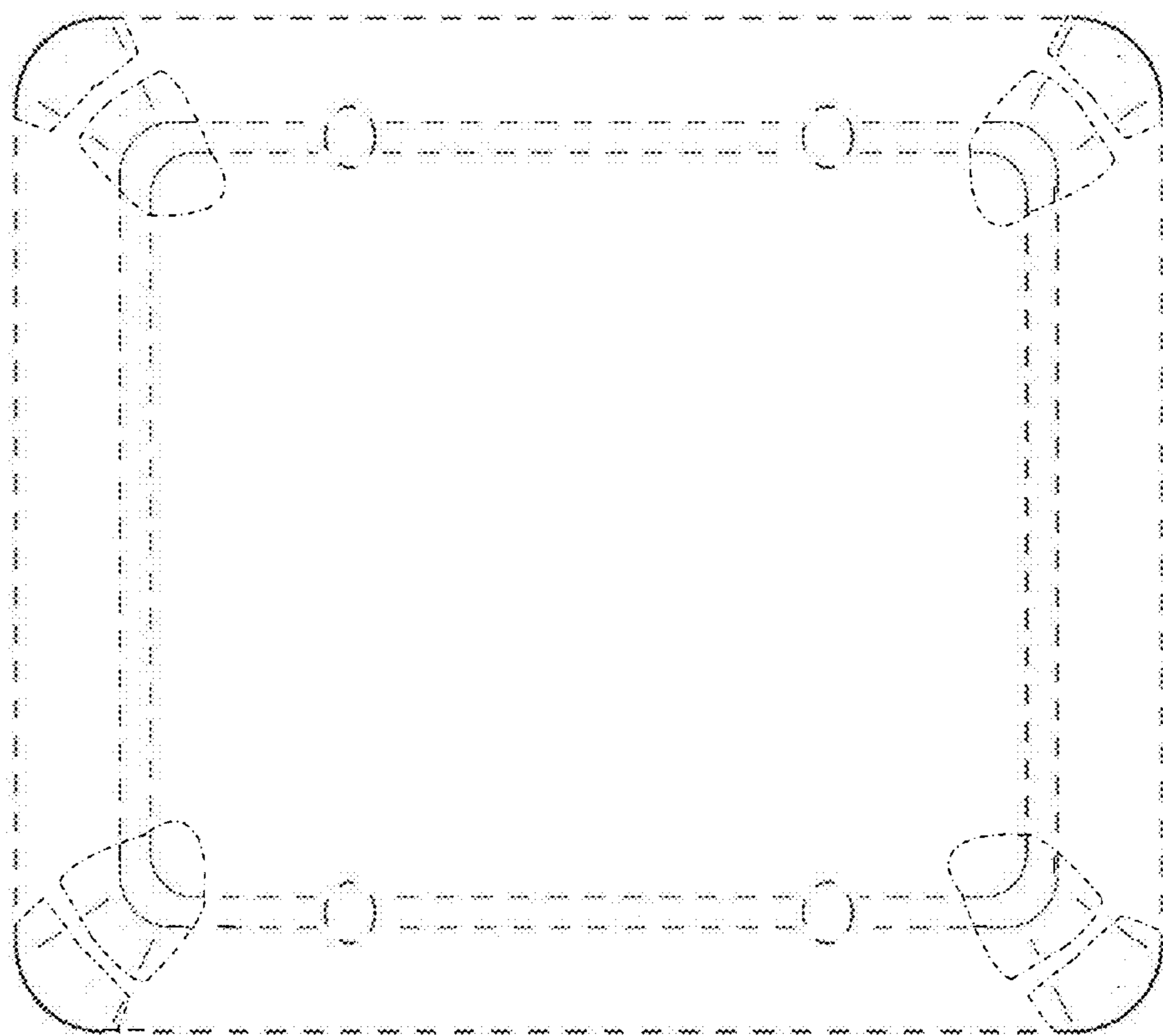


FIG. 7

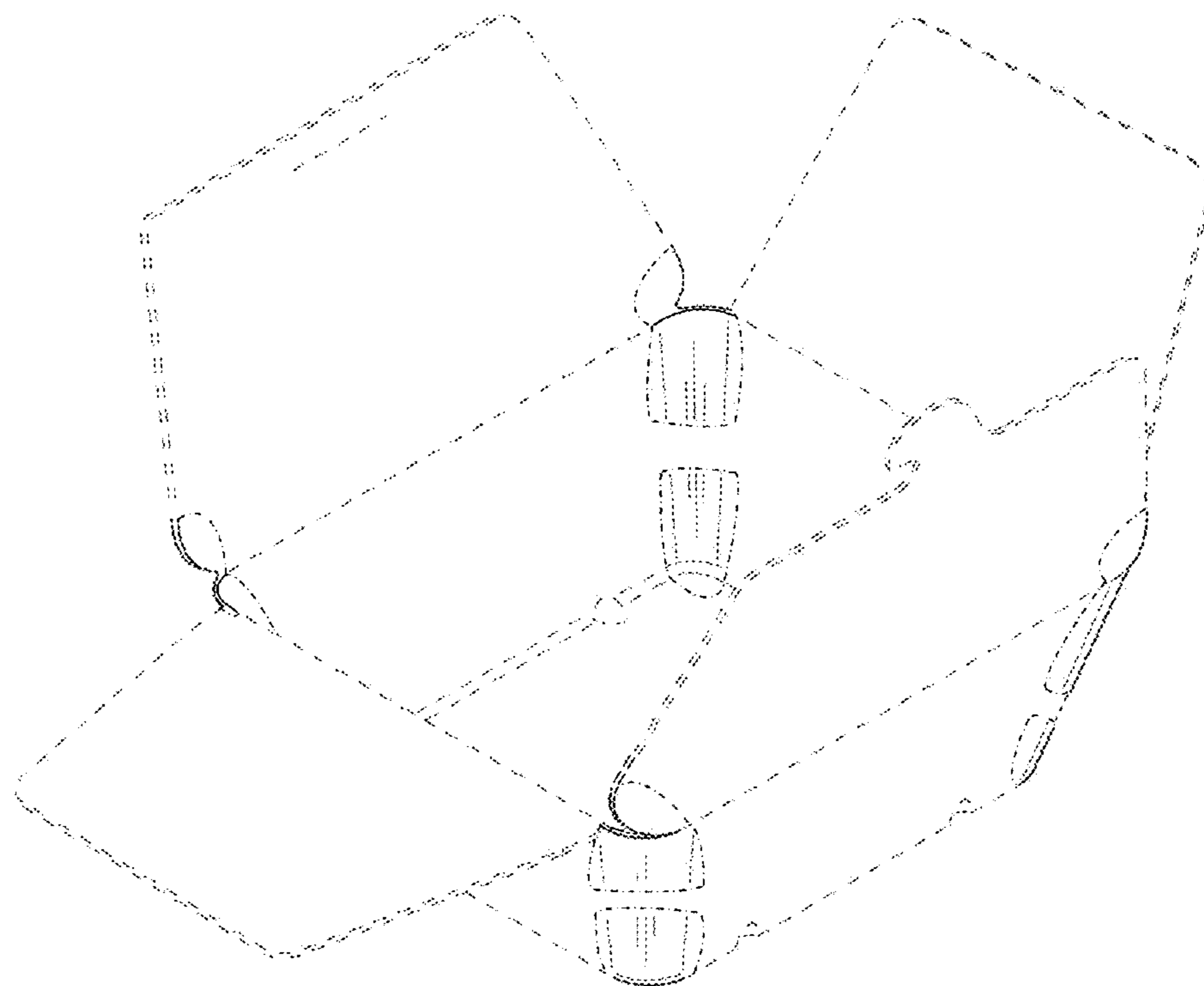


FIG. 8