



US00D684858S

(12) **United States Design Patent**
Sill

(10) **Patent No.:** **US D684,858 S**
(45) **Date of Patent:** **** Jun. 25, 2013**

(54) **CLOSEABLE CARTON**

(75) Inventor: **Jonathan D. Sill**, Powell, OH (US)

(73) Assignee: **Inno-Pak, LLC**, Delaware, OH (US)

(**) Term: **14 Years**

(21) Appl. No.: **29/409,393**

(22) Filed: **Dec. 22, 2011**

(51) **LOC (9) Cl.** **09-03**

(52) **U.S. Cl.**
USPC **D9/433; D9/421**

(58) **Field of Classification Search**
USPC D9/414-418, 420-425, 430-433,
D9/761; 206/457, 503, 508, 509, 551, 746,
206/784, 822; 229/100, 103.3, 105, 106,
229/108, 108.1, 109, 112-116, 120, 120.24,
229/126, 155, 162.1, 165, 167, 237, 247,
229/407, 902, 911, 915, 916, 919, 922, 938
See application file for complete search history.

(56) **References Cited**

U.S. PATENT DOCUMENTS

| | | | | |
|-----------|-----|--------|-------------------|--------|
| 5,411,204 | A | 5/1995 | DeMay | |
| 5,873,220 | A * | 2/1999 | Haraldsson et al. | 53/456 |
| D519,366 | S * | 4/2006 | Epstein | D9/431 |
| D631,741 | S * | 2/2011 | Hubbard et al. | D9/433 |
| D631,742 | S * | 2/2011 | Hubbard et al. | D9/433 |

| | | | | |
|--------------|------|---------|----------------|---------|
| D631,743 | S * | 2/2011 | Hubbard et al. | D9/433 |
| 8,061,585 | B2 * | 11/2011 | Nikolai et al. | 229/126 |
| D675,920 | S * | 2/2013 | Sill | D9/432 |
| 2004/0182916 | A1 * | 9/2004 | Roseth | 229/155 |

* cited by examiner

Primary Examiner — Thomas Johannes

(74) *Attorney, Agent, or Firm* — Ward and Smith, P.A.

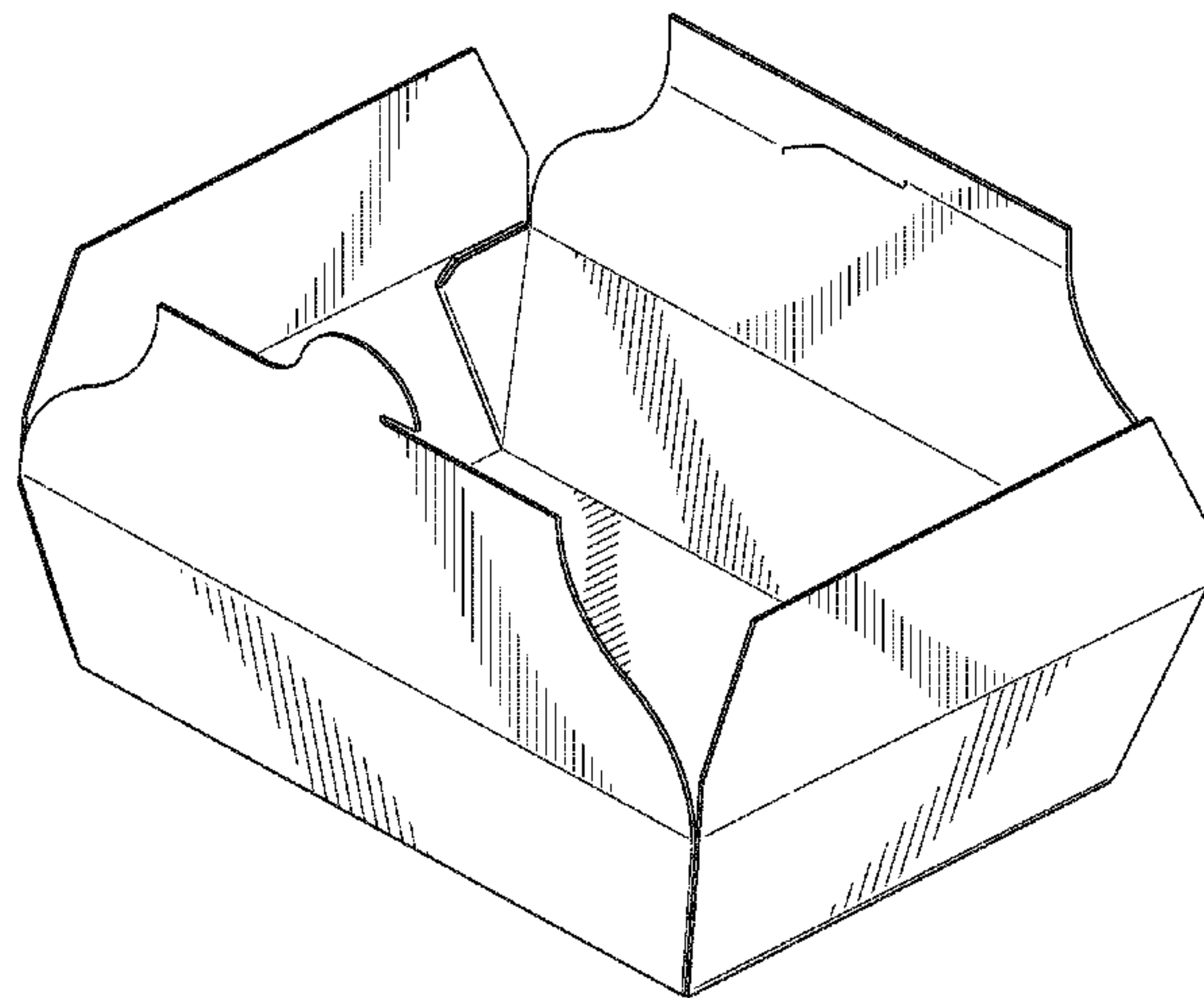
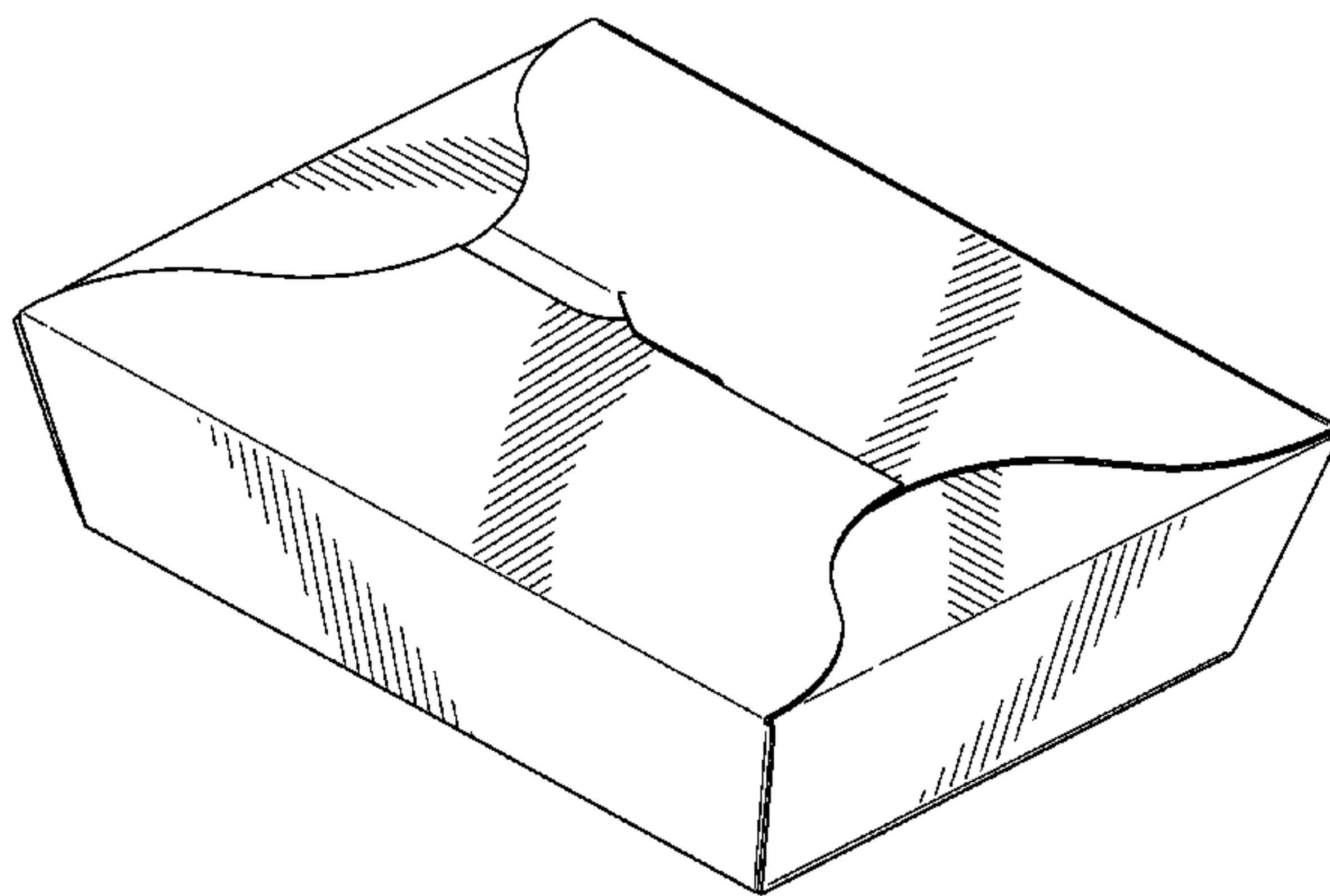
(57) **CLAIM**

The ornamental design for a closeable carton, as shown and described.

DESCRIPTION

FIG. 1 is a perspective view of a closeable carton showing a new design;
FIG. 2 is a right side elevation view thereof;
FIG. 3 is a left side elevation view thereof;
FIG. 4 is a front elevation view thereof;
FIG. 5 is a rear elevation view thereof;
FIG. 6 is a top plan view thereof;
FIG. 7 is a bottom plan view thereof;
FIG. 8 is a cross-section view taken on line 8-8 of FIG. 6;
FIG. 9 is a cross-section view taken on line 9-9 of FIG. 6;
FIG. 10 is another perspective view thereof, showing the closeable carton in an alternate open configuration; and,
FIG. 11 is another top plan view thereof, showing the closeable carton in an alternate blank configuration.

1 Claim, 8 Drawing Sheets



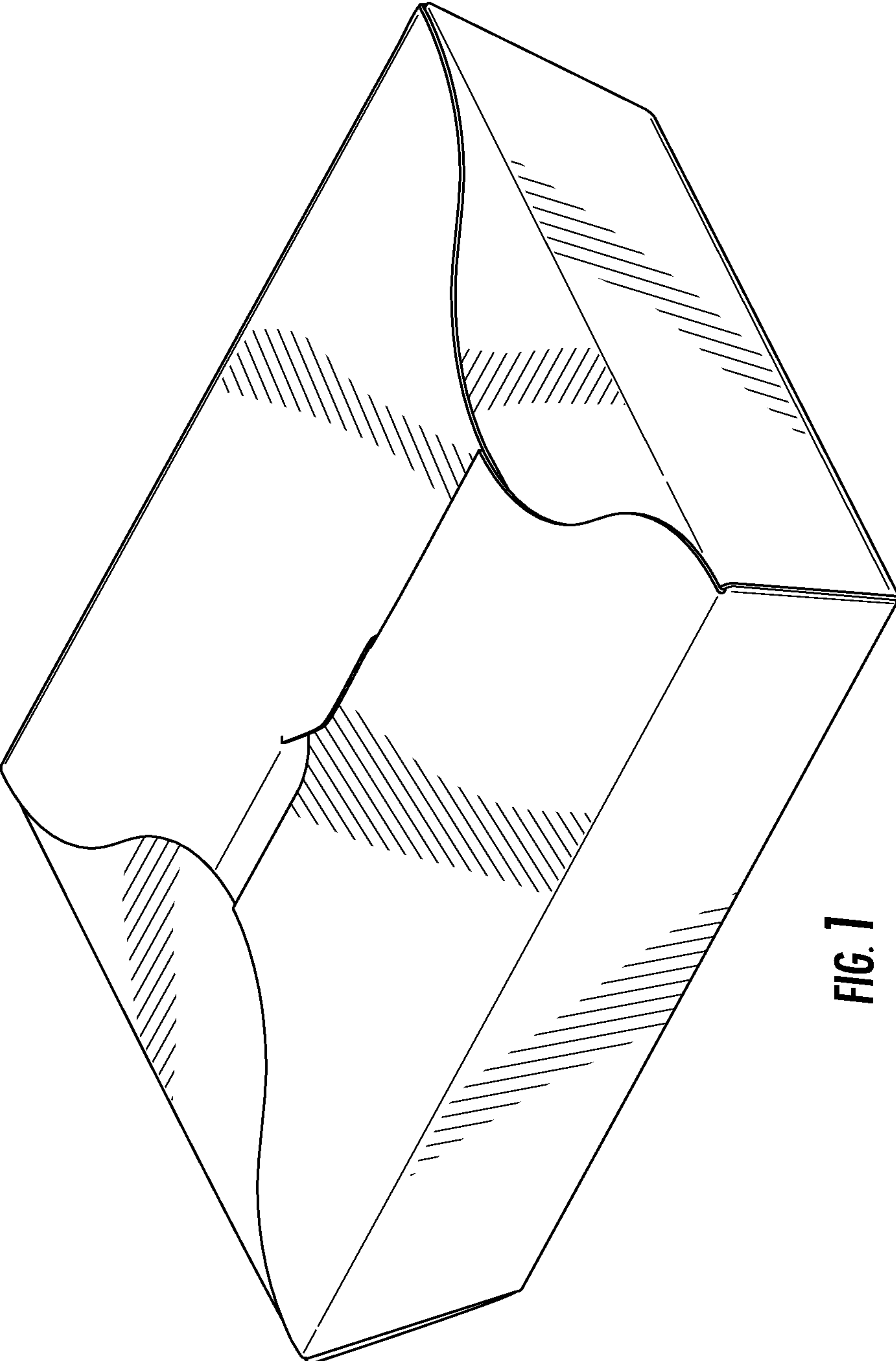


FIG. 1

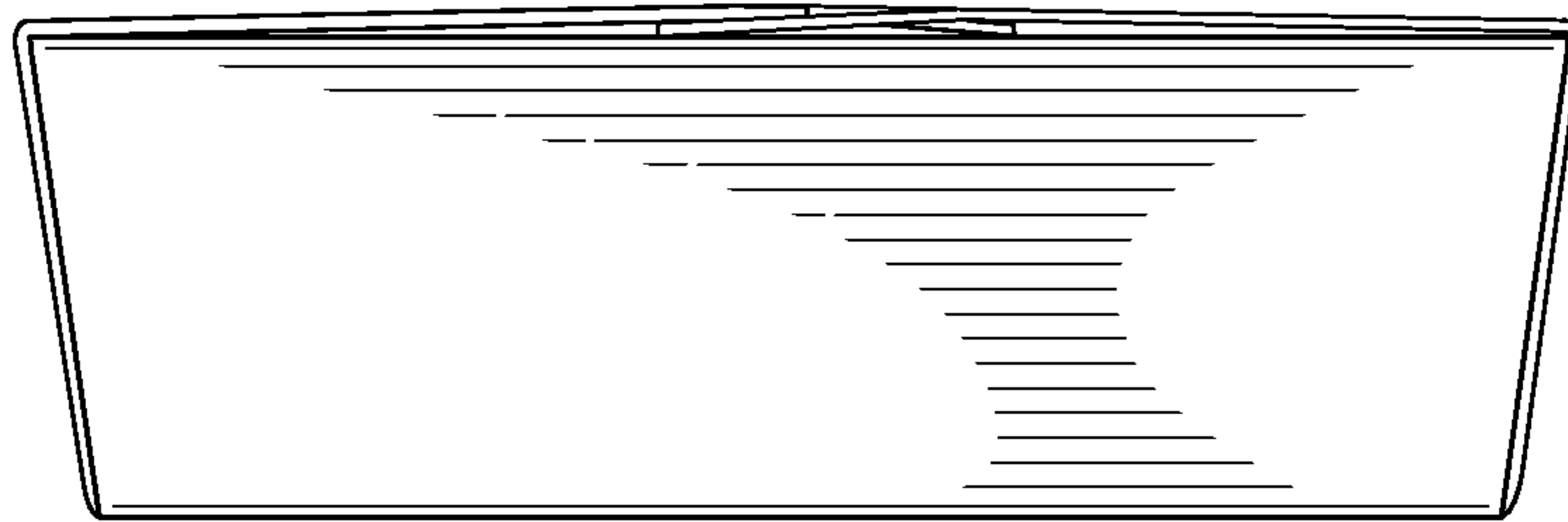


FIG. 2

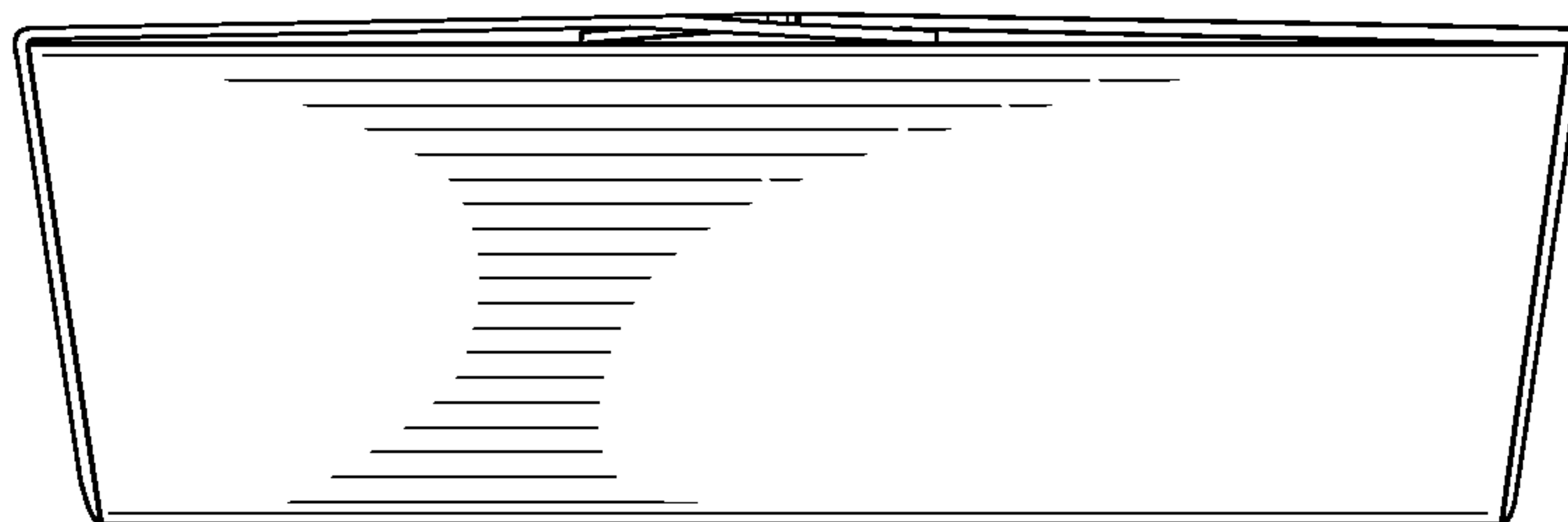


FIG. 3

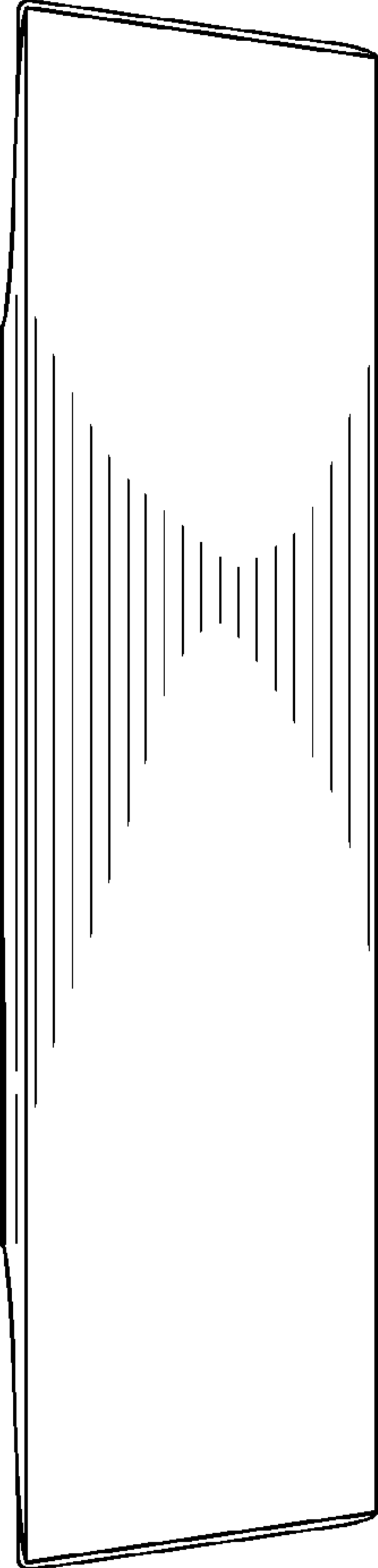


FIG. 4

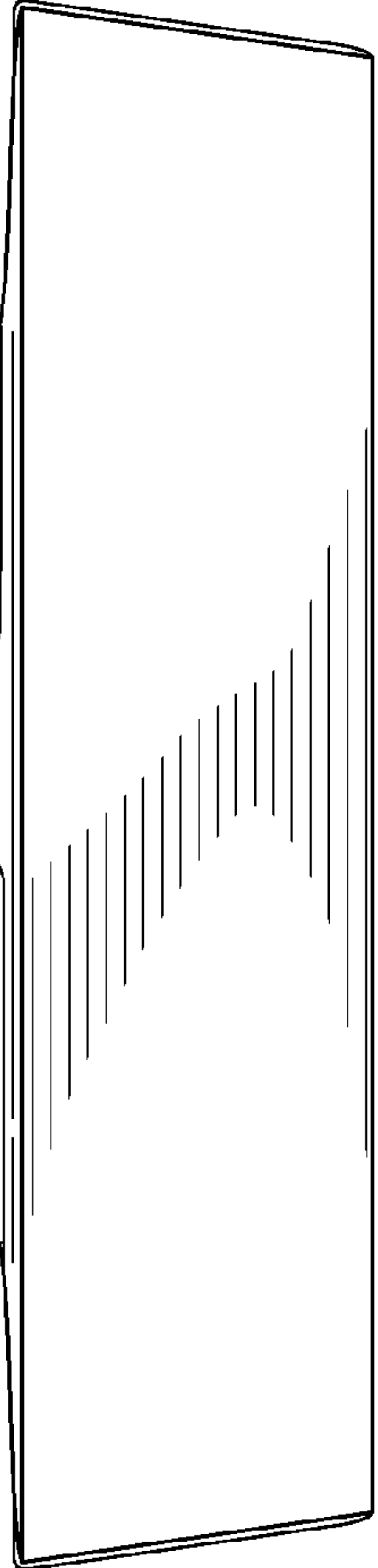


FIG. 5

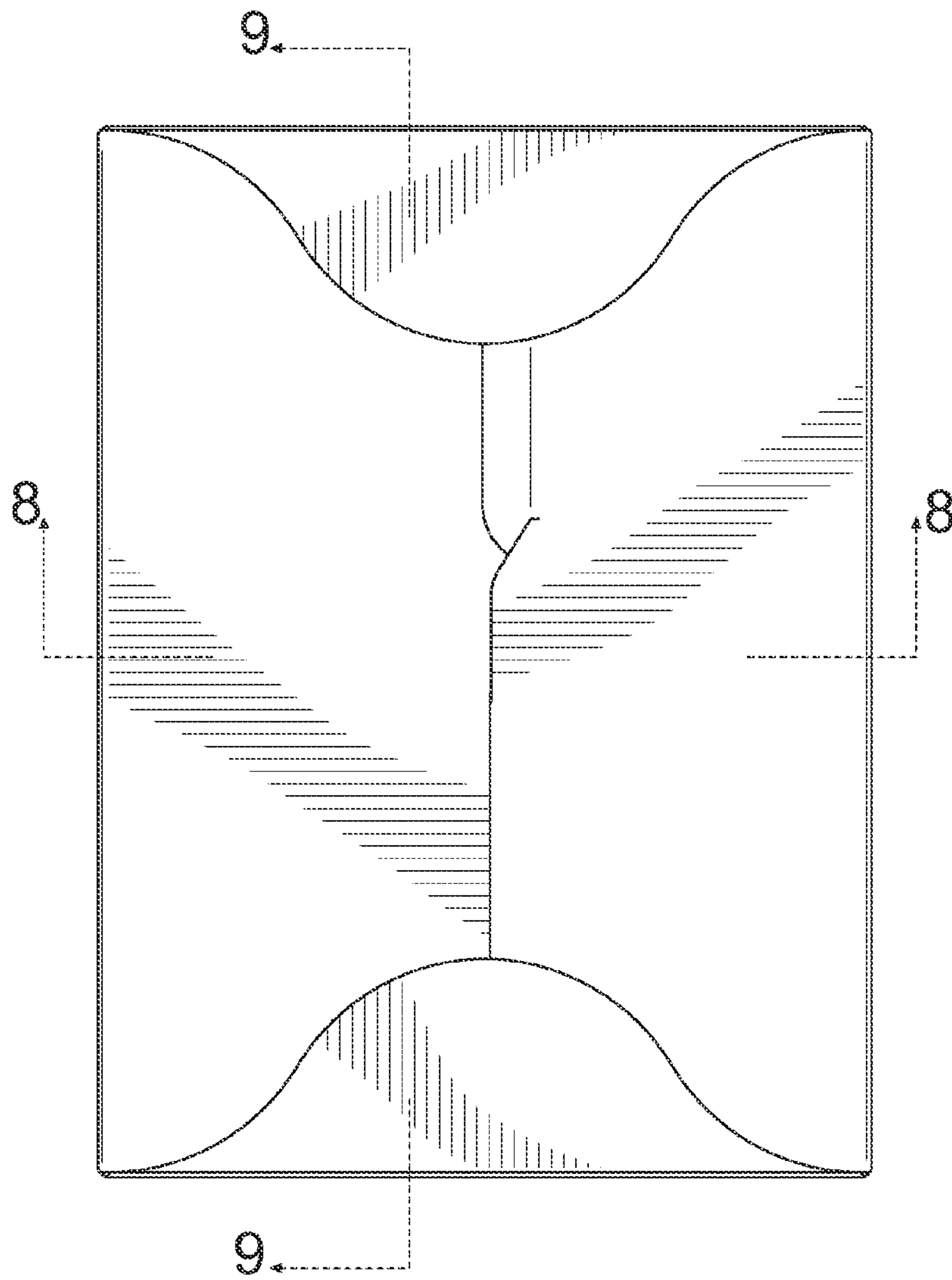


FIG. 6

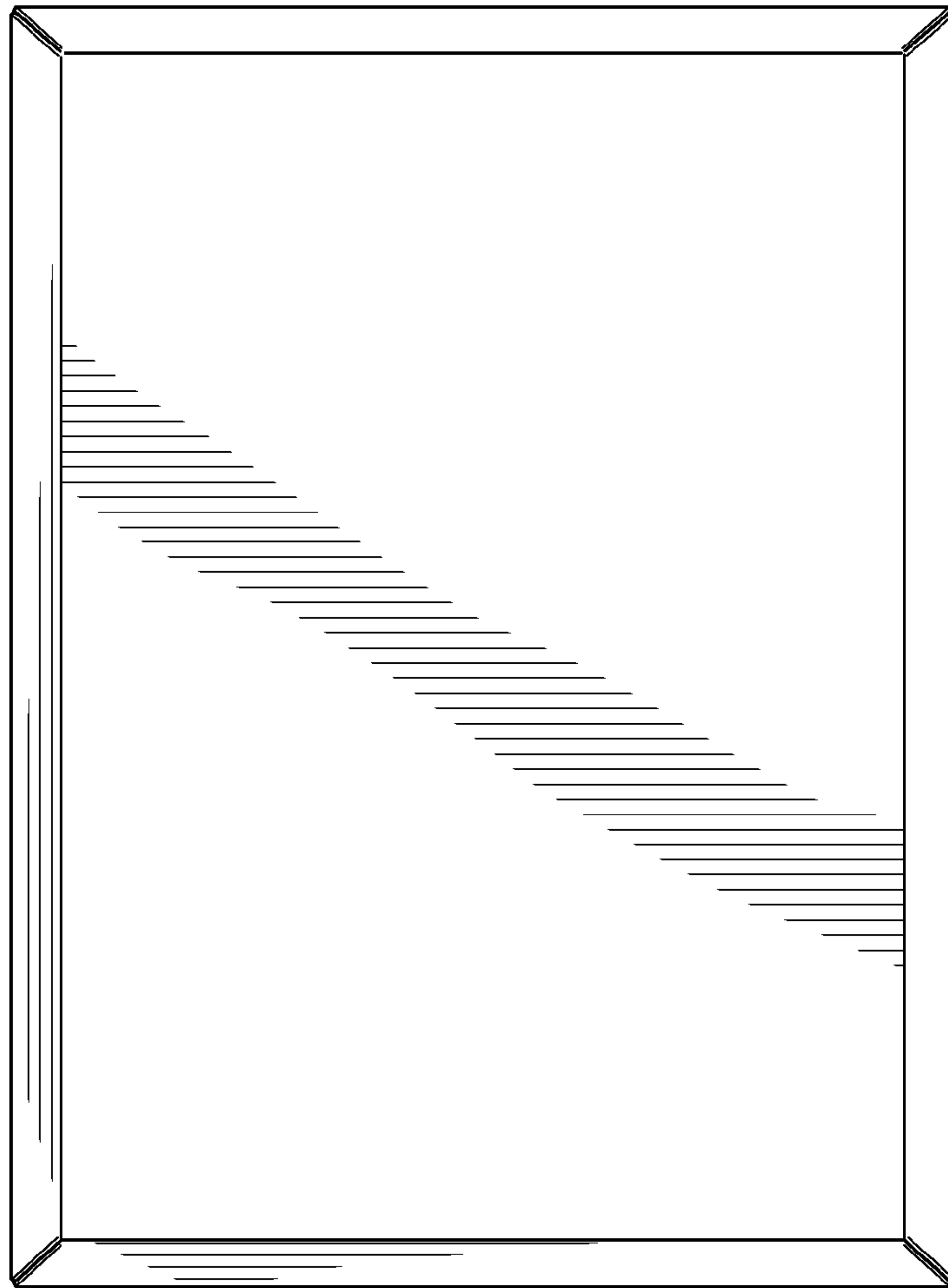


FIG. 7

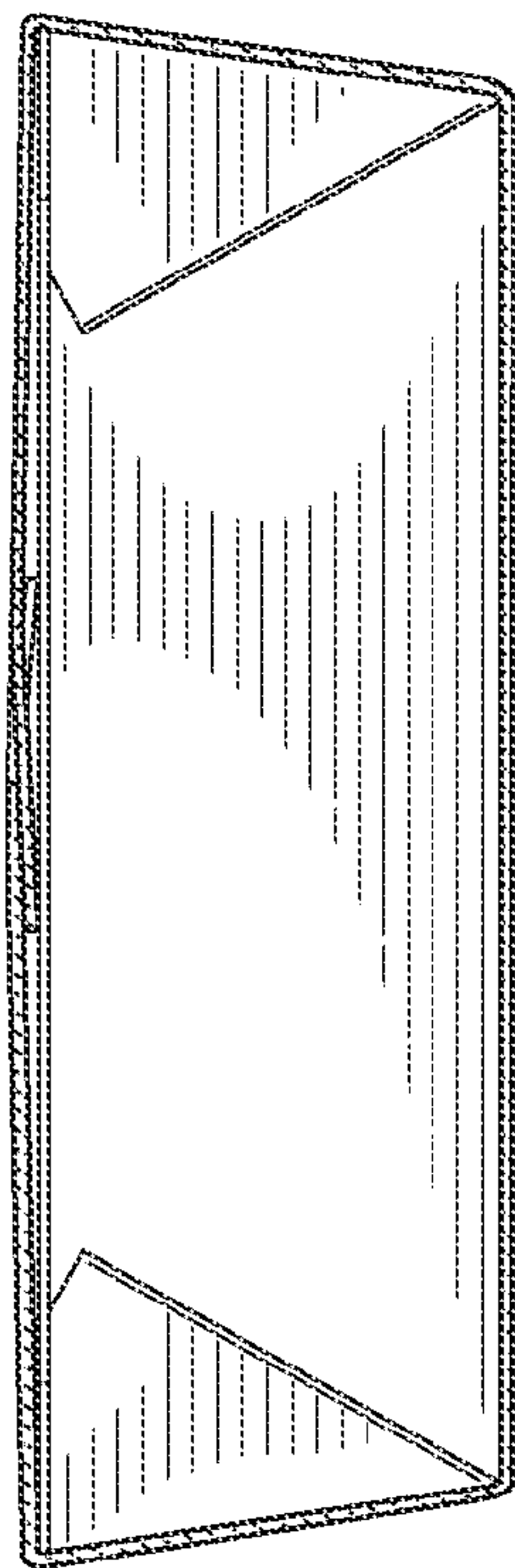


FIG. 8

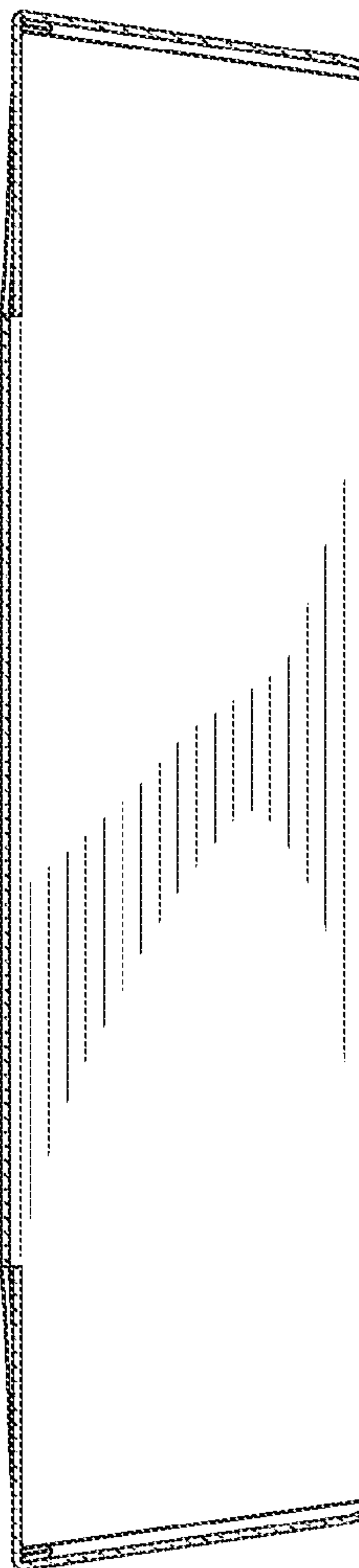


FIG. 9

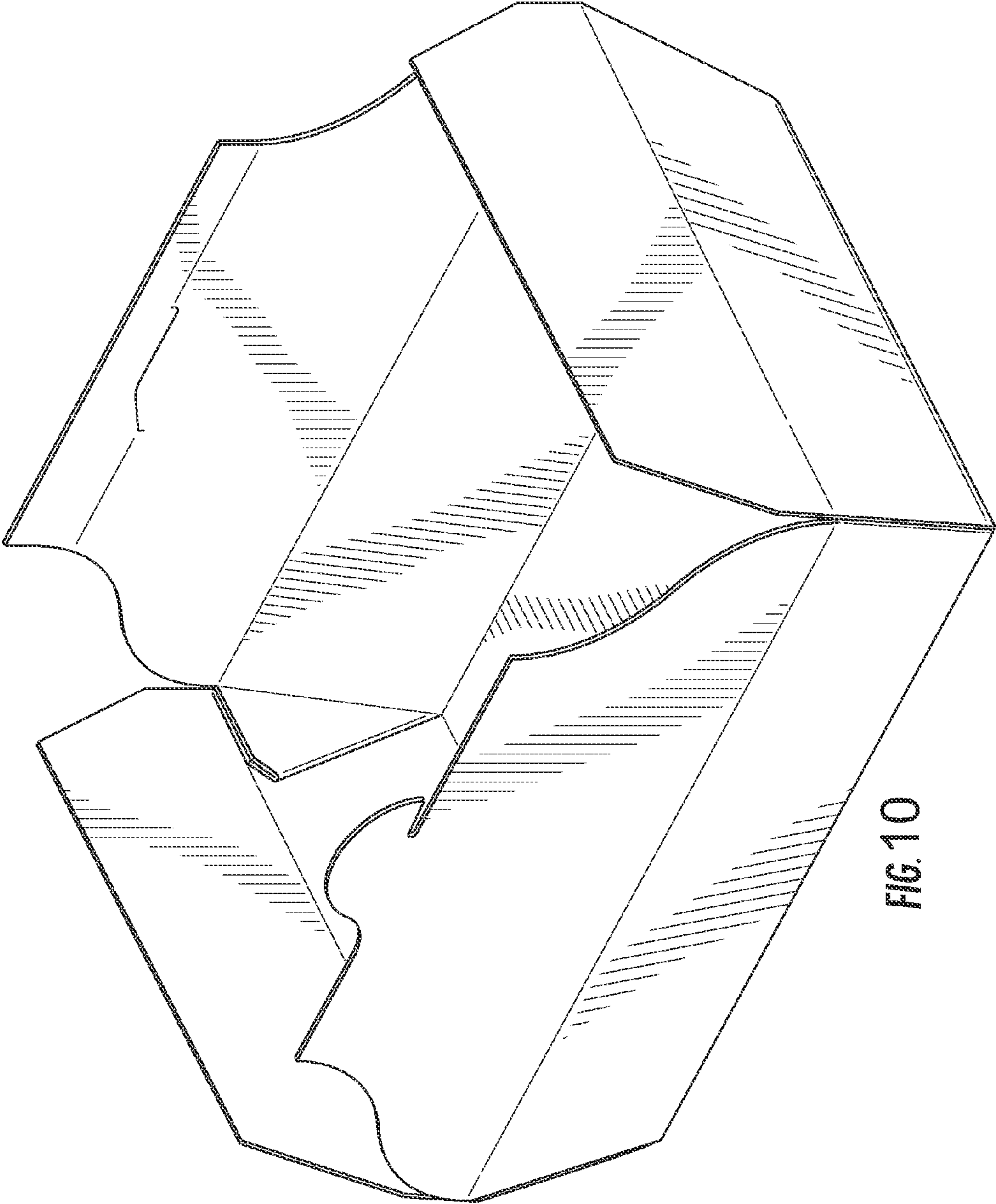


FIG. 10

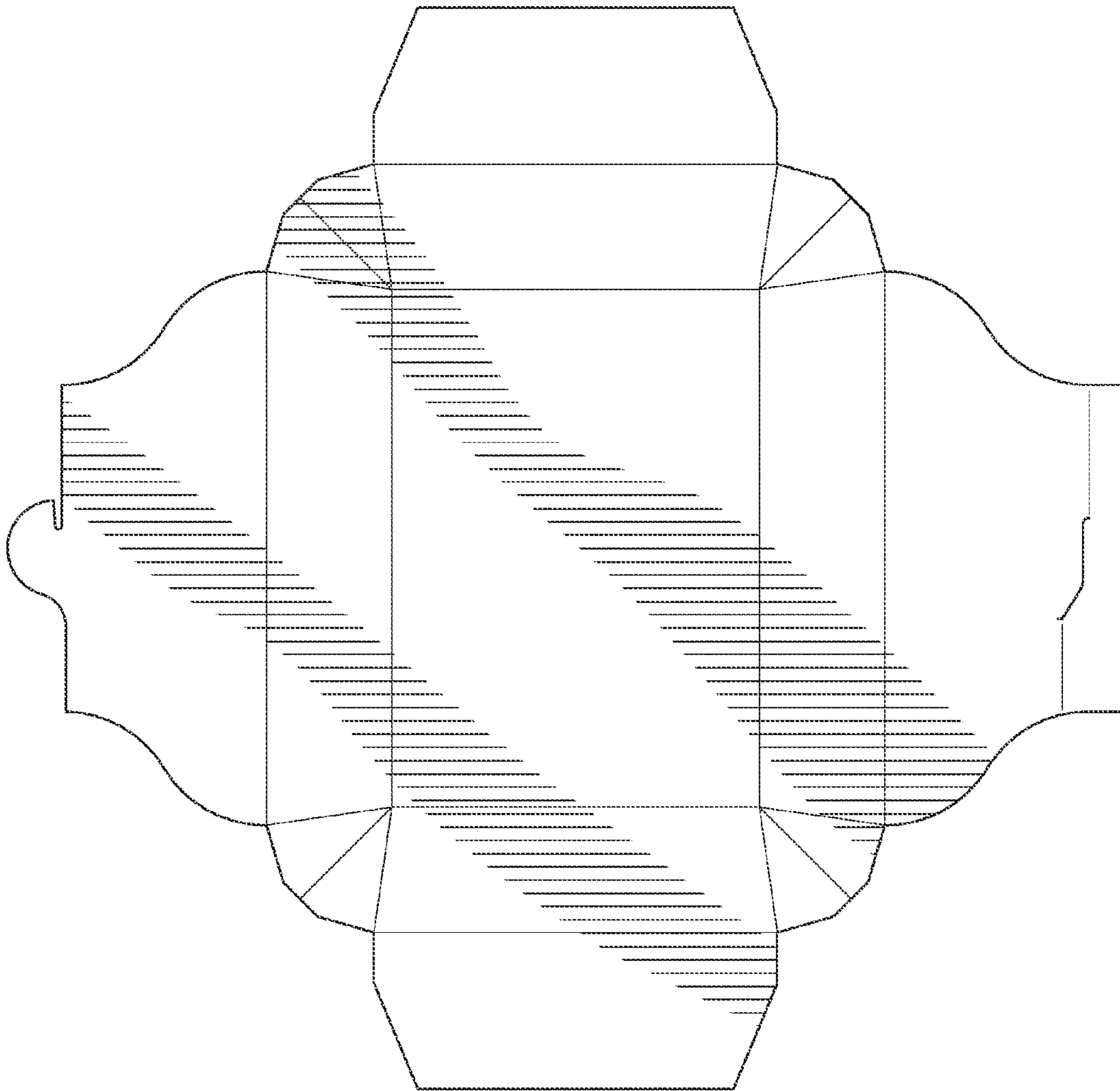


FIG. 11