



US00D684857S

(12) **United States Design Patent**
Zhen

(10) **Patent No.:** **US D684,857 S**
(45) **Date of Patent:** **** Jun. 25, 2013**

- (54) **RICE BOWL**
- (71) Applicant: **Felix Zhen**, Hayward, CA (US)
- (72) Inventor: **Felix Zhen**, Hayward, CA (US)
- (73) Assignee: **Felix Chen**, Hayward, CA (US)
- (**) Term: **14 Years**
- (21) Appl. No.: **29/434,526**
- (22) Filed: **Oct. 13, 2012**
- (51) **LOC (9) Cl.** **09-03**
- (52) **U.S. Cl.**
USPC **D9/429**
- (58) **Field of Classification Search**
USPC D9/424, 425, 428, 429, 431; D7/530,
D7/531, 608; 229/400-406, 932, 906.1;
220/656-659, 669-675, 912, 4.21-4.27;
206/499, 508, 557
See application file for complete search history.

- D539,137 S * 3/2007 Lin D9/429
- D546,672 S * 7/2007 Chou D9/429
- D565,907 S * 4/2008 de Groote et al. D7/601
- D638,290 S * 5/2011 Cimmerer et al. D9/429

* cited by examiner

Primary Examiner — Thomas Johannes

(74) *Attorney, Agent, or Firm* — James Cai; Schein & Cai LLP

(57) **CLAIM**

I claim the ornamental design for rice bowl, as shown and described.

DESCRIPTION

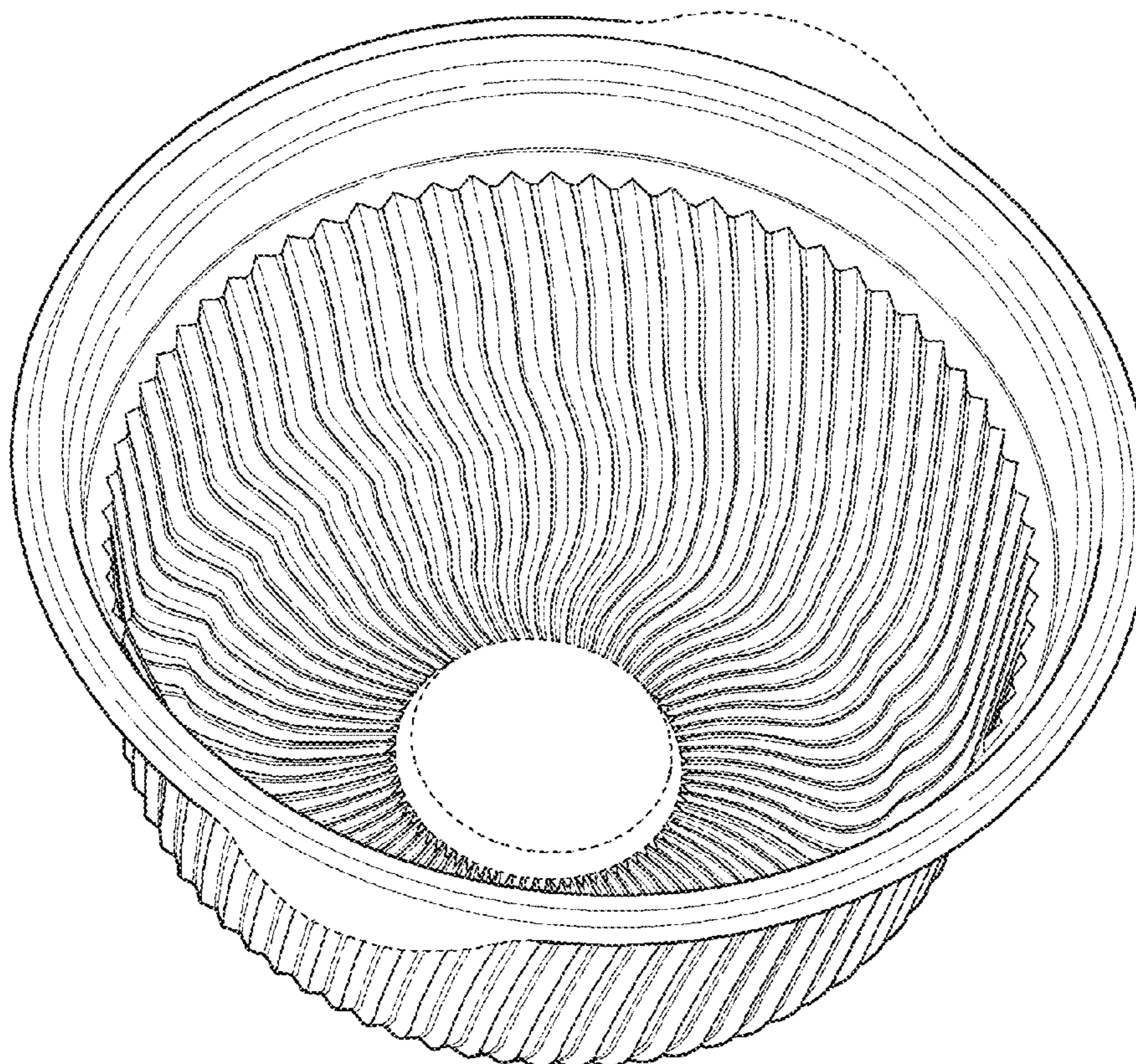
FIG. 1 is a top perspective view of a rice bowl showing my new design;
 FIG. 2 is a front view and rear view thereof;
 FIG. 3 is a right side view and left side view thereof;
 FIG. 4 is a top view thereof; and,
 FIG. 5 is a bottom view thereof.
 The broken line portion of the figure drawings is included to show unclaimed subject matter only and forms no part of the claimed design.

(56) **References Cited**

U.S. PATENT DOCUMENTS

- D75,525 S * 6/1928 Sebring D7/535
- D452,821 S * 1/2002 Westphal D9/429

1 Claim, 4 Drawing Sheets



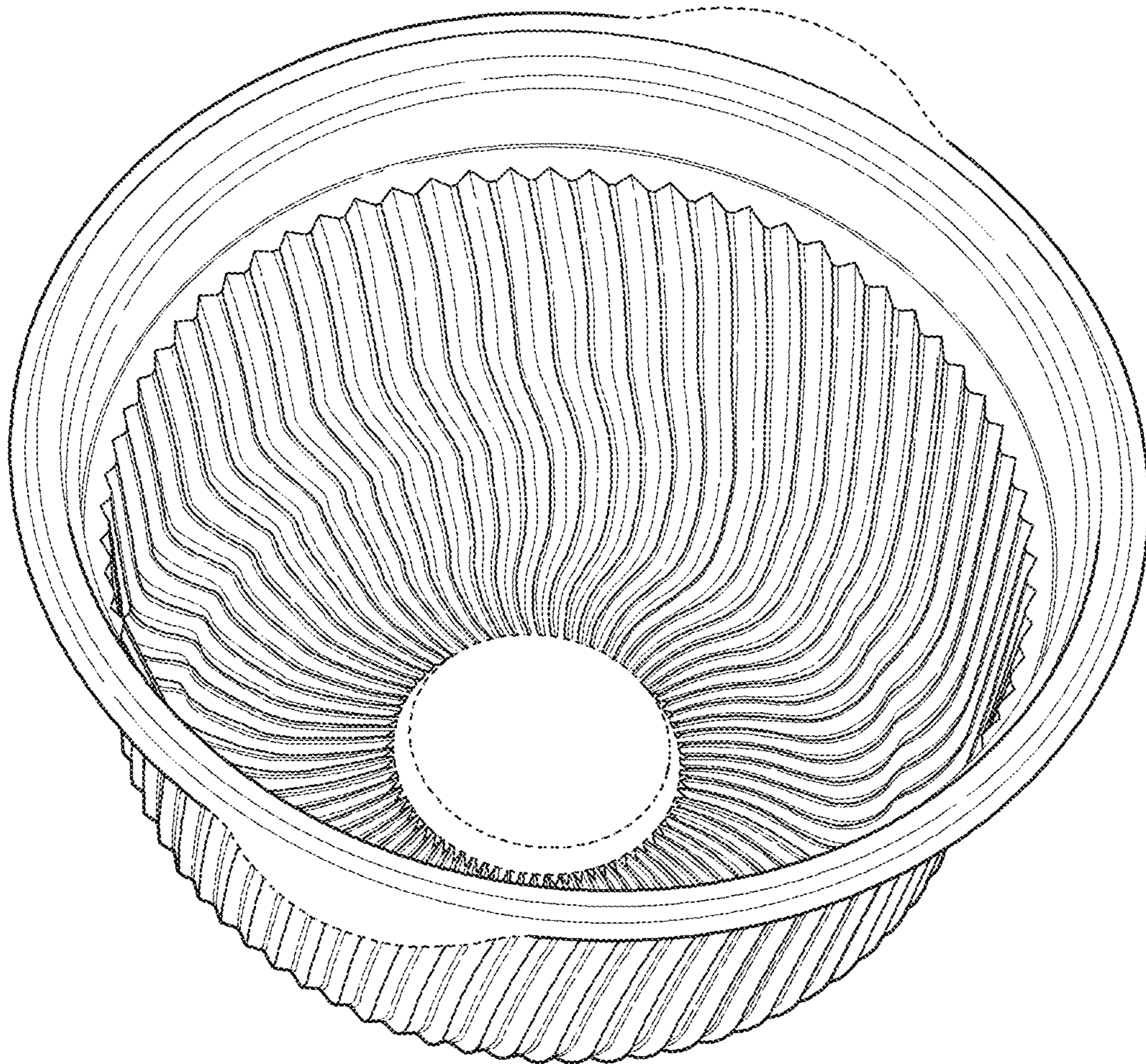


FIG. 1

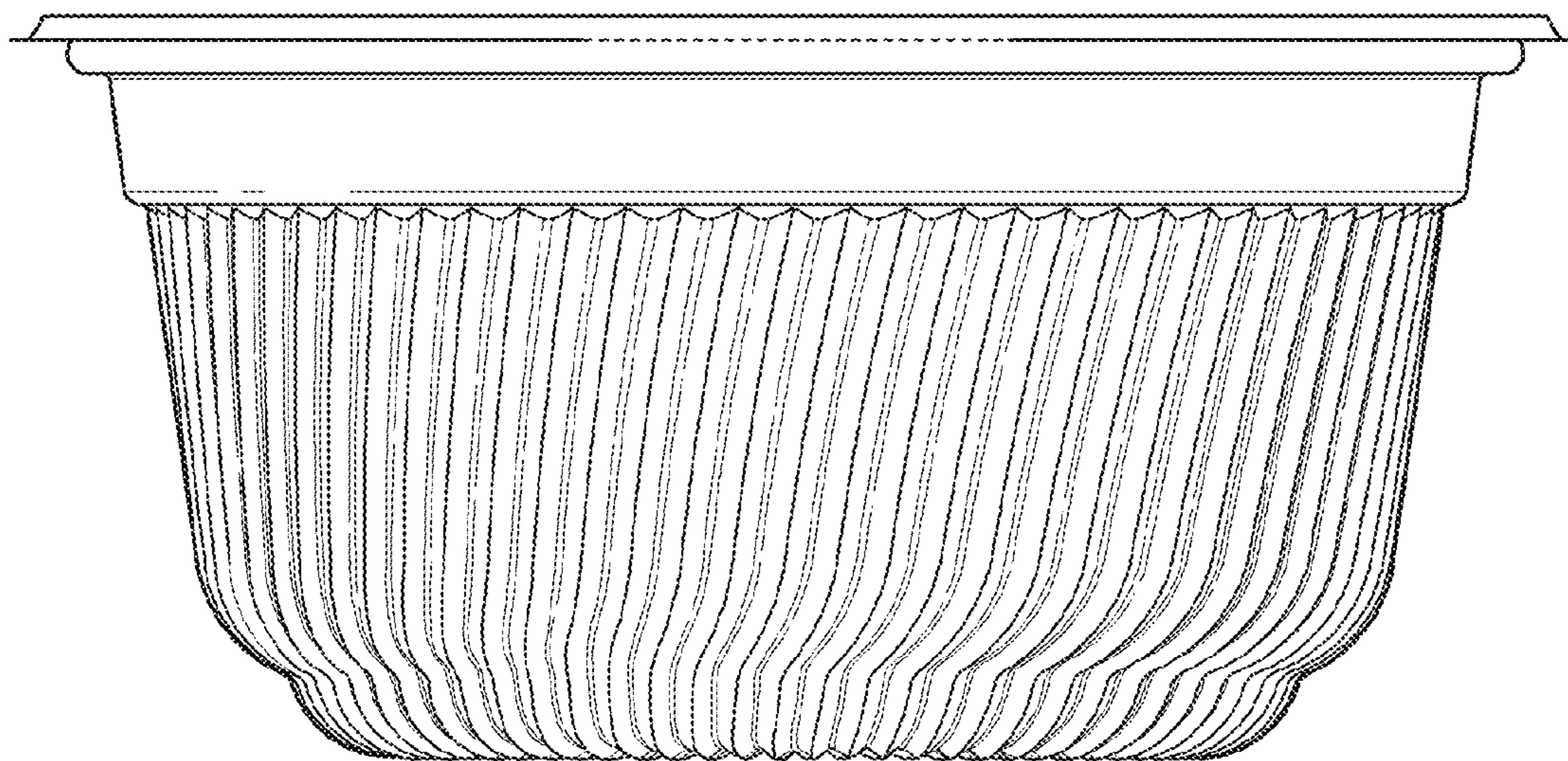


FIG. 2

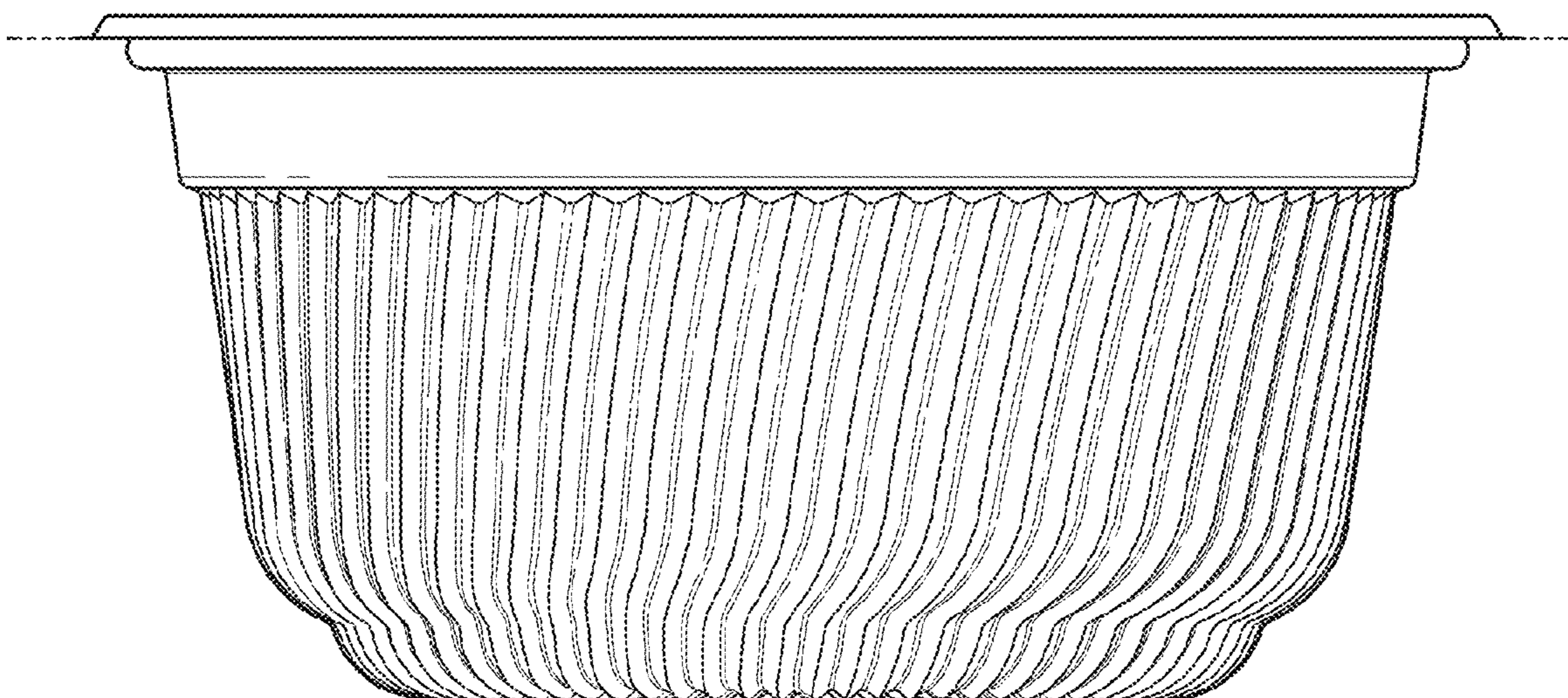


FIG. 3

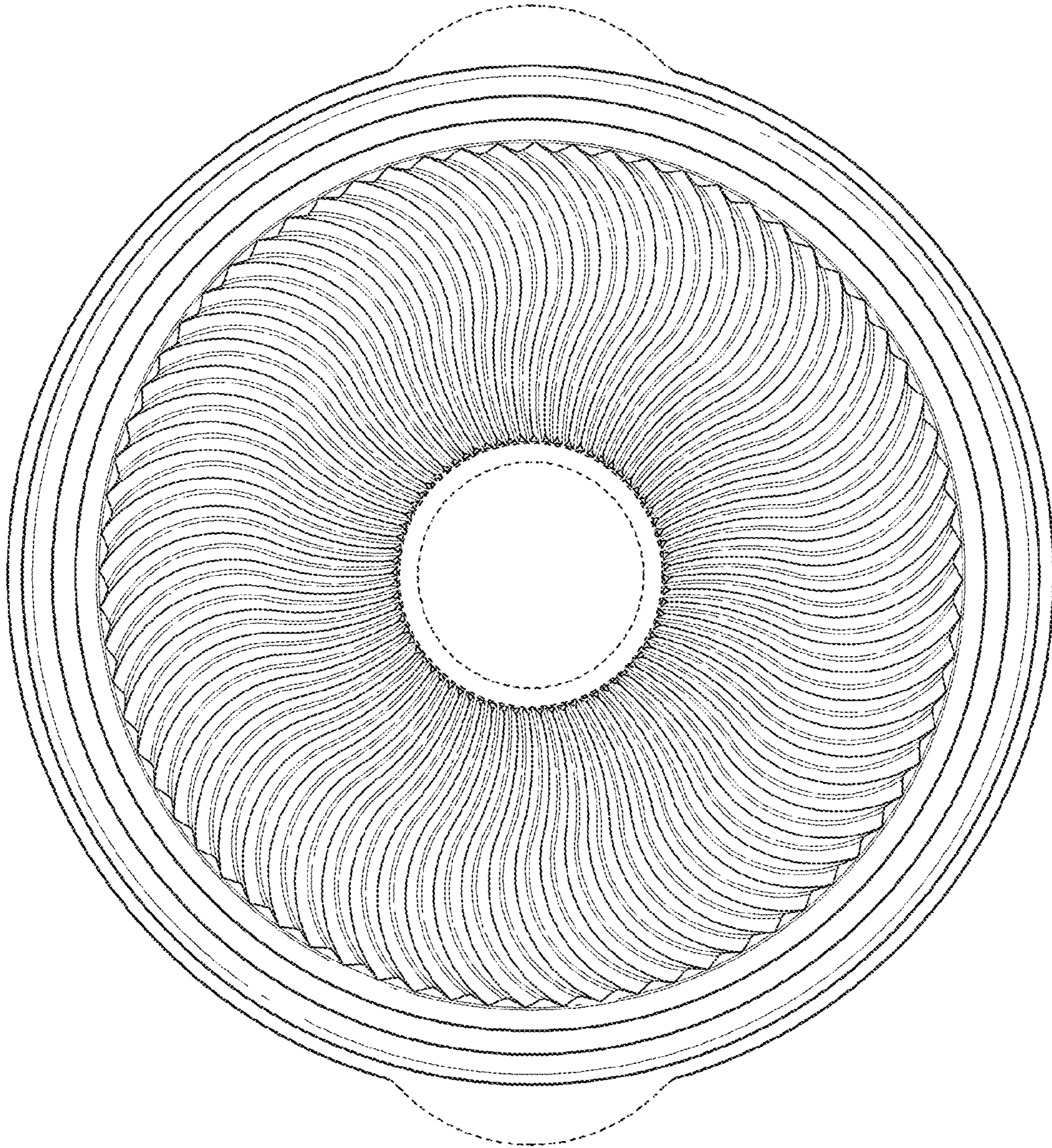


FIG. 4

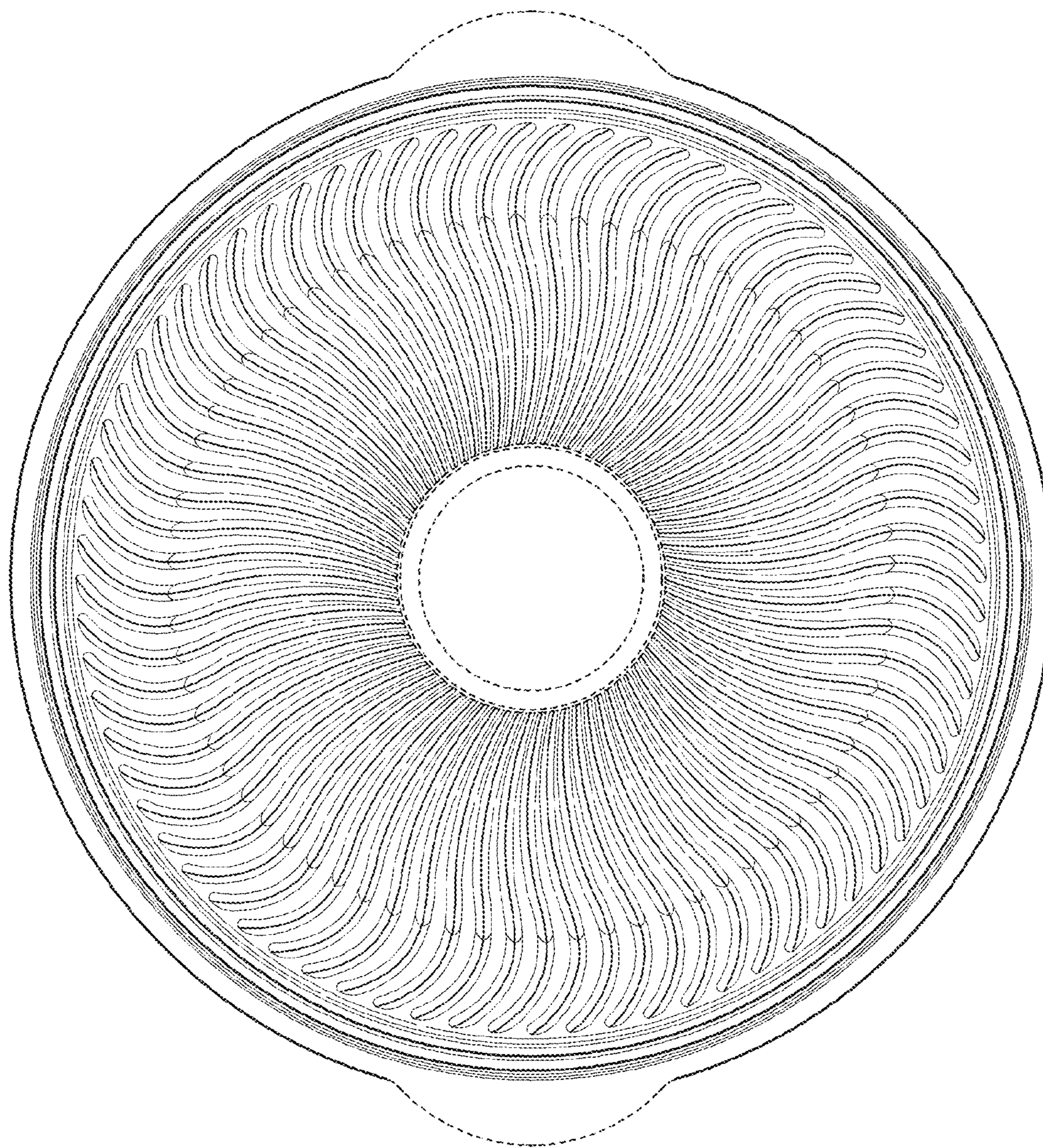


FIG. 5