



US00D684852S

(12) **United States Design Patent**  
**Trontel et al.**

(10) **Patent No.:** **US D684,852 S**  
(45) **Date of Patent:** **\*\* Jun. 25, 2013**

- (54) **DISPLAY PACKAGE HAVING INTERMITTENT PERIPHERAL WELDS**
- (76) Inventors: **Gerald J. Trontel**, Sharpsville, PA (US);  
**Alan P. Brandt**, Hermitage, PA (US)
- (\*\*) Term: **14 Years**
- (21) Appl. No.: **29/401,346**
- (22) Filed: **Sep. 11, 2011**
- (51) **LOC (9) Cl.** ..... **09-03**
- (52) **U.S. Cl.**  
USPC ..... **D9/415**
- (58) **Field of Classification Search**  
USPC ..... D9/346, 414-418, 424, 425, 423,  
D9/432-436, 445, 431, 453, 499, 500, 504,  
D9/516, 519, 522, 529, 535, 537, 545, 551,  
D9/571, 672, 675, 702, 711, 715, 721, 722,  
D9/737, 748, 759, 740, 743, 745, 749, 756,  
D9/718; D3/201, 203.3, 269, 273, 282, 300,  
D3/302, 315; 221/306; 53/411, 467, 170;  
206/536  
See application file for complete search history.

(56) **References Cited**

**U.S. PATENT DOCUMENTS**

4,019,632	A *	4/1977	Greenlee	.....	206/349
D253,040	S *	10/1979	Fournier et al.	.....	D9/722
D253,167	S *	10/1979	Fournier et al.	.....	D9/722
4,899,877	A *	2/1990	Kiernan	.....	206/349
D372,291	S *	7/1996	Watley	.....	D22/108
5,730,290	A	3/1998	Futo		
5,803,253	A *	9/1998	Zakarian	.....	206/349
D422,496	S *	4/2000	Eckmann	.....	D9/722
6,467,617	B1 *	10/2002	Chen	.....	206/315.11
D467,494	S *	12/2002	Udwin et al.	.....	D9/415
6,766,906	B2	7/2004	Charng		
6,820,742	B1 *	11/2004	Chen	.....	206/378

7,131,535	B2 *	11/2006	Hernandez et al.	.....	206/349
D556,601	S *	12/2007	Ferguson et al.	.....	D9/732
7,344,026	B2 *	3/2008	Melgaard	.....	206/349
7,392,906	B2	7/2008	Yu		
7,537,115	B2	5/2009	Weaver		
7,624,865	B2	12/2009	Pendergraph et al.		
7,789,234	B2	9/2010	Clark		

\* cited by examiner

*Primary Examiner* — Robert M Spear

*Assistant Examiner* — Rhea Shields

(74) *Attorney, Agent, or Firm* — Wayne D. Porter, Jr.

(57) **CLAIM**

The ornamental design for a display package having intermittent peripheral welds, as shown and described.

**DESCRIPTION**

FIG. 1 is a rear perspective view showing our new design; FIG. 2 is a front perspective view thereof; FIG. 3 is a rear plan view thereof; FIG. 4 is a right side elevation view thereof; FIG. 5 is a top end view thereof; FIG. 6 is a bottom end view thereof; FIG. 7 is a front plan view thereof; and, FIG. 8 is a left side elevation view thereof.

All of the material from the provisional U.S. utility patent application that is essential to the claimed design is included herein. Any material in the provisional utility application that is not present herein forms no part of the claimed design.

The present application relates to, and incorporates herein by reference, a utility provisional patent application filed by the applicants herein, Application Ser. No. 61/533,249, filed Sep. 11, 2011.

The broken lines in the drawings depict unclaimed environment.

**1 Claim, 5 Drawing Sheets**

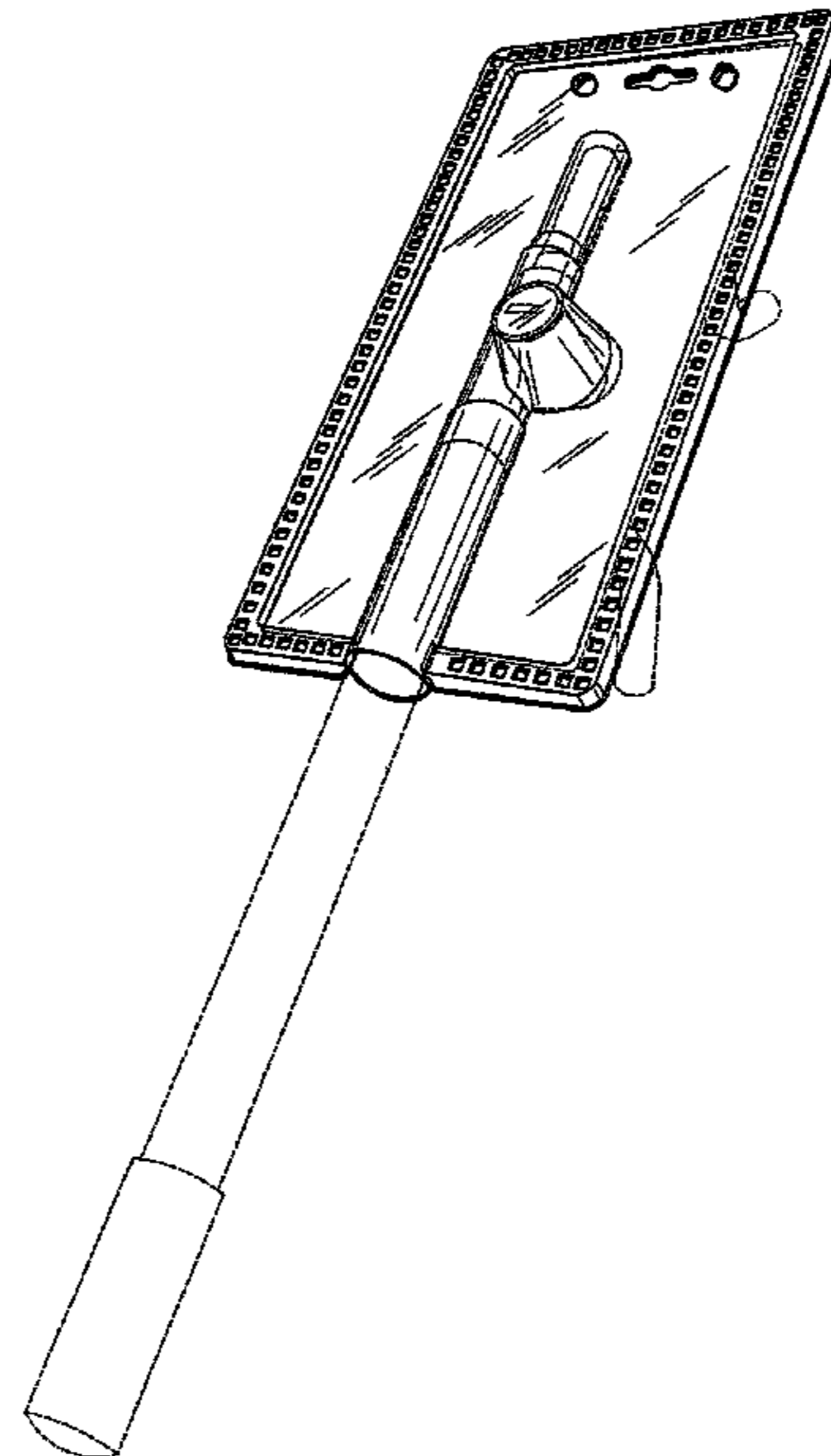
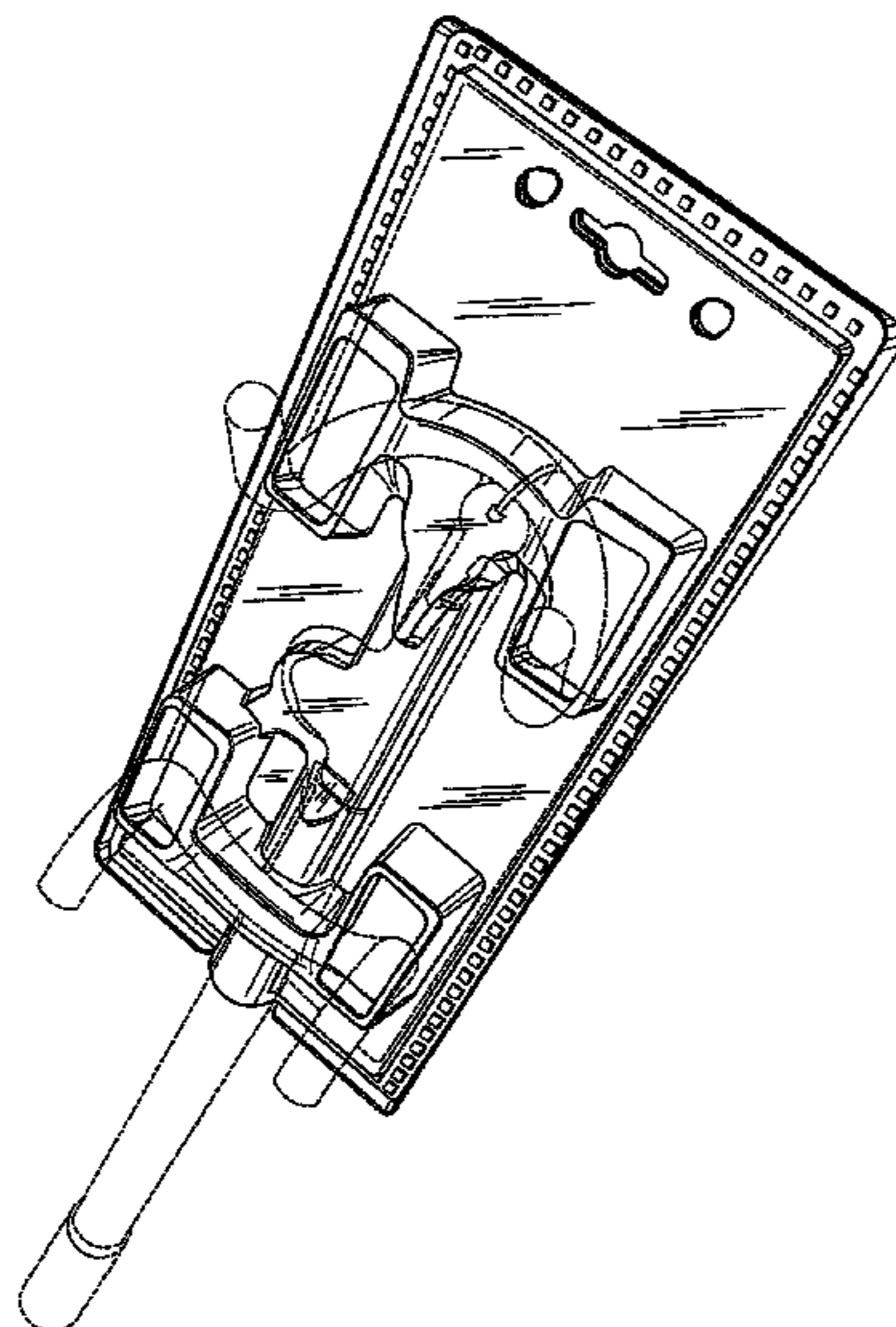


FIG. 1

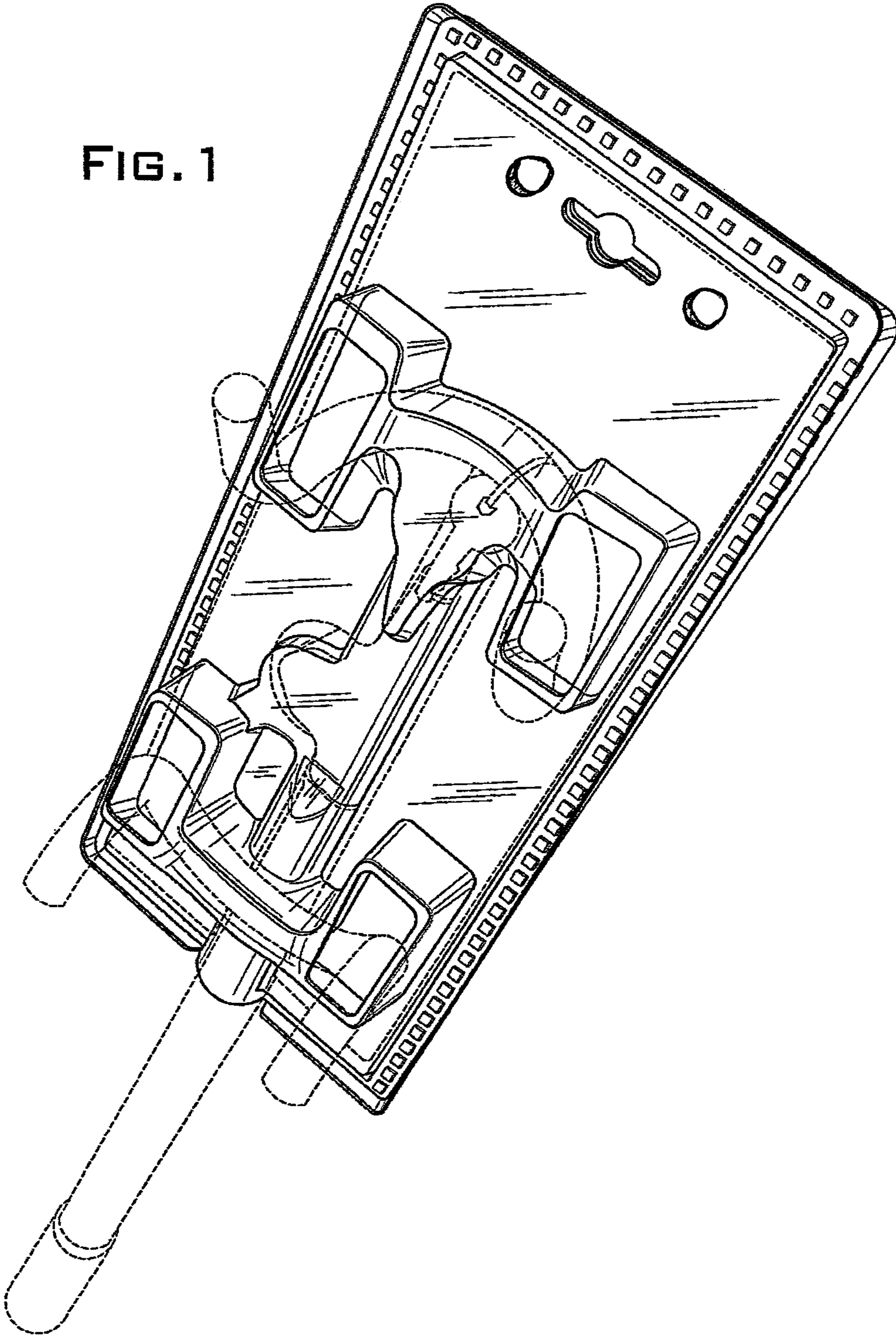
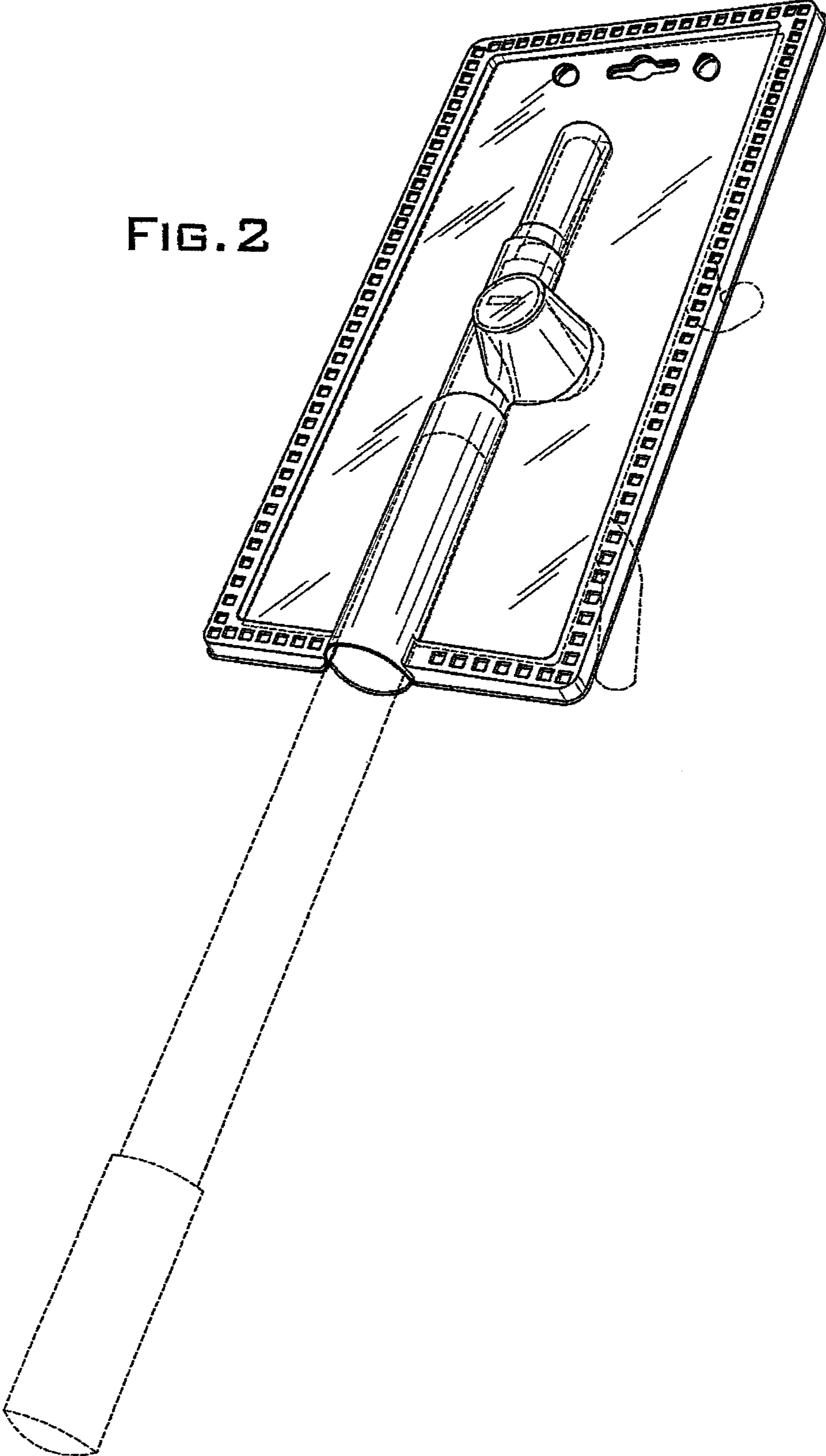




FIG. 2



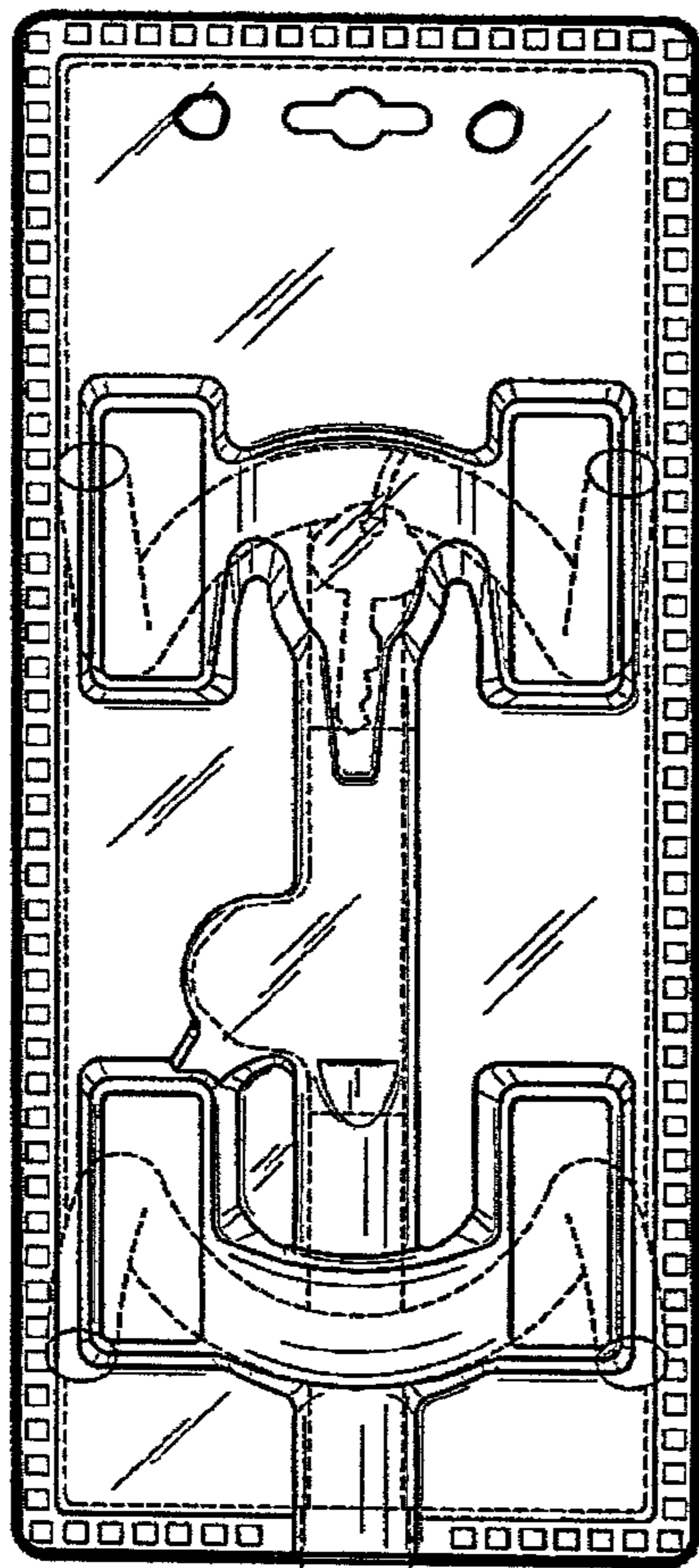


FIG. 3

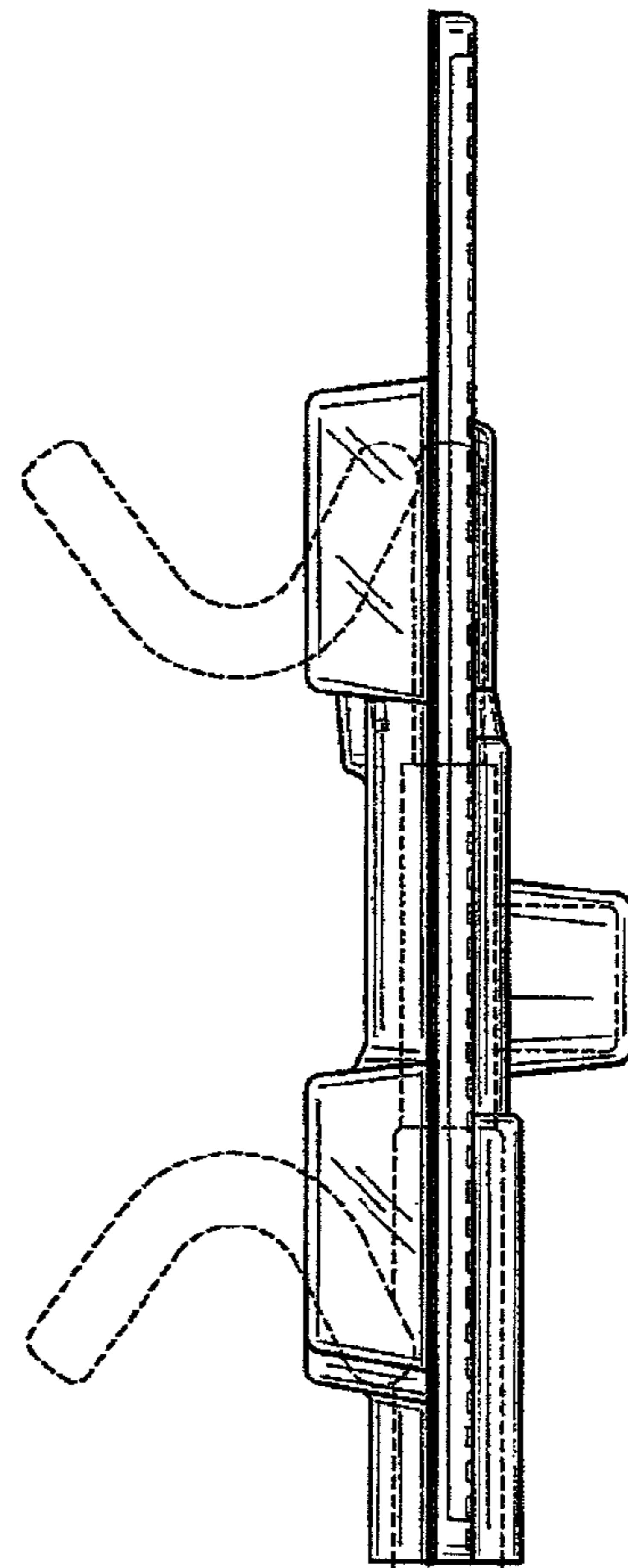


FIG. 4

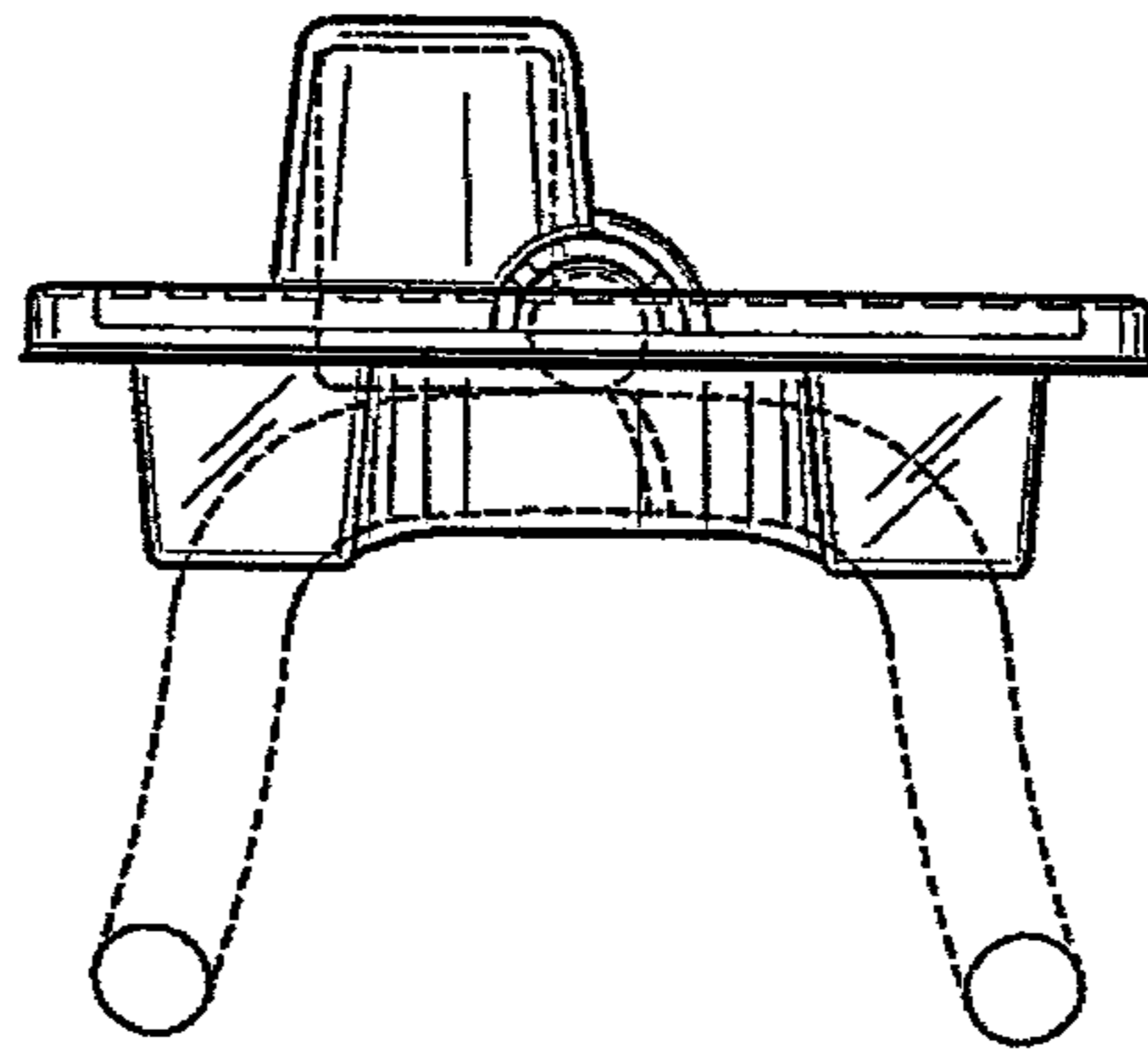


FIG. 5

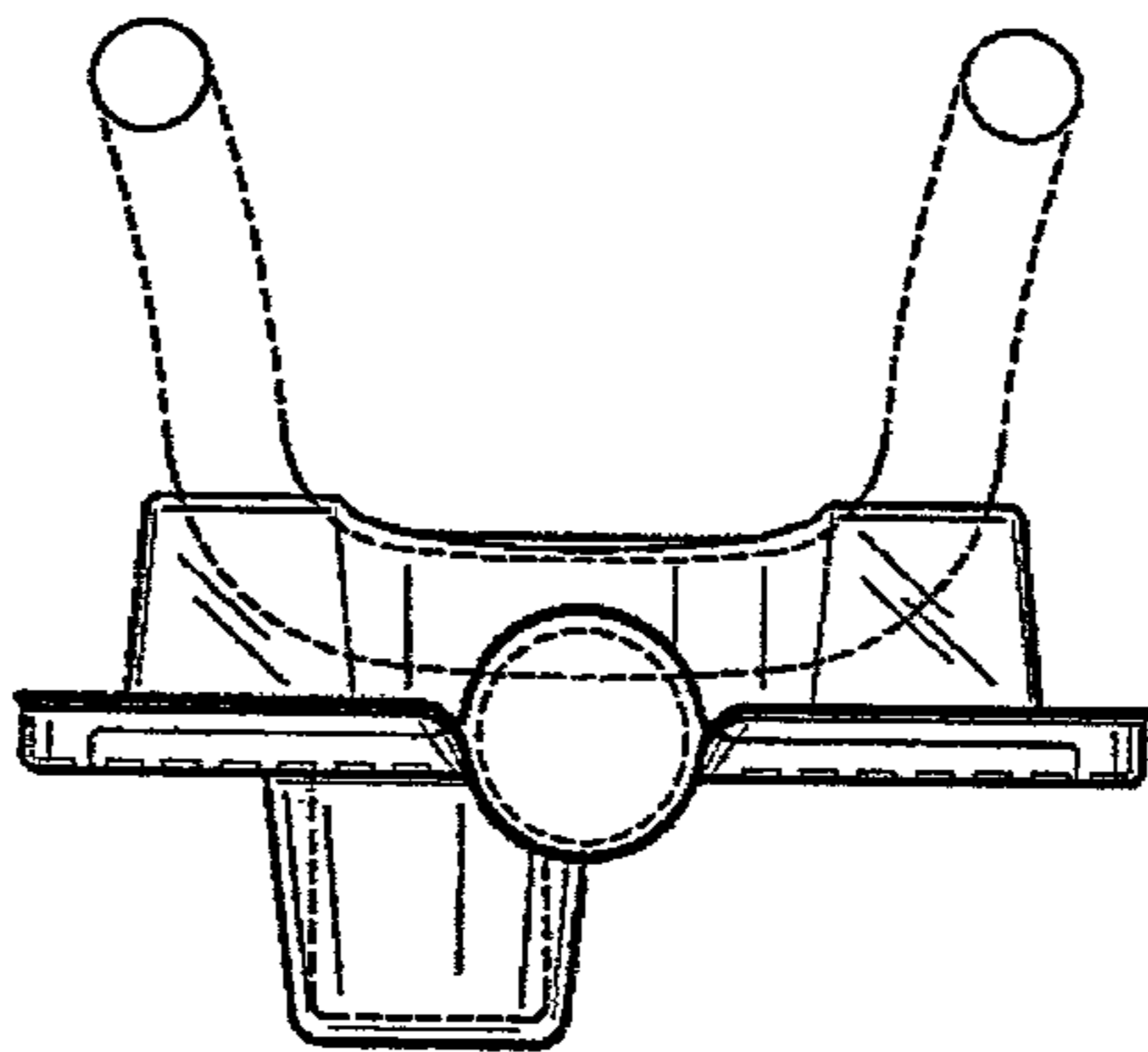


FIG. 6

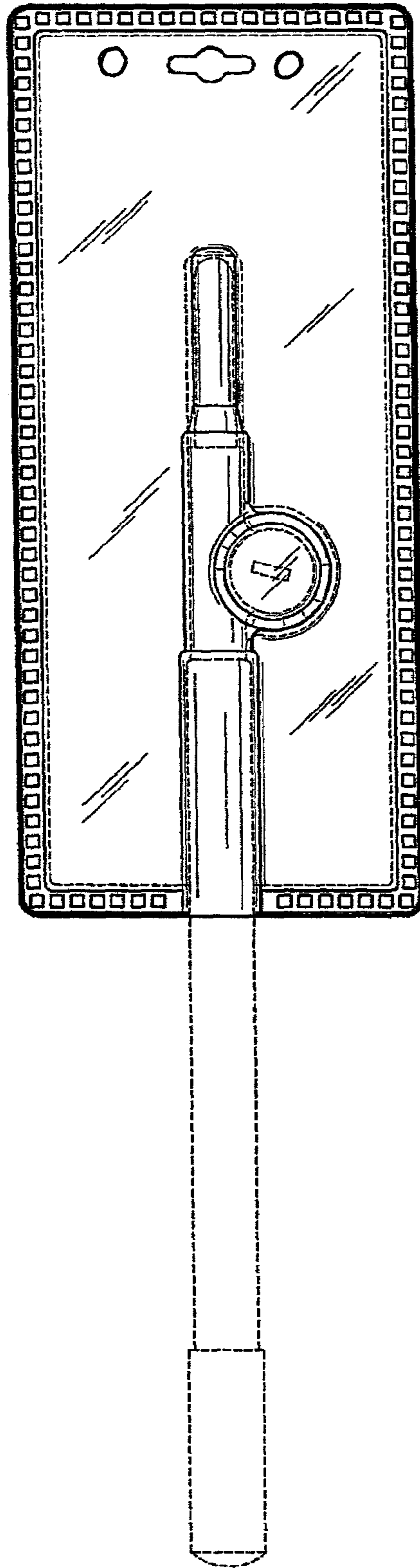


FIG. 7

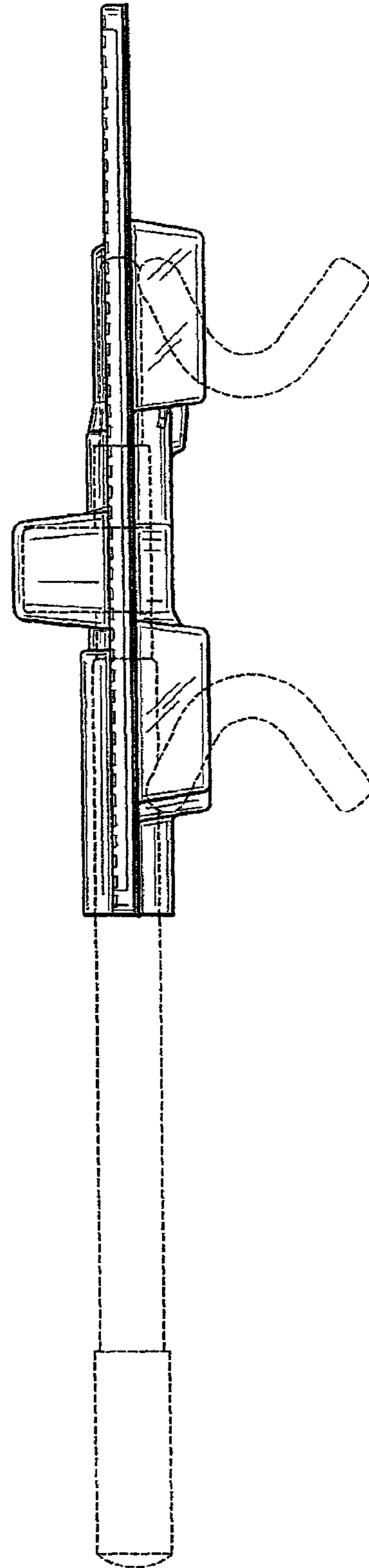


FIG. 8