



US00D684851S

(12) **United States Design Patent**
Clark et al.

(10) **Patent No.:** **US D684,851 S**
(45) **Date of Patent:** **** *Jun. 25, 2013**

(54) **COMBINED CONFECTIONARY PRODUCT PACKAGE AND DISPENSER**

(75) Inventors: **Kerri Clark**, Morristown, NJ (US); **Ron Young**, Morris Plains, NJ (US); **Martin Short**, Jersey City, NJ (US); **Robert Croft**, Jersey City, NJ (US)

(73) Assignee: **Kraft Foods Global Brands LLC**, Northfield, IL (US)

(*) Notice: This patent is subject to a terminal disclaimer.

(**) Term: **14 Years**

(21) Appl. No.: **29/373,314**

(22) Filed: **Mar. 29, 2011**

(51) **LOC (9) Cl.** **09-03**

(52) **U.S. Cl.**
USPC **D9/414**

(58) **Field of Classification Search**
USPC D9/414, 416, 423, 428, 430-33, D9/444, 449, 455, 501-503, 508, 519, 522, D9/529, 531, 537, 545, 548-52, 554, 558, D9/560, 564, 574, 575, 688-692, 711, 737, D9/738, 740-742, 744, 751, 755-756, 760, D9/415, 687, 719, 739, 743, 745; D24/216, D24/516; 222/131; 206/446; 312/111; 220/23.87, 23.89, 592.08, 592.15, 592.23, 220/475, 62.18, 602, 629

See application file for complete search history.

(56) **References Cited**

U.S. PATENT DOCUMENTS

1,490,892 A	4/1924	Rod
1,889,232 A	11/1932	Ware
2,233,120 A	2/1941	Andonov
3,130,862 A	4/1964	Lachance
3,637,109 A	1/1972	Stifter

4,154,365 A	5/1979	Lorca
4,354,619 A	10/1982	Wippermann et al.
4,653,668 A	3/1987	Gibilisco et al.
4,667,849 A	5/1987	Hansen
4,767,023 A	8/1988	Hackmann et al.
4,854,478 A	8/1989	Gyimothy
4,961,520 A	10/1990	White
5,009,535 A	4/1991	Oilar
5,372,267 A	12/1994	Hofmann
5,405,047 A	4/1995	Hansen
5,579,933 A	12/1996	Hofmann
5,709,306 A	1/1998	Hofmann

(Continued)

OTHER PUBLICATIONS

<http://www.reuseit.com/store/double-walled-glass-water-bottle-with-filter-aquaovo-p-275> . . . searched RMS Oct. 25, 2012.*

(Continued)

Primary Examiner — Robert M Spear

Assistant Examiner — Rhea Shields

(74) *Attorney, Agent, or Firm* — Hoffmann & Baron, LLP

(57) **CLAIM**

The ornamental design for a combined confectionary product package and dispenser, as shown and described.

DESCRIPTION

FIG. 1 is a side perspective view of a combined confectionary product package and dispenser of the new design.

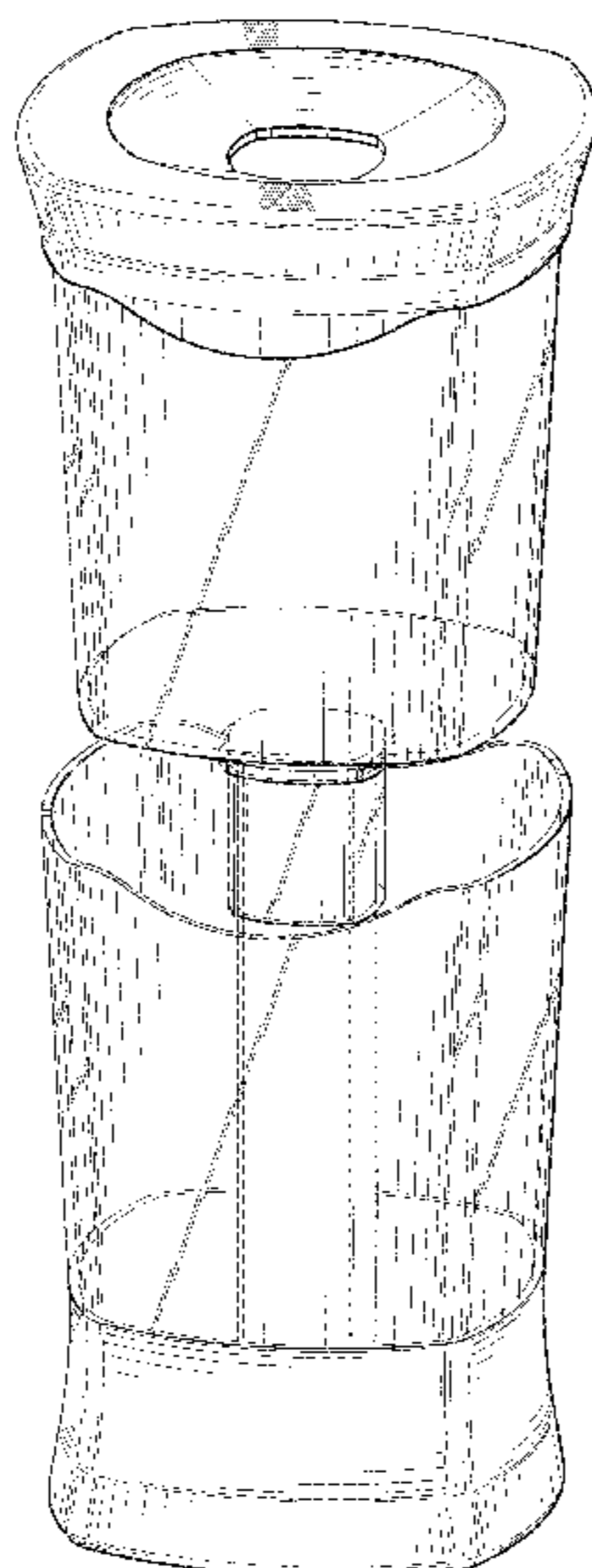
FIGS. 2 and 3 are front and back elevational views, respectively, of the combined confectionary product package and dispenser of FIG. 1.

FIG. 4 is a top plan view of the combined confectionary product package and dispenser of FIG. 1.

FIG. 5 is a bottom plan view of the combined confectionary product package and dispenser of FIG. 1; and,

FIG. 6 is another side perspective view of the combined confectionary product package and dispenser of FIG. 1.

1 Claim, 6 Drawing Sheets



US D684,851 S

Page 2

U.S. PATENT DOCUMENTS

5,881,920 A 3/1999 Seager et al.
5,947,345 A 9/1999 Hofmann
6,039,215 A 3/2000 Bell
6,085,927 A * 7/2000 Kusz 220/23.87
6,105,823 A 8/2000 Seager et al.
6,220,480 B1 4/2001 Stankus et al.
6,889,869 B2 5/2005 Hallin
6,948,634 B2 9/2005 Evans et al.
7,073,685 B1 7/2006 Giraud et al.
7,159,739 B2 1/2007 Fenton et al.
7,243,817 B2 7/2007 Giraud
7,360,669 B2 4/2008 Drajan

7,703,447 B2 4/2010 Caveza
D624,789 S * 10/2010 Bodum D7/510
D628,494 S * 12/2010 Aebi D9/687
D634,212 S * 3/2011 Kruetzkamp et al. D9/690

OTHER PUBLICATIONS

<http://www.amazon.com/Bodum-Double-Wall-16-Ounce-Thermal-Plastic/dp/B004QZA5> . . . searched RMS Oct. 25, 2012.*
<http://www.oempromo.com/product/Containers/1/10-Oz--H2go-G10d-Double-Wall-Glas> . . . searched RMS Oct. 25, 2012.*

* cited by examiner

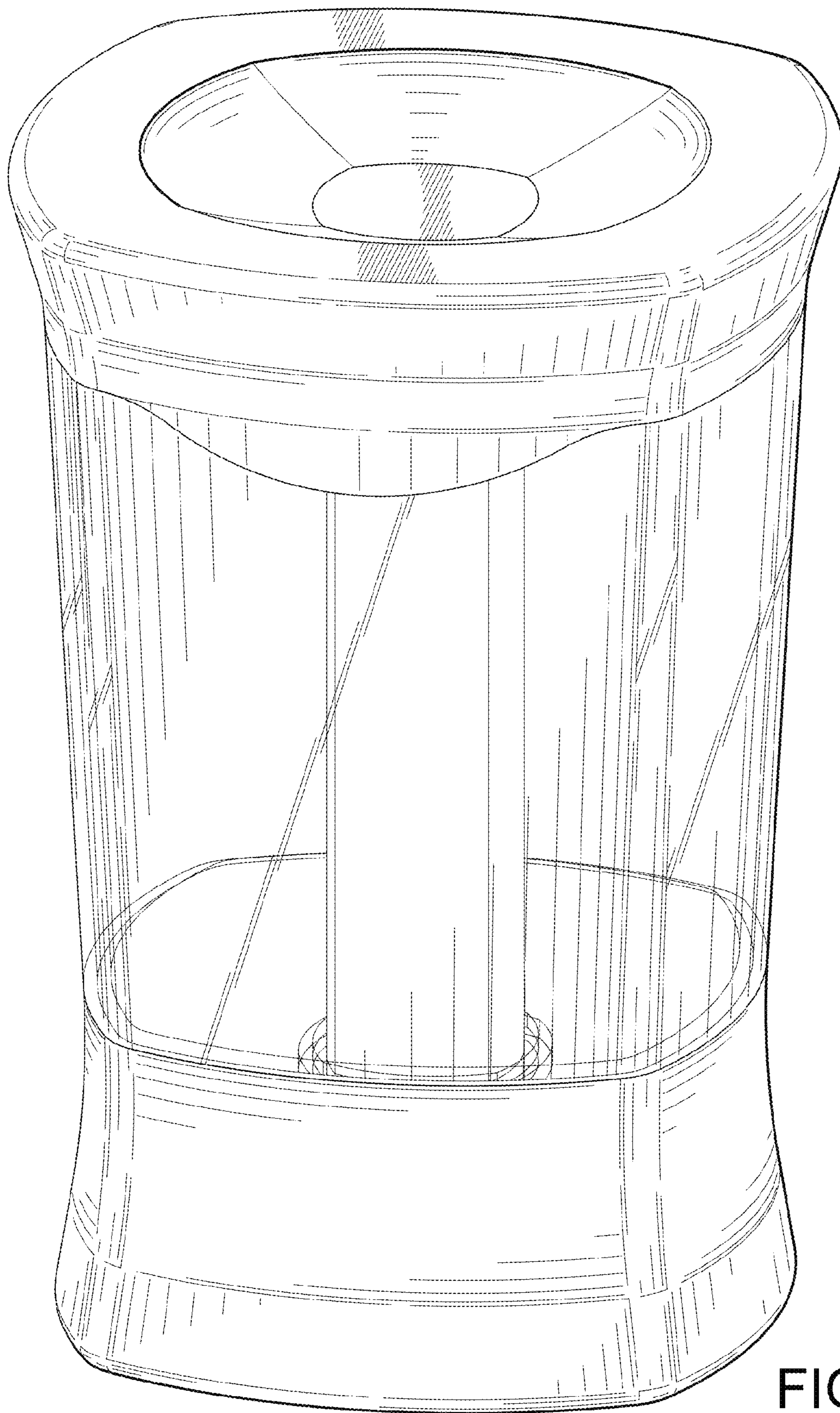


FIG. 1

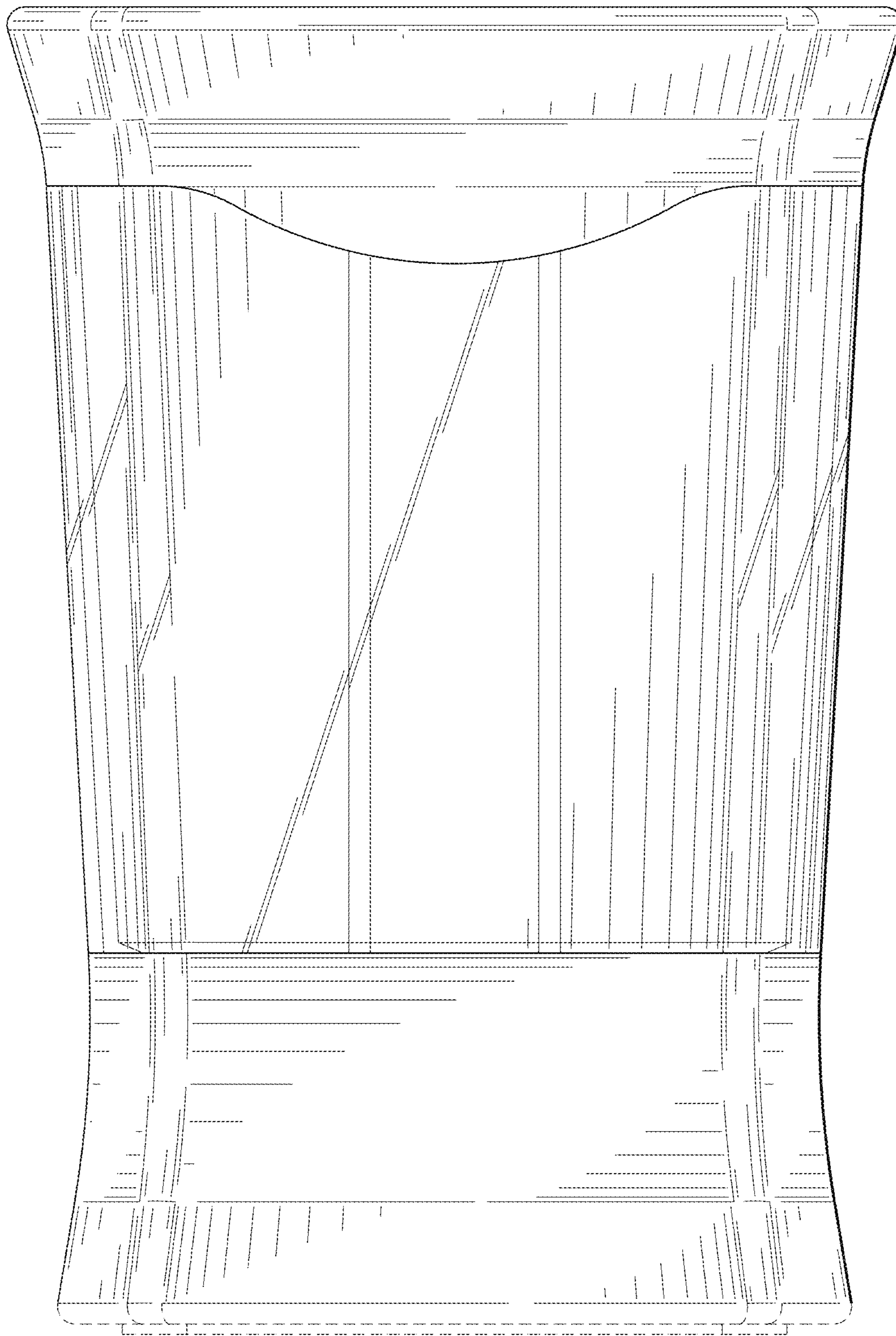


FIG. 2

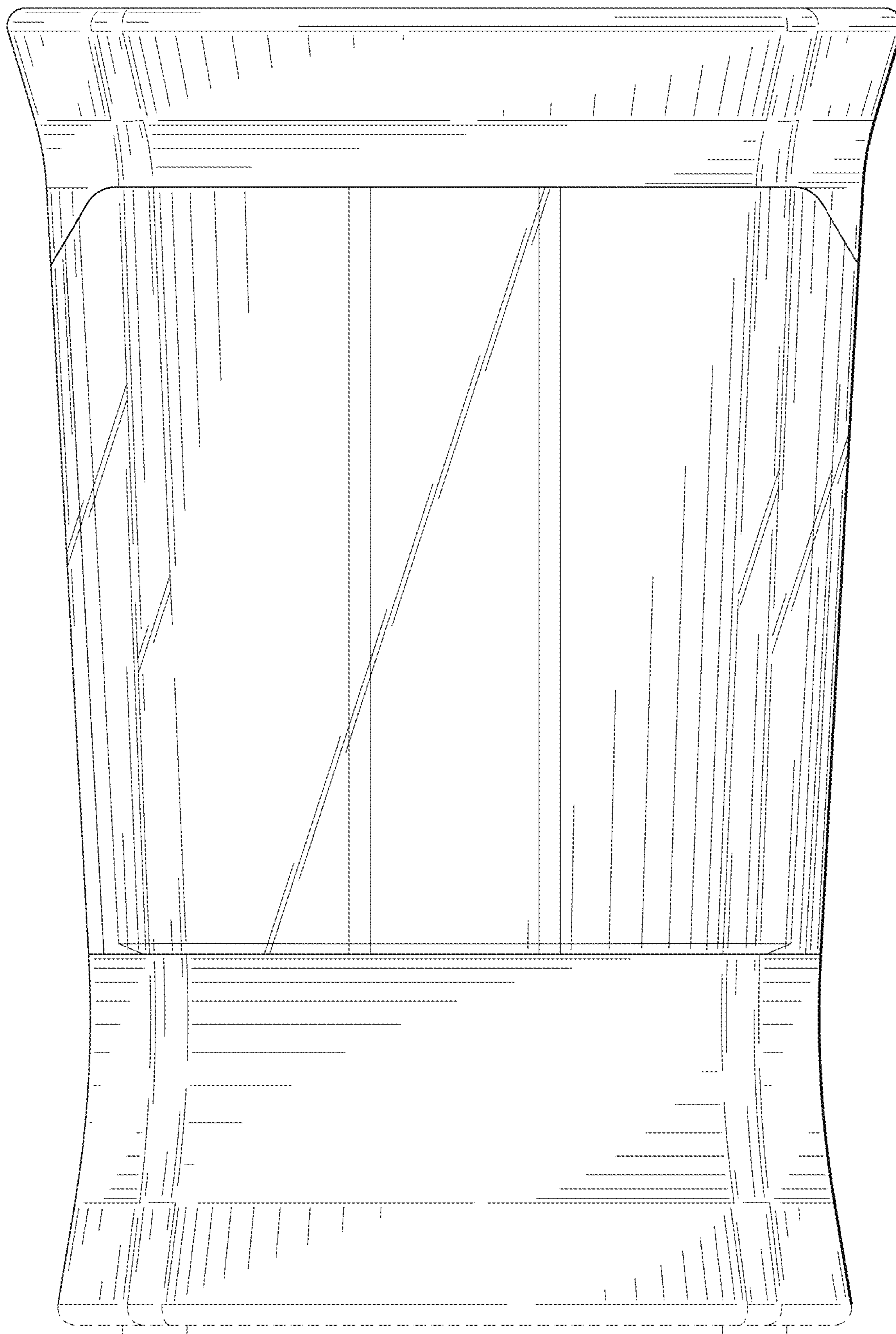


FIG. 3

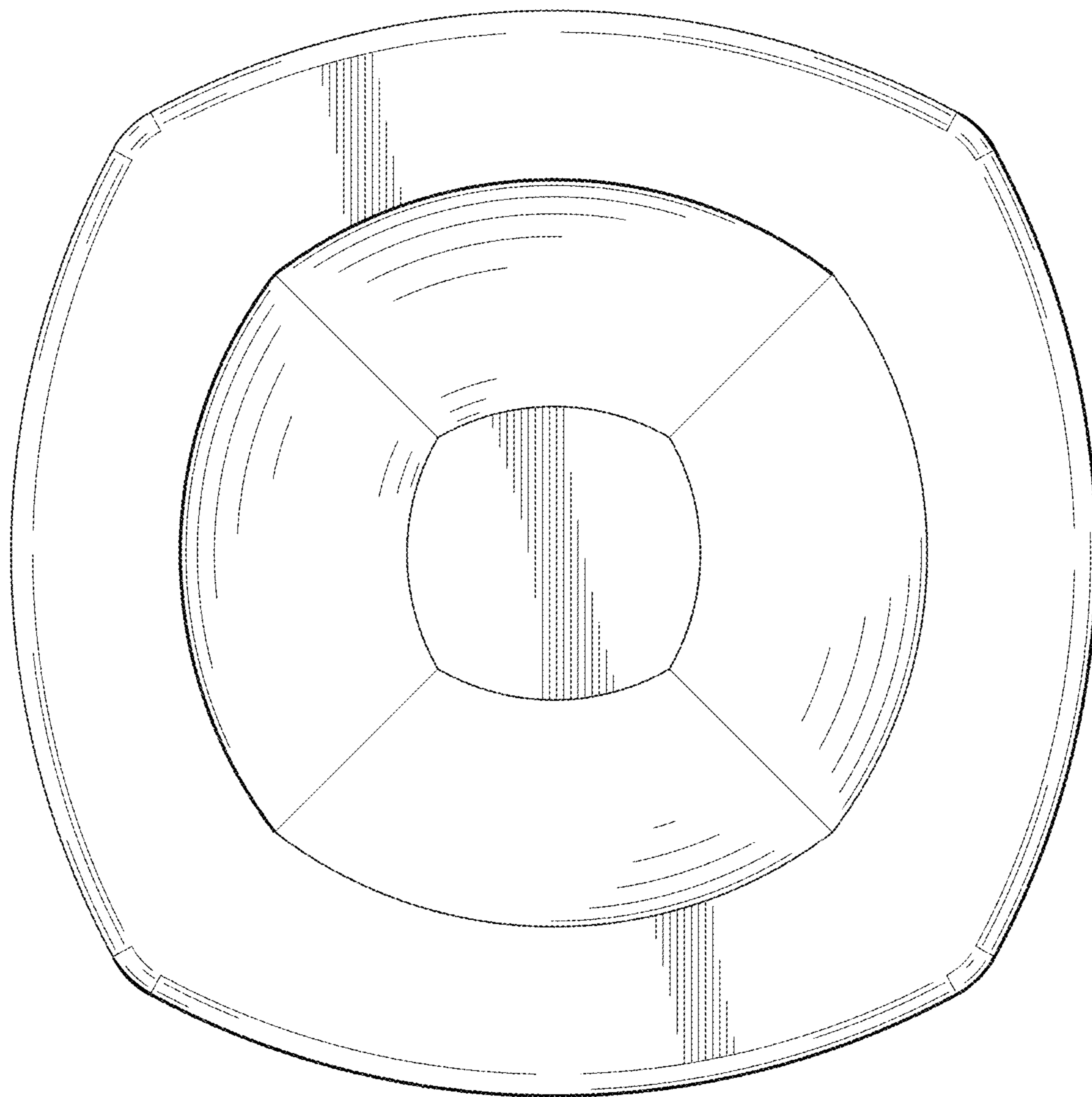


FIG. 4

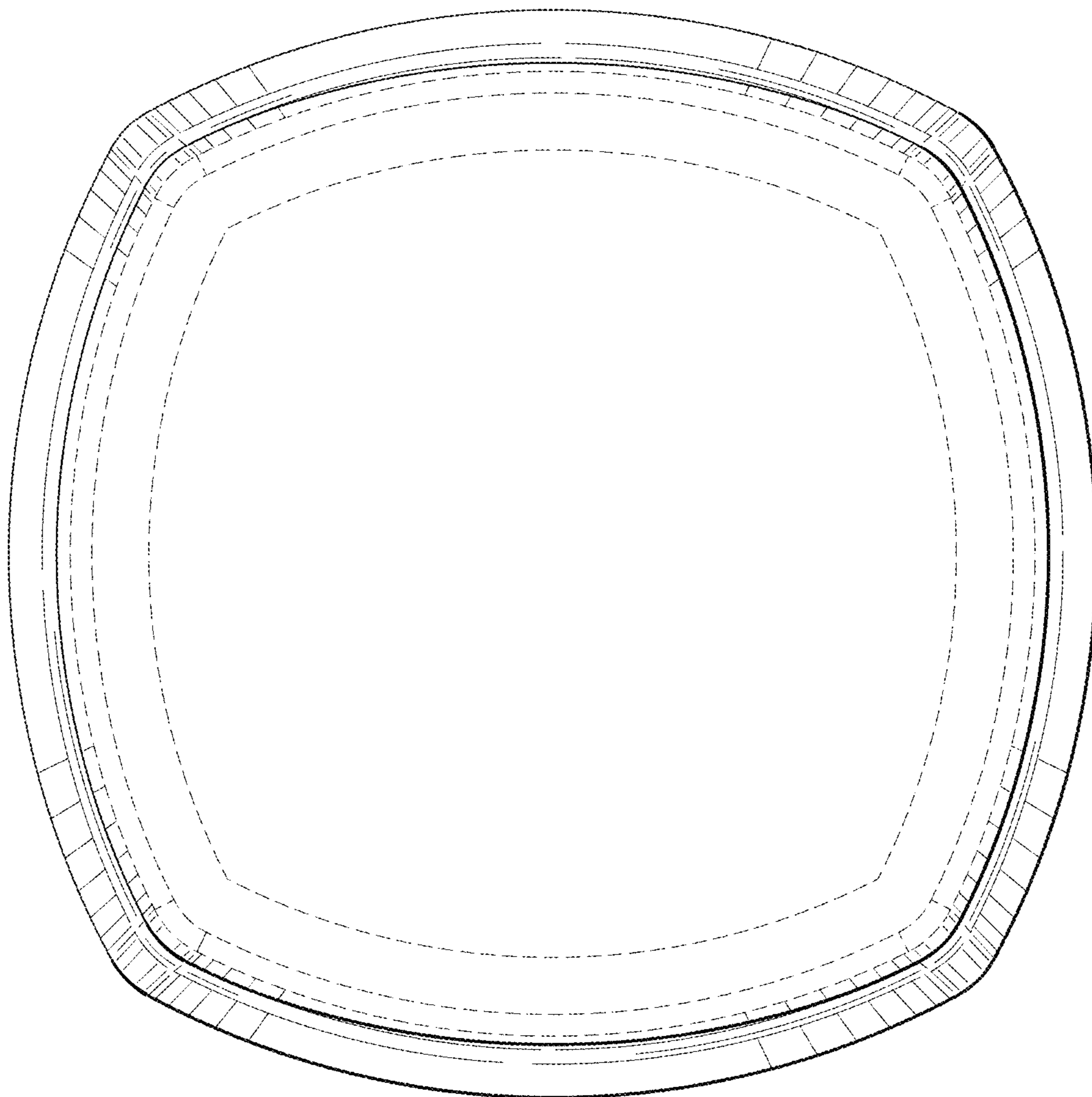


FIG. 5

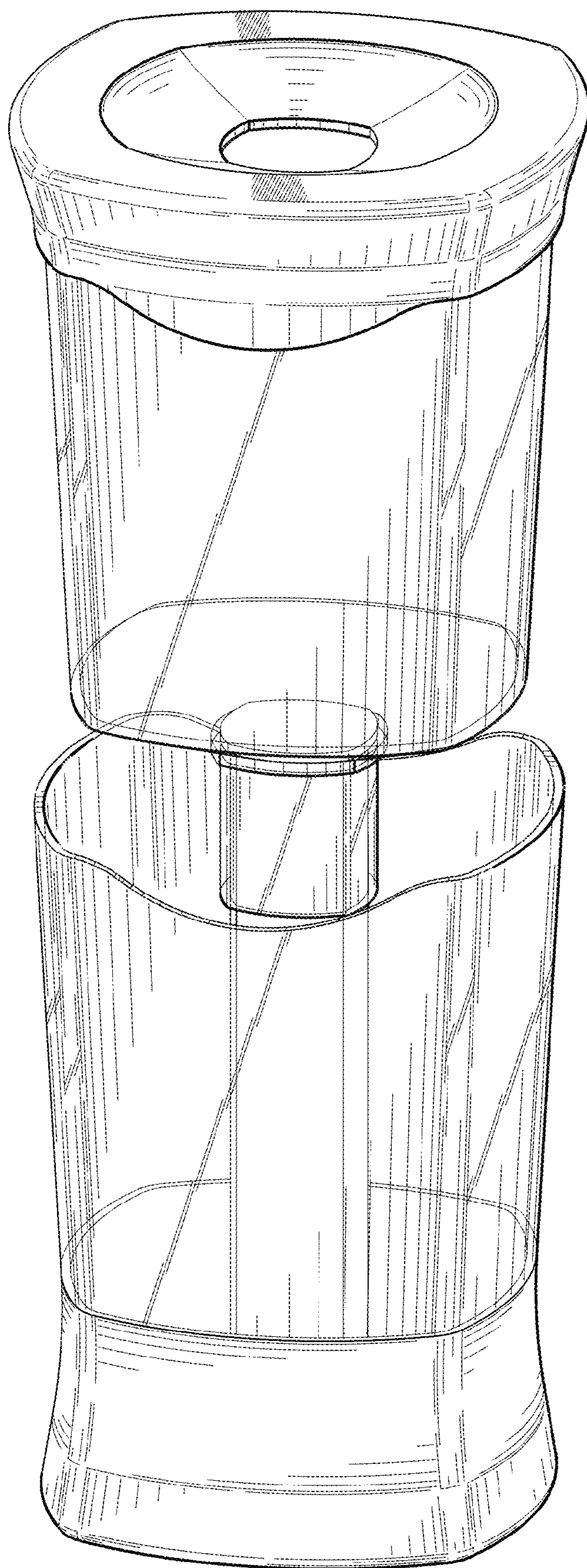


FIG. 6