



US00D684850S

(12) **United States Design Patent**
Williams et al.

(10) **Patent No.:** **US D684,850 S**
(45) **Date of Patent:** **** Jun. 25, 2013**

(54) **DOOR CLOSING SILENCER**

(76) Inventors: **Gwen Williams**, Riverside, CA (US);
Lyndsey Gaskins, Corona, CA (US)

(**) Term: **14 Years**

(21) Appl. No.: **29/420,786**

(22) Filed: **May 13, 2012**

(51) **LOC (9) Cl.** **08-09**

(52) **U.S. Cl.**

USPC **D8/402**

(58) **Field of Classification Search**

USPC D8/395, 400–404, 499, 391, 393,
D8/388, 360, 378; D9/456, 614, 623, 628,
D9/640, 673; 160/181; D21/385, 418, 426,
D21/430, 441, 447–449, 51, 499, 582, 587,
D21/593, 594, 621; 40/331, 599; 16/71, 82,
16/83, 375, 342, 85, 86 B; D28/91.1, 38,
D28/39, 54.1; D11/36, 32, 53, 78.1, 101,
D11/113, 136, 150, 160, 162; D6/332, 553–574;
D20/19, 42, 43; D19/34.1, 34.5, 65, 90, 96;
292/343, 342, 288; 248/188.2; D25/38.1;
D29/124

See application file for complete search history.

(56) **References Cited**

U.S. PATENT DOCUMENTS

1,197,769	A *	9/1916	Shane	16/86 A
1,336,527	A *	4/1920	Lewis et al.	16/86 A
1,520,199	A *	12/1924	Morgan	16/86 A
3,451,708	A *	6/1969	Brooks	292/264
5,004,279	A *	4/1991	Radcliff	292/288
5,288,257	A *	2/1994	Zacherl	446/72
5,291,631	A *	3/1994	Schjoneman	16/86 R
7,766,400	B2 *	8/2010	Predebon	292/288
2003/0132639	A1 *	7/2003	Franklin	292/288
2007/0085352	A1 *	4/2007	Ulanday et al.	292/288

OTHER PUBLICATIONS

The Original Door Jammer for sleeping babies, small houses and hardwood floors—I wish I invented this!, [posted online Apr. 25, 2012], [site visited Jan. 8, 2013]. Available from Internet, <URL: <http://zombiemommysaves.com/tag/latchy-catchy>>.*

Why do you do to keep the house quiet during nap time?, [posted online Jun. 7, 2012], [site visited Jan. 8, 2013]. Available from Internet, <URL: blogs.babycenter.com/life_and_home/06072012-what-do-you-do-to-keep-the-house-quiet-during-naptime/>.*

Items similar to Latchy Catchy Red Lotus Flower (Patents Pending) on Etsy, [posted online 2013], [site visited Jan. 8, 2013]. Available from Internet, <URL: <http://www.etsy.com/listing/93606628/latchy-catchy-red-lotus-flower-patents>>.*

Latchy Catchy in Tan, [posted online 2013], [site visited Jan. 8, 2013]. Available from Internet, <URL: <http://www.thelatchycatchy.com/products/copy-of-latchy-catchy-in-flower-power>>.*

Door Jammer—Green Squares, [posted online 2013], [site visited Jan. 8, 2013]. Available from Internet, <URL: <http://www.etsy.com/listing/110174547/door-jammer-green-squares>>.*

* cited by examiner

Primary Examiner — Robert M Spear

Assistant Examiner — Janice Hallmark

(74) *Attorney, Agent, or Firm* — William L. Chapin

(57) **CLAIM**

The ornamental design for a door closing silencer, as shown and described.

DESCRIPTION

FIG. 1 is a front perspective view of a door closing silencer according to the present invention.

FIG. 2 is an upper plan view thereof.

FIG. 3 is a lower plan view thereof.

FIG. 4 is right end elevation view thereof.

FIG. 5 is left end elevation view thereof.

FIG. 6 is front elevation view thereof; and,

FIG. 7 is rear elevation view thereof.

1 Claim, 3 Drawing Sheets

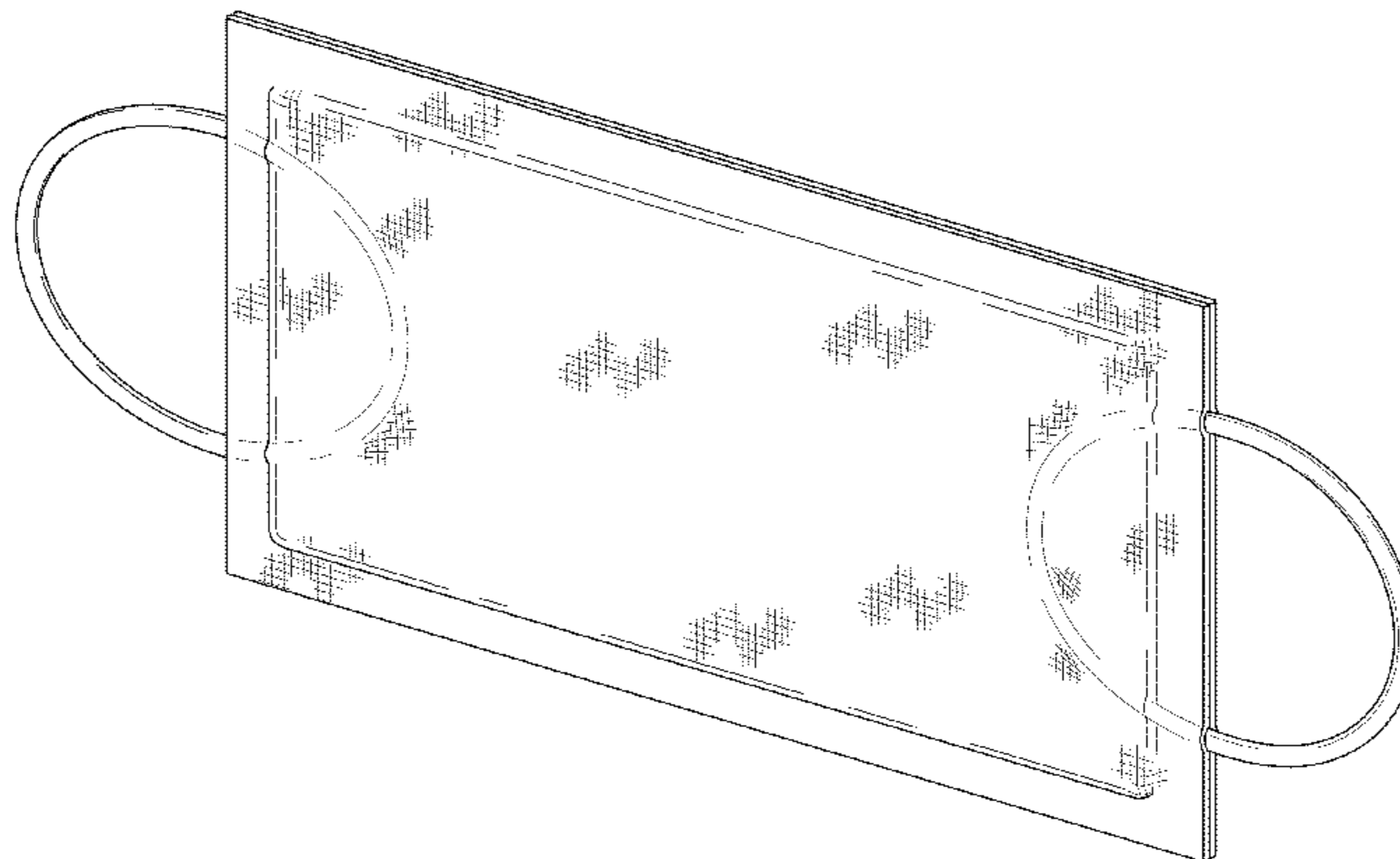
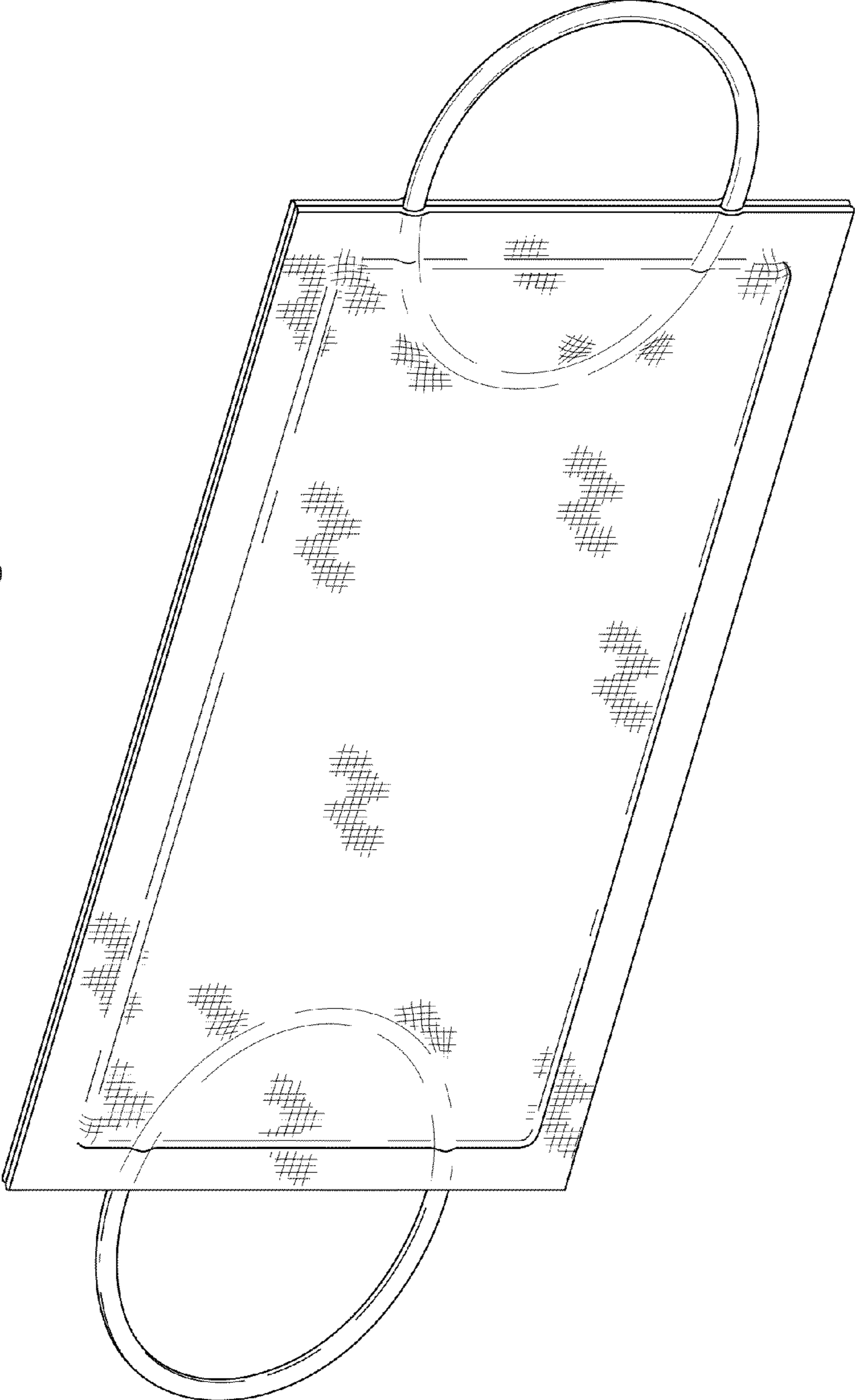


Fig. 1



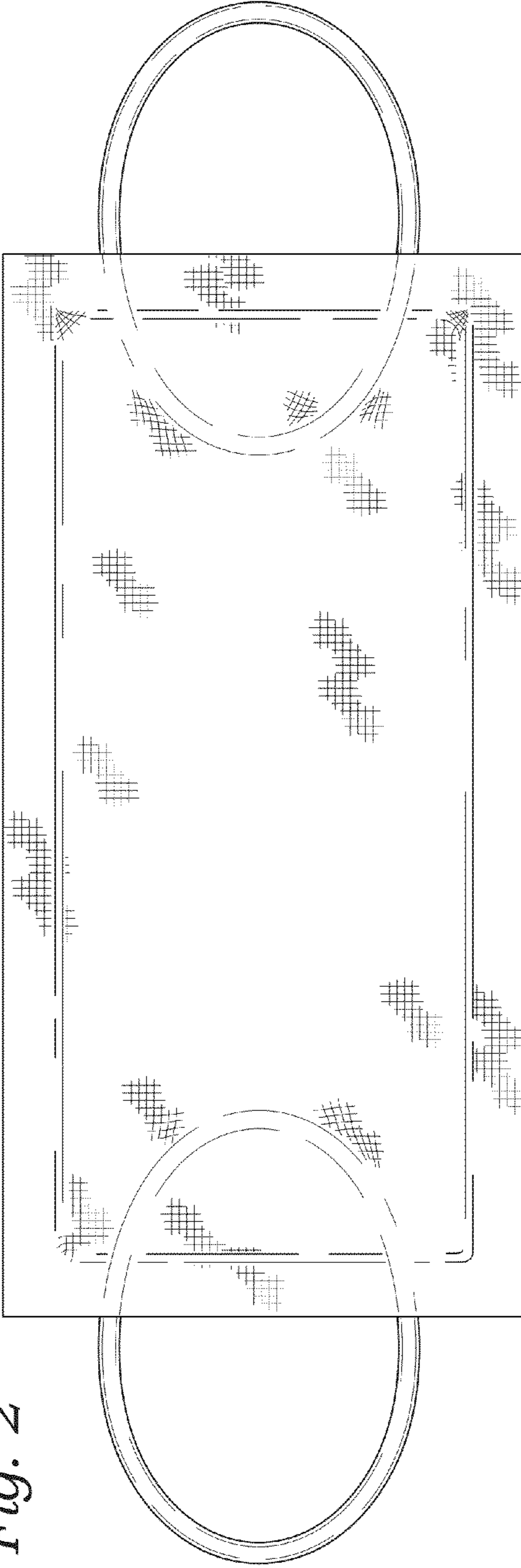


Fig. 2

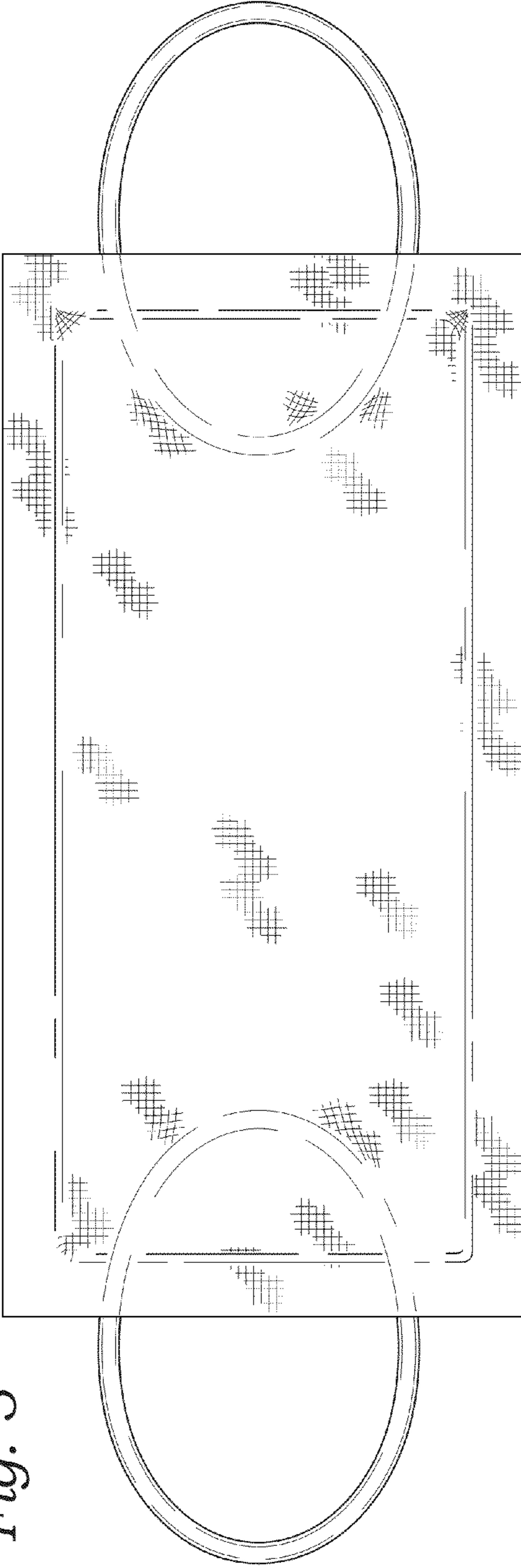


Fig. 3

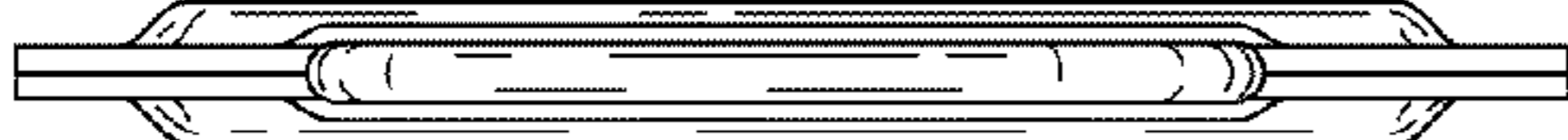


Fig. 4

Fig. 5



Fig. 6



Fig. 7