



US00D684849S

(12) **United States Design Patent**
Bylsma

(10) **Patent No.:** **US D684,849 S**
(45) **Date of Patent:** **** Jun. 25, 2013**

- (54) **CLIP**
- (76) Inventor: **Jessica M. Bylsma**, Arlington, VA (US)
- (**) Term: **14 Years**
- (21) Appl. No.: **29/373,110**
- (22) Filed: **Mar. 1, 2011**
- (51) **LOC (9) Cl.** **08-08**
- (52) **U.S. Cl.**
USPC **D8/395**
- (58) **Field of Classification Search**
USPC D8/394–396, 72, 367, 373; D19/56,
D19/65, 86; 24/67.3; D32/60–64; D28/40
See application file for complete search history.

- D577,393 S * 9/2008 Nada et al. D21/503
- D593,609 S * 6/2009 Blau D19/65
- D615,394 S * 5/2010 Pearson et al. D8/395
- D649,866 S * 12/2011 Roehrig et al. D8/395
- 2009/0238395 A1 9/2009 Jubelirer et al.

* cited by examiner

Primary Examiner — John Windmuller
(74) *Attorney, Agent, or Firm* — Frank D Lachenmaier

(57) **CLAIM**
The ornamental design for clip, as shown and described.

DESCRIPTION

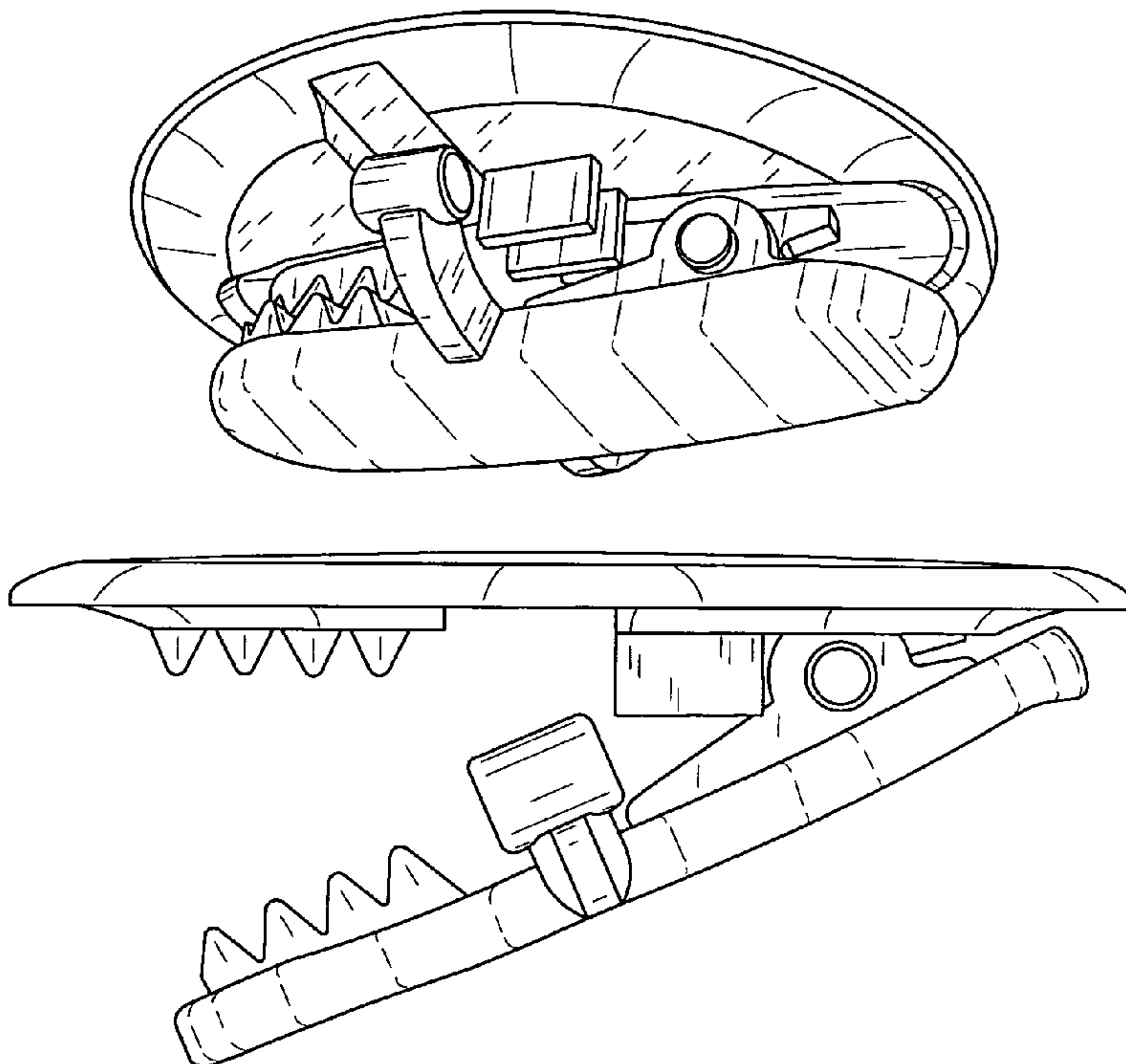
FIG. 1 is a bottom side perspective view of a clip showing my new design;
 FIG. 2 is a top view thereof;
 FIG. 3 is a left side view thereof in a normally closed state, where the right side view is a mirror image of left side view;
 FIG. 4 is a left side view thereof in a sprung open state, where the right side view is a mirror image of left side view;
 FIG. 5 is a front view thereof in an open state;
 FIG. 6 is a bottom view thereof in a closed state with a small wire and a large wire engaged in clip;
 FIG. 7 is a left side view thereof in a closed state with a small wire engaged in the left channel; and,
 FIG. 8 is a right side view thereof in a closed state with a large wire engaged in the right channel.
 FIGS. 6, 7 & 8 show wires in broken lines engaged in the clip channels where the wires are not a part of this invention and are shown in broken lines for illustrative purposes only.

(56) **References Cited**

U.S. PATENT DOCUMENTS

769,336	A *	9/1904	Cahn et al.	24/499
D306,876	S *	3/1990	Greenhut et al.	D19/65
D313,759	S *	1/1991	Nomizu D10/31	
D323,469	S *	1/1992	Saito D10/43	
D335,078	S *	4/1993	Hampshire D8/395	
D357,419	S *	4/1995	Hsu D10/6	
D392,181	S *	3/1998	Bries et al. D8/395	
D406,170	S *	2/1999	Wolff D19/65	
D454,056	S *	3/2002	Kung D8/395	
6,526,635	B2	3/2003	Nasu et al.	
D493,487	S *	7/2004	Nuttall et al. D19/65	
6,771,780	B2	8/2004	Hong et al.	
D512,906	S *	12/2005	Wood D8/395	
D529,375	S *	10/2006	Cetera D8/395	
D559,673	S *	1/2008	Dash D8/395	

1 Claim, 3 Drawing Sheets



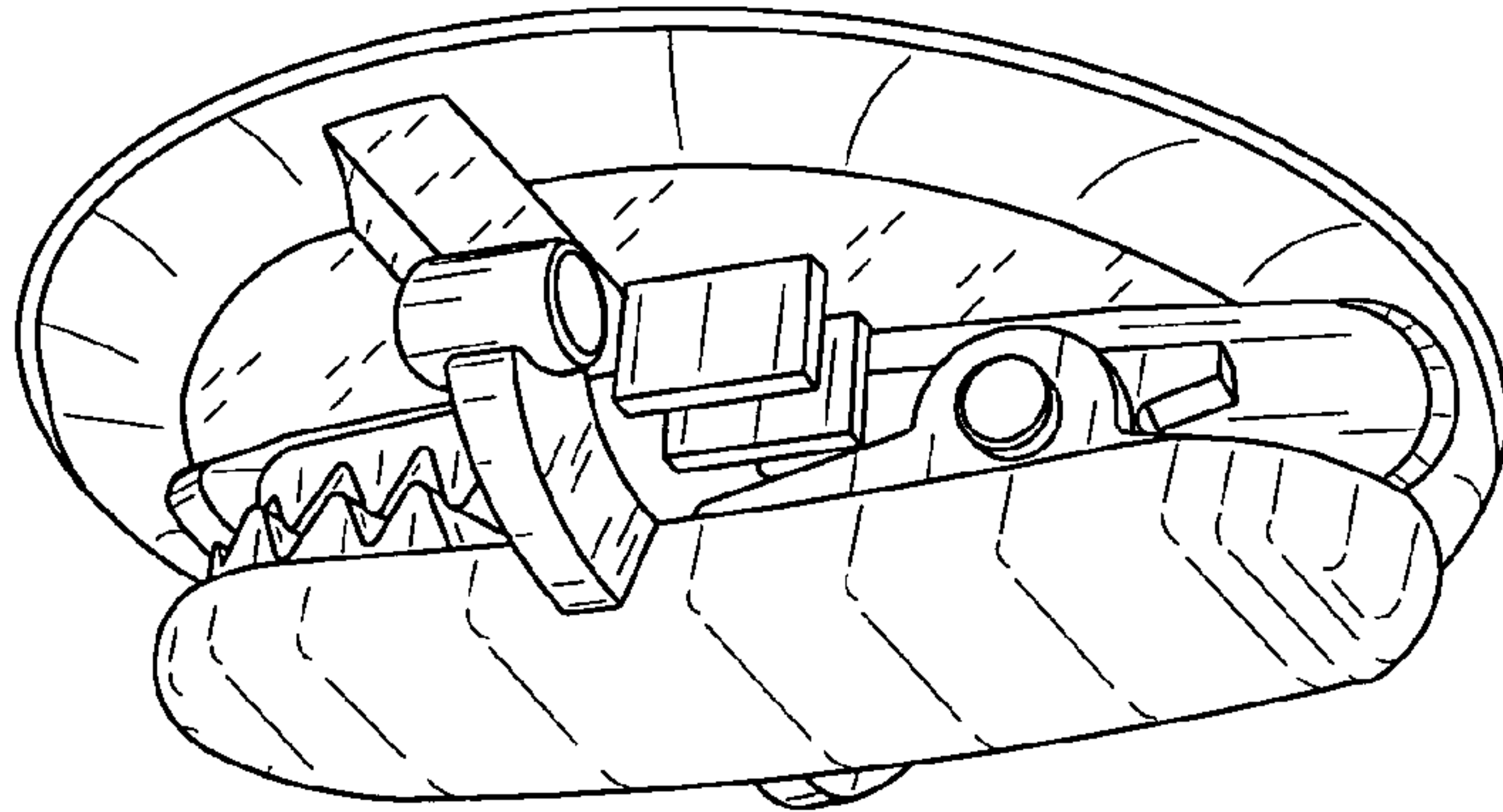


FIG 1

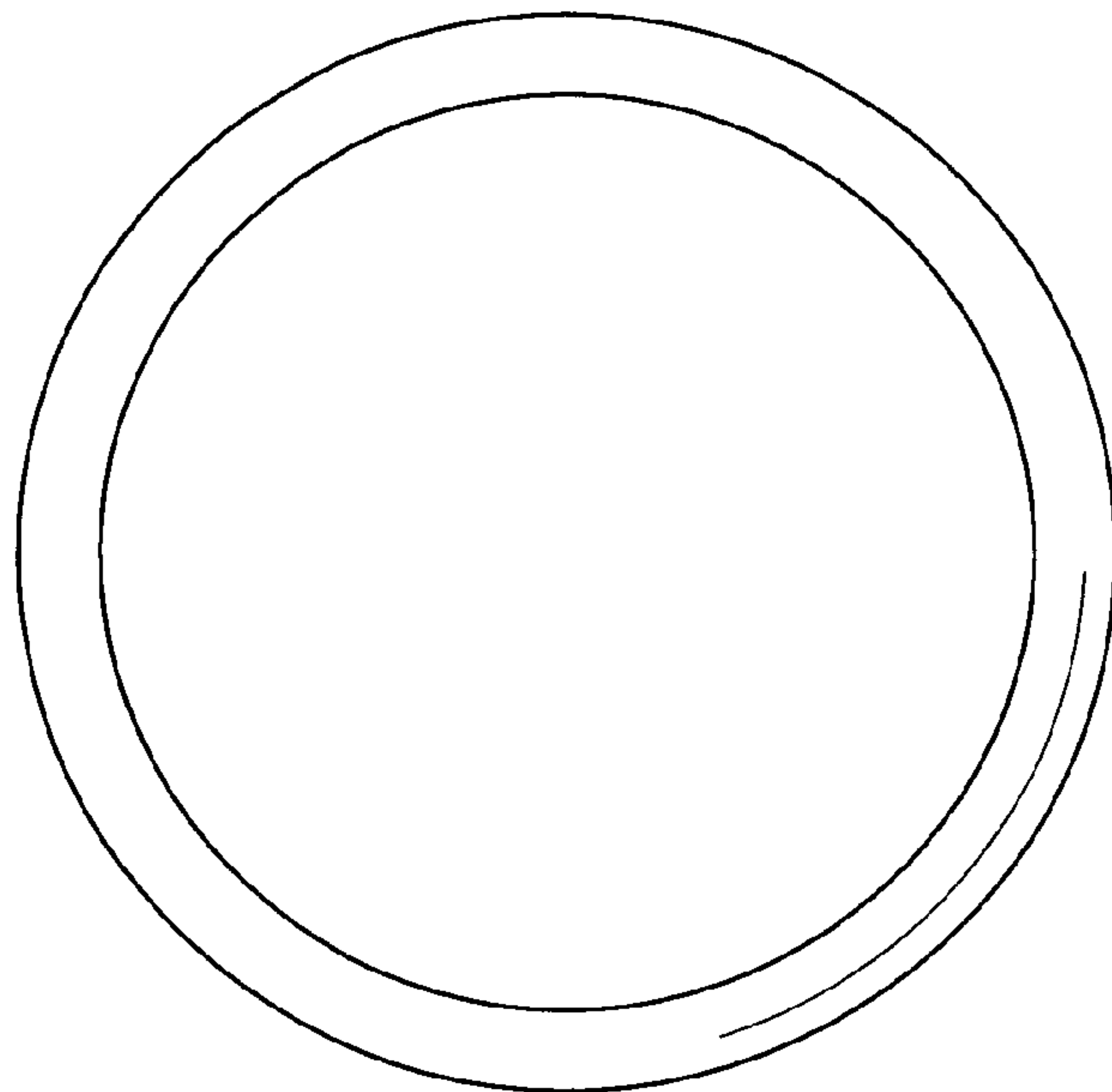


FIG 2

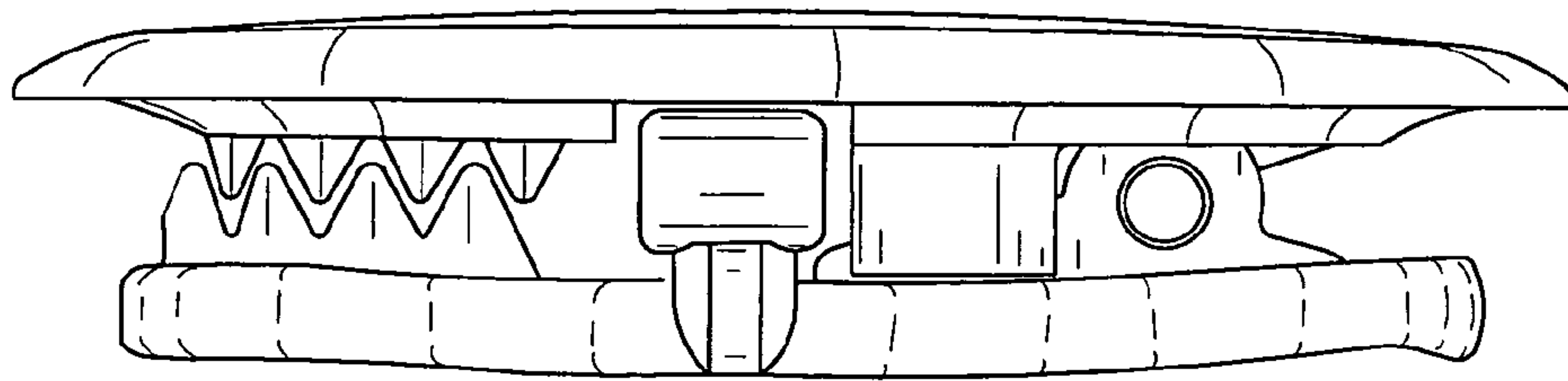


FIG 3

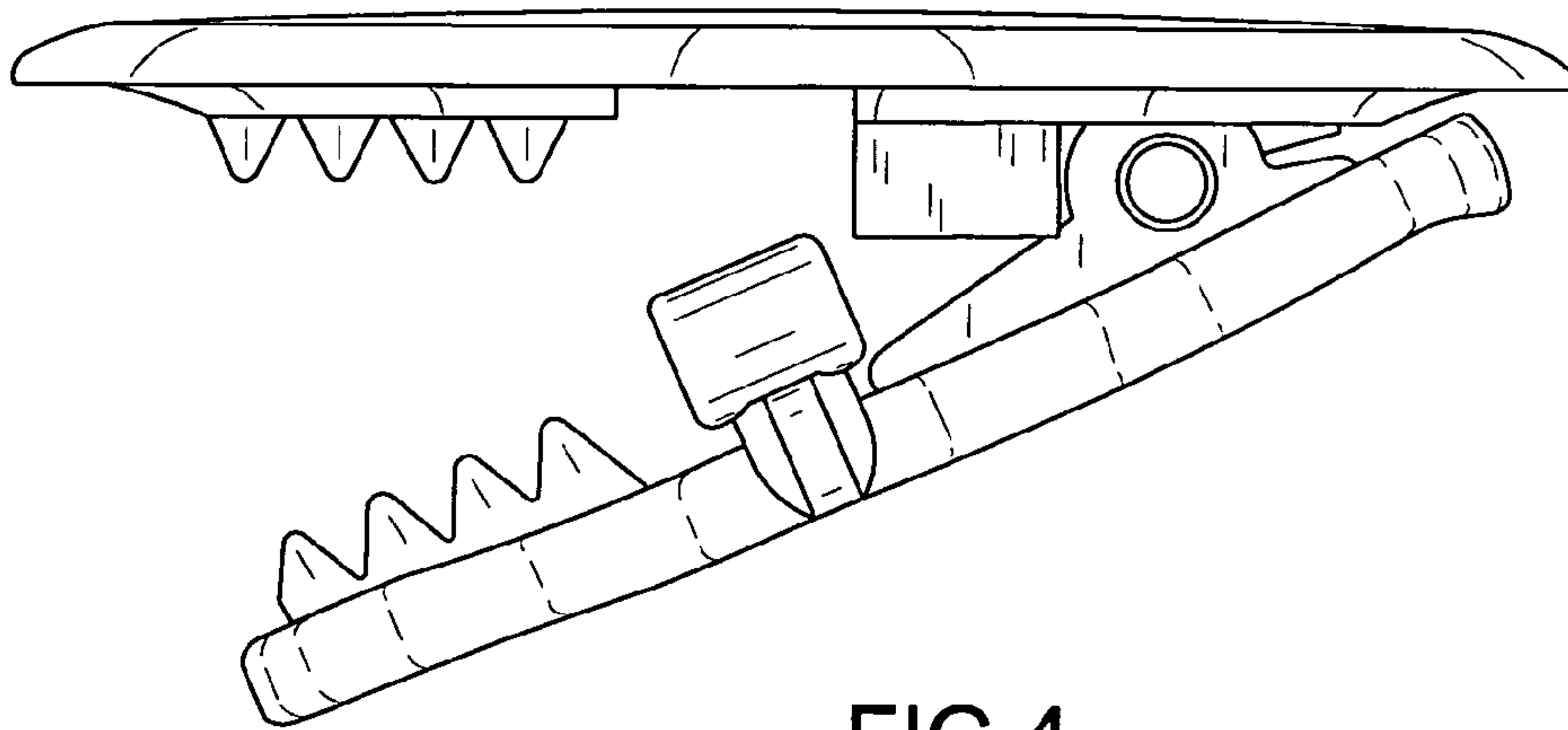


FIG 4

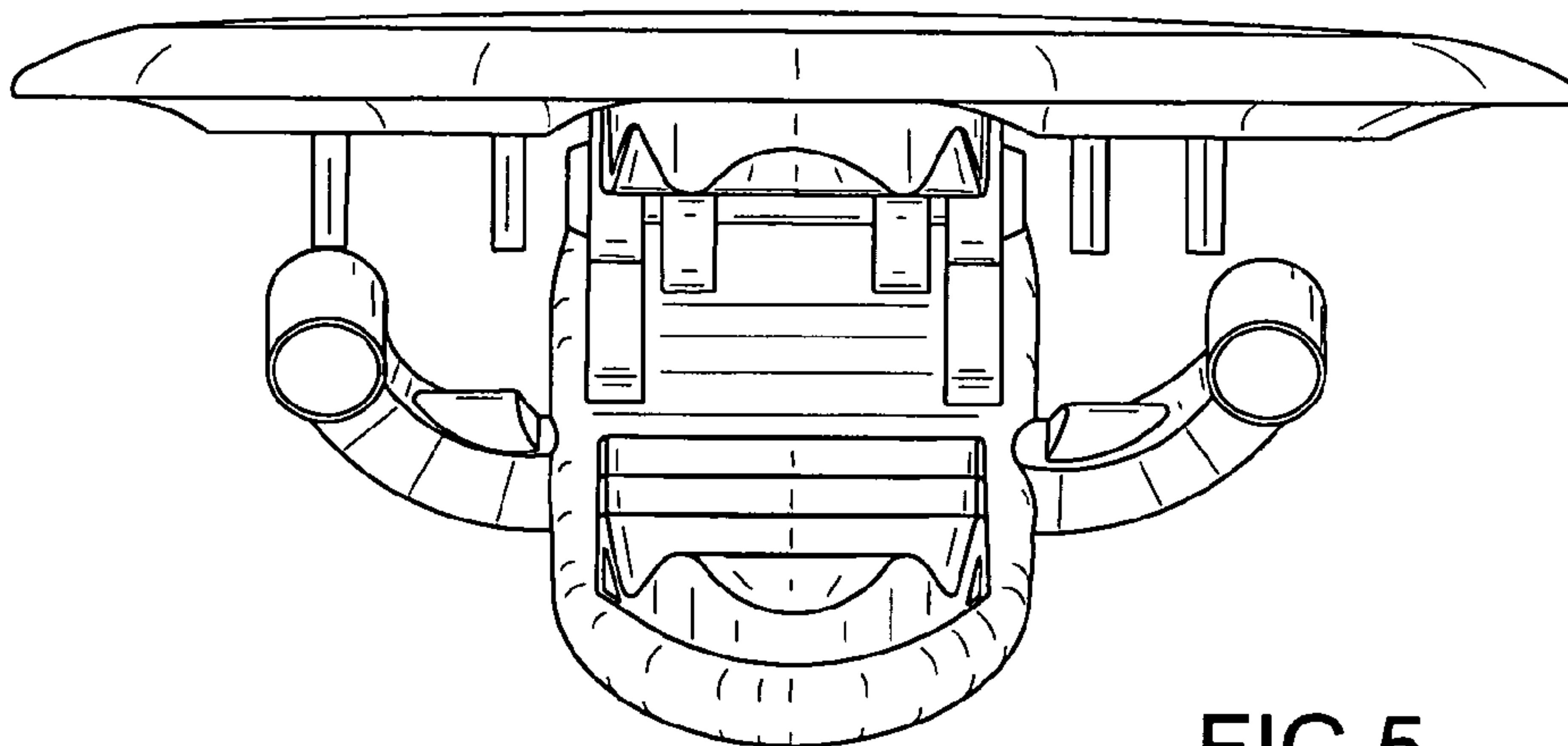


FIG 5

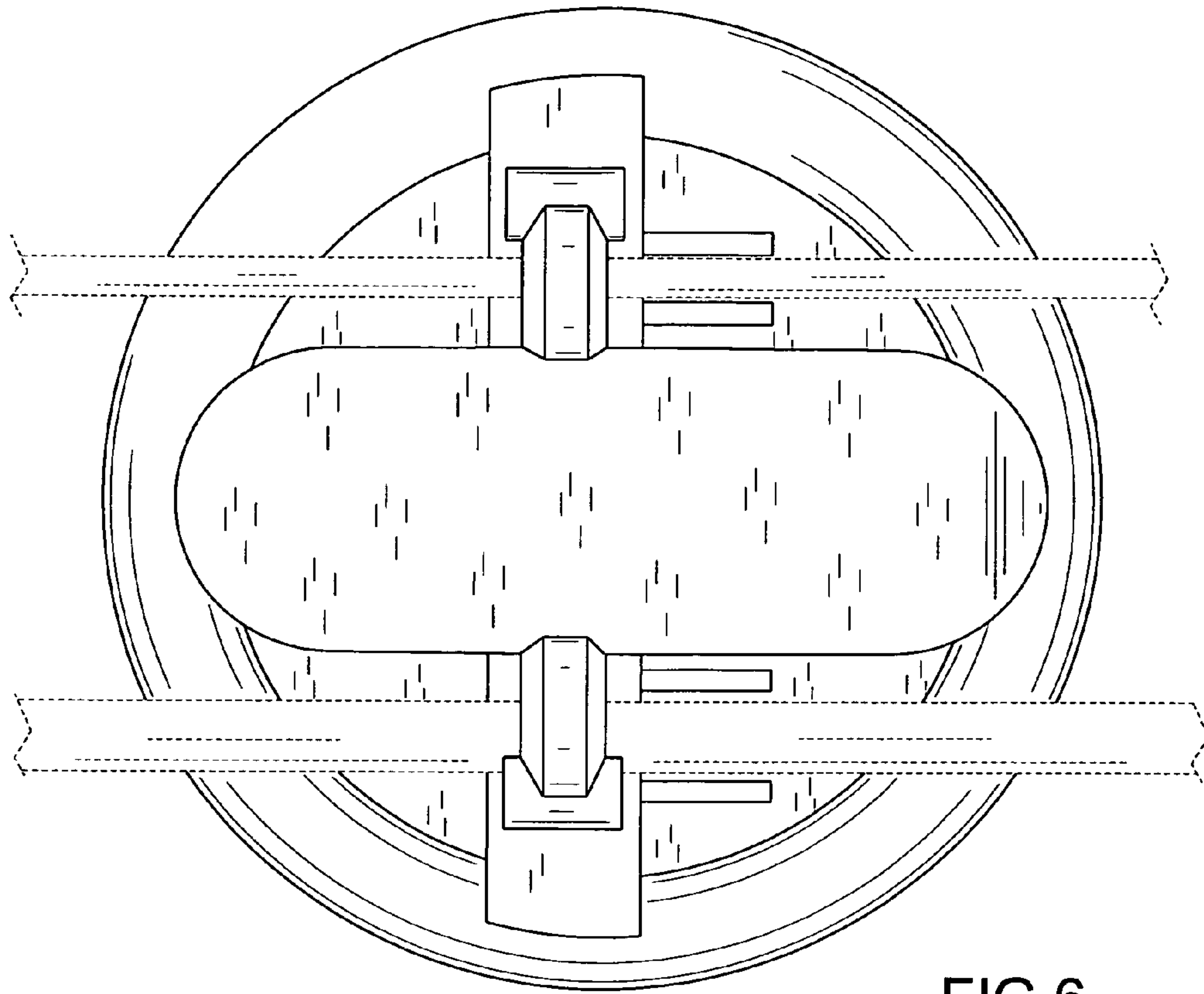


FIG 6

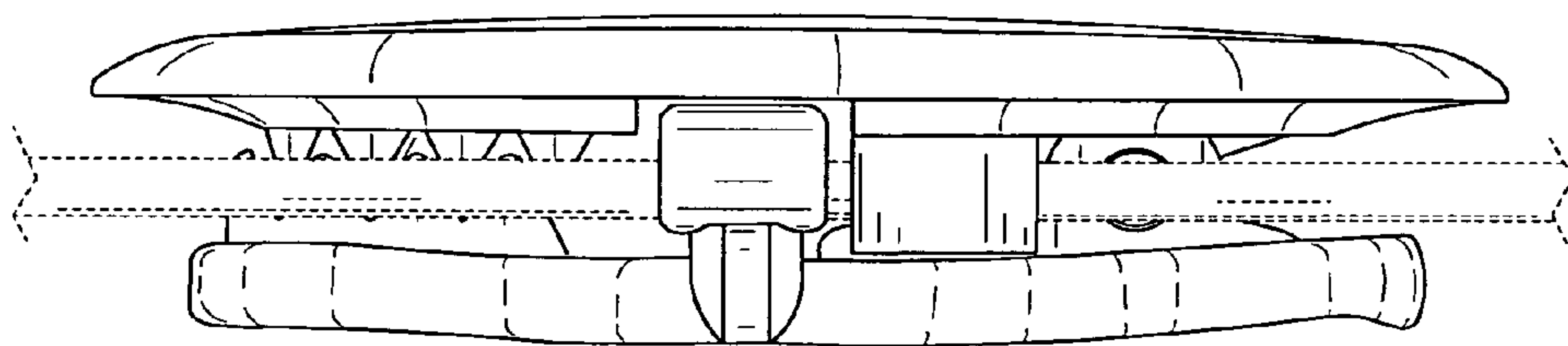


FIG 7

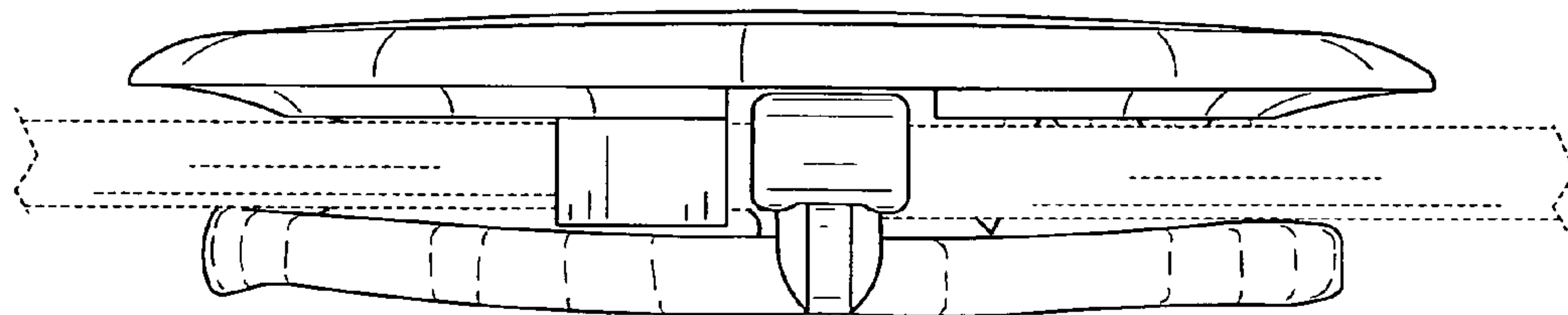


FIG 8