



US00D684848S

(12) **United States Design Patent**
Gasparino

(10) **Patent No.:** **US D684,848 S**

(45) **Date of Patent:** **** Jun. 25, 2013**

(54) **HANGER ASSEMBLY**

(75) Inventor: **Joseph Gasparino**, Peekskill, NY (US)

(73) Assignee: **Richards Homewares, Inc.**, Portland, OR (US)

(**) Term: **14 Years**

(21) Appl. No.: **29/428,527**

(22) Filed: **Jul. 31, 2012**

(51) **LOC (9) Cl.** **08-05**

(52) **U.S. Cl.**
USPC **D8/373**

(58) **Field of Classification Search**

USPC .. D8/356, 367, 354, 349, 394, 373; D24/128;
D25/99; 24/455; 248/62, 63, 65, 74.1, 74.2,
248/75, 313, 316.1, 229.26

See application file for complete search history.

(56) **References Cited**

U.S. PATENT DOCUMENTS

2,244,427	A *	6/1941	Miller	72/339
D364,794	S *	12/1995	Eberschlag	D8/354
6,536,730	B1 *	3/2003	Baer	248/304
D479,378	S *	9/2003	Simpson	D34/35
D556,694	S *	12/2007	Sipe	D13/152
D563,770	S *	3/2008	Payne, Jr.	D8/354
D638,284	S *	5/2011	Craft	D8/373
D654,782	S *	2/2012	Peng	D8/367
D660,132	S *	5/2012	Yoder et al.	D8/354
D660,133	S *	5/2012	Yoder et al.	D8/354

* cited by examiner

Primary Examiner — Cynthia Underwood

(74) *Attorney, Agent, or Firm* — Chernoff Vilhauer LLP

(57) **CLAIM**

The ornamental design for a hanger assembly, as shown and described.

DESCRIPTION

FIG. 1 is a top plan view of a ring shown separated for ease of disclosure from the hanger assembly embodying my new design, the bottom plan view being identical thereof;

FIG. 2 is a first side elevational view thereof, the opposite side elevational view being identical thereof;

FIG. 3 is a first end elevational view thereof, the opposite end elevational view being identical thereof;

FIG. 4 is a top plan view of a hanger shown separated for ease of disclosure from the hanger assembly embodying my new design;

FIG. 5 is bottom plan view thereof;

FIG. 6 is a first side elevational view thereof, the opposite side elevation view being identical thereof;

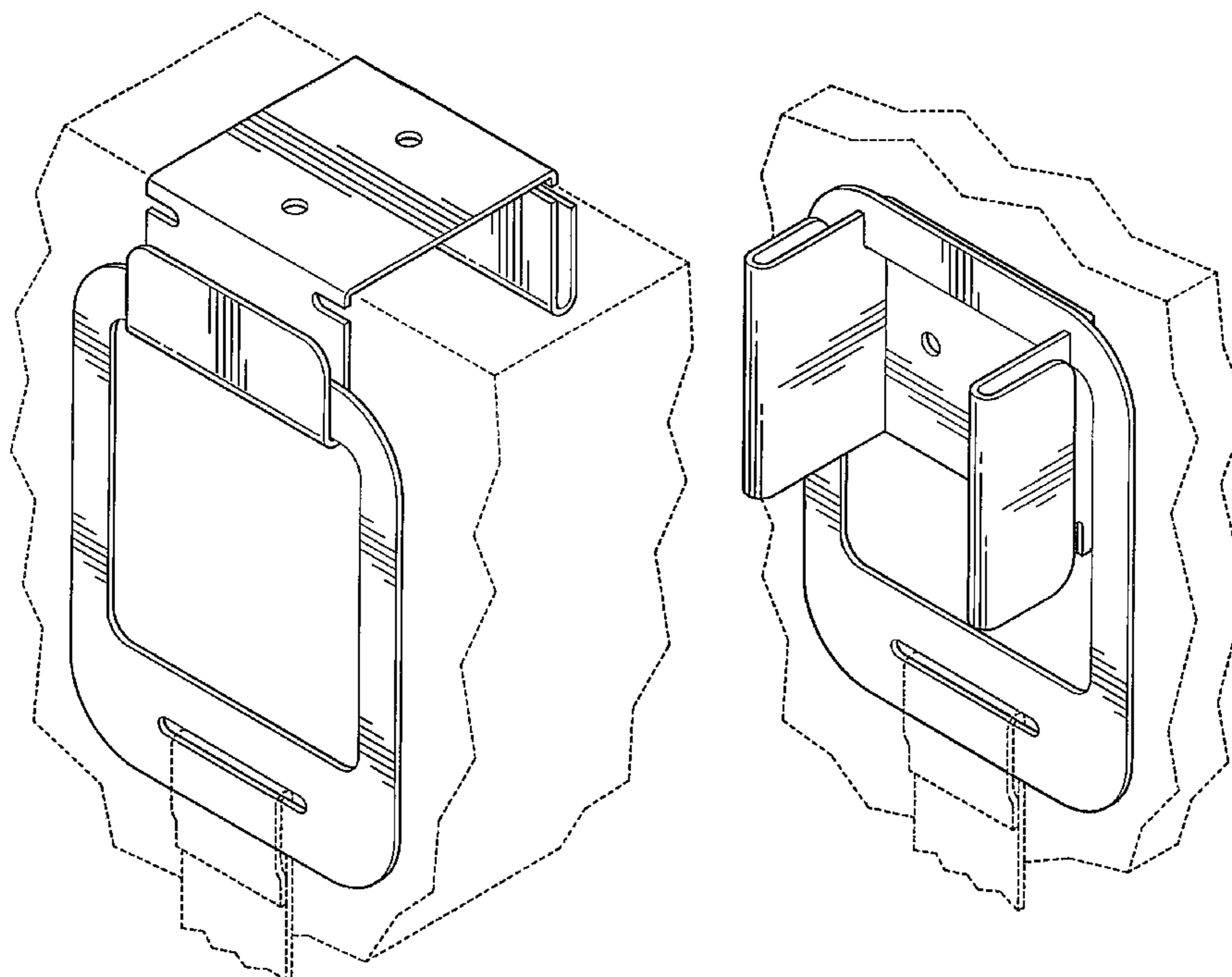
FIG. 7 is a first end elevational view thereof, the opposite end elevational view being identical thereof;

FIG. 8 is a perspective view looking from above of a first configuration of the hanger assembly shown hanging on an unclaimed door; and,

FIG. 9 is a perspective view looking from above of a second configuration of the hanger assembly shown attached to an unclaimed wall.

The broken lines are included for the purpose of illustrating an environment of use and form no part of the claimed design.

1 Claim, 2 Drawing Sheets



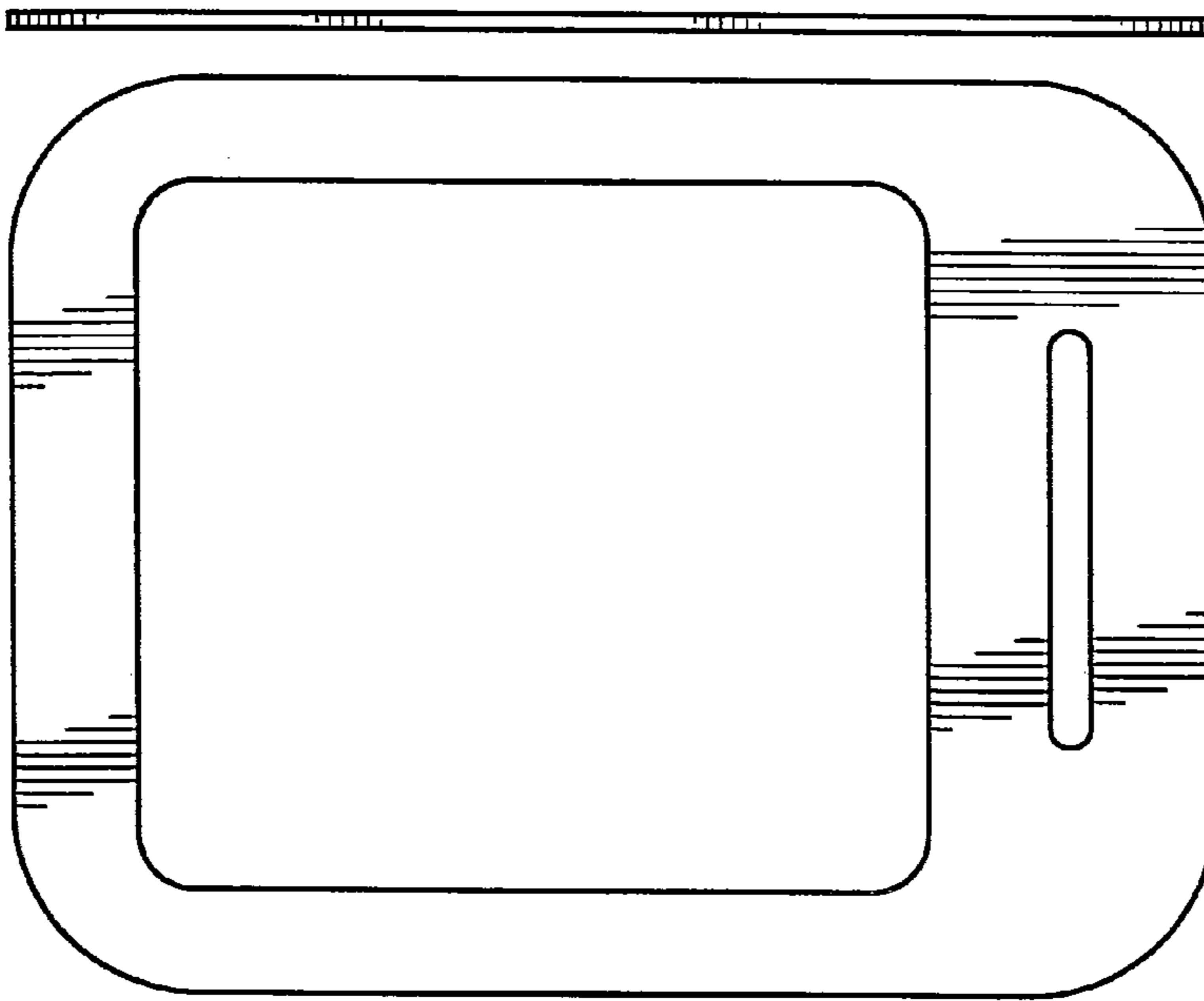


FIG. 1



FIG. 3

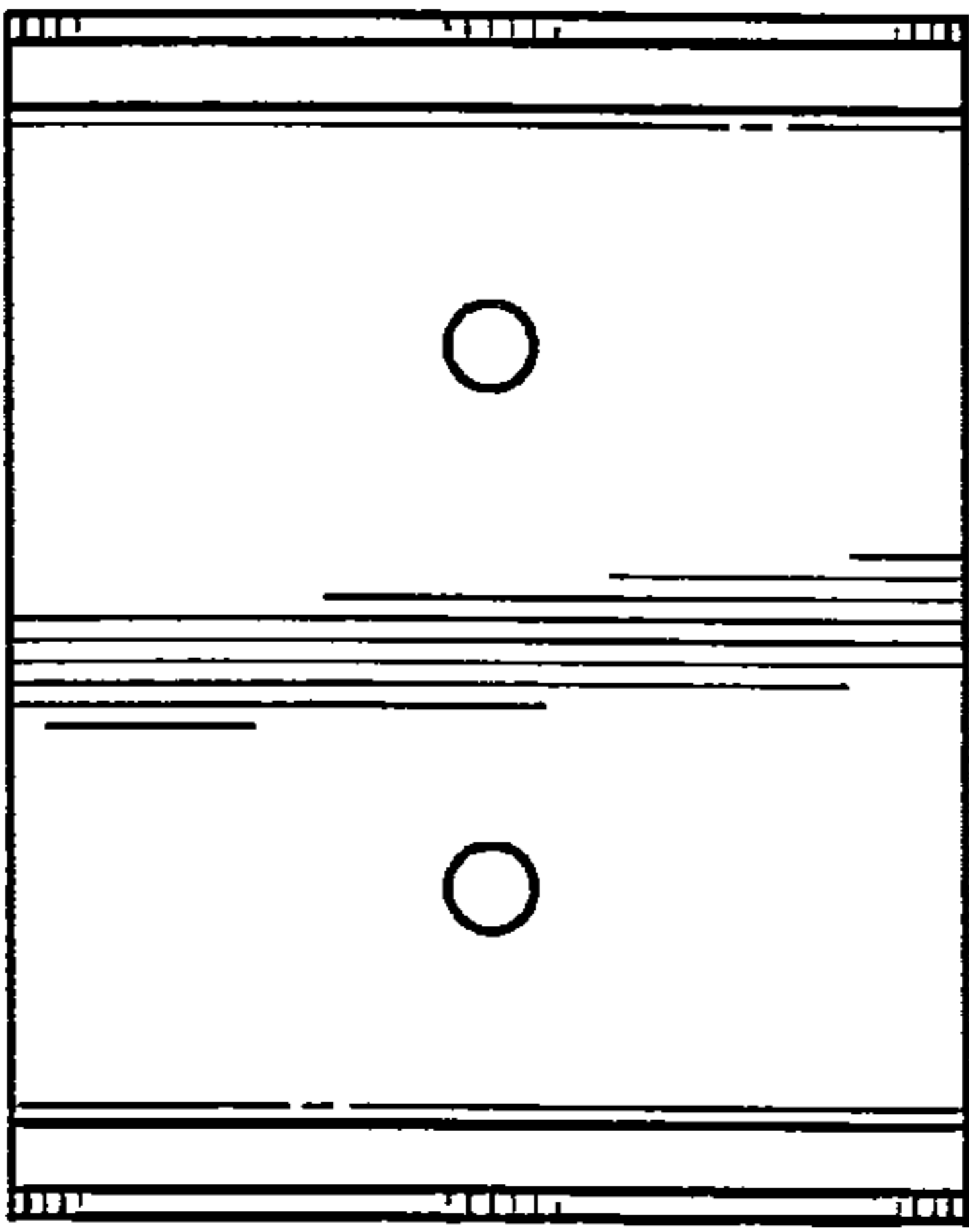


FIG. 4

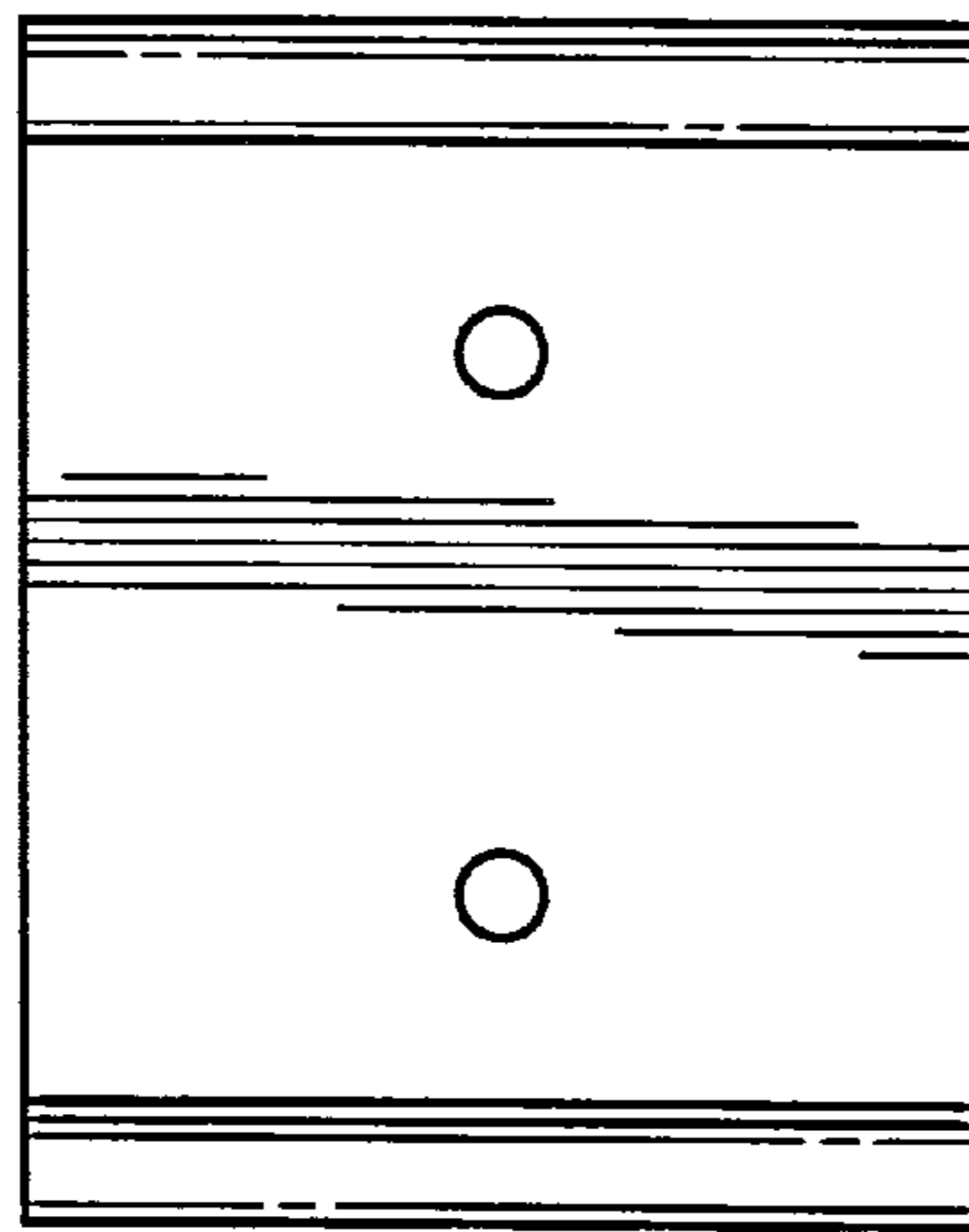


FIG. 5

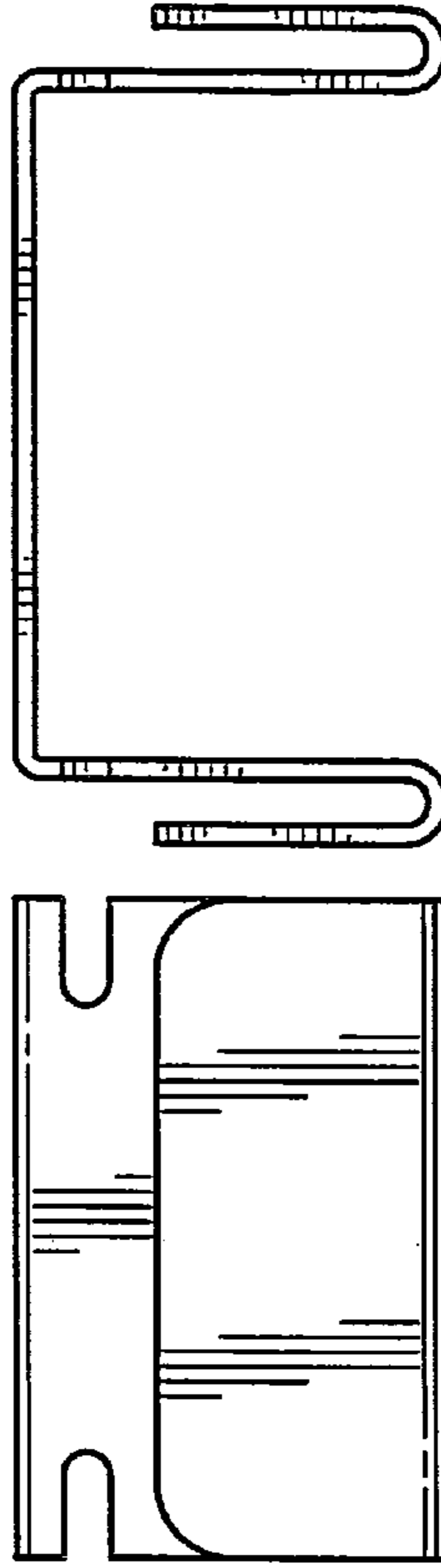


FIG. 6

FIG. 7

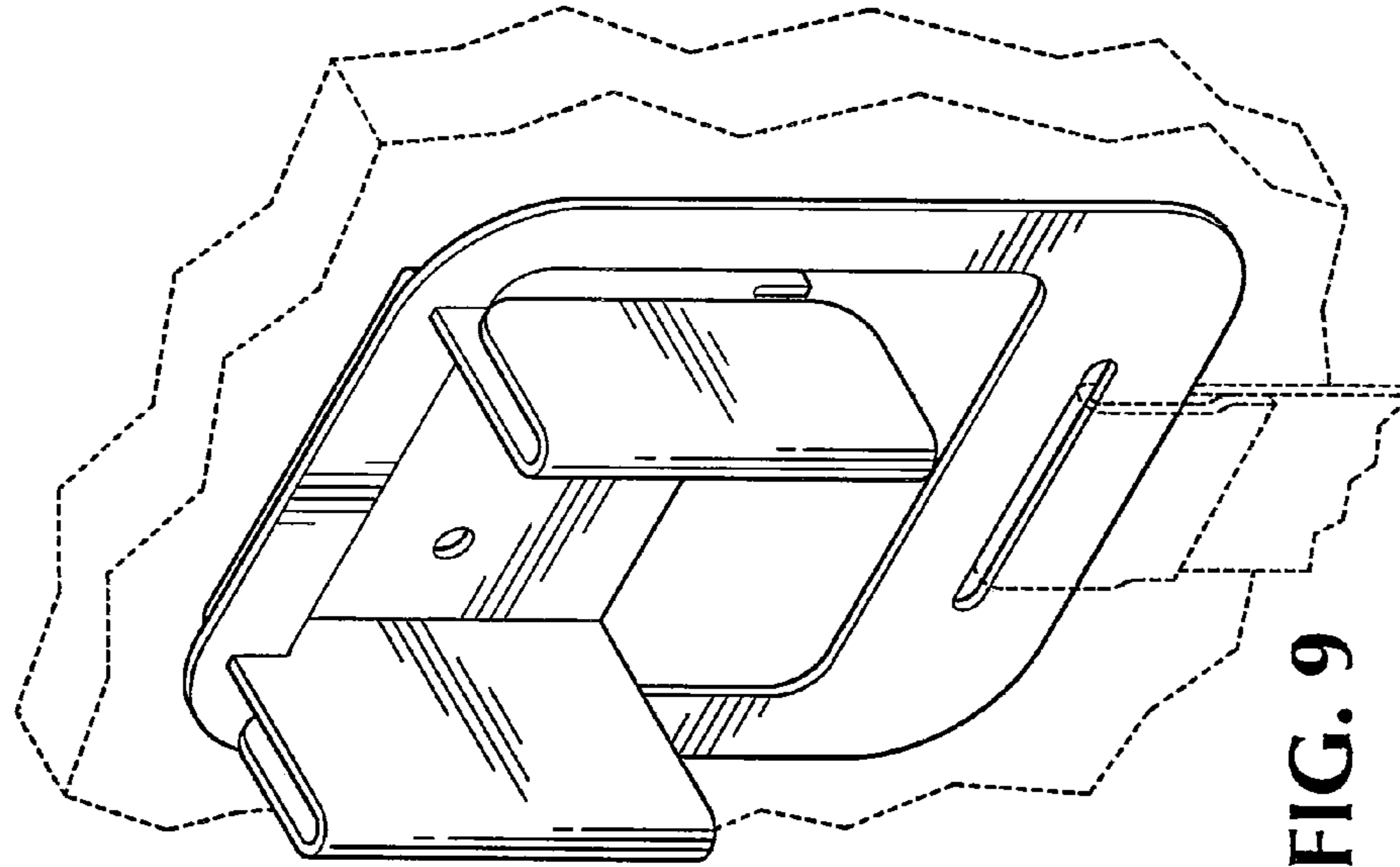


FIG. 9

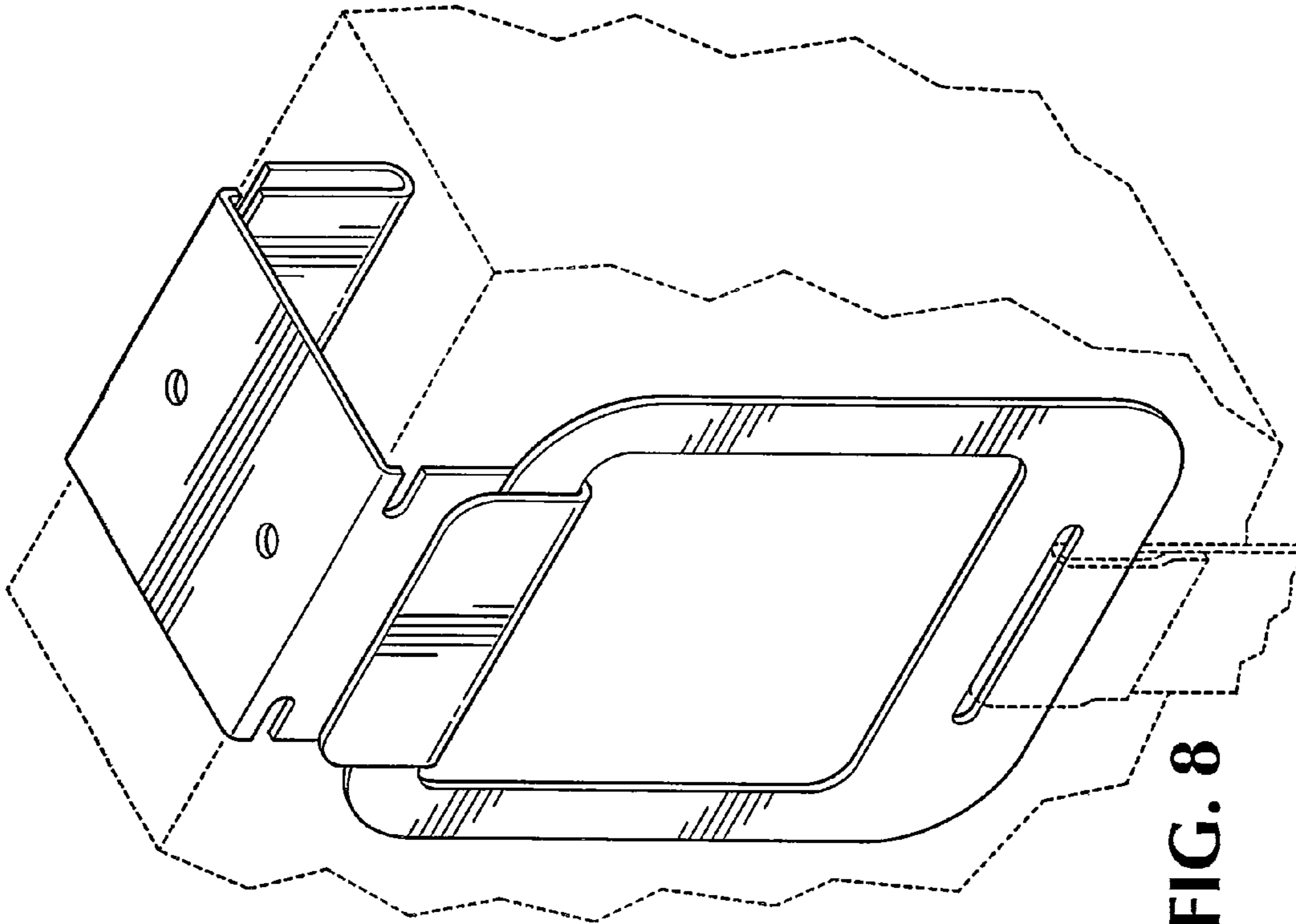


FIG. 8