



US00D684847S

(12) **United States Design Patent**
Browning, Sr.

(10) **Patent No.:** **US D684,847 S**
(45) **Date of Patent:** **** Jun. 25, 2013**

(54) **REWINDING TOOL**

(76) Inventor: **Samuel J. Browning, Sr.**, Northfield,
MA (US)

(**) Term: **14 Years**

(21) Appl. No.: **29/374,132**

(22) Filed: **Jul. 5, 2011**

(51) **LOC (9) Cl.** **08-05**

(52) **U.S. Cl.**
USPC **D8/359**

(58) **Field of Classification Search**
USPC ... D8/14, 51, 44, 70, 356, 358-359; 242/390,
242/395; 254/243, 323
See application file for complete search history.

(56) **References Cited**

U.S. PATENT DOCUMENTS

5,433,565	A *	7/1995	Chan	410/103
5,775,175	A	7/1998	Salemno et al.	
D423,332	S	4/2000	Salter	
6,102,637	A *	8/2000	Mocci	410/103
6,398,470	B1 *	6/2002	Mosley	410/100

D487,482	S *	3/2004	Disher	D19/65
D495,348	S *	8/2004	Brasseur	D15/144
6,824,339	B1	11/2004	Childers	
D499,327	S *	12/2004	Breneman	D8/309
6,916,143	B2 *	7/2005	Guenther	410/103
6,966,543	B2	11/2005	Loudamy	
7,017,847	B2 *	3/2006	Treat	242/395
7,464,916	B1	12/2008	Drinkhorn	
7,837,178	B2 *	11/2010	Westberg	254/243
2008/0029745	A1	2/2008	Chartier	

* cited by examiner

Primary Examiner — Philip S Hyder
Assistant Examiner — Roselyne Cody
(74) *Attorney, Agent, or Firm* — Stan Collier, Esq.

(57) **CLAIM**
The ornamental design for a rewinding tool, as shown.

DESCRIPTION

U.S. Utility Patent Application entitled "Tie-Down Rewinding Tool" by the same inventor to be filed.
FIG. 1 is a side view of a rewinding tool;
FIG. 2 is a front view thereof;
FIG. 3 is a top view thereof; and,
FIG. 4 is a bottom view thereof.

1 Claim, 3 Drawing Sheets

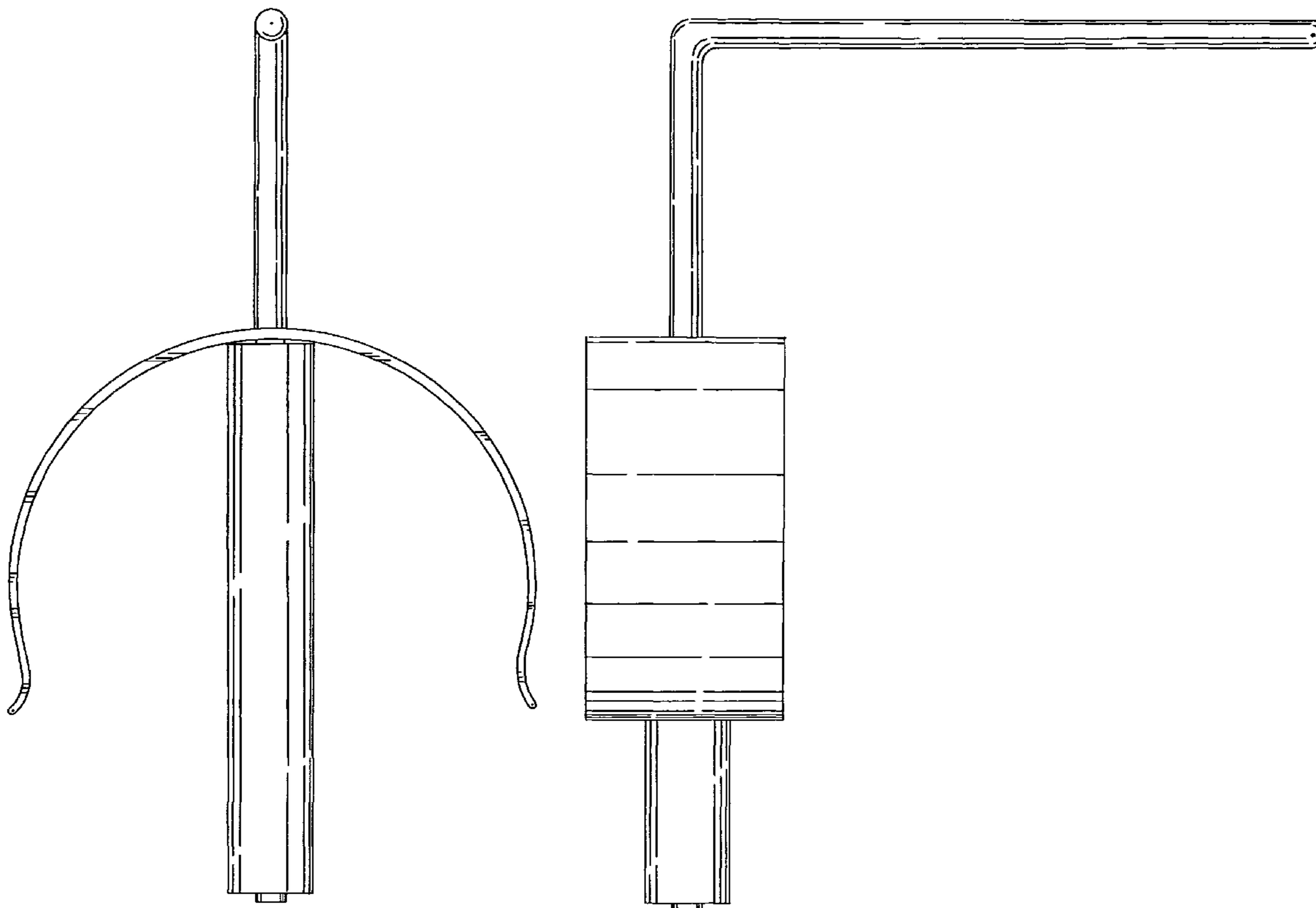


FIG. 1

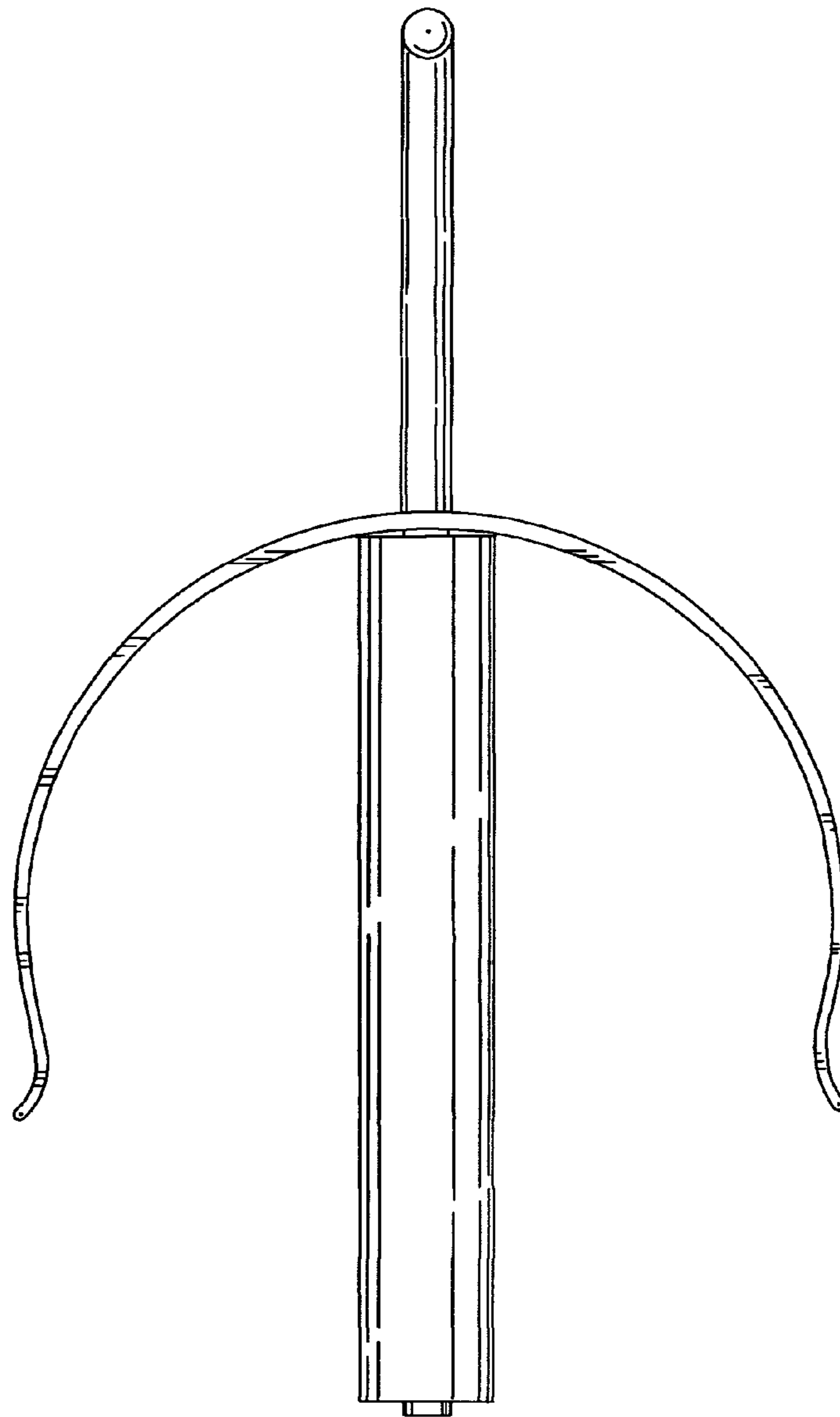
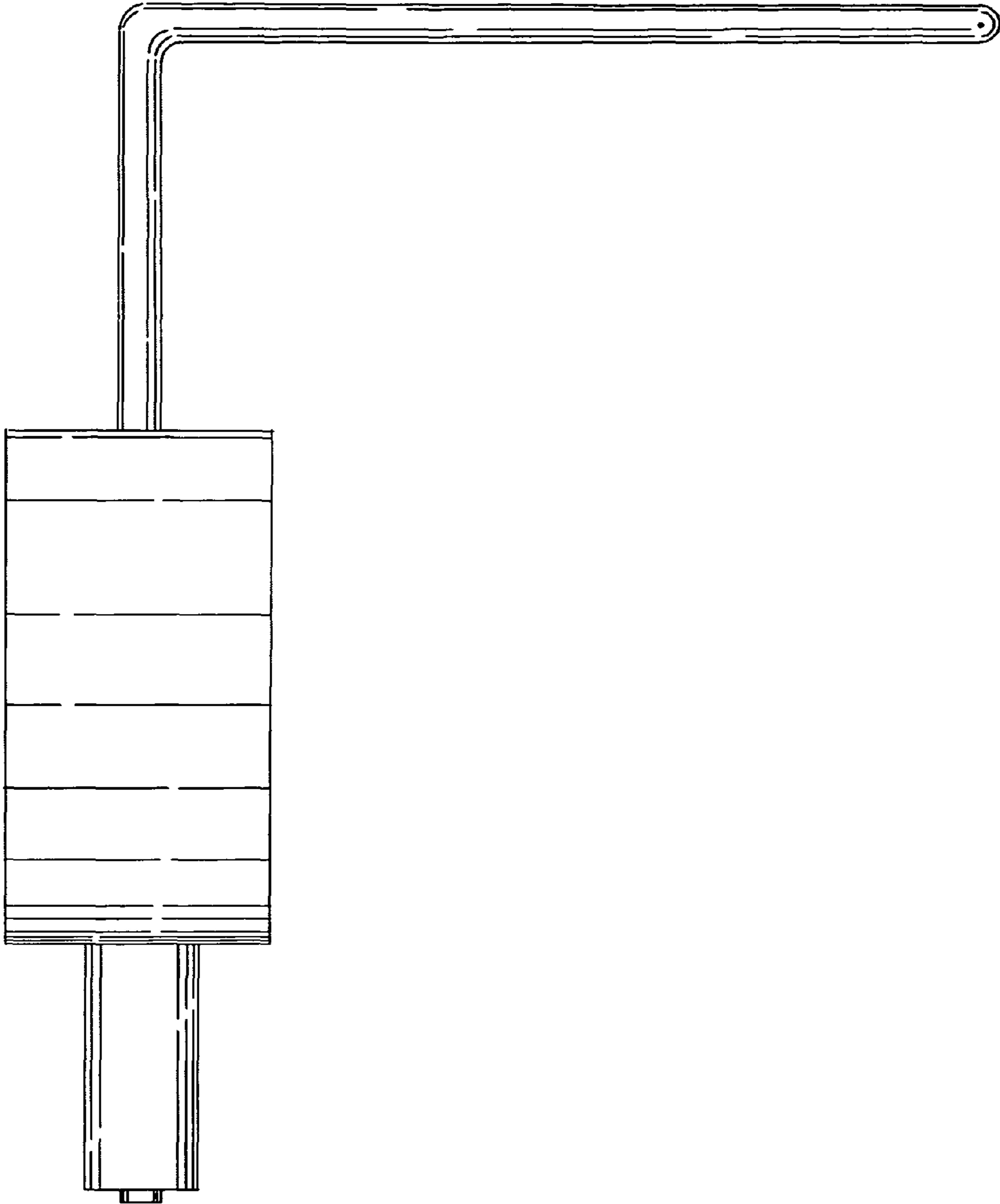


FIG. 2



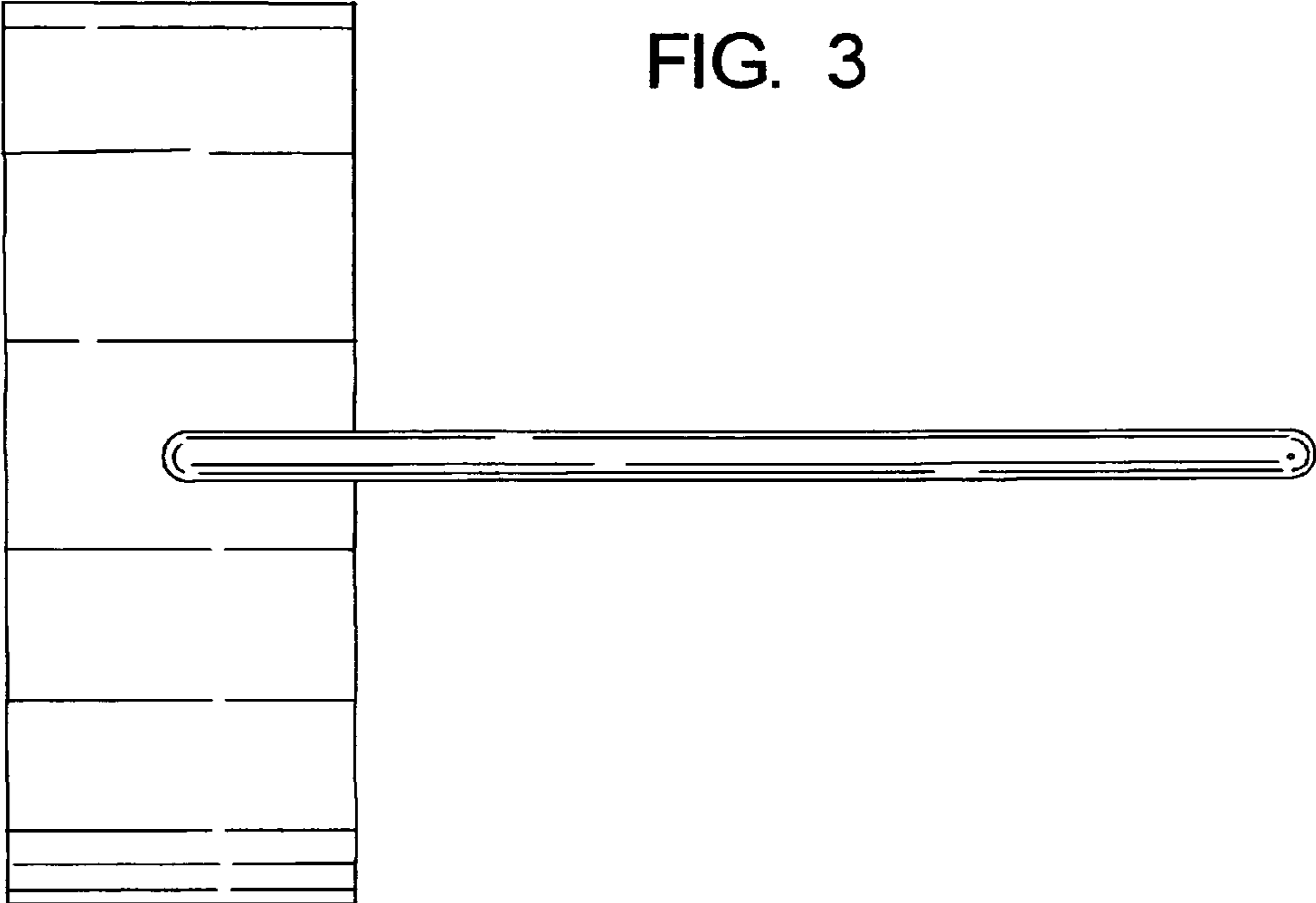


FIG. 3

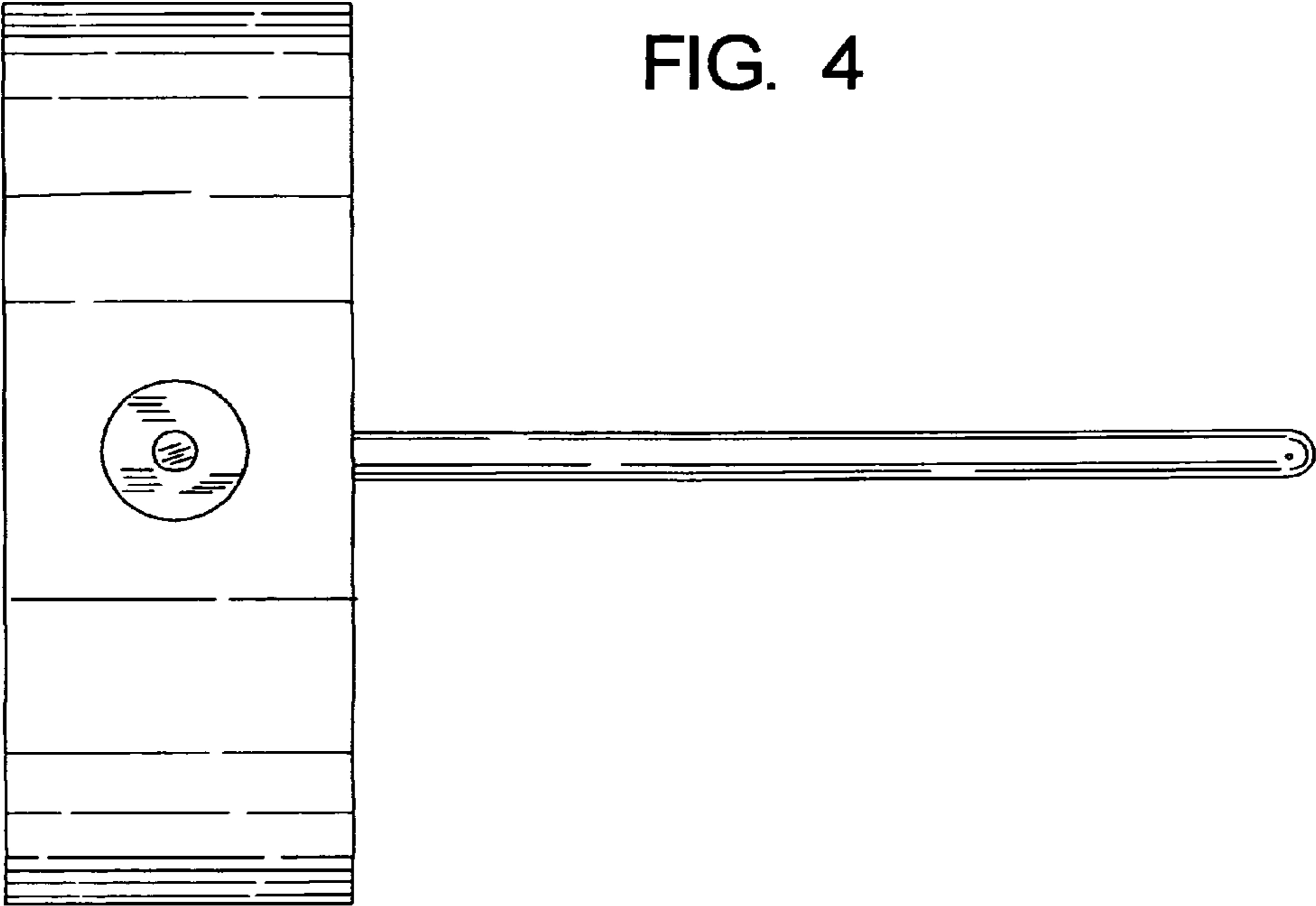


FIG. 4