



US00D684845S

(12) **United States Design Patent**
Wood

(10) **Patent No.:** **US D684,845 S**
(45) **Date of Patent:** **** Jun. 25, 2013**

(54) **RACK FOR A CONTROLLED DESCENT SYSTEM**

(76) Inventor: **Norman E. Wood**, Keyser, WV (US)

(**) Term: **14 Years**

(21) Appl. No.: **29/427,966**

(22) Filed: **Jul. 24, 2012**

Related U.S. Application Data

(63) Continuation of application No. 12/317,601, filed on Dec. 26, 2008, now abandoned, and a continuation-in-part of application No. 13/474,431, filed on May 17, 2012, and a continuation of application No. 12/384,812, filed on Apr. 9, 2009, now abandoned.

(51) **LOC (9) Cl.** **08-05**

(52) **U.S. Cl.**
USPC **D8/356**

(58) **Field of Classification Search**
USPC D8/349, 355, 350-353, 354; 182/3, 182/5, 6, 70, 191-193; 188/65.2, 65.4; 24/129 R, 115 R
See application file for complete search history.

(56) **References Cited**

U.S. PATENT DOCUMENTS

423,312	A *	3/1890	Clark	24/134	R
653,661	A *	7/1900	Conger	24/129	R
2,174,192	A *	9/1939	Meighan	24/129	R
3,757,901	A *	9/1973	Hobbs	188/65.4	
3,889,777	A *	6/1975	George	182/6	
4,311,218	A *	1/1982	Steffen	188/65.4	
4,678,059	A *	7/1987	Bowker	182/5	
4,723,634	A *	2/1988	Fisk	188/65.4	
4,934,484	A *	6/1990	Green et al.	182/5	
5,145,036	A *	9/1992	Omalia	188/65.5	
5,217,092	A *	6/1993	Potter	188/65.4	

5,295,559	A *	3/1994	Nutkins	188/65.4	
5,352,172	A *	10/1994	Suzaki	482/120	
5,360,082	A *	11/1994	Bell	182/3	
5,803,209	A *	9/1998	Suzaki	188/65.2	
D406,048	S *	2/1999	Graham	D8/356	
5,878,833	A *	3/1999	Bell	182/3	
D413,786	S *	9/1999	Graham	D8/356	
6,095,282	A *	8/2000	Sadeck	182/6	
6,131,697	A *	10/2000	Bassett	182/5	
D458,533	S *	6/2002	Sonju	D8/356	
6,814,185	B1 *	11/2004	Ostrobrod	182/193	
6,948,586	B1 *	9/2005	Saucedo	182/5	
6,962,235	B2 *	11/2005	Leon	182/73	
6,962,238	B1 *	11/2005	Ostrobrod	182/193	
7,137,481	B2 *	11/2006	Petzl et al.	182/192	
7,150,757	B2 *	12/2006	Fallin et al.	606/232	
7,566,339	B2 *	7/2009	Fallin et al.	606/232	
7,594,923	B2 *	9/2009	Fallin et al.	606/232	
7,648,126	B2 *	1/2010	Lipke	254/389	

(Continued)

Primary Examiner — Mark Goodwin

(74) *Attorney, Agent, or Firm* — Gary P. Topolosky

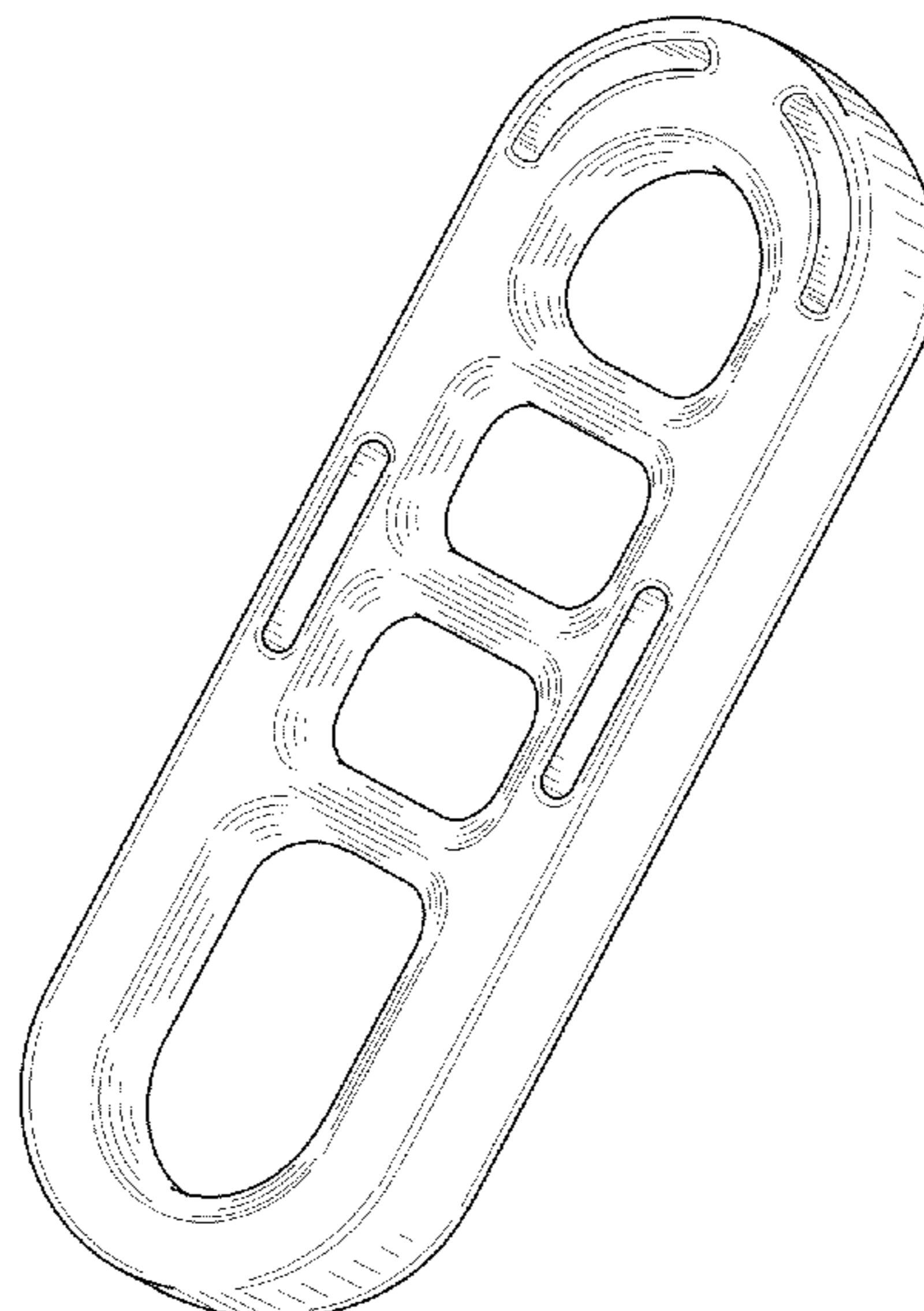
(57) **CLAIM**

The ornamental design for a rack for a controlled descent system, as shown and described.

DESCRIPTION

FIG. 1 is an upper perspective view of a rack for a controlled descent system showing my new design;
FIG. 2 is a front view thereof, the rear view being identical thereof;
FIG. 3 is a top plan view thereof, the bottom plan view being identical thereof;
FIG. 4 is a left side view thereof, the right side view being identical thereof;
FIG. 5 is a sectional view thereof taken along lines V-V of FIG. 2; and,
FIG. 6 is a sectional view thereof taken along lines VI-VI of FIG. 2.

1 Claim, 2 Drawing Sheets



US D684,845 S

Page 2

U.S. PATENT DOCUMENTS

7,722,644	B2 *	5/2010	Fallin et al.	606/232	2006/0113147	A1 *	6/2006	Harris	182/3
7,806,909	B2 *	10/2010	Fallin et al.	606/232	2010/0122874	A1 *	5/2010	Harris, Jr.	182/231
7,866,634	B2 *	1/2011	Lipke	254/389	2010/0163338	A1 *	7/2010	Wood	182/6
8,061,479	B2 *	11/2011	Harris, Jr.	182/3	2010/0252361	A1 *	10/2010	Wood	182/6
8,167,086	B1 *	5/2012	Brendley et al.	182/5	2012/0048646	A1 *	3/2012	Harris, Jr.	182/6
8,292,041	B1 *	10/2012	Shull	188/65.4	2012/0073904	A1 *	3/2012	Harris, Jr.	182/231
8,312,964	B2 *	11/2012	Harris, Jr.	182/3	2012/0186907	A1 *	7/2012	Brendley et al.	182/5
2004/0168855	A1 *	9/2004	Leon	182/236	2012/0222912	A1 *	9/2012	Wood	182/6
2005/0082115	A1 *	4/2005	Petzl et al.	182/5					

* cited by examiner

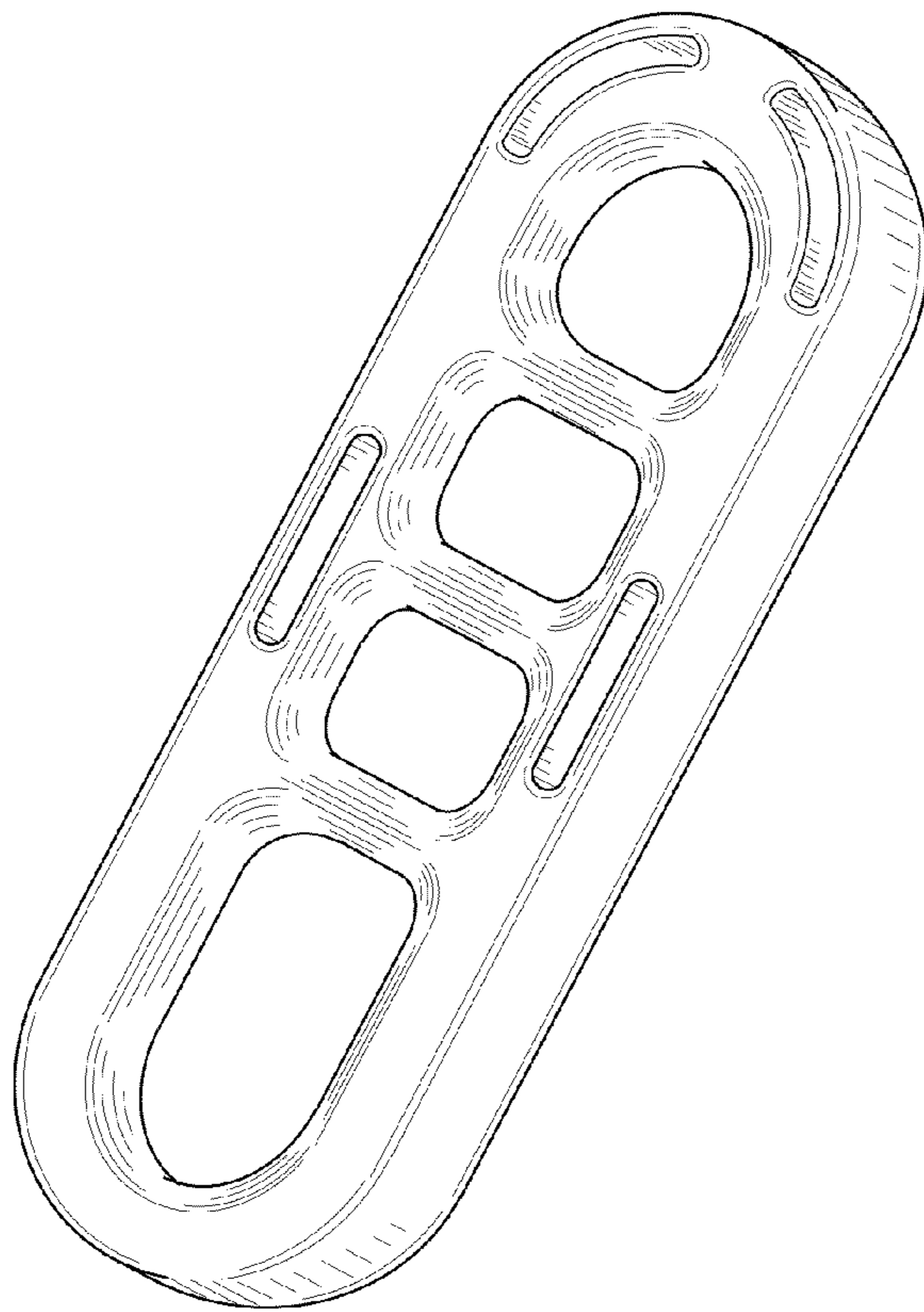


FIG. 1

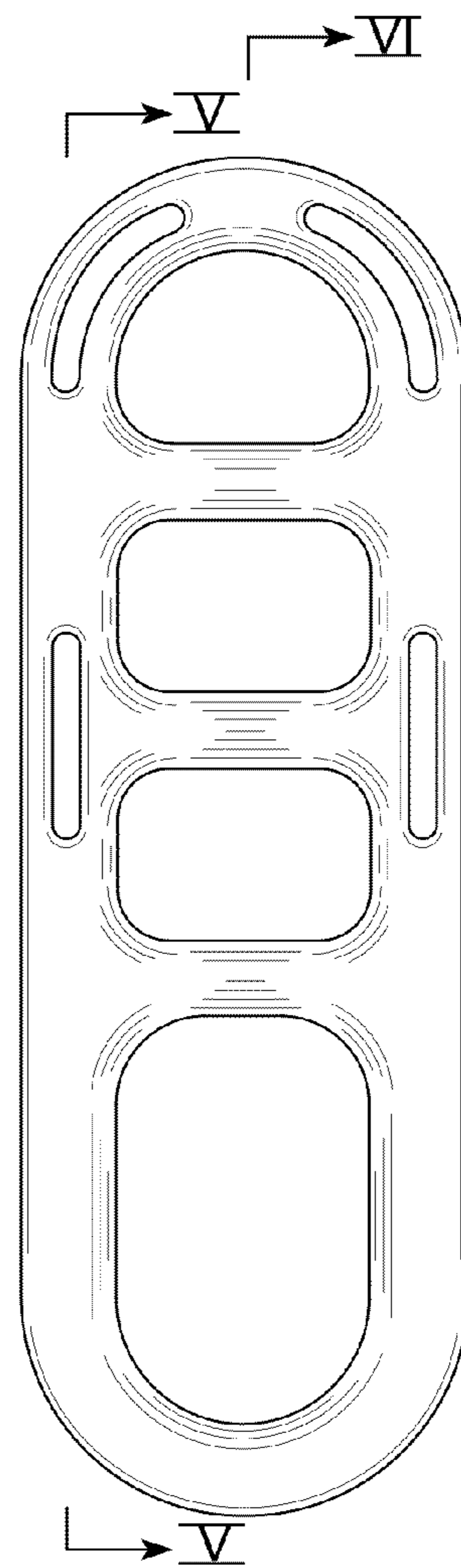


FIG. 2

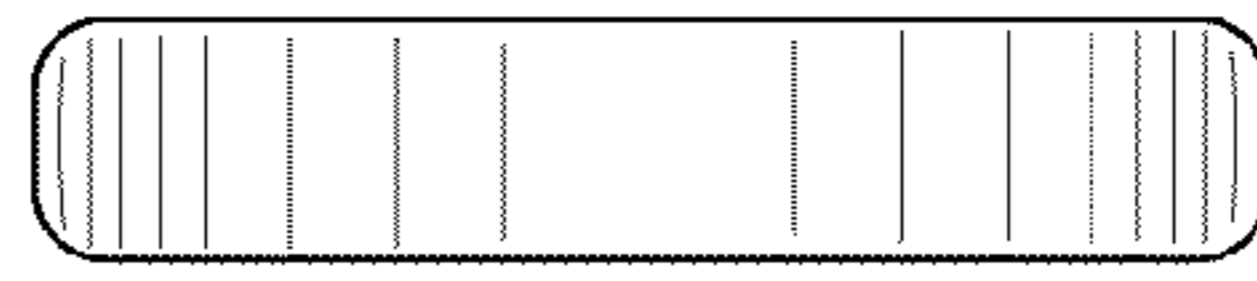


FIG. 3

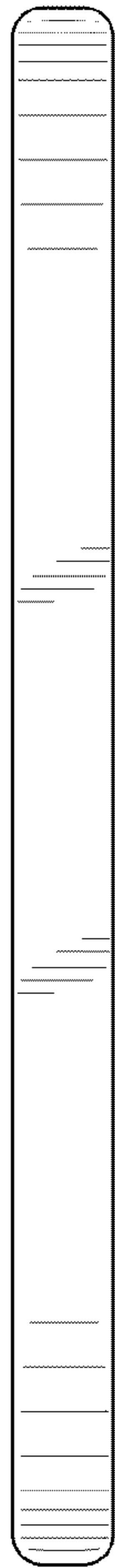


FIG. 4



FIG. 5



FIG. 6