



US00D684844S

(12) **United States Design Patent**
Ferreira

(10) **Patent No.:** **US D684,844 S**
(45) **Date of Patent:** **** Jun. 25, 2013**

(54) **WIRE GRIPPING DEVICE FOR FASTENING, SUPPORTING AND/OR MOUNTING**

D663,194 S * 7/2012 Obolewicz D8/382
D664,832 S * 8/2012 van der Vorst D8/356
D676,734 S * 2/2013 Moreau et al. D8/356

(75) Inventor: **Andre Ferreira**, Sheffield (GB)

FOREIGN PATENT DOCUMENTS

(73) Assignee: **Gripple Limited** (GB)

WO 2009/042626 A1 4/2009

(**) Term: **14 Years**

* cited by examiner

(21) Appl. No.: **29/422,159**

Primary Examiner — Cynthia Underwood

(22) Filed: **May 17, 2012**

(74) *Attorney, Agent, or Firm* — Clark Hill PLC

(51) **LOC (9) Cl.** **08-05**

(52) **U.S. Cl.**
USPC **D8/356**

(58) **Field of Classification Search**
USPC D8/356, 367, 354, 349
See application file for complete search history.

(57) **CLAIM**
The ornamental design for a wire gripping device for fastening, supporting and/or mounting, as shown and described.

(56) **References Cited**

DESCRIPTION

U.S. PATENT DOCUMENTS

D316,032 S * 4/1991 Westphal et al. D8/400
D364,522 S * 11/1995 Haug D6/552
D486,060 S * 2/2004 Lanz D8/382
D535,180 S * 1/2007 Tibbenham et al. D8/382
D632,620 S * 2/2011 Noble et al. D12/160
D653,100 S * 1/2012 Chen D8/356
D658,975 S * 5/2012 Cordova et al. D8/367

FIG. 1 is a perspective view of the wire gripping device;
FIG. 2 is a front view thereof;
FIG. 3 is a back view thereof;
FIG. 4 is a left side view thereof;
FIG. 5 is a right side view thereof;
FIG. 6 is a top view thereof; and,
FIG. 7 is a bottom view thereof.
The broken lines in the drawings depict unclaimed subject matter.

1 Claim, 6 Drawing Sheets

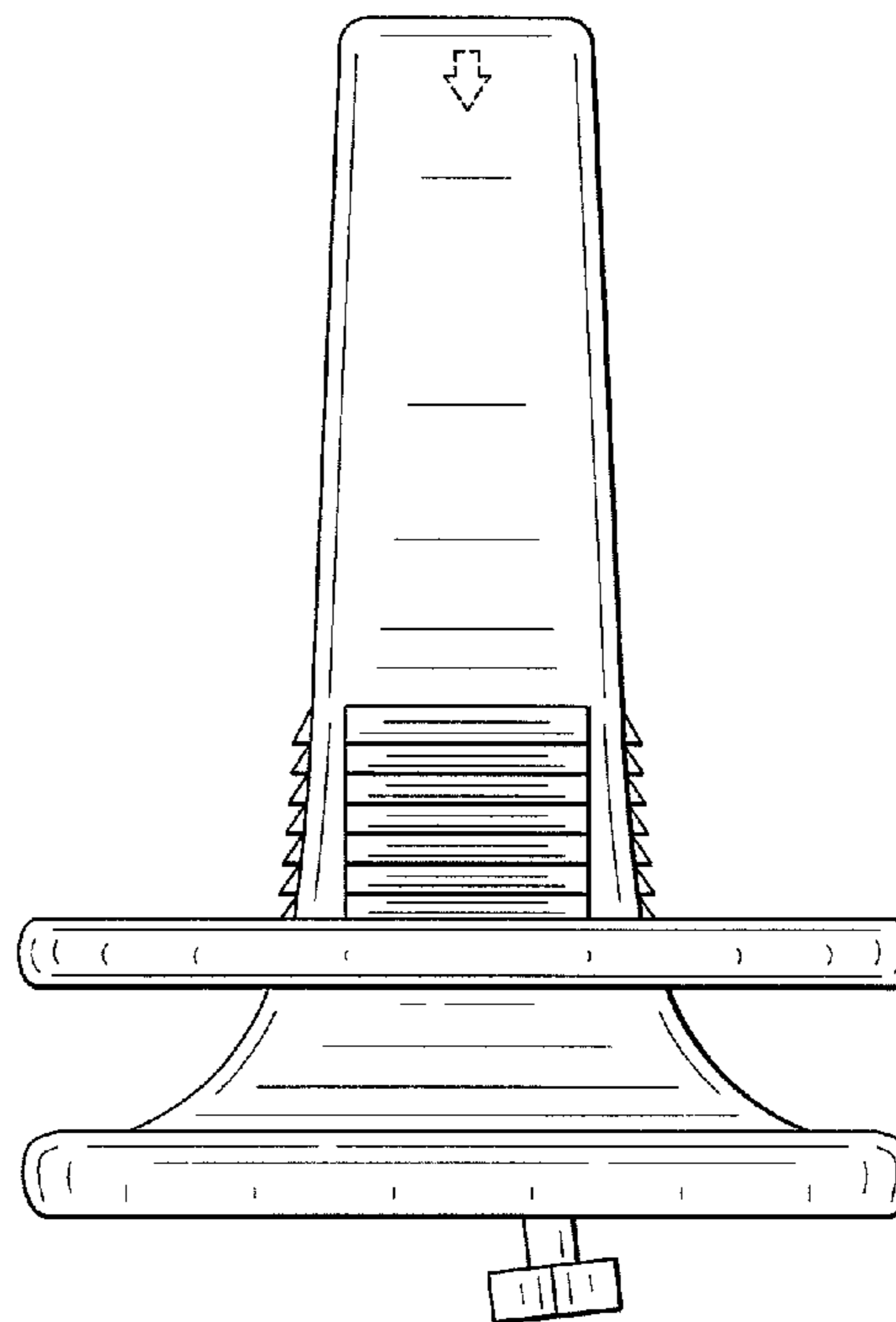
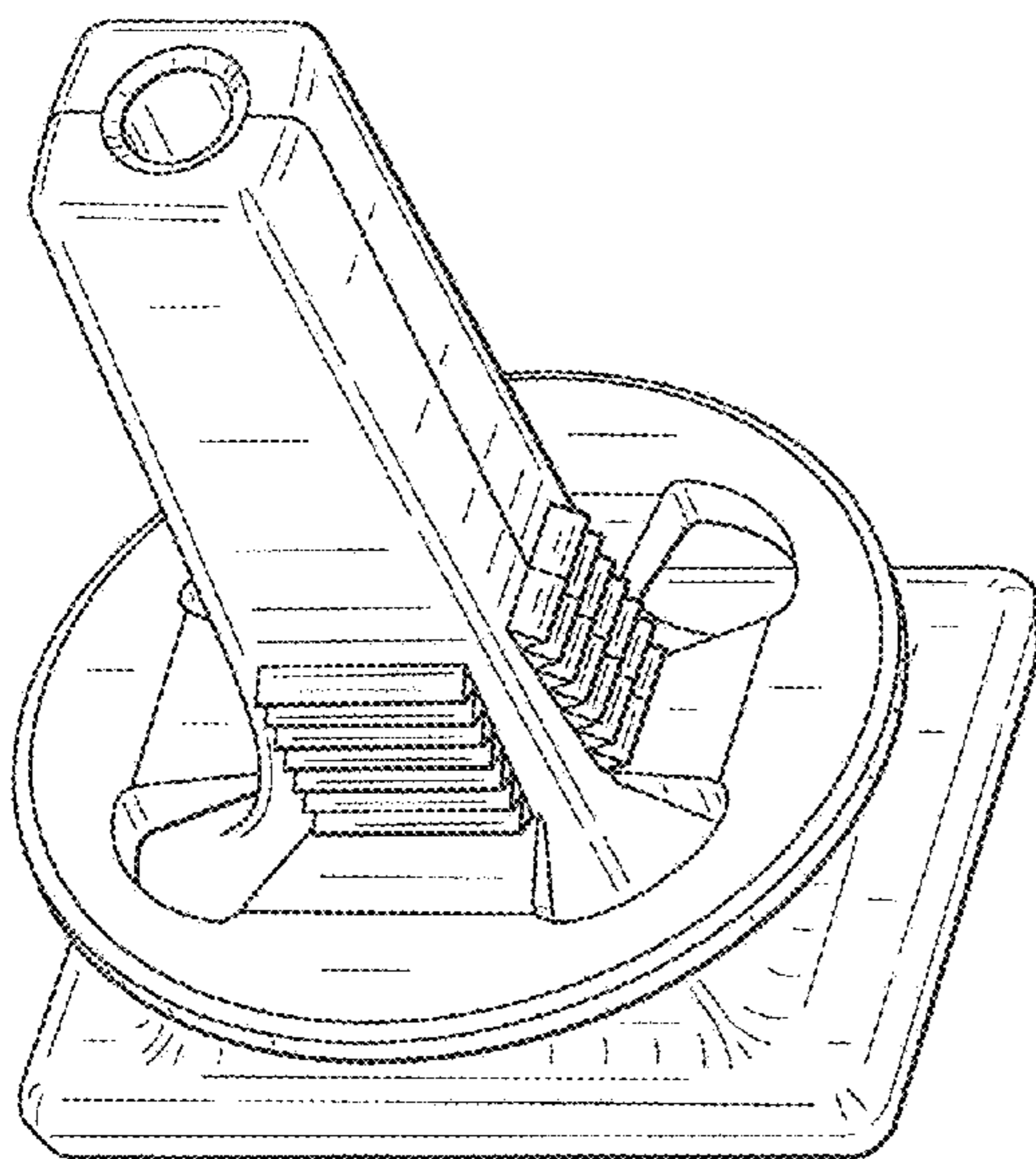


FIG. 1

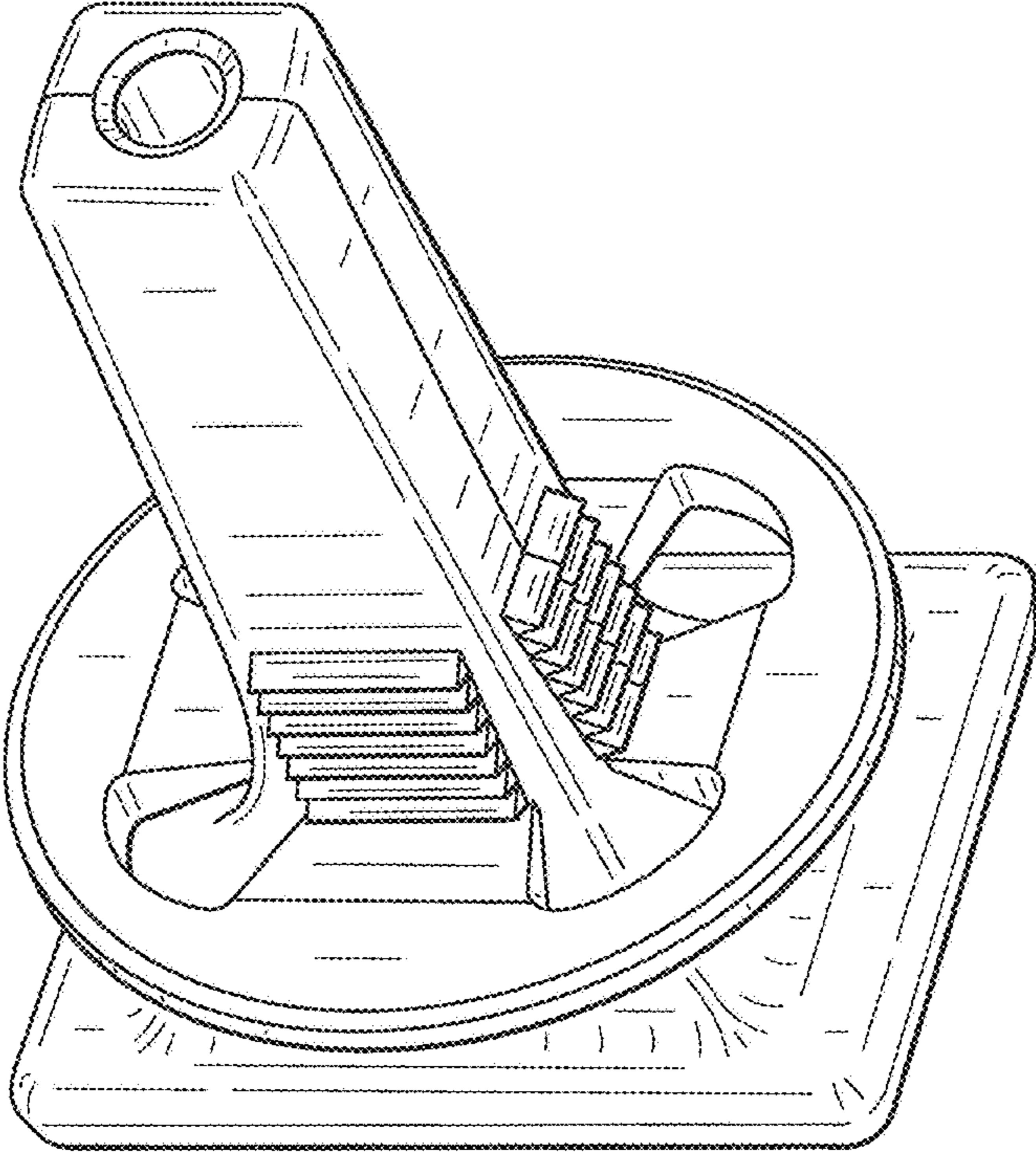


FIG. 2

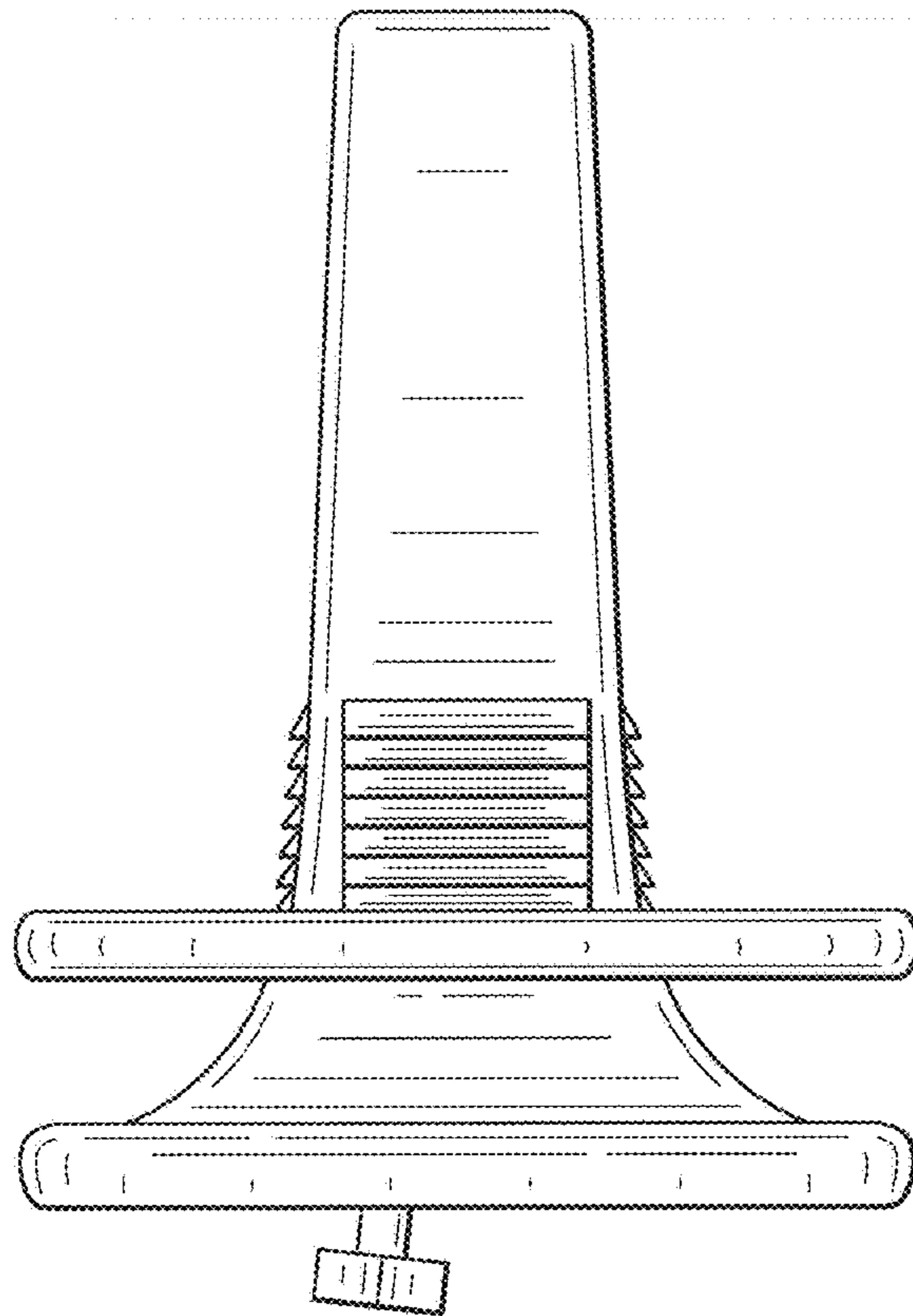


FIG. 3

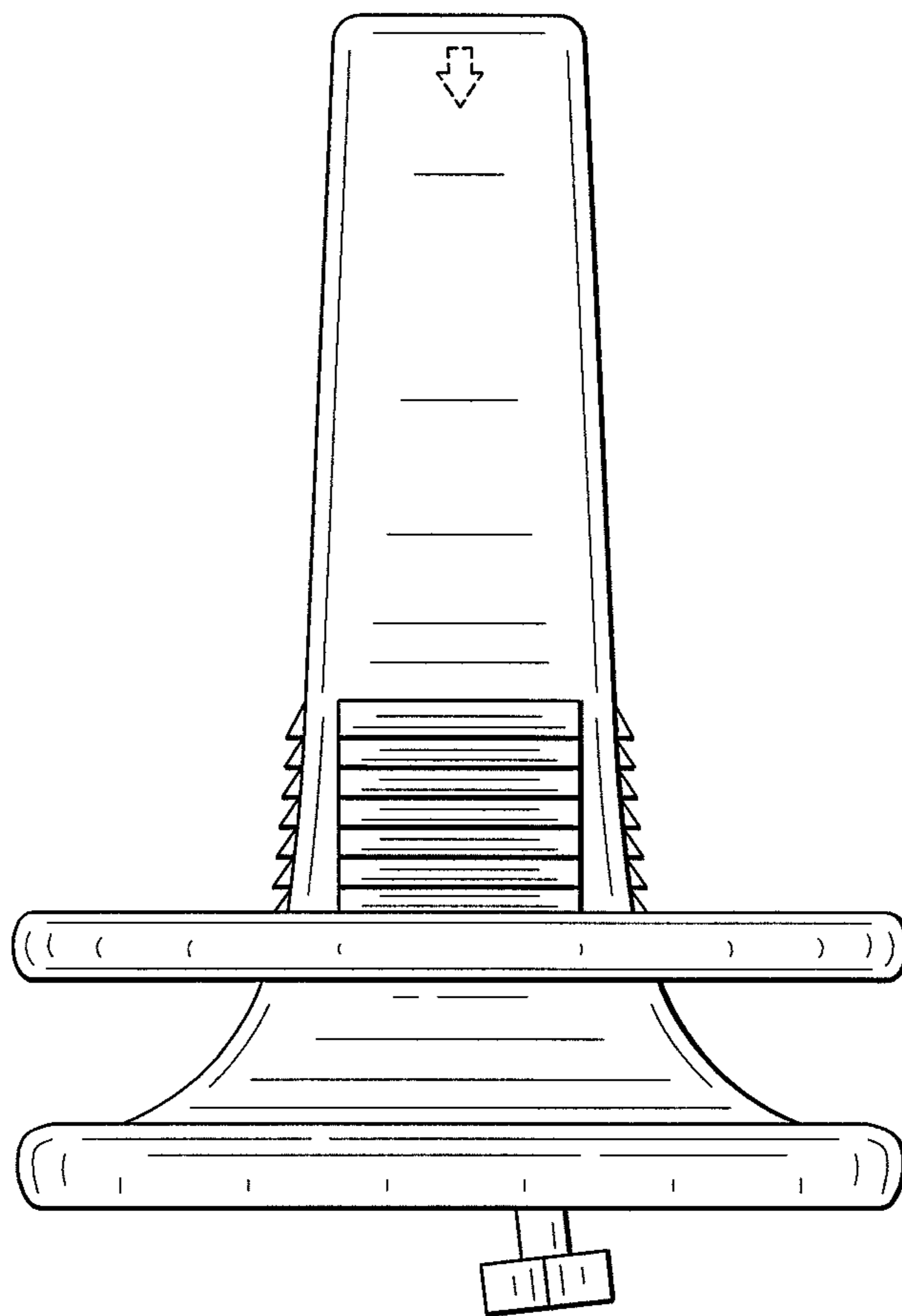


FIG. 4

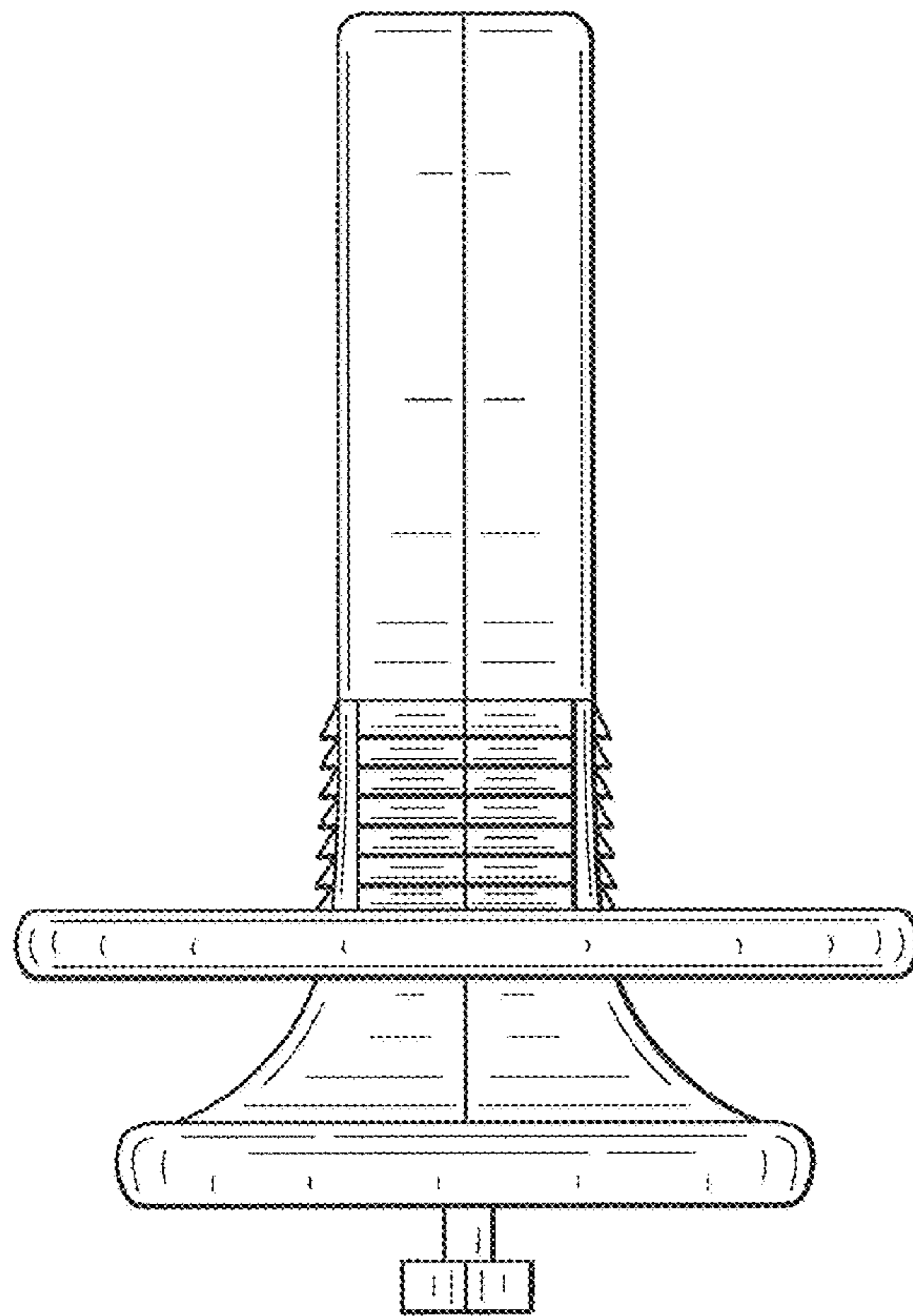


FIG. 5

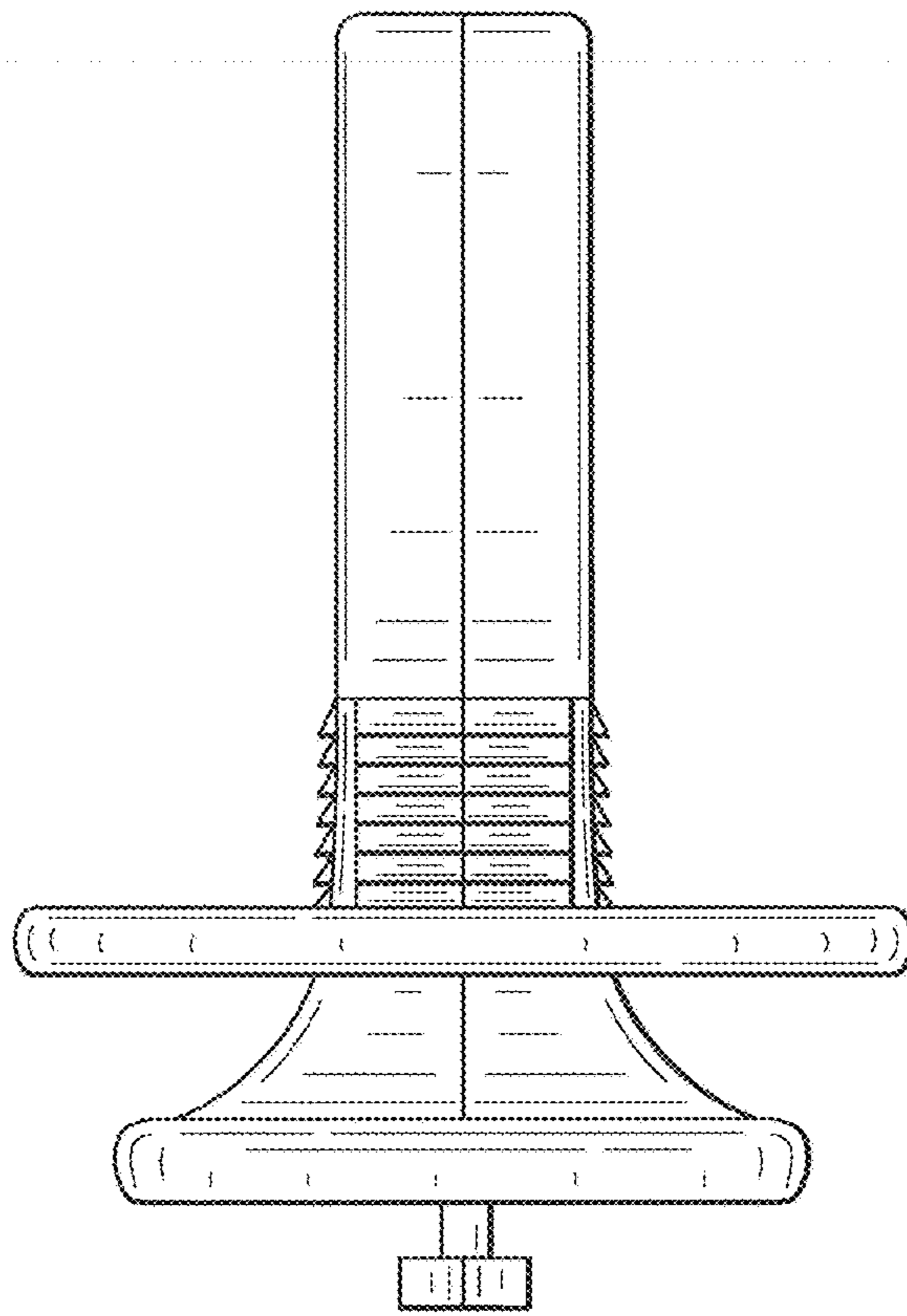


FIG. 6

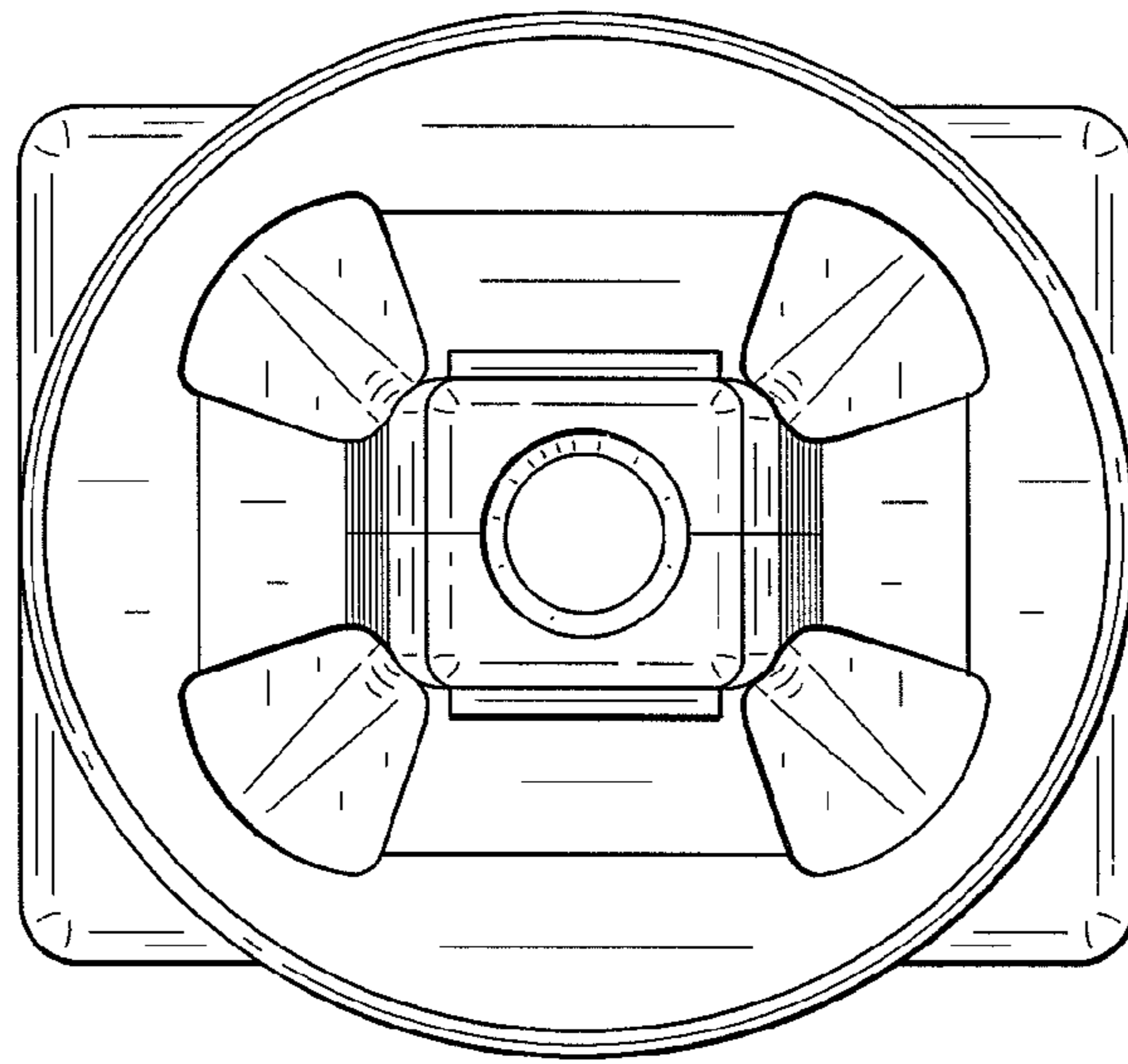


FIG. 7

