



US00D684843S

(12) **United States Design Patent**
Charette

(10) **Patent No.:** **US D684,843 S**
(45) **Date of Patent:** **** Jun. 25, 2013**

(54) **LATCH FOR RESIDENTIAL FENCE**

(76) Inventor: **Pierre Charette**, Notre-Dame-du-Mont
Carmel (CA)

(**) Term: **14 Years**

(21) Appl. No.: **29/412,593**

(22) Filed: **Feb. 6, 2012**

(51) **LOC (9) Cl.** **08-07**

(52) **U.S. Cl.**
USPC **D8/336; D8/339; D8/331**

(58) **Field of Classification Search**

USPC D8/330, 331, 336, 339, 343, 349,
D8/302, 354, 499; 70/14, 19, 51, 57, 57.1,
70/102, 107, 141, 142, 262, 266, 321, 320,
70/322, 431, 465, DIG. 80; 292/32, 63, 92,
292/137, 289, 290, 292, 358, 359, DIG. 29,
292/DIG. 68, 67, 202, 235, 153, 238

See application file for complete search history.

(56) **References Cited**

U.S. PATENT DOCUMENTS

D229,479	S	*	12/1973	Borsani	D8/342
4,014,192	A	*	3/1977	Dillon et al.	70/77
4,062,575	A	*	12/1977	Robins	292/67
4,083,591	A	*	4/1978	Parisien	292/202
4,938,508	A	*	7/1990	Thomas	292/235
D324,166	S	*	2/1992	Greco	D8/331
D394,796	S	*	6/1998	Alford et al.	D8/331
D396,794	S	*	8/1998	Francom	D8/336
6,058,747	A	*	5/2000	Doyle et al.	70/137
D452,641	S	*	1/2002	Portenier	D8/341
6,752,438	B2	*	6/2004	DeSouza	292/238
D655,997	S	*	3/2012	Merget	D8/339
D657,227	S	*	4/2012	Charette	D8/339

* cited by examiner

Primary Examiner — Prabhakar Deshmukh

(74) *Attorney, Agent, or Firm* — Welsh Flaxman & Gitler
LLC

(57) **CLAIM**

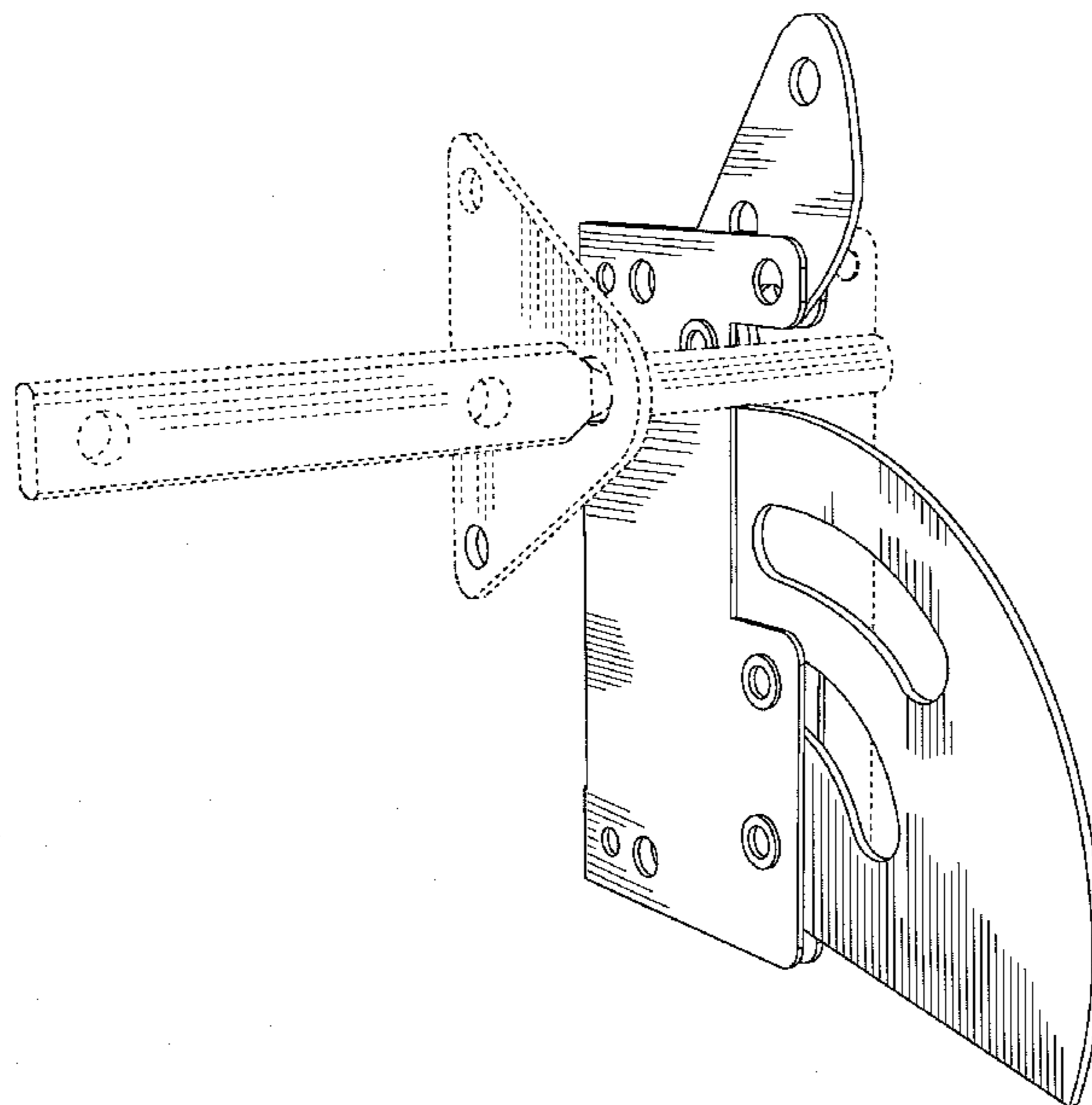
The ornamental design for a latch for residential fence, as shown and described.

DESCRIPTION

FIG. 1 is a view from the right side of the latch for residential fence in a closed position;
FIG. 2 is a view from the left side of the latch for residential fence in a closed position;
FIG. 3 is a view from the front of the latch for residential fence in a closed position;
FIG. 4 is a view from the back of the latch for residential fence in a closed position;
FIG. 5 is a view from above of the latch for residential fence in a closed position;
FIG. 6 is a view from under of the latch for residential fence in a closed position;
FIG. 7 is an angle view from the left of the latch for residential fence in a closed position;
FIG. 8 is an angle view from the right of the latch for residential fence in a closed position;
FIG. 9 is an angle from the left of the latch for residential fence in an opened position; and,
FIG. 10 is a perspective view of the latch for residential fence, shown in its environmental use.

The broken lines indicate disclaimed portions and environment and form no part of the claimed design.

1 Claim, 6 Drawing Sheets



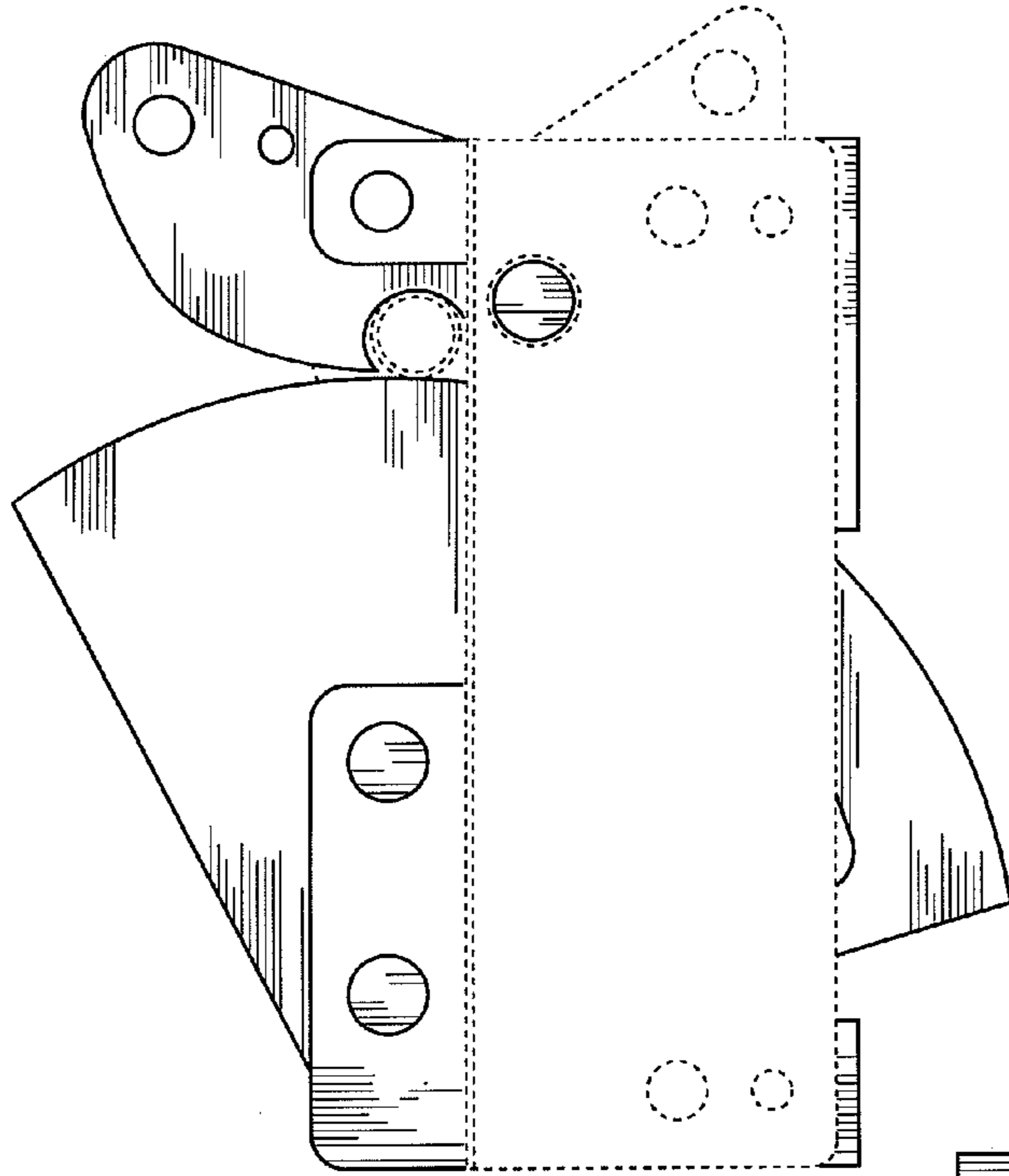


FIG.: 01

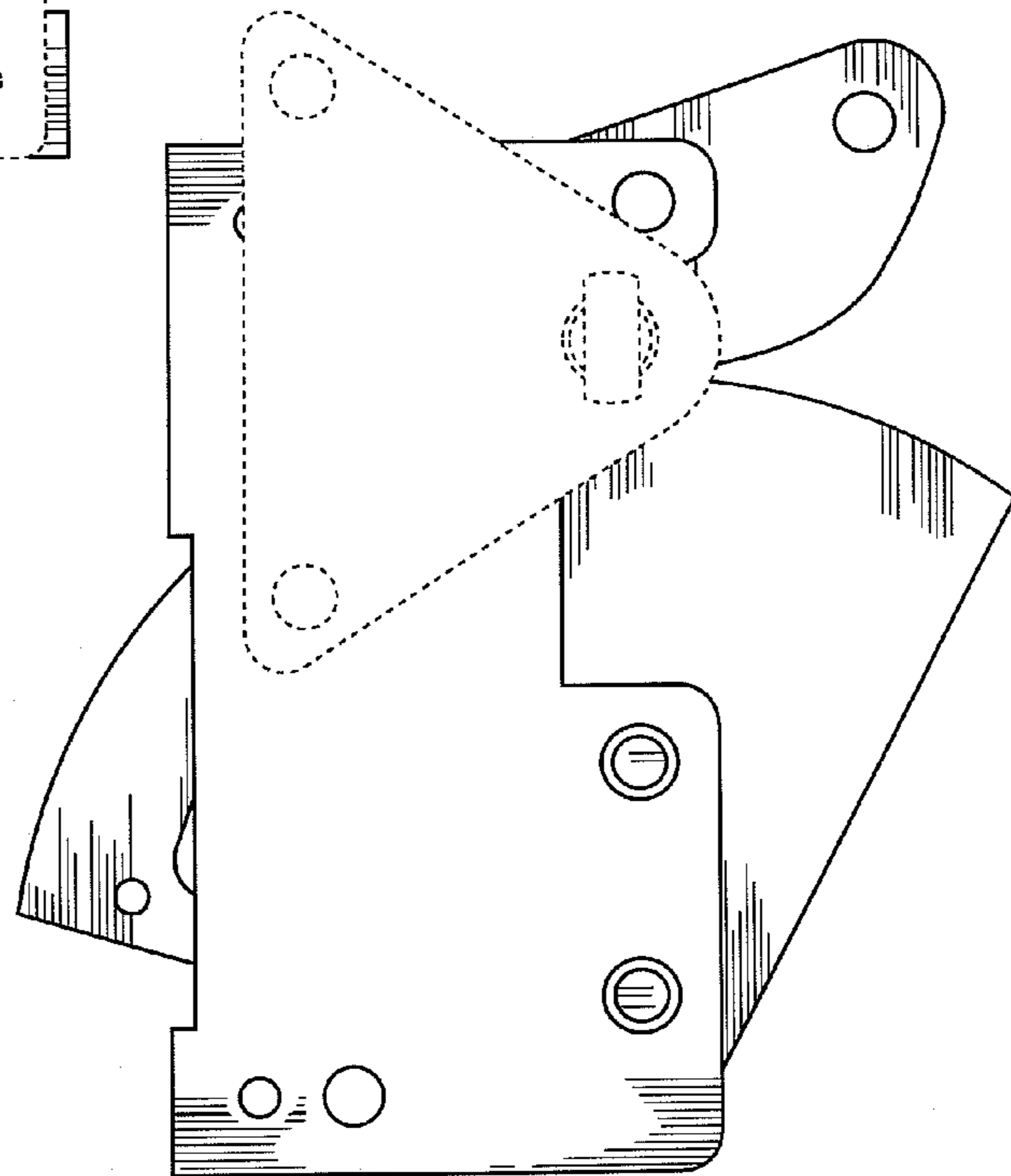
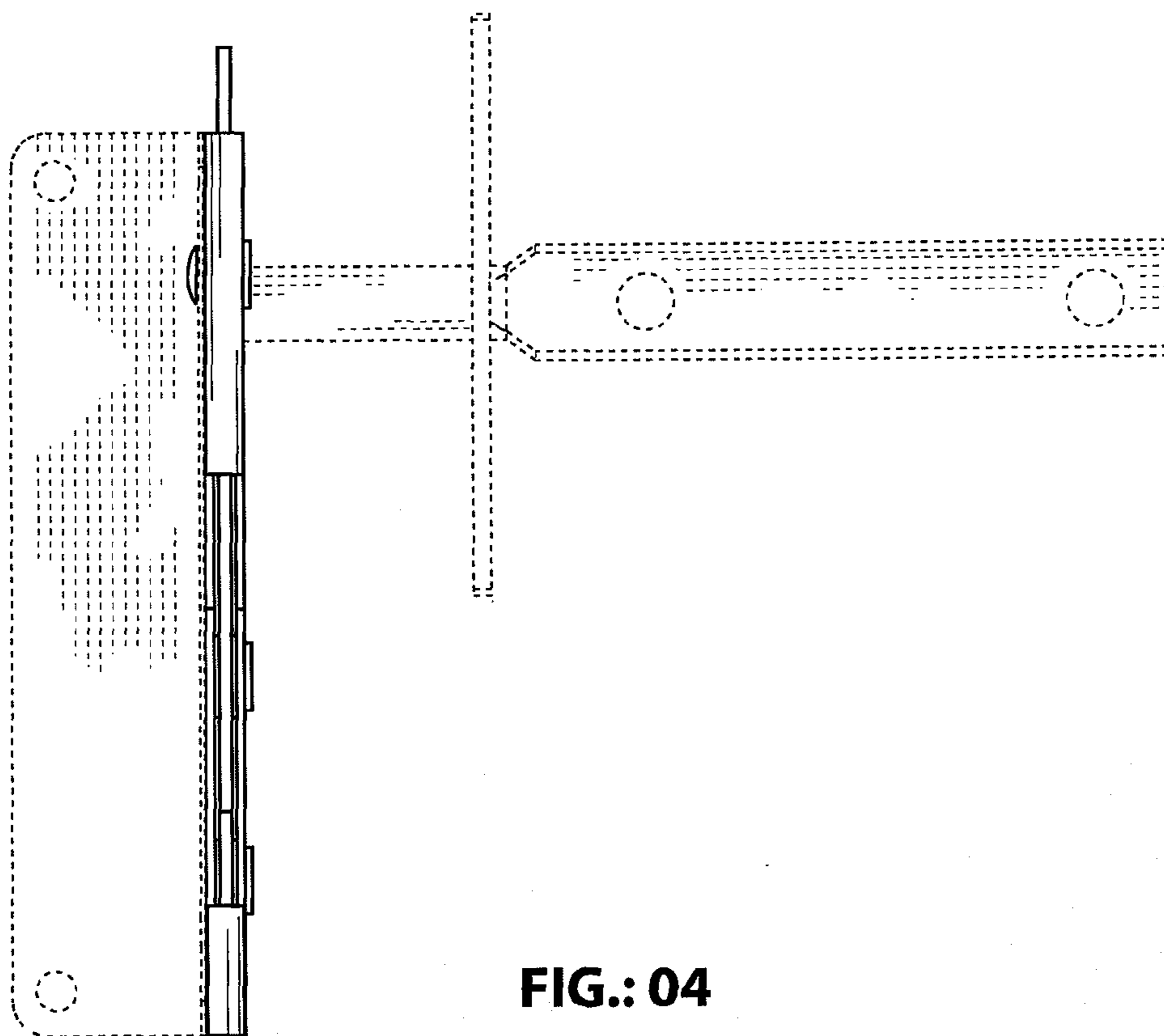
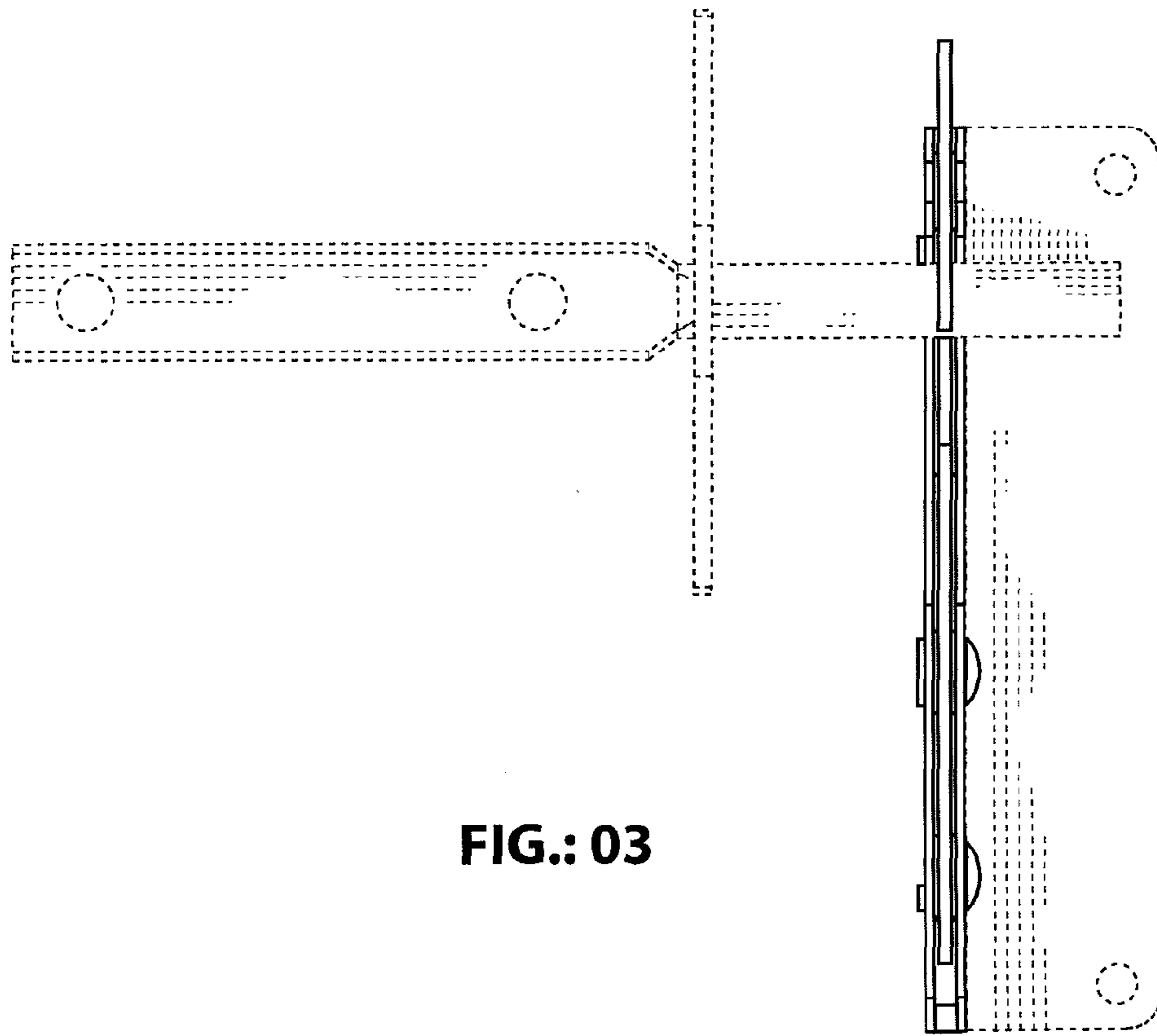


FIG.: 02



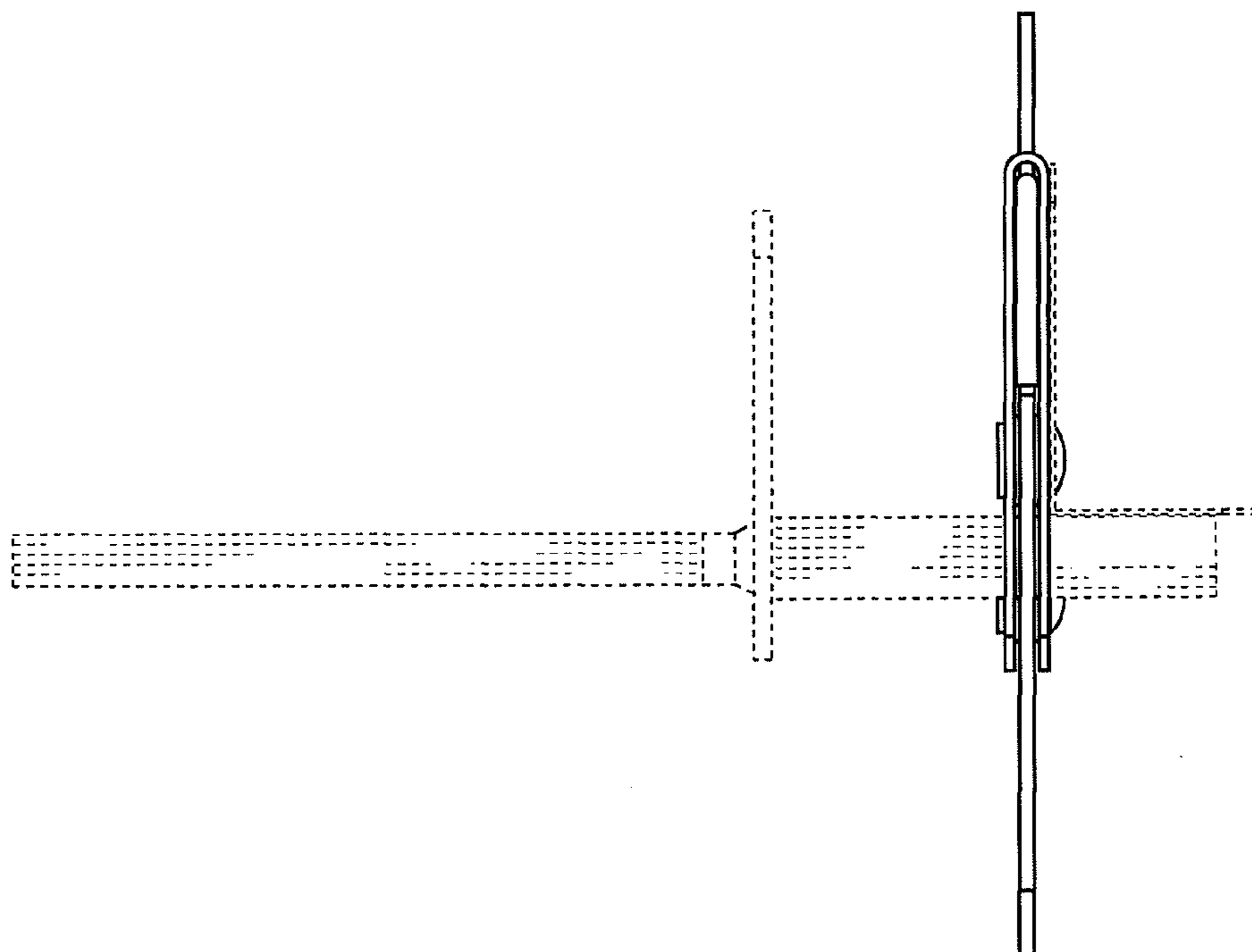


FIG.: 05

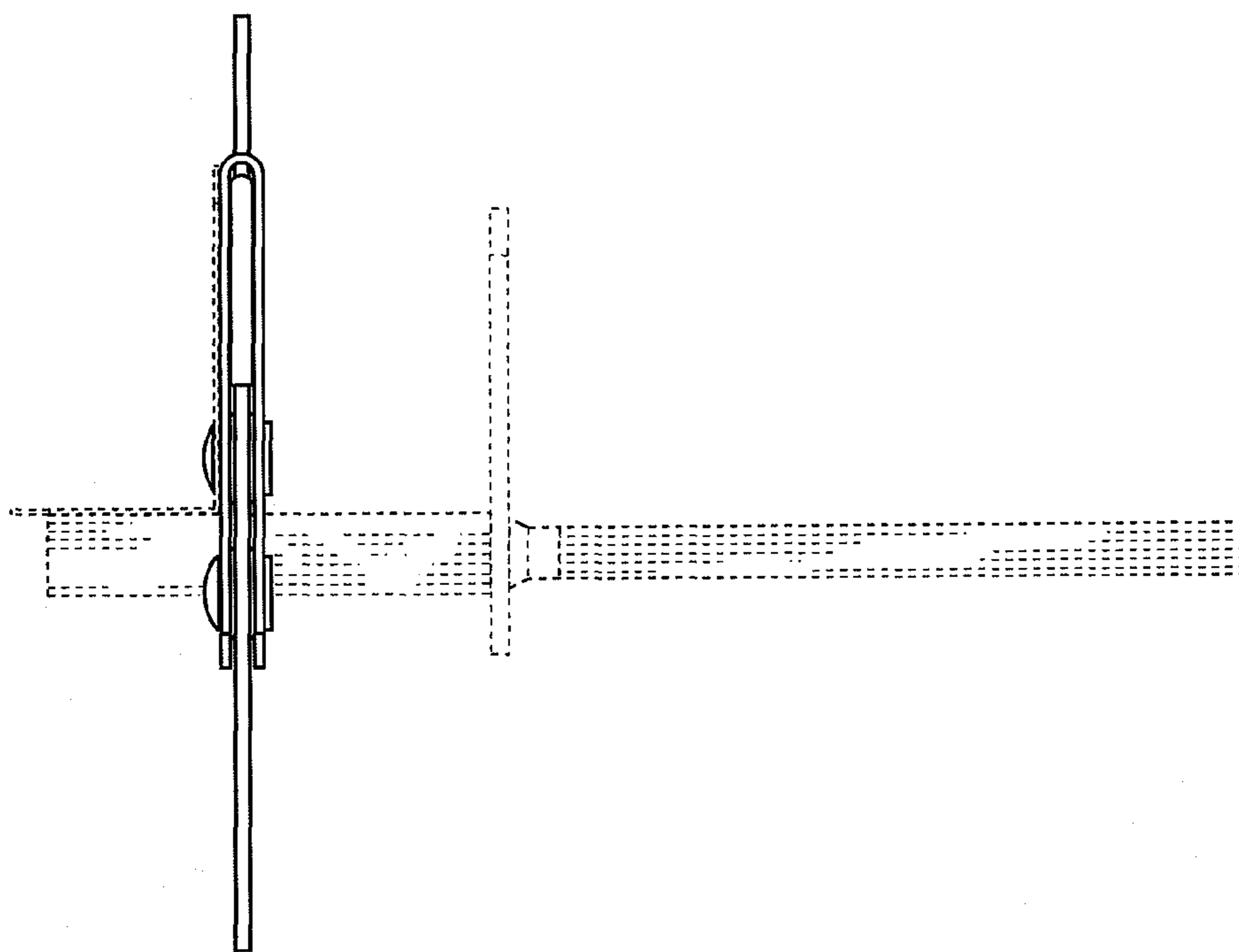


FIG.: 06

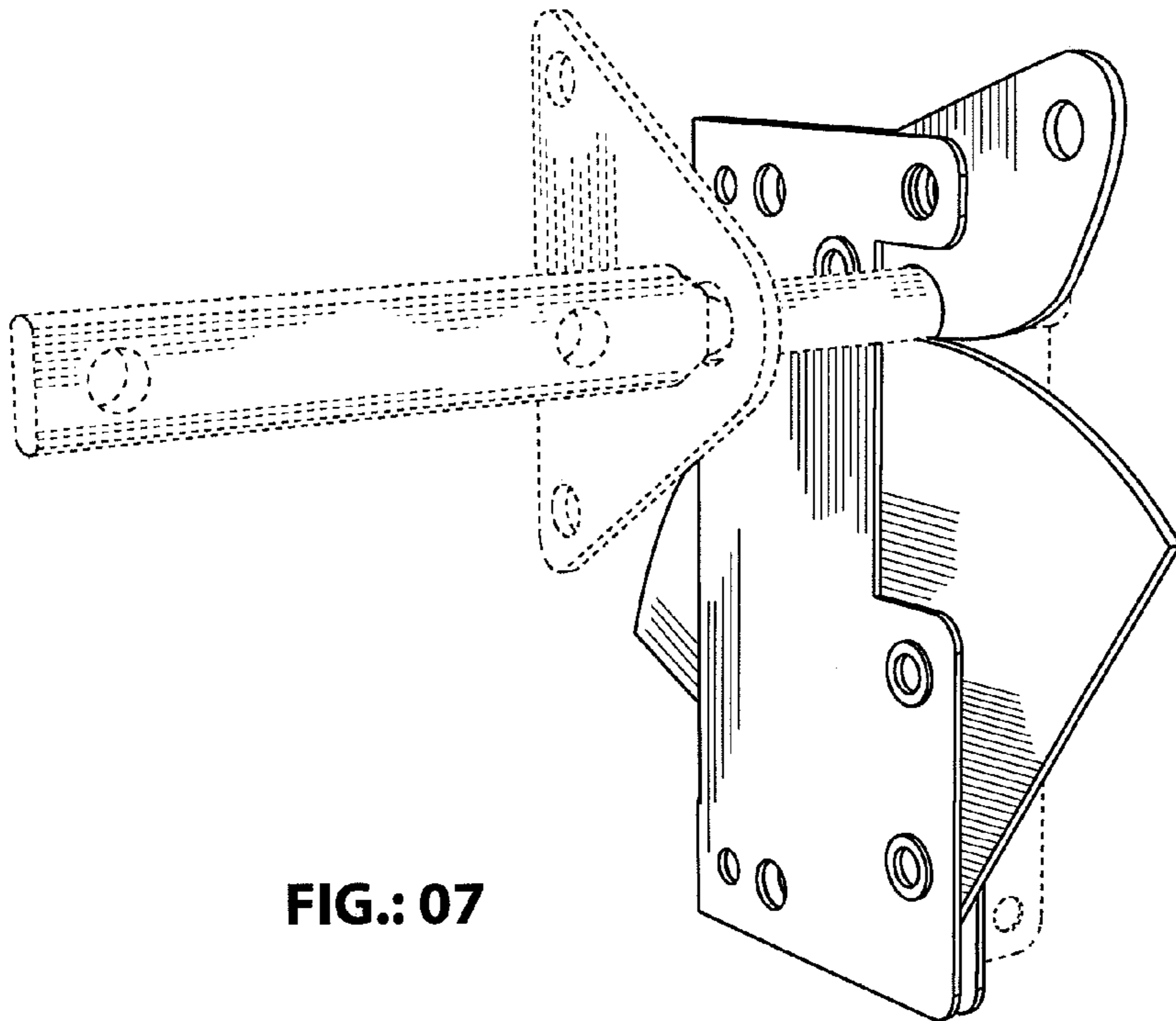


FIG.: 07

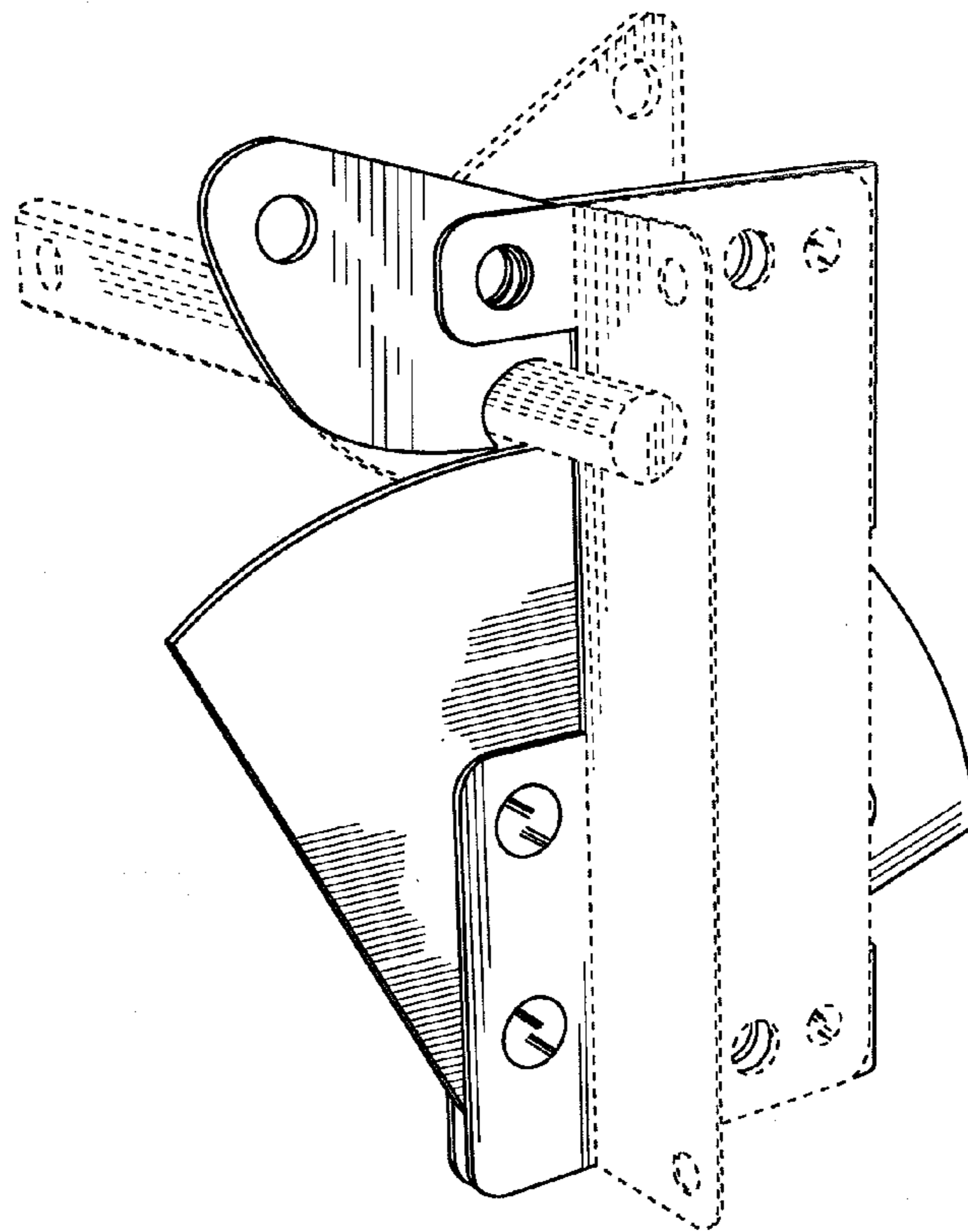


FIG.: 08

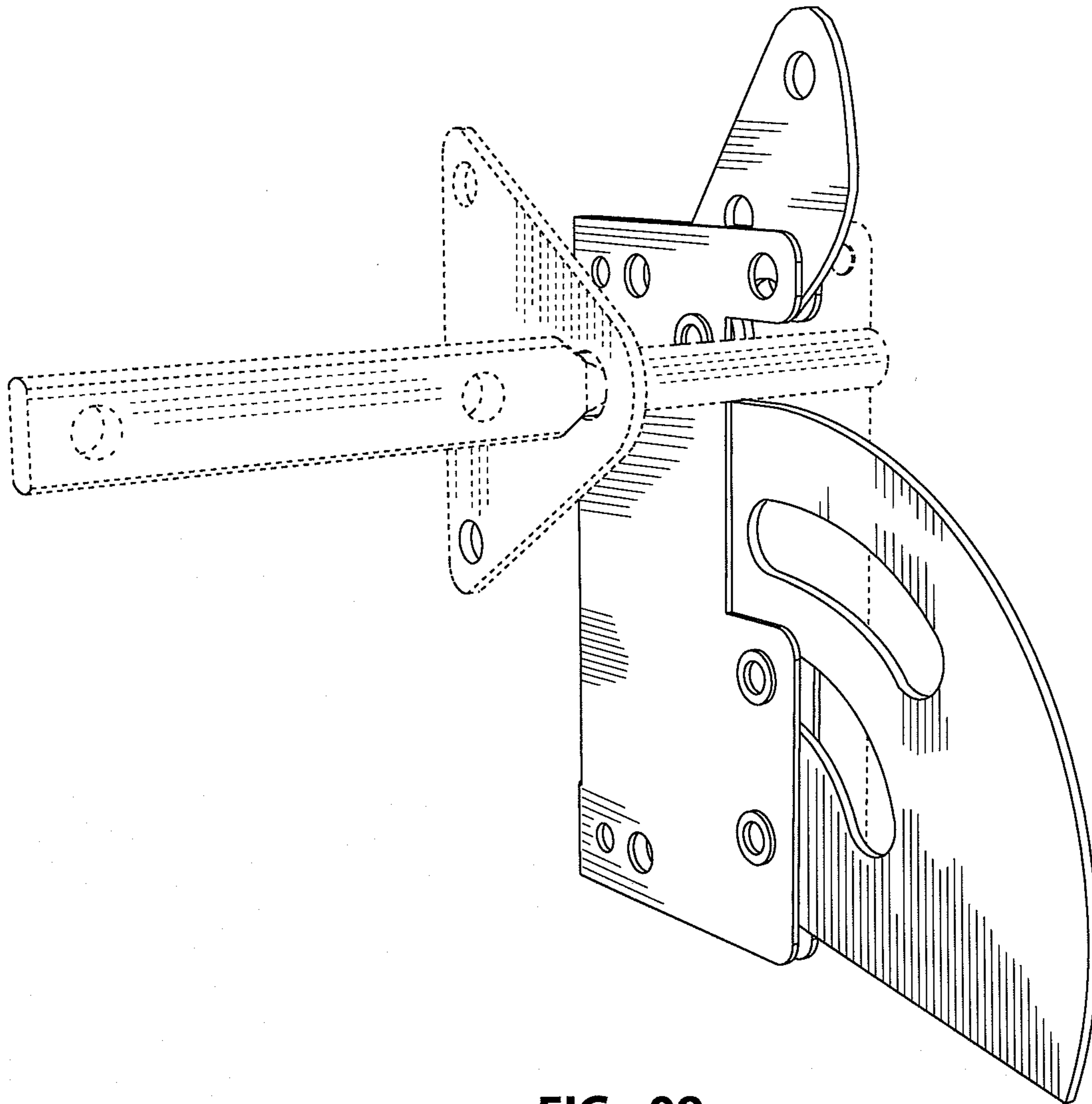


FIG.: 09

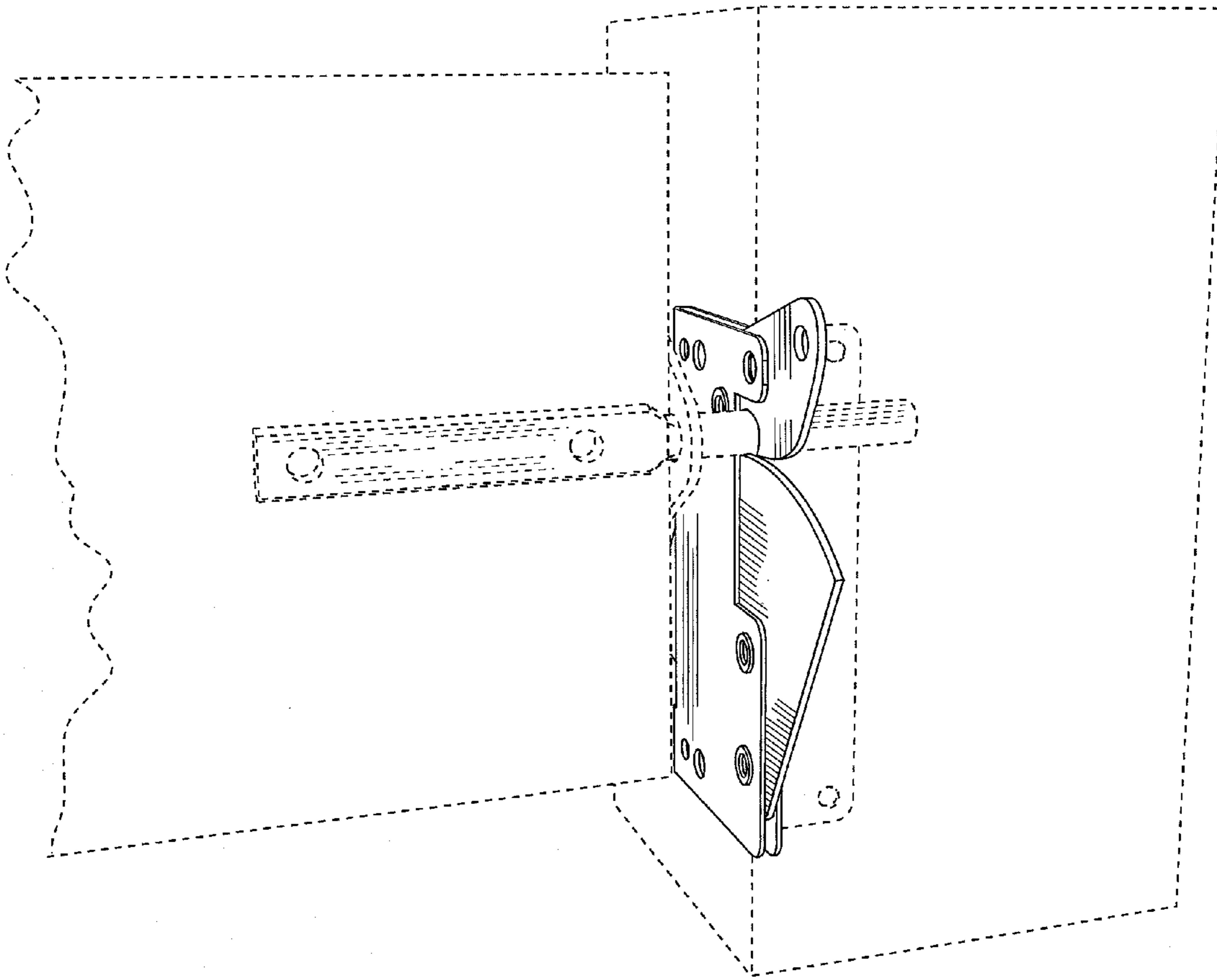


FIG.: 10