



US00D684841S

(12) **United States Design Patent**
Brown

(10) **Patent No.:** **US D684,841 S**
(45) **Date of Patent:** **** Jun. 25, 2013**

(54) **GATE LATCH UNIT**

(75) Inventor: **Neville Brown**, New South Wales (AU)

(73) Assignee: **Bekine Pty Limited**, Croydon, New South Wales (AU)

(**) Term: **14 Years**

(21) Appl. No.: **29/407,330**

(22) Filed: **Nov. 28, 2011**

(30) **Foreign Application Priority Data**

Jun. 1, 2011 (AU) 12510/2011

(51) **LOC (9) Cl.** **08-07**

(52) **U.S. Cl.**
USPC **D8/331**

(58) **Field of Classification Search**

USPC D8/330, 331, 336, 339, 343, 349,
D8/302, 354, 499; 70/14, 19, 51, 57, 57.1,
70/102, 107, 141, 142, 262, 266, 321, 320,
70/322, 431, 465, DIG. 80; 292/32, 63, 92,
292/137, 289, 290, 292, 358, 359, DIG. 29,
292/DIG. 68, 67, 202, 235, 153, 238; 16/86.1,
16/86.2

See application file for complete search history.

(56) **References Cited**

U.S. PATENT DOCUMENTS

4,062,575	A *	12/1977	Robins	292/67
D324,166	S *	2/1992	Greco	D8/331
D394,796	S *	6/1998	Alford et al.	D8/331
D419,425	S *	1/2000	Clark et al.	D8/343
6,131,969	A *	10/2000	Natkins	292/323
6,513,351	B2 *	2/2003	Clark	70/101
D479,975	S *	9/2003	Winocoor	D8/331
6,752,438	B2 *	6/2004	DeSouza	292/238
D569,707	S *	5/2008	Antkowiak et al.	D8/331
7,367,161	B1 *	5/2008	Jones	49/334
D614,014	S *	4/2010	Bo	D8/331
D657,227	S *	4/2012	Charette	D8/339
D664,421	S *	7/2012	Bishir et al.	D8/331

* cited by examiner

Primary Examiner — Prabhakar Deshmukh

(74) *Attorney, Agent, or Firm* — Dority & Manning, P.A.

(57) **CLAIM**

The ornamental design for a gate latch unit, as shown and described.

DESCRIPTION

FIG. 1 is a perspective view of a gate latch unit showing my new design.

FIG. 2 is a front view of the design of FIG. 1.

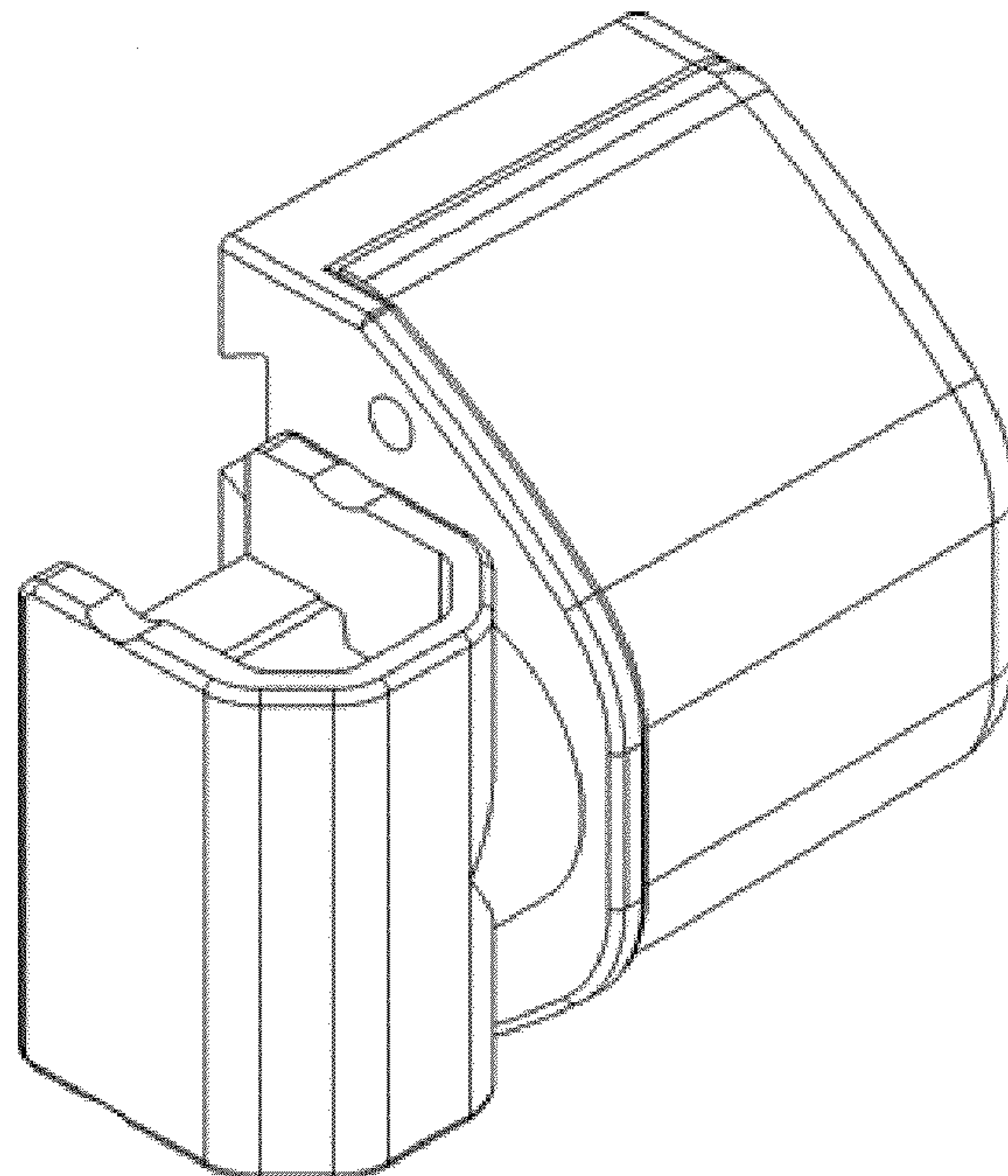
FIG. 3 is a left side view of the design of FIG. 1.

FIG. 4 is a right side view of the design of FIG. 1; and,

FIG. 5 is a bottom view of the design of FIG. 1.

The broken lines indicate disclaimed portions and form no part of the claimed design.

1 Claim, 5 Drawing Sheets



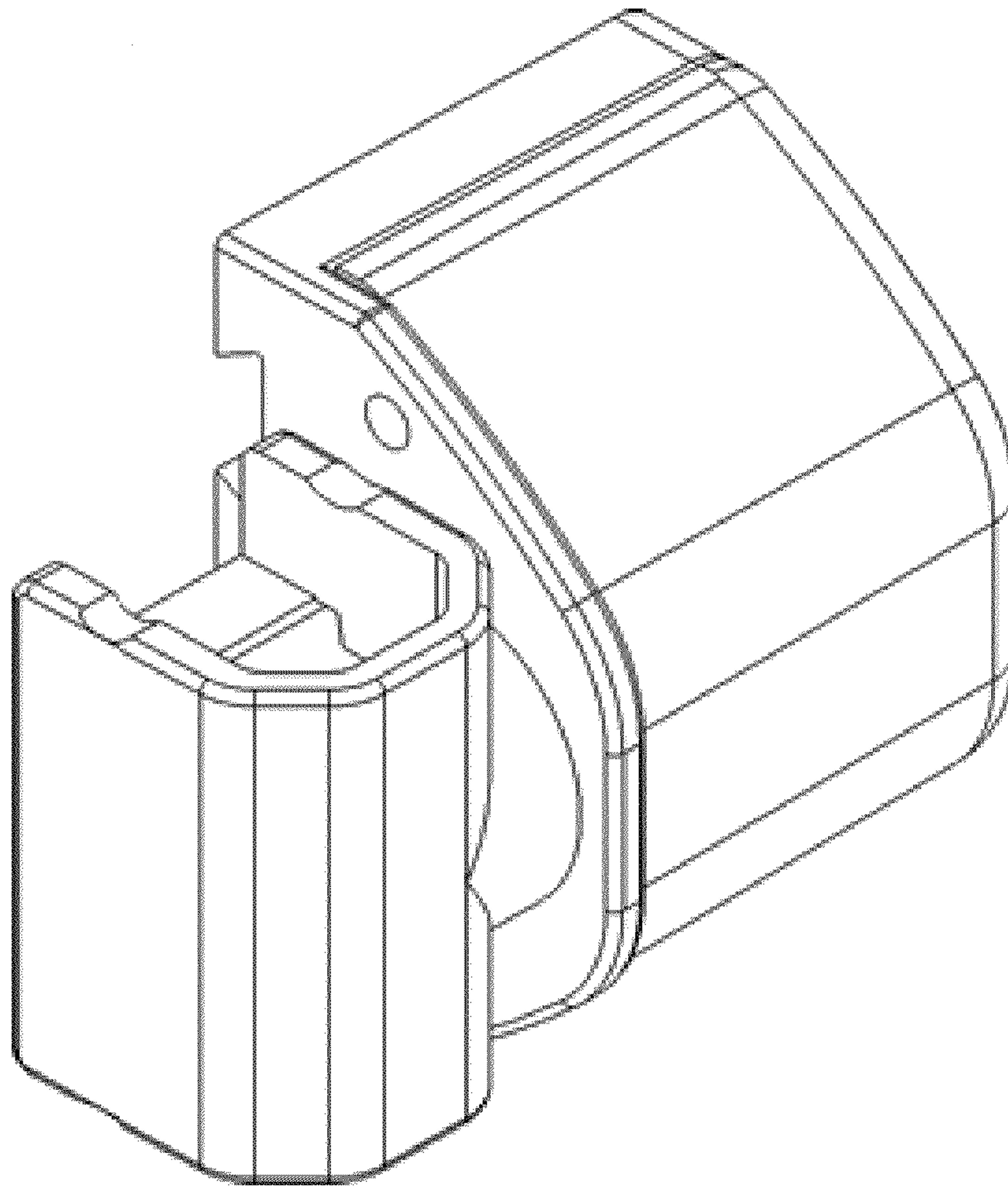


FIG. 1

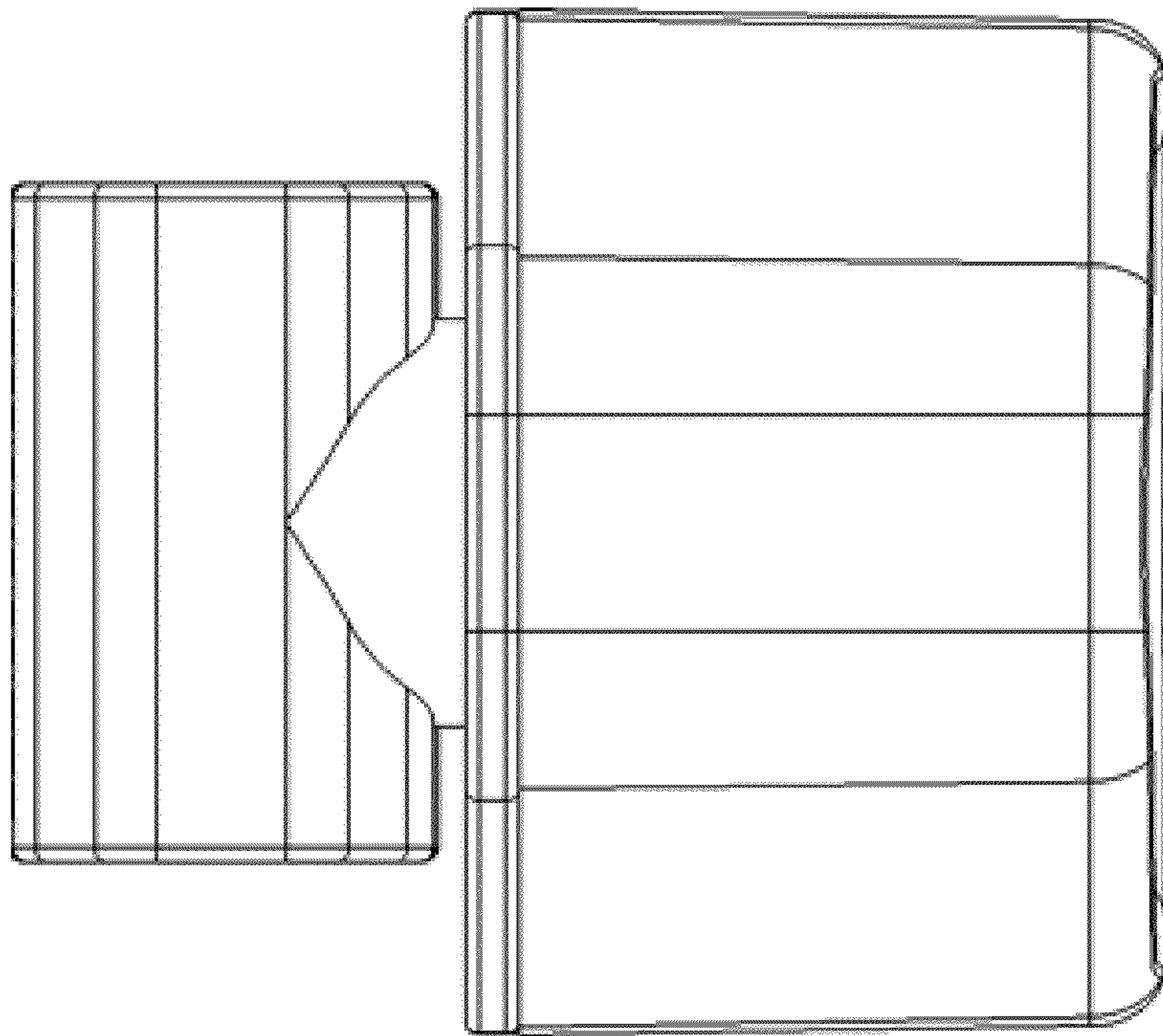


FIG. 2

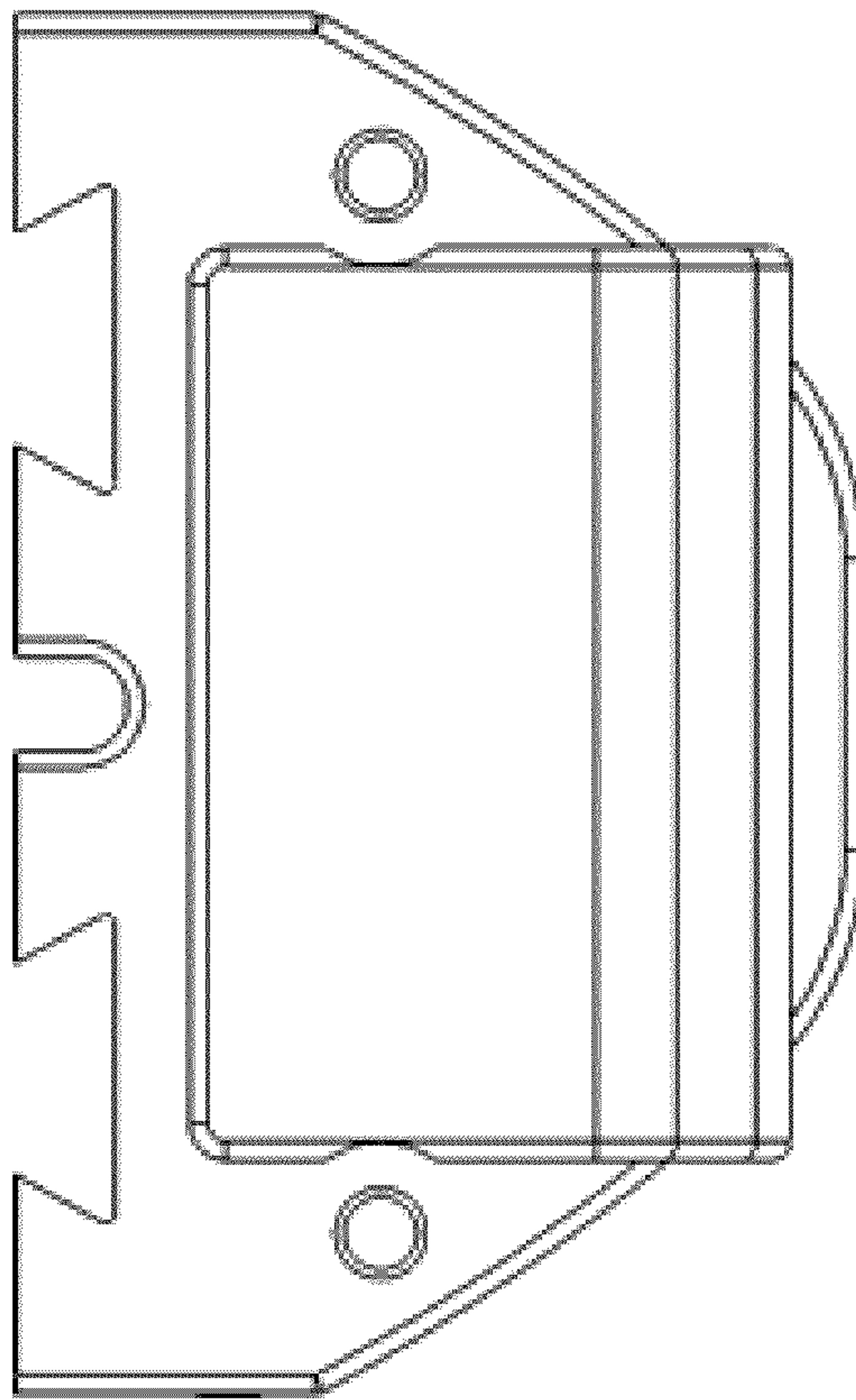


FIG. 3

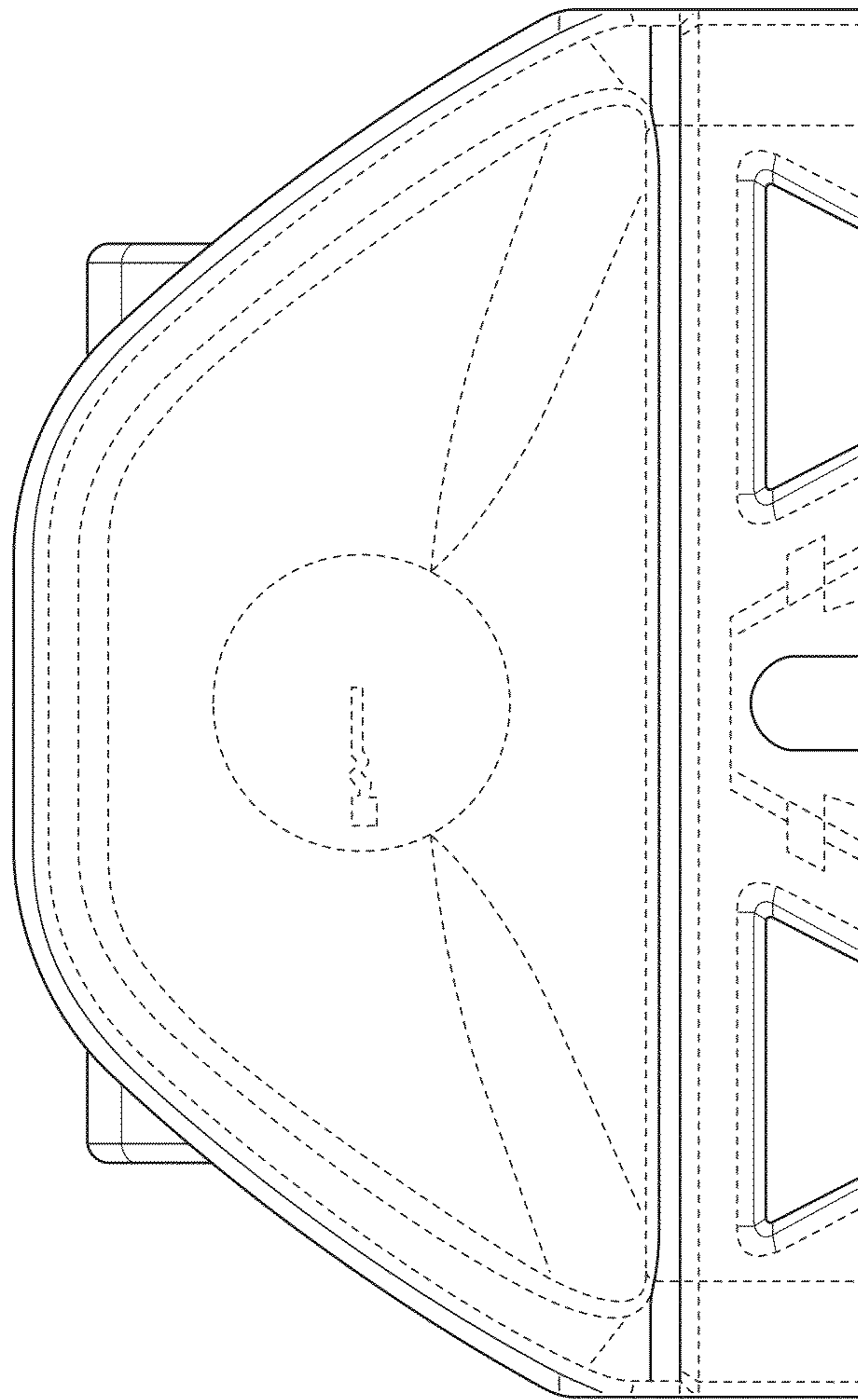


FIG. 4

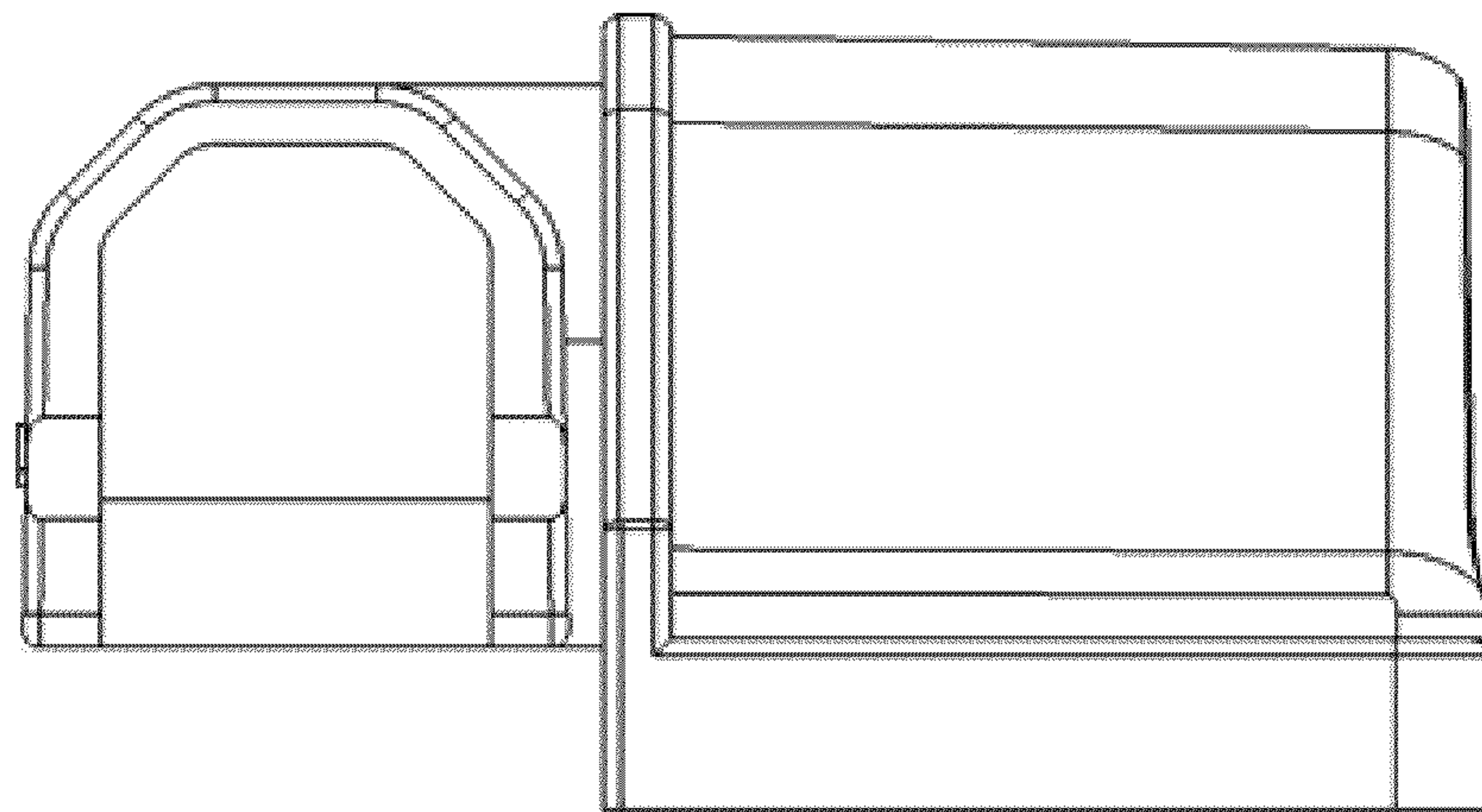


FIG. 5