



US00D684839S

(12) **United States Design Patent**
Oshima

(10) **Patent No.:** **US D684,839 S**
(45) **Date of Patent:** **** Jun. 25, 2013**

(54) **HINGE**

(75) Inventor: **Kazuyoshi Oshima**, Tokyo (JP)

(73) Assignee: **Sugatsune Kogyo Co., Ltd.**, Tokyo (JP)

(**) Term: **14 Years**

(21) Appl. No.: **29/414,343**

(22) Filed: **Feb. 28, 2012**

(30) **Foreign Application Priority Data**

Aug. 30, 2011 (JP) 2011-019519

(51) **LOC (9) Cl.** **08-06**

(52) **U.S. Cl.**
USPC **D8/323**

(58) **Field of Classification Search**
USPC D8/328, 324, 330, 325, 327, 331,
D8/336, 353, 338, 329, 355, 356; D16/334;
4/236, 240; 16/309, 235, 275, 244, 379, 390,
16/430, 241, 238, 225, 250; 49/381; D23/302,
D23/303; 248/682; D10/69; 33/347, 365-390
See application file for complete search history.

(56) **References Cited**

U.S. PATENT DOCUMENTS

D259,240 S *	5/1981	Myron	D8/356
D260,852 S *	9/1981	Loeschen	D8/381
D309,247 S *	7/1990	Grass	D8/323
D309,704 S *	8/1990	Grass	D8/323
D336,841 S *	6/1993	Wilson et al.	D8/323

5,964,010 A *	10/1999	Huber	16/237
D451,000 S *	11/2001	Karl	D8/323
7,530,591 B2 *	5/2009	Mater et al.	280/507
D611,801 S *	3/2010	Chustak	D8/355
D633,773 S *	3/2011	Yamanaka	D8/323
D642,701 S *	8/2011	Howard	D25/15
D643,131 S *	8/2011	Howard	D25/15
2007/0284852 A1 *	12/2007	Mater et al.	280/507

* cited by examiner

Primary Examiner — Cynthia Underwood

(74) *Attorney, Agent, or Firm* — Bacon & Thomas, PLLC

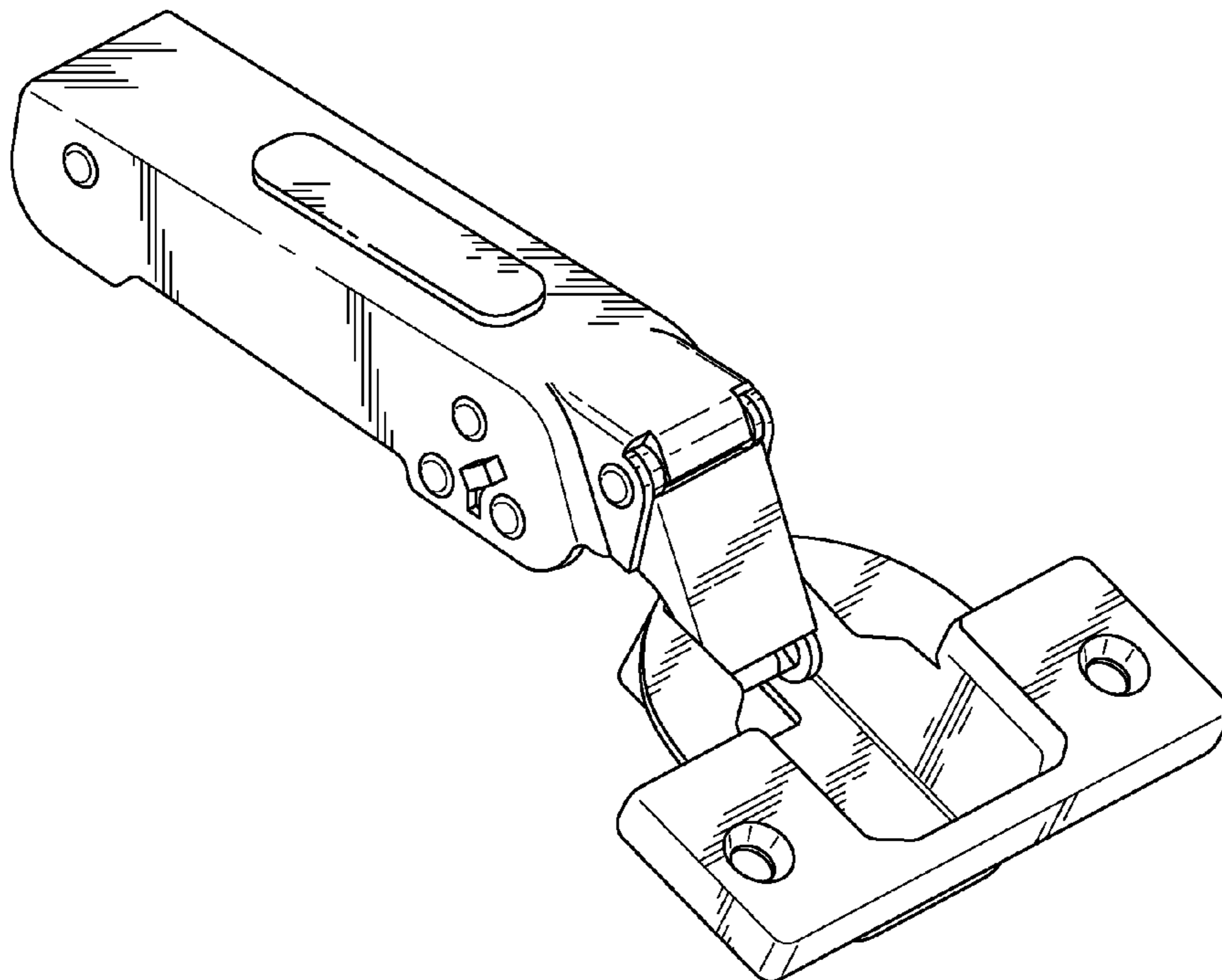
(57) **CLAIM**

The ornamental design for a hinge, as shown and described.

DESCRIPTION

FIG. 1 is a front elevational view of a hinge showing my new design;
 FIG. 2 is a rear elevationat view thereof,
 FIG. 3 is a top plan view thereof,
 FIG. 4 is a bottom plan view thereof,
 FIG. 5 is a right side elevational view thereof,
 FIG. 6 is a left side elevational view thereof,
 FIG. 7 is a top perspective view thereof,
 FIG. 8 is a sectional view thereof, taken along line 8-8 of FIG. 1,
 FIG. 9 is a perspective view thereof, shown in its environment of use; and,
 FIG. 10 is a bottom plan thereof, in a closed position.
 The broken lines are for illustrative purposes only and form no part of the claim.

1 Claim, 4 Drawing Sheets



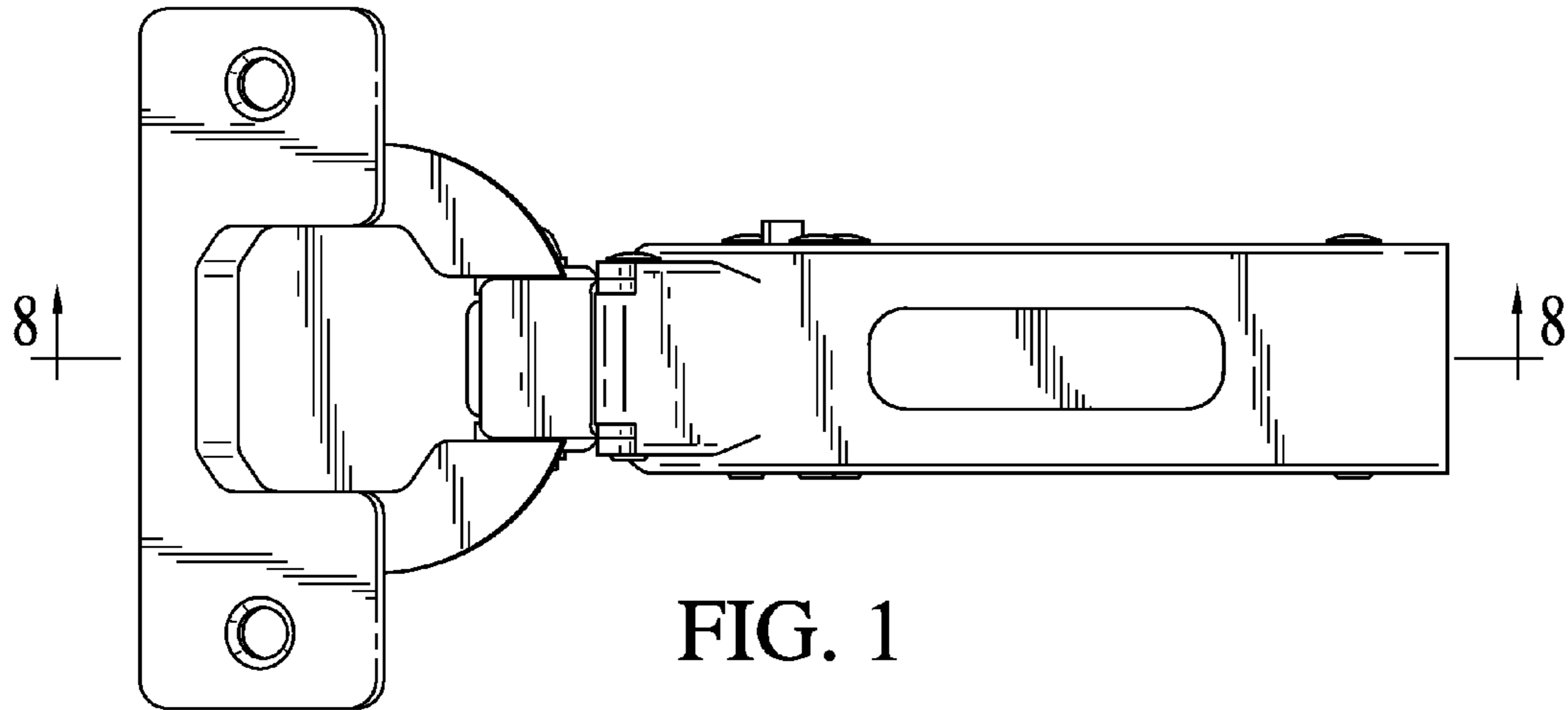


FIG. 1

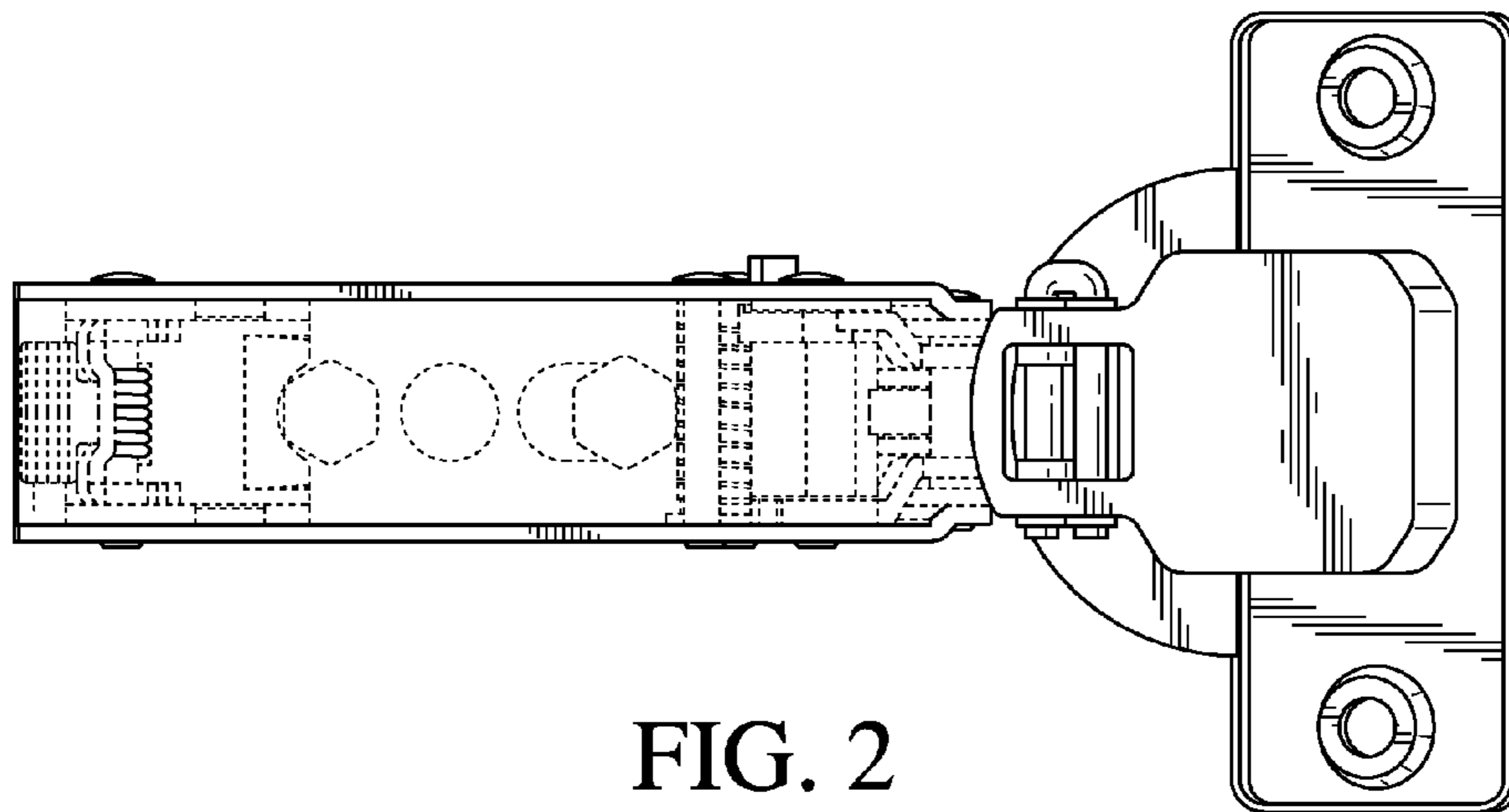


FIG. 2

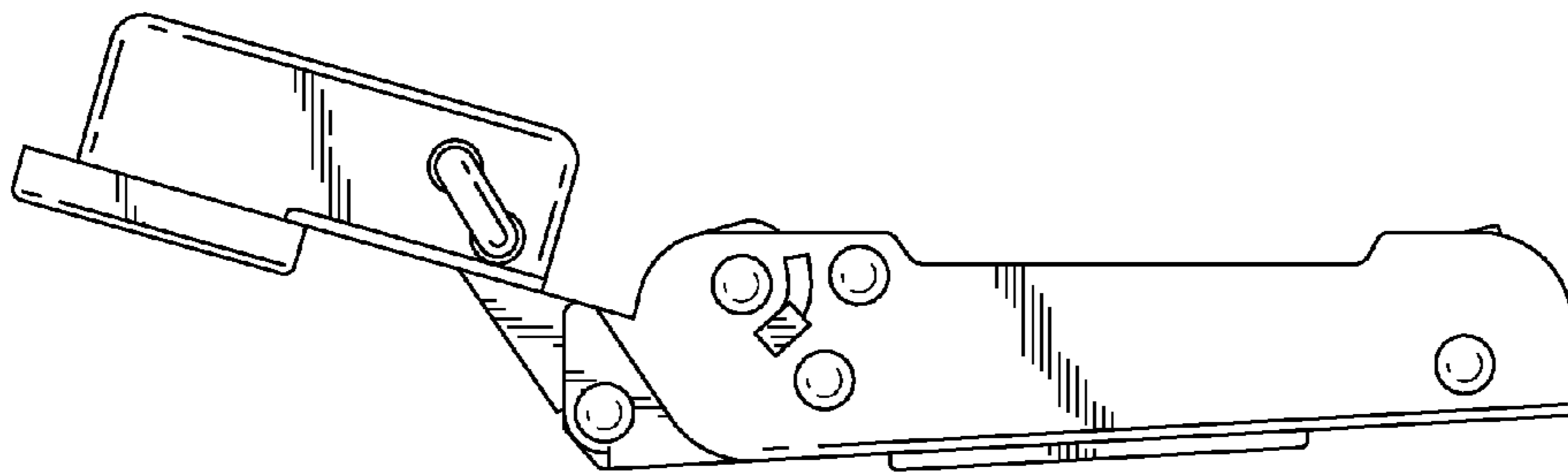


FIG. 3

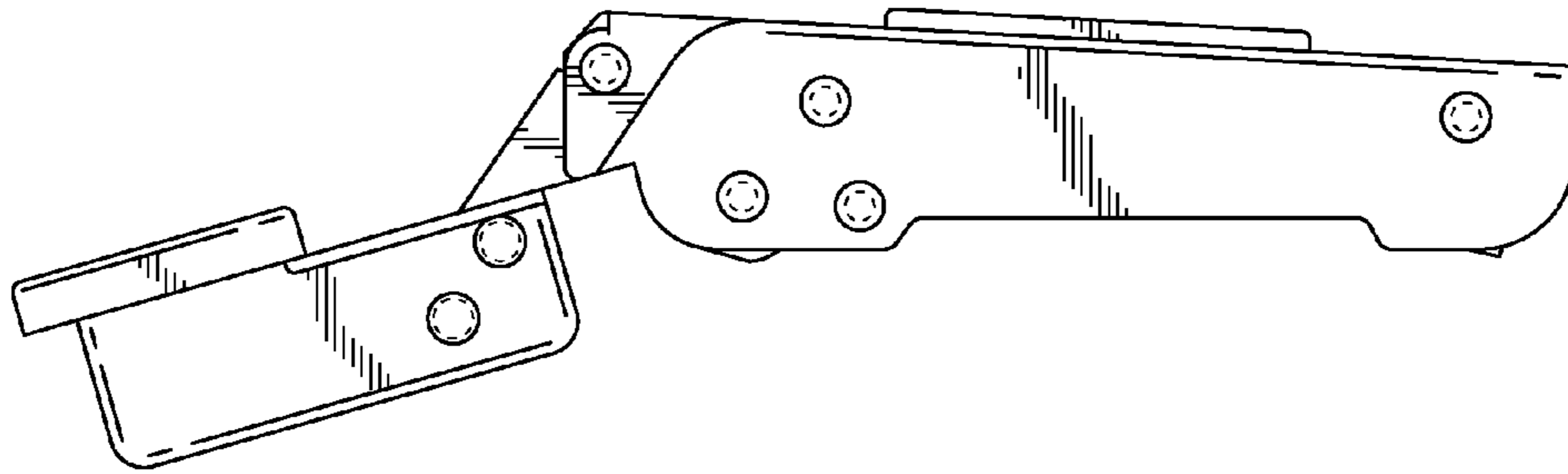


FIG. 4

FIG. 5

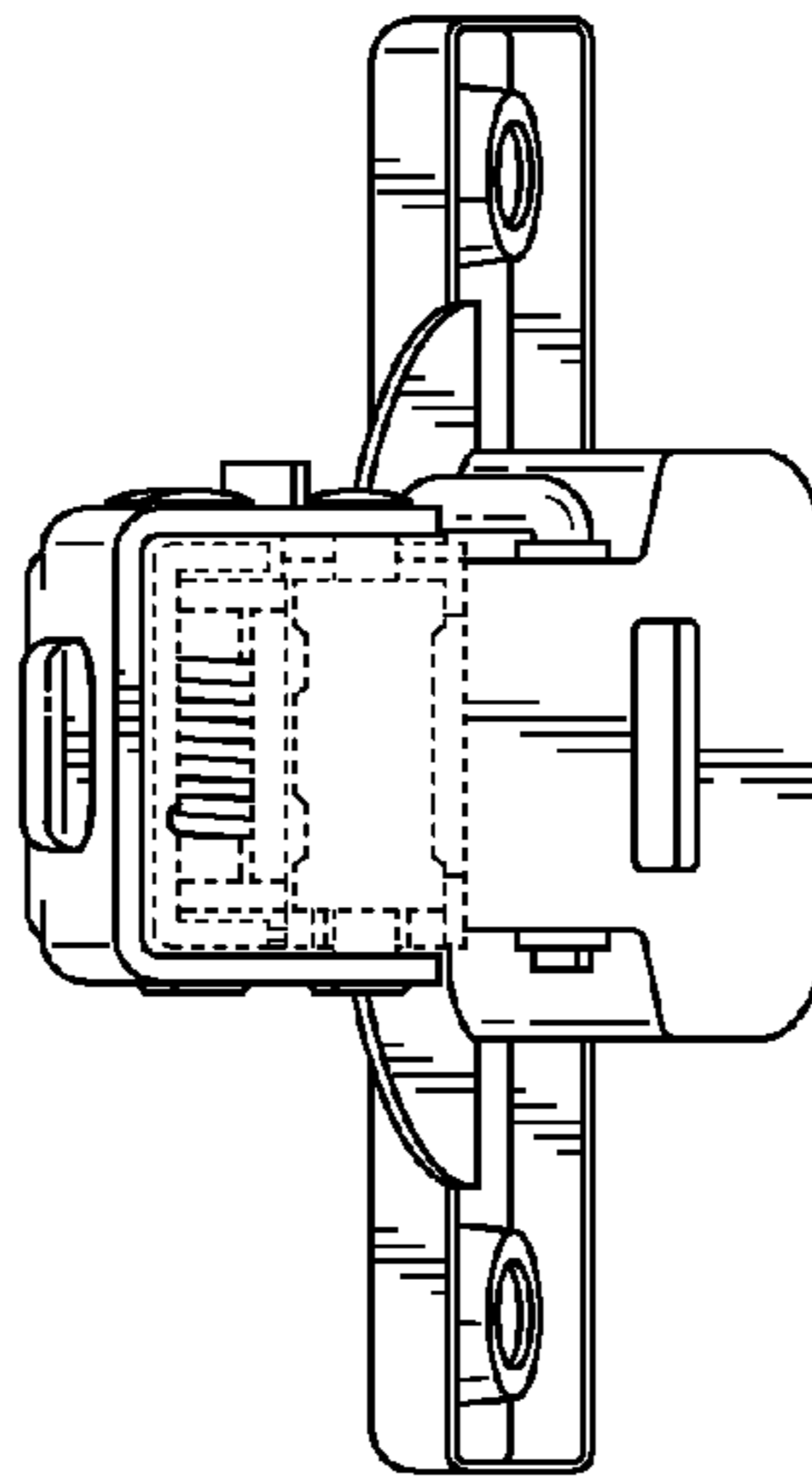
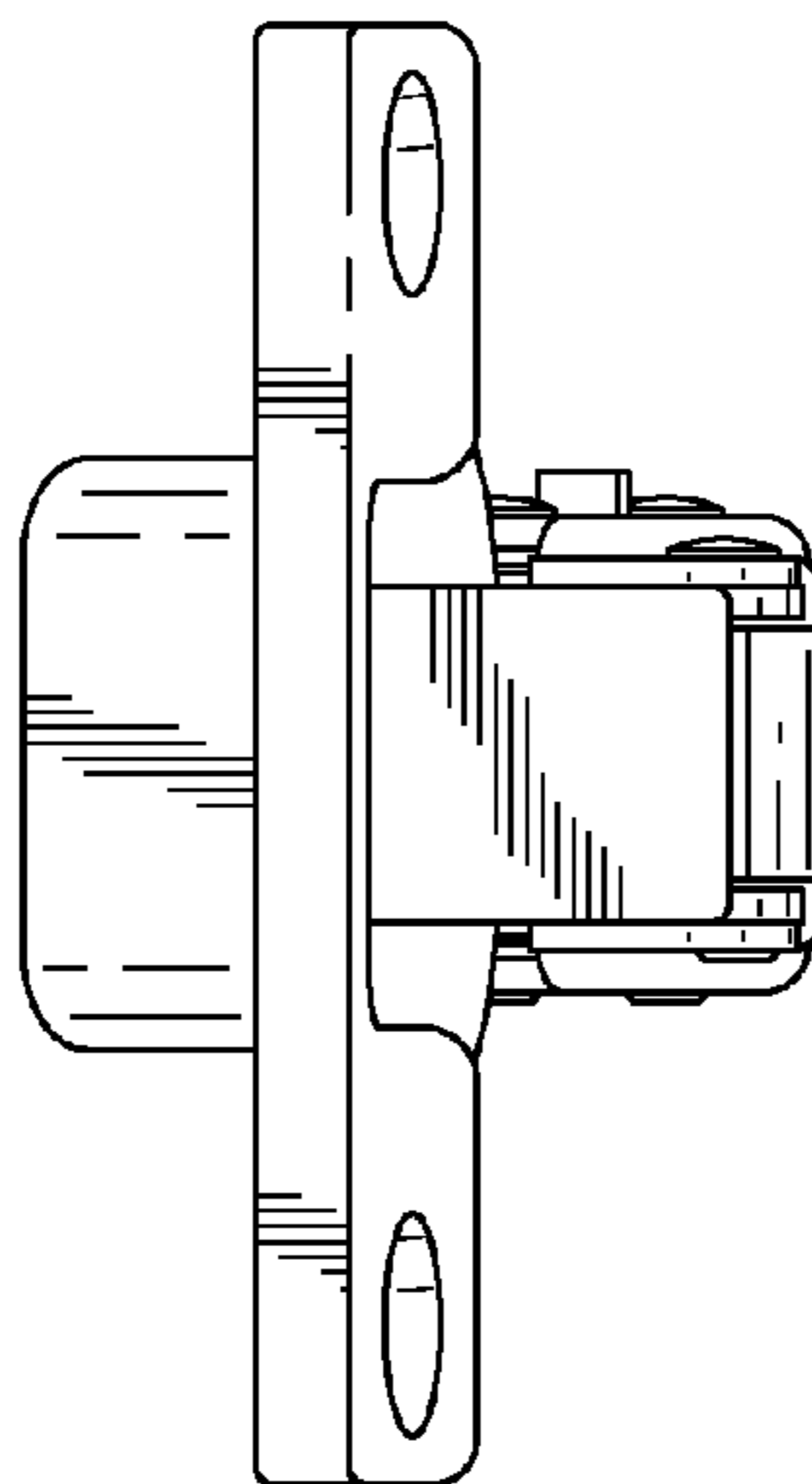


FIG. 6



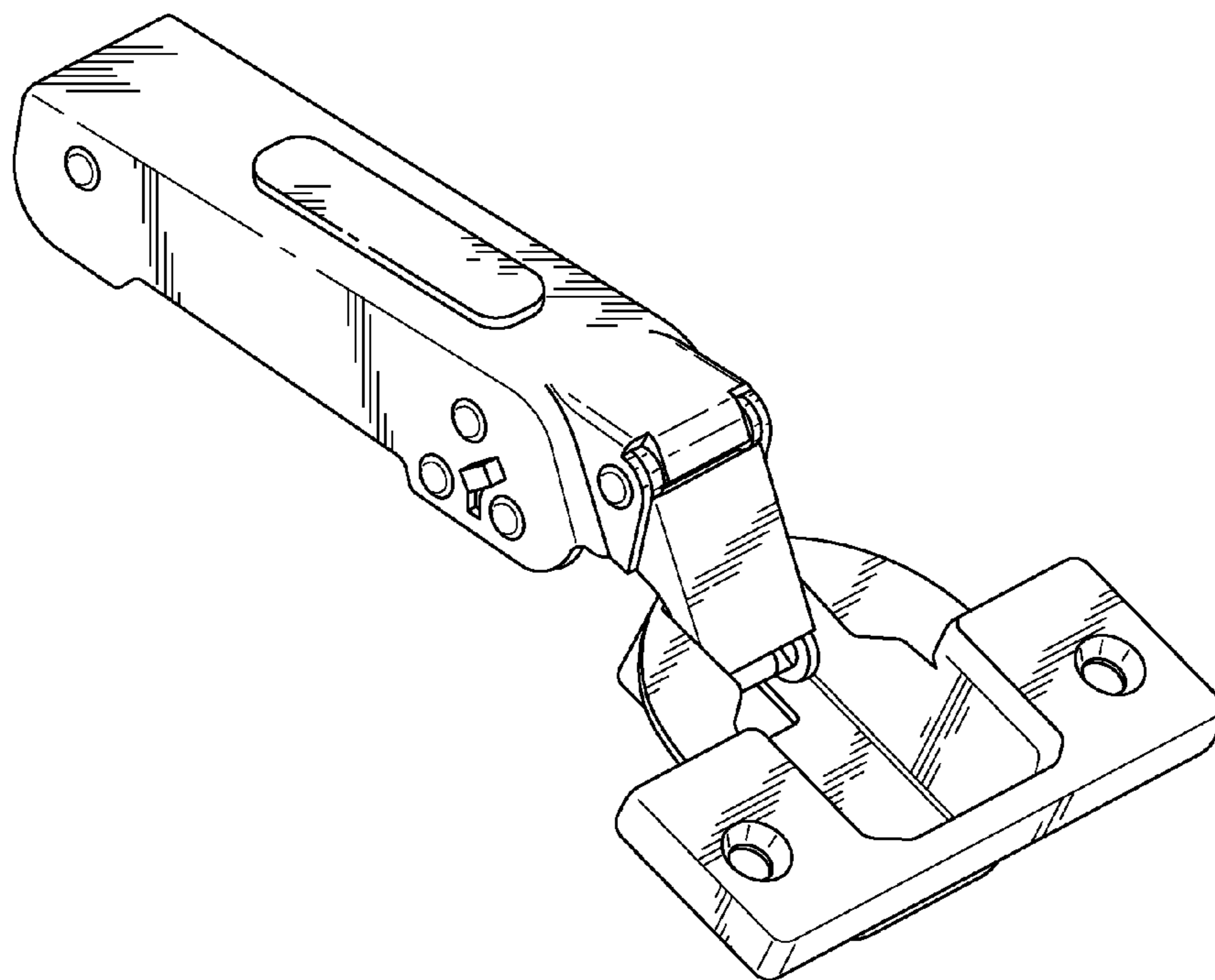


FIG. 7

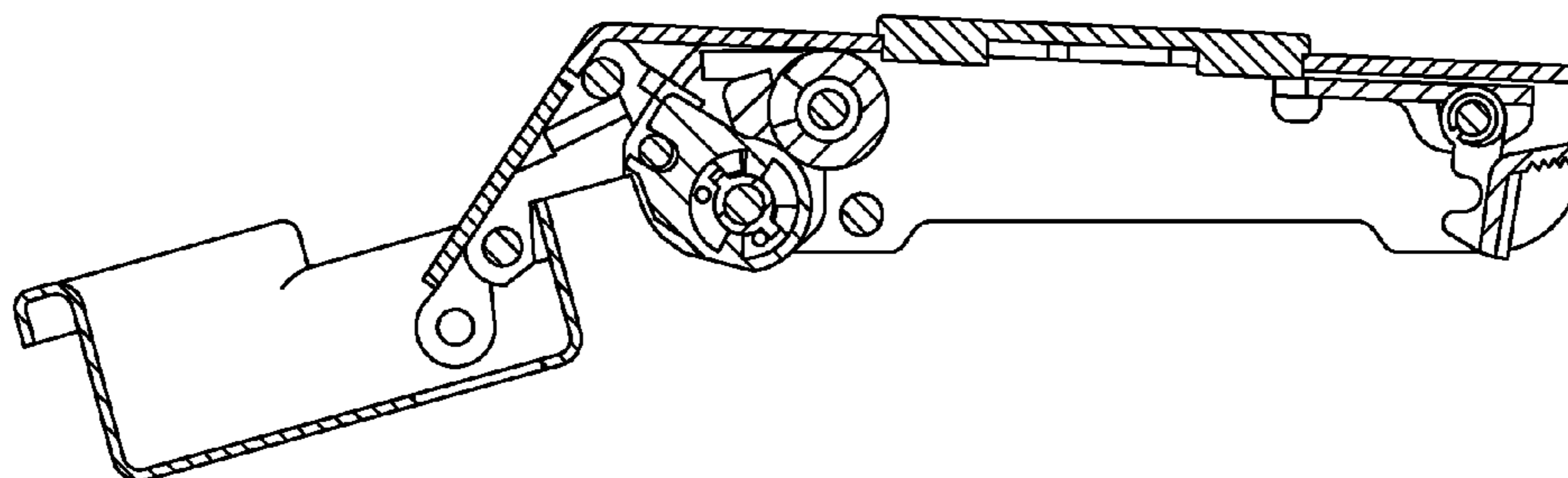


FIG. 8

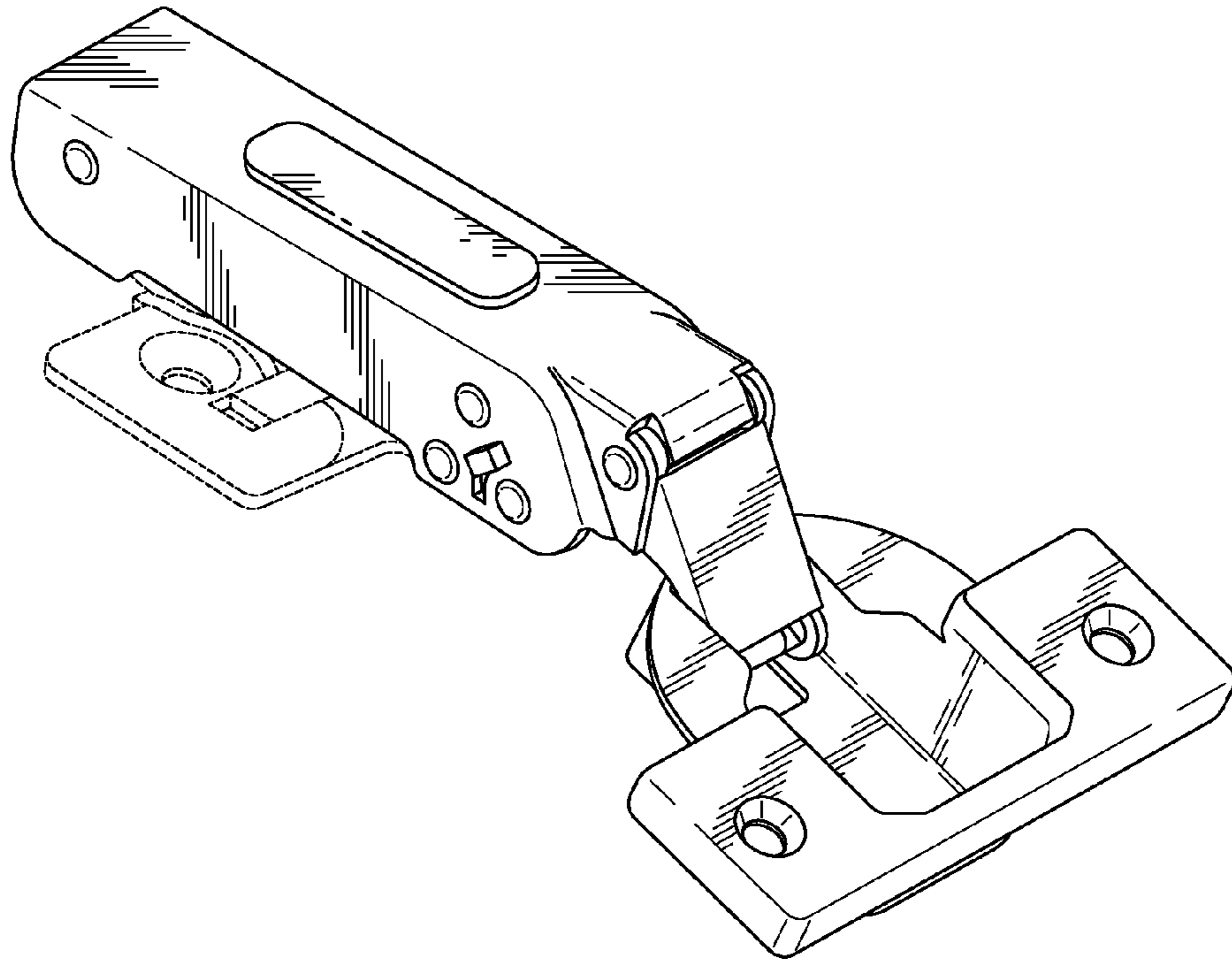


FIG. 9

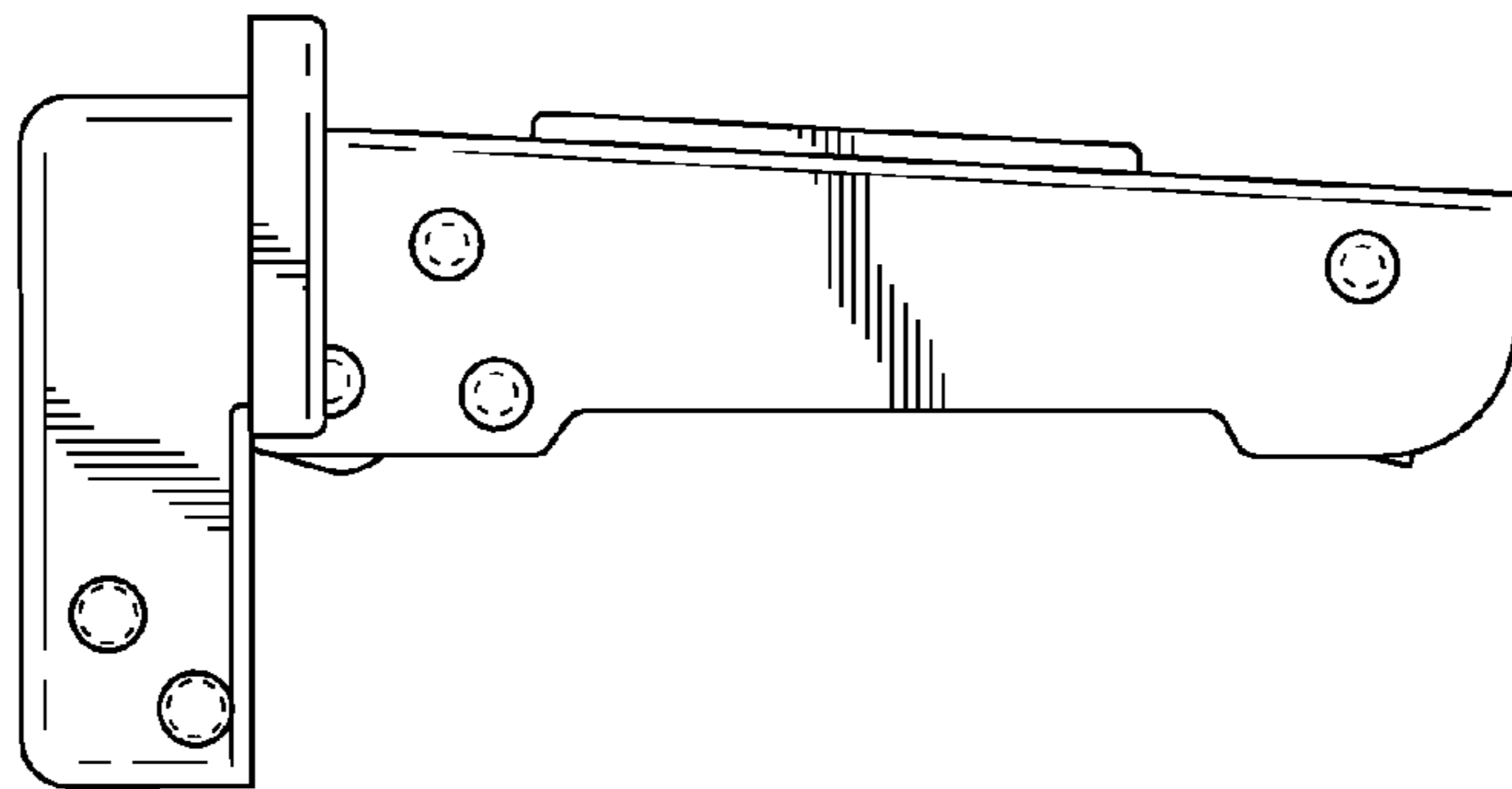


FIG. 10