



US00D684838S

(12) **United States Design Patent**
Wirtz

(10) **Patent No.:** **US D684,838 S**
(45) **Date of Patent:** **** Jun. 25, 2013**

(54) **HANDLE ADAPTED TO BE ENGAGED WITH A LATCH**

(76) Inventor: **Jerry Wirtz**, Ponca City, OK (US)

(**) Term: **14 Years**

(21) Appl. No.: **29/426,810**

(22) Filed: **Jul. 11, 2012**

(51) **LOC (9) Cl.** **08-06**

(52) **U.S. Cl.**
USPC **D8/308; D8/302**

(58) **Field of Classification Search**
USPC D8/300, 301, 302, 306, 307, 308,
D8/338; 16/110.1; 292/217, 341.17, DIG. 31;
70/208

See application file for complete search history.

(56) **References Cited**

U.S. PATENT DOCUMENTS

1,778,889	A	10/1930	Disbro	
2,086,034	A *	7/1937	Jacobi	70/144
2,281,371	A	4/1942	Mugler	
2,511,253	A *	6/1950	Fischer	292/129
2,579,621	A *	12/1951	Smith	292/133
2,601,164	A	6/1952	Montgomery	
2,653,468	A	9/1953	Rowles	
2,791,459	A *	5/1957	Roethel	292/280
2,829,914	A *	4/1958	Peras	292/217
2,867,857	A	1/1959	McCarthy	
2,937,044	A *	5/1960	Petitpas	292/99
3,093,098	A	6/1963	Rosenfeld	
3,114,153	A	12/1963	Pierson	
3,118,148	A	1/1964	Taylor et al.	
3,173,387	A	3/1965	Cree, Jr.	
3,208,410	A	9/1965	Hayes et al.	
3,214,947	A *	11/1965	Wikkerink	70/92
3,343,314	A	9/1967	Smith	
3,361,462	A *	1/1968	Foster	292/165
3,373,533	A	3/1968	Trelfa et al.	

3,568,388	A	3/1971	Flachbarth et al.	
3,667,792	A *	6/1972	Torii	292/216
3,706,168	A	12/1972	Pilish	
3,713,257	A	1/1973	Beavers	
3,767,243	A *	10/1973	Yoshimura	292/216
3,874,203	A *	4/1975	Bookout	70/137
3,934,382	A	1/1976	Gartung	
3,964,280	A *	6/1976	Kelton	70/84
4,073,520	A *	2/1978	Tsuchiya et al.	292/216
4,126,972	A	11/1978	Silen	
4,277,964	A *	7/1981	Crabb et al.	70/484
4,429,495	A	2/1984	Aoki	
4,592,175	A	6/1986	Werner	
4,628,413	A *	12/1986	Speraw	361/798
4,671,548	A *	6/1987	Haberle et al.	292/216
4,914,878	A	4/1990	Tamaki et al.	
4,953,734	A	9/1990	Stohr	
5,054,826	A *	10/1991	Dow et al.	292/125
5,065,558	A	11/1991	Boatsman	
5,309,325	A *	5/1994	Dreher et al.	361/754
5,358,292	A *	10/1994	Van Wiebe et al.	292/235
5,445,326	A *	8/1995	Ferro et al.	292/336
5,584,151	A	12/1996	Abou-Rached	
5,638,651	A	6/1997	Ford	

(Continued)

Primary Examiner — Paula Greene

(74) *Attorney, Agent, or Firm* — Edward L. White

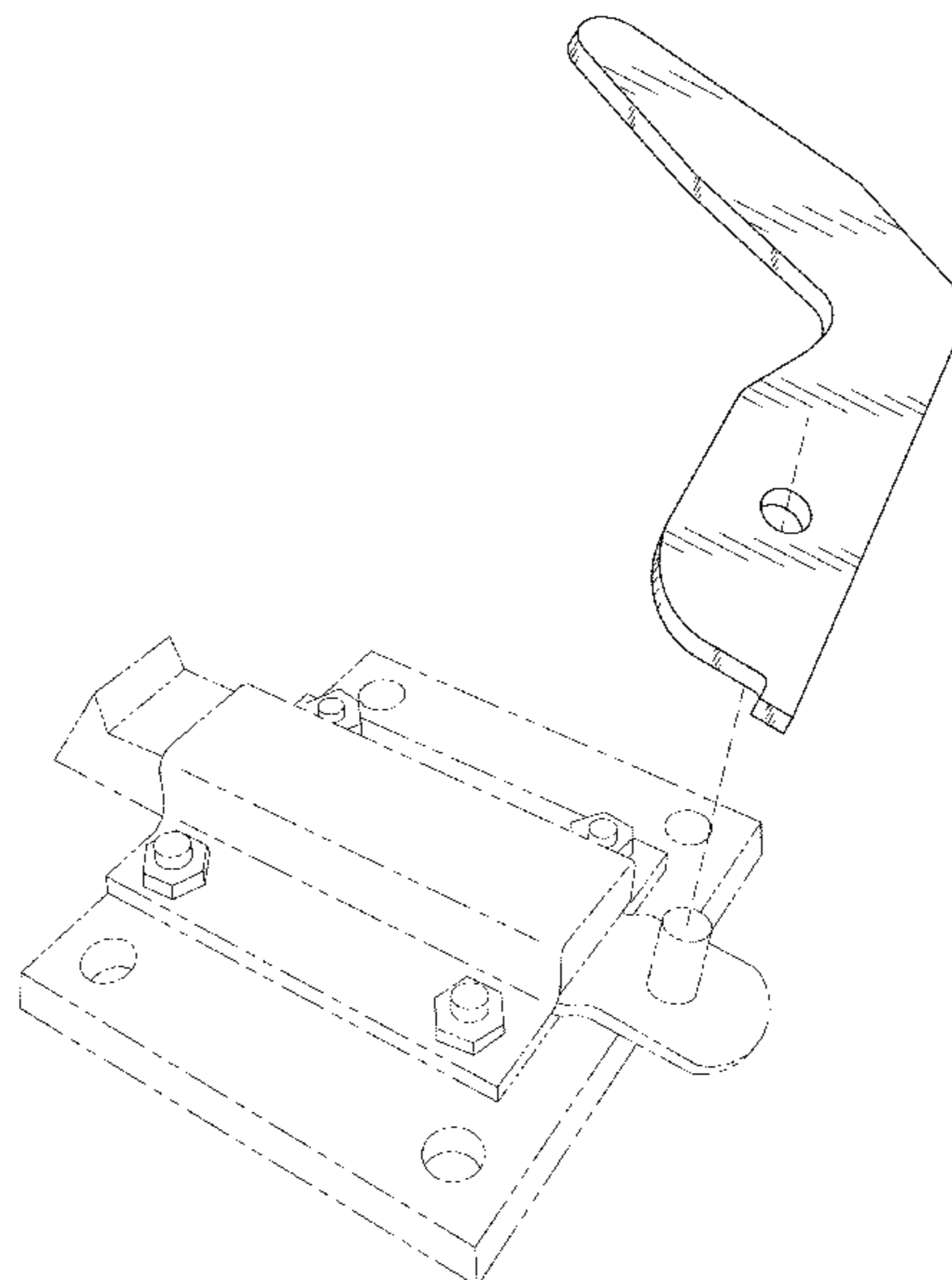
(57) **CLAIM**

The ornamental design for a handle adapted to be engaged with a latch, as shown and described.

DESCRIPTION

FIG. 1 is a front view of the handle.
FIG. 2 is a rear view of the handle.
FIG. 3 is a top view of the handle.
FIG. 4 is a bottom view of the handle.
FIG. 5 is a left-side view of the handle.
FIG. 6 is a right-side view of the handle; and,
FIG. 7 is a perspective view of the handle as it fits onto a latch.

1 Claim, 3 Drawing Sheets



US D684,838 S

Page 2

U.S. PATENT DOCUMENTS

5,724,774	A	3/1998	Rooney				
5,732,512	A	3/1998	Ueno et al.				
5,953,866	A	9/1999	Poole				
5,974,743	A	11/1999	Vaia				
5,979,136	A	11/1999	Marschak				
5,992,110	A	11/1999	Clear				
6,024,388	A *	2/2000	Tomah et al.	292/216			
6,039,201	A	3/2000	Kesterman et al.				
6,047,510	A	4/2000	Gallaway				
6,161,345	A	12/2000	Hope et al.				
6,254,261	B1 *	7/2001	Bingle et al.	362/501			
6,308,471	B1	10/2001	Raynor				
6,334,278	B1	1/2002	Arnold				
6,339,891	B1 *	1/2002	Cox	40/785			
6,369,395	B1 *	4/2002	Roessler	250/462.1			
6,393,776	B1	5/2002	Waller et al.				
6,401,403	B1	6/2002	Oviedo-Reyes				
6,415,557	B1	7/2002	McCalley				
6,415,558	B1	7/2002	Cherry				
6,434,896	B1	8/2002	Mitchell				
6,438,906	B1	8/2002	Komarowski et al.				
6,539,674	B2	4/2003	Arnold				
6,981,347	B1	1/2006	Wallburger				
7,080,489	B2	7/2006	Jedrzejewski				
7,097,216	B2 *	8/2006	Lane et al.	292/216			
7,127,865	B2	10/2006	Douglas				
7,237,362	B2	7/2007	Bishop				
7,356,970	B1	4/2008	Frobosilo				
7,493,729	B1	2/2009	Semmes				
7,621,209	B2	11/2009	Bateman et al.				
7,690,159	B1	4/2010	Arnold				
7,762,033	B2	7/2010	Scott et al.				
D644,061	S *	8/2011	Griffith et al.	D7/395			
D649,002	S *	11/2011	Steinhobel et al.	D8/107			
8,096,018	B2 *	1/2012	Lee	16/110.1			
D661,964	S *	6/2012	Pangborn	D8/107			
2003/0167708	A1	9/2003	Shaw et al.				
2003/0172597	A1	9/2003	Folkema				
2004/0003546	A1	1/2004	Sissons				
2006/0254166	A1	11/2006	Michels et al.				
2007/0094963	A1	5/2007	McDonald et al.				
2007/0151186	A1	7/2007	Hanks et al.				
2010/0088974	A1	4/2010	Scott, IV				
2010/0115858	A1	5/2010	Olsen				

* cited by examiner

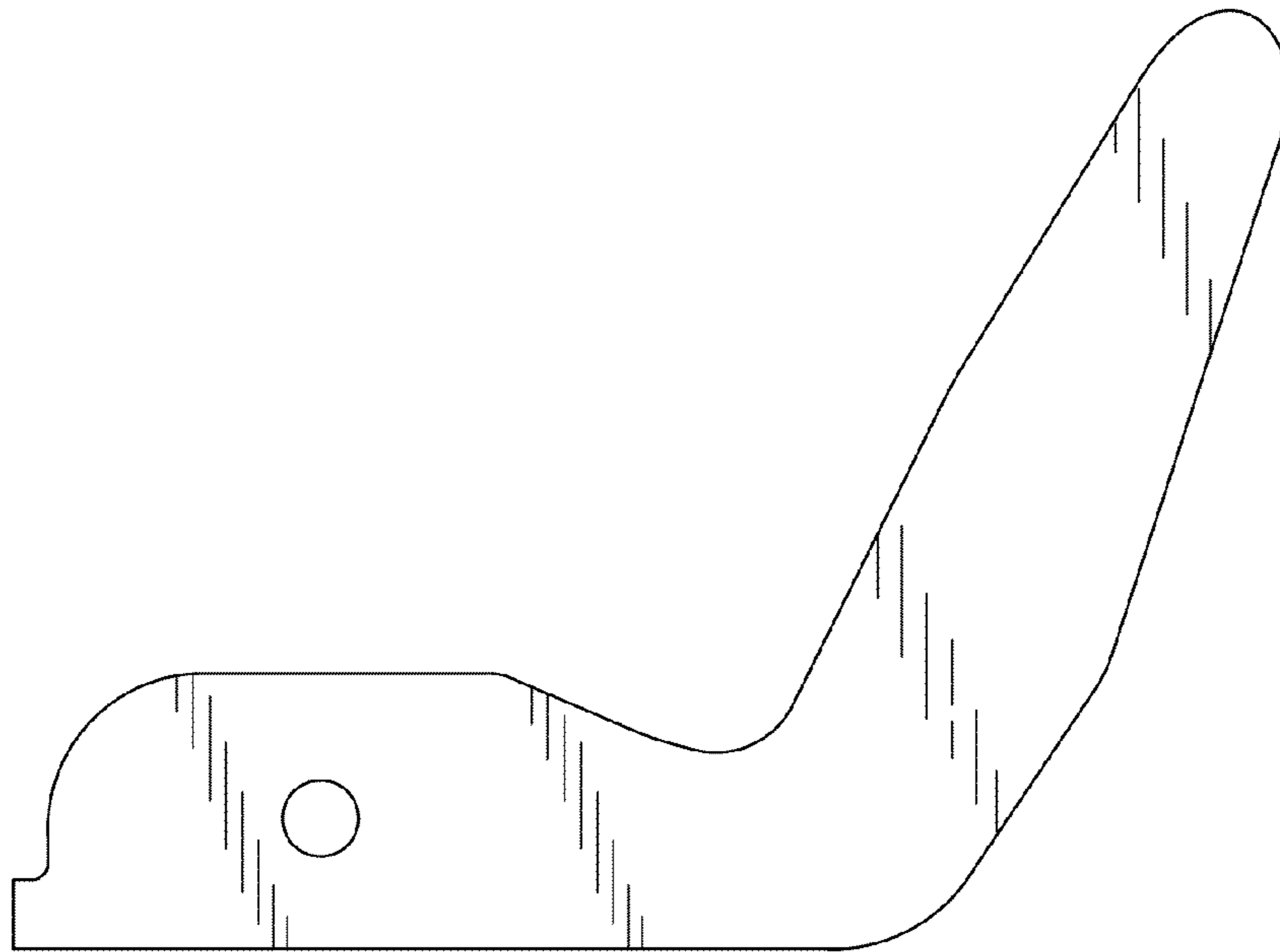


FIG. 1

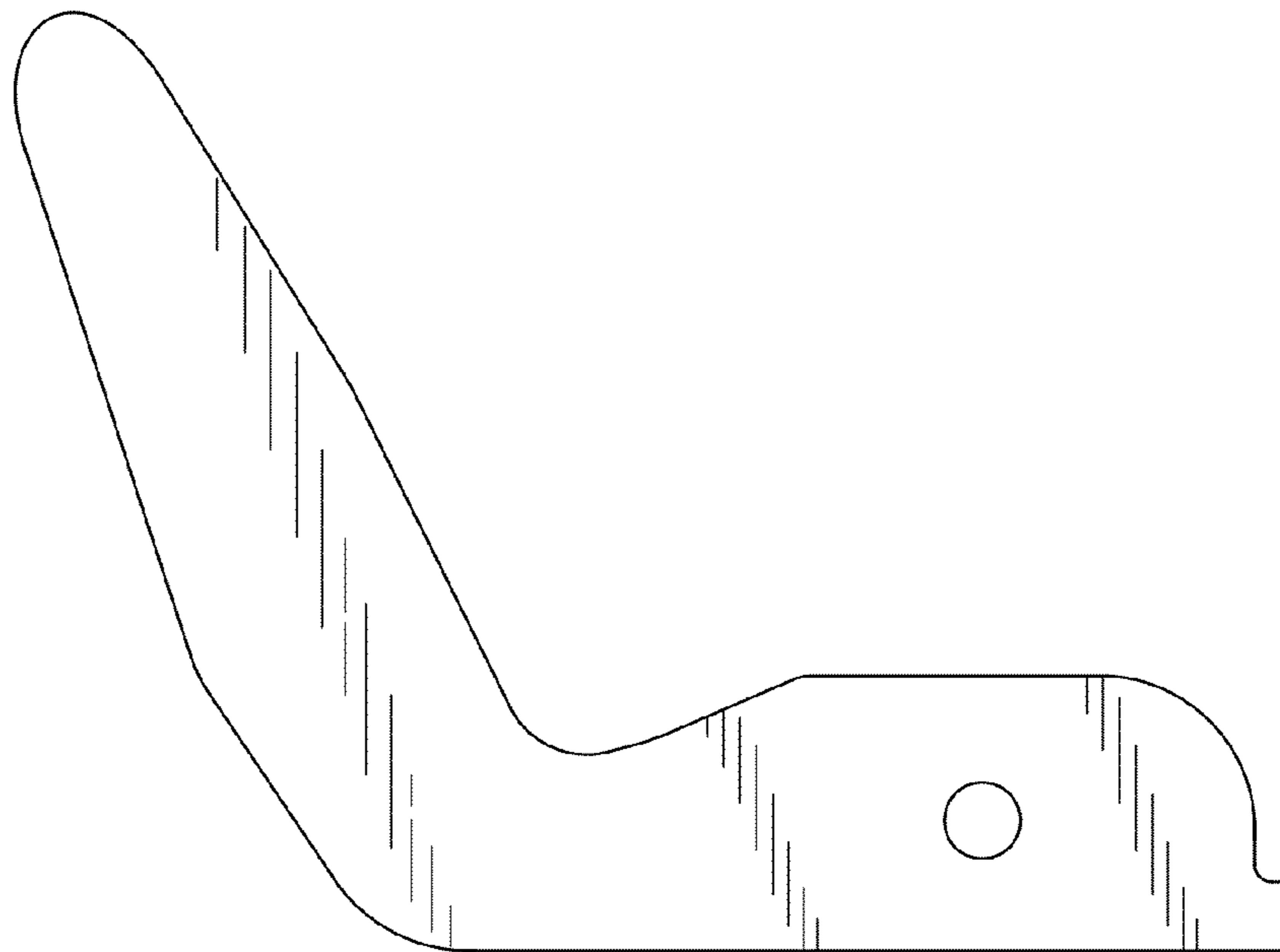
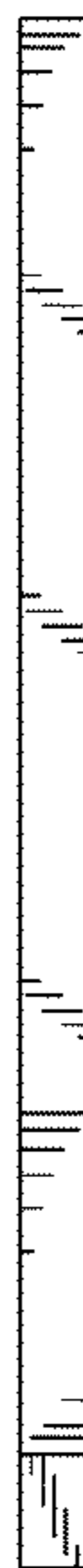
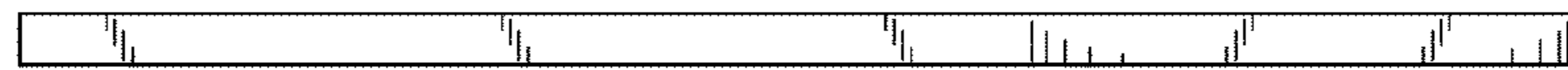
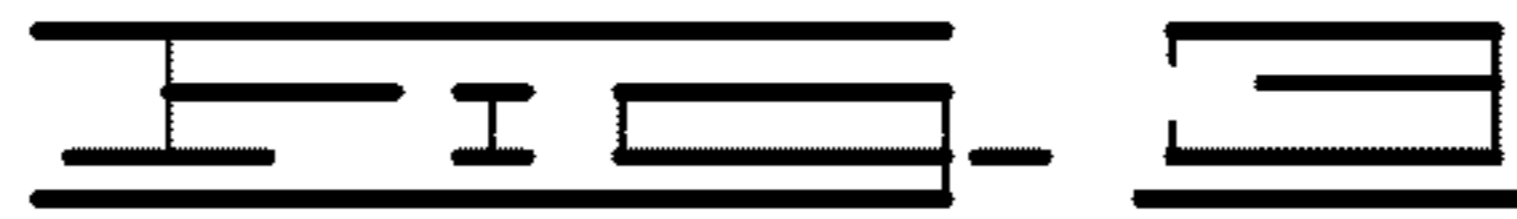


FIG. 2



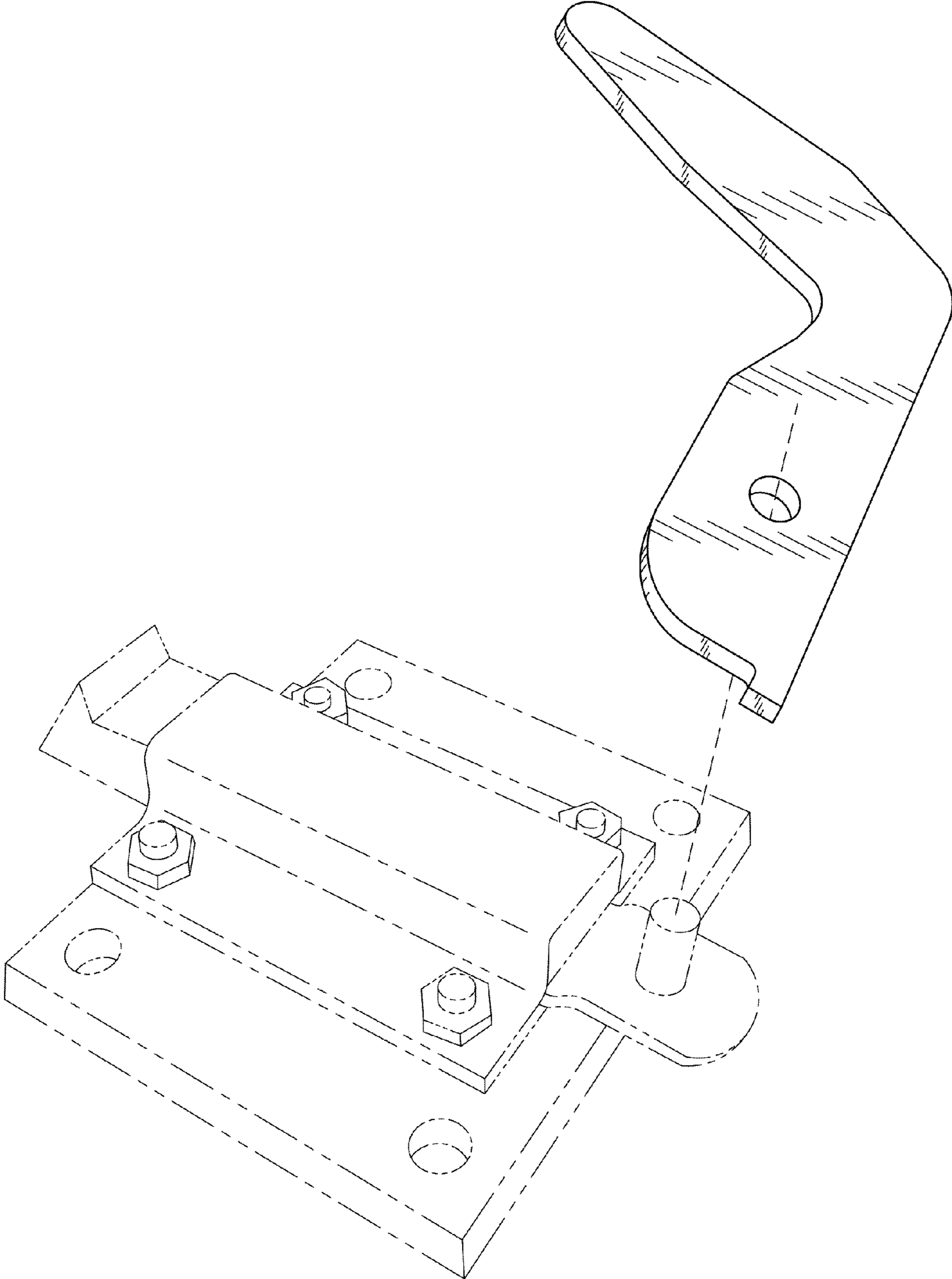


FIG. 7