

US00D684837S

(12) **United States Design Patent**  
**Maldonado**

(10) **Patent No.:** **US D684,837 S**  
(45) **Date of Patent:** **\*\* Jun. 25, 2013**

(54) **TOILET SEAT LIFTER**

(76) Inventor: **David J. Maldonado**, Tucson, AZ (US)

(\*\*) Term: **14 Years**

(21) Appl. No.: **29/423,921**

(22) Filed: **Jun. 6, 2012**

(51) **LOC (9) Cl.** ..... **08-06**

(52) **U.S. Cl.**  
USPC ..... **D8/307**

(58) **Field of Classification Search**  
USPC ..... D8/300, 307, 326, 349, 354; D11/200,  
D11/202, 218; 4/246.1, 246.3; 16/110.1,  
16/115, 416, 422; 36/136; D2/639; D17/20;  
D23/303, 309, 311; 24/3.1, 16 R, 68 R, 66.5,  
24/66.9, 72.1

See application file for complete search history.

(56) **References Cited**

**U.S. PATENT DOCUMENTS**

1,999,555	A *	4/1935	Adams	.....	4/246.1
4,519,105	A *	5/1985	Blanck	.....	4/246.1
D301,084	S *	5/1989	Mathews	.....	D2/639
4,875,251	A	10/1989	Hazard		
5,058,215	A	10/1991	Sims		
D363,976	S *	11/1995	Vinal	.....	D8/307
D376,994	S *	12/1996	Norris	.....	D11/218
D379,558	S *	6/1997	Mischenko et al.	.....	D3/215
D395,489	S *	6/1998	Abusaad	.....	D8/307
D440,642	S *	4/2001	English et al.	.....	D8/307
D442,351	S *	5/2001	Moxey, Jr.	.....	D2/639
D461,287	S *	8/2002	Hansen	.....	D32/41

6,842,916	B1 *	1/2005	Gunn et al.	.....	4/246.1
D519,056	S *	4/2006	Yoshiguchi	.....	D11/200
D535,175	S *	1/2007	Pido et al.	.....	D8/307
D618,982	S	7/2010	Golden		
D622,127	S	8/2010	Ferraro		
D657,653	S *	4/2012	Pettus	.....	D8/307
2011/0214226	A1	9/2011	Dundas		

\* cited by examiner

*Primary Examiner* — Paula Greene

(74) *Attorney, Agent, or Firm* — Montgomery Patent & Design; Robert C. Montgomery

(57) **CLAIM**

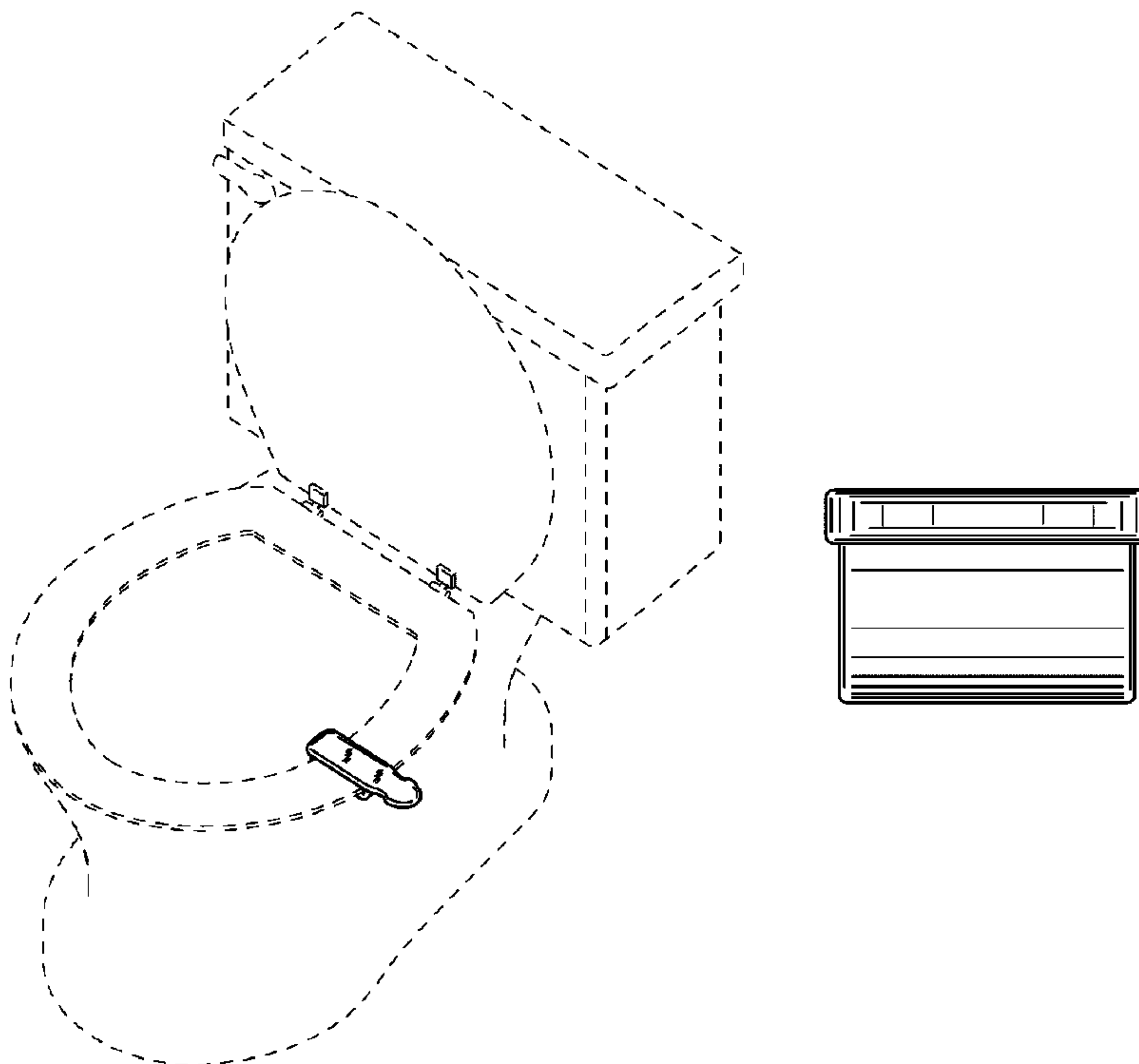
The ornamental design for a toilet seat lifter, as shown and described.

**DESCRIPTION**

FIG. 1 is a perspective top view of a toilet seat lifter depicted in use on a toilet seat, showing my new design;  
FIG. 2 is a perspective top view the toilet seat lifter;  
FIG. 3 is a front view thereof;  
FIG. 4 is a rear view thereof;  
FIG. 5 is a left side view thereof with a right side view being a mirror image;  
FIG. 6 is a top view thereof; and,  
FIG. 7 is a bottom view thereof.

The broken line showing of a toilet is for the purpose of illustrating environmental structure and forms no part of the claimed design.

**1 Claim, 6 Drawing Sheets**



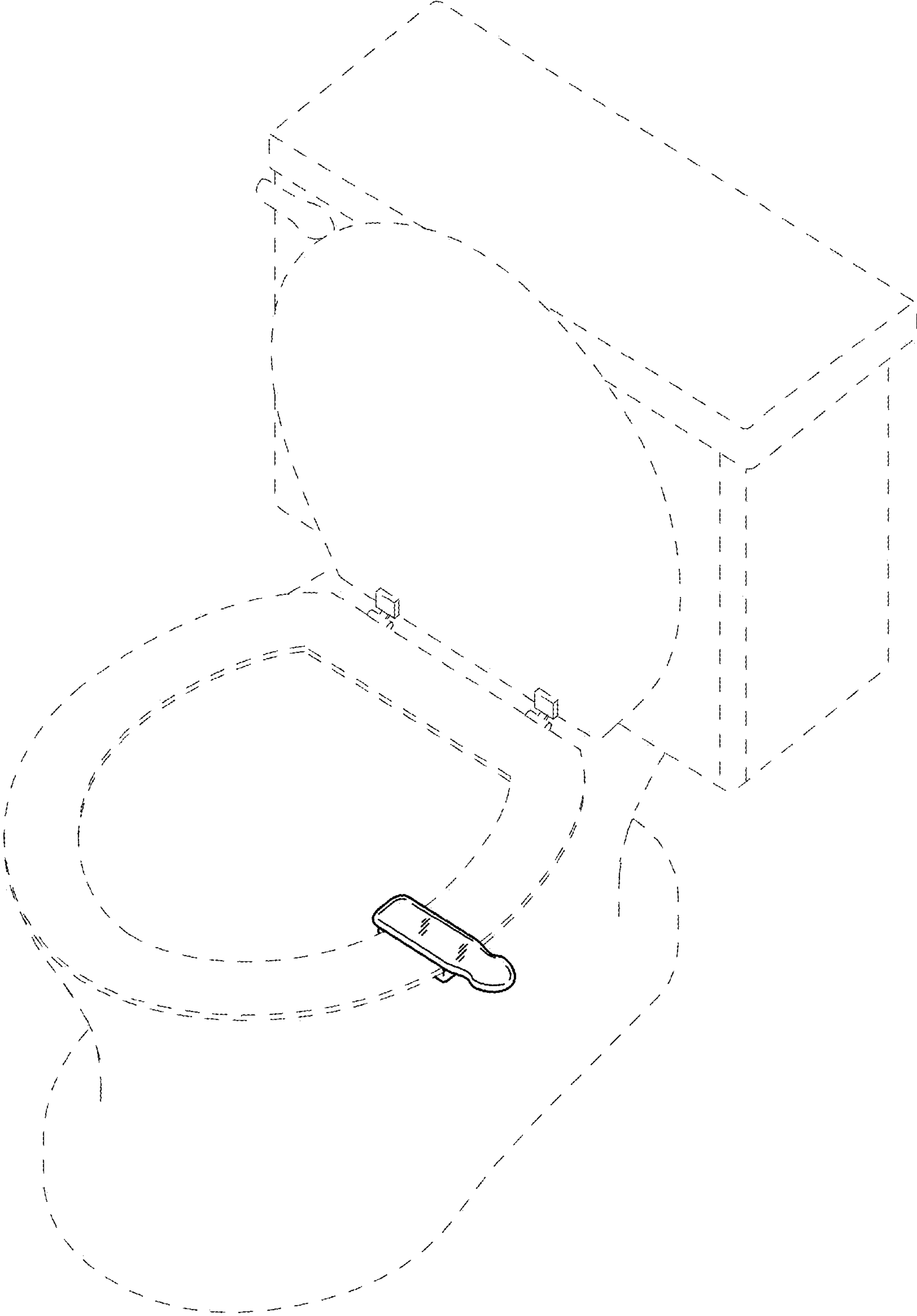


Fig. 1

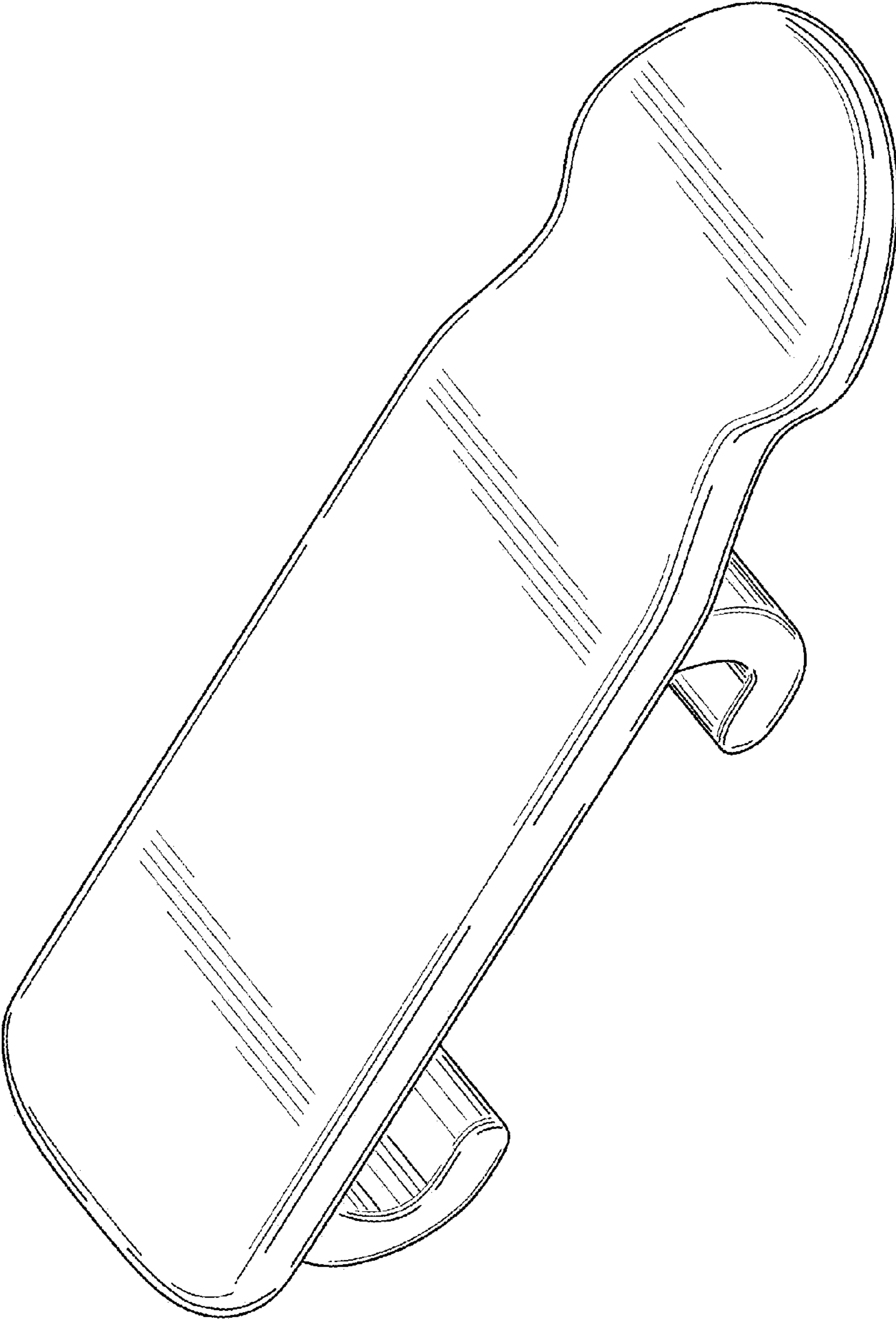


Fig. 2

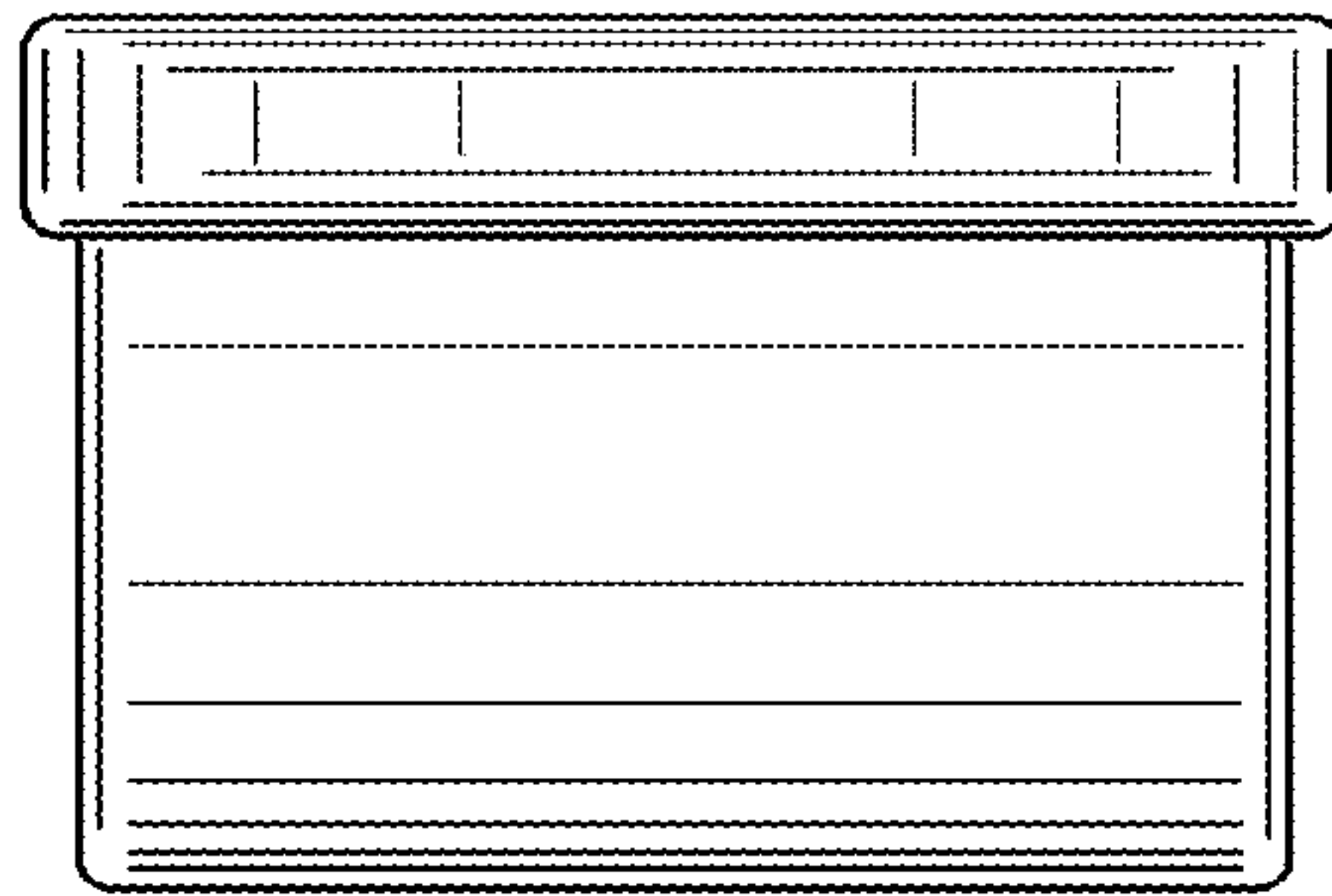


Fig. 3

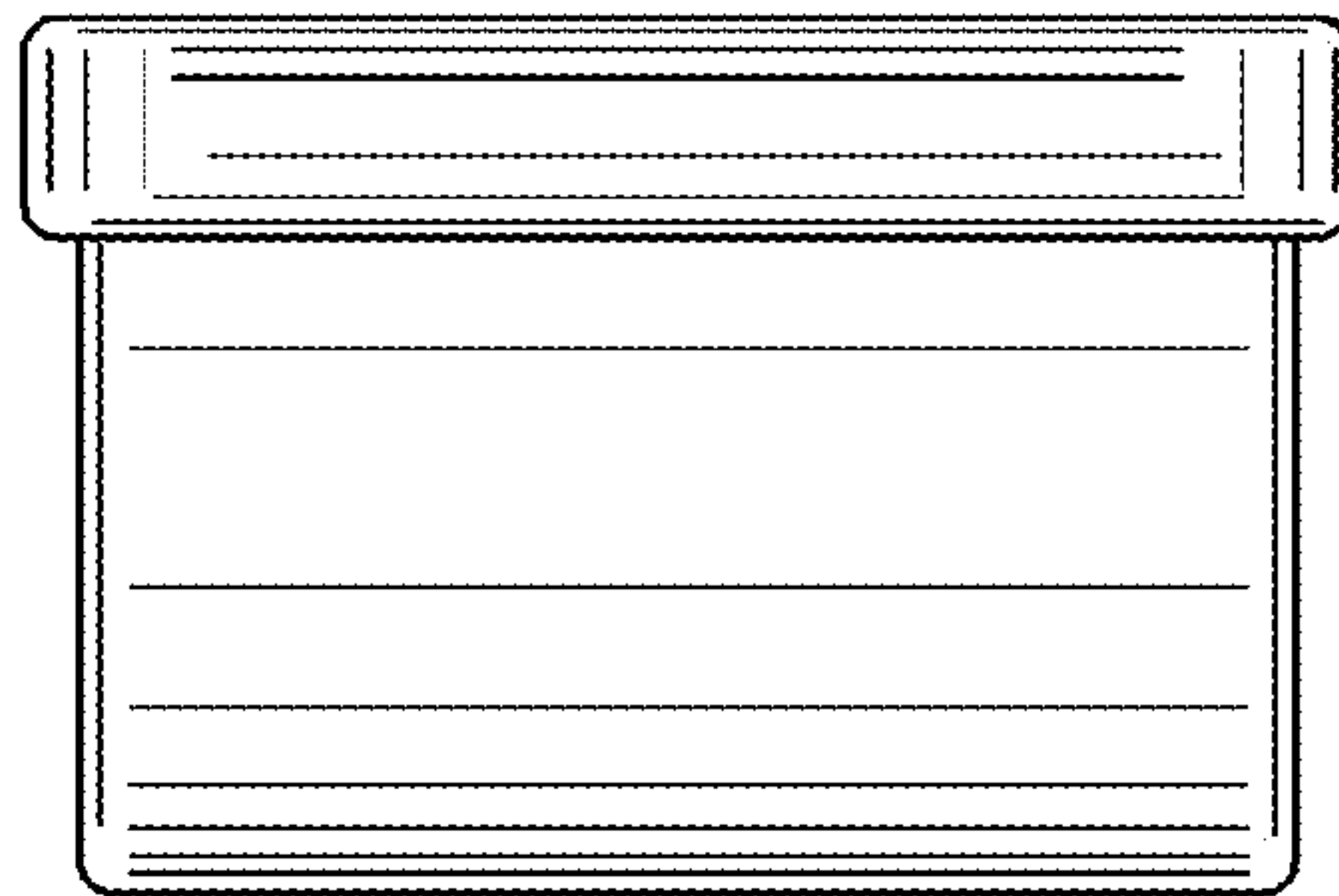


Fig. 4

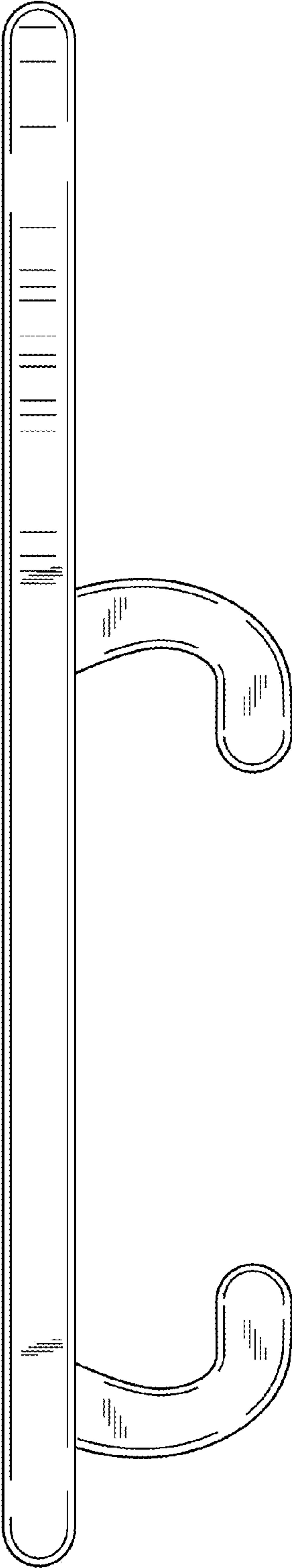


Fig. 5

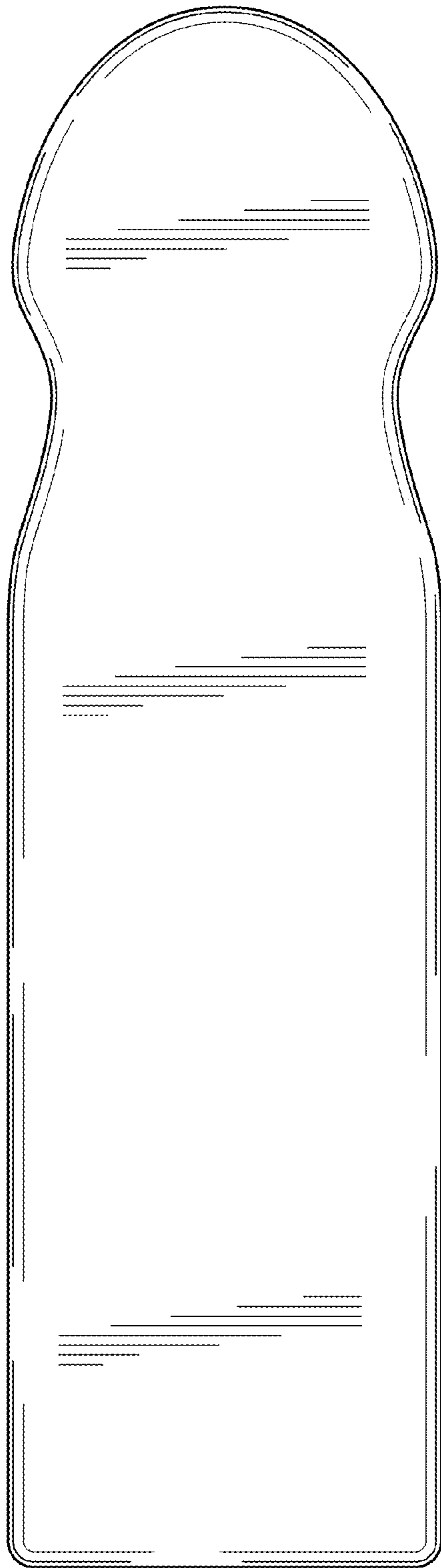


Fig. 6

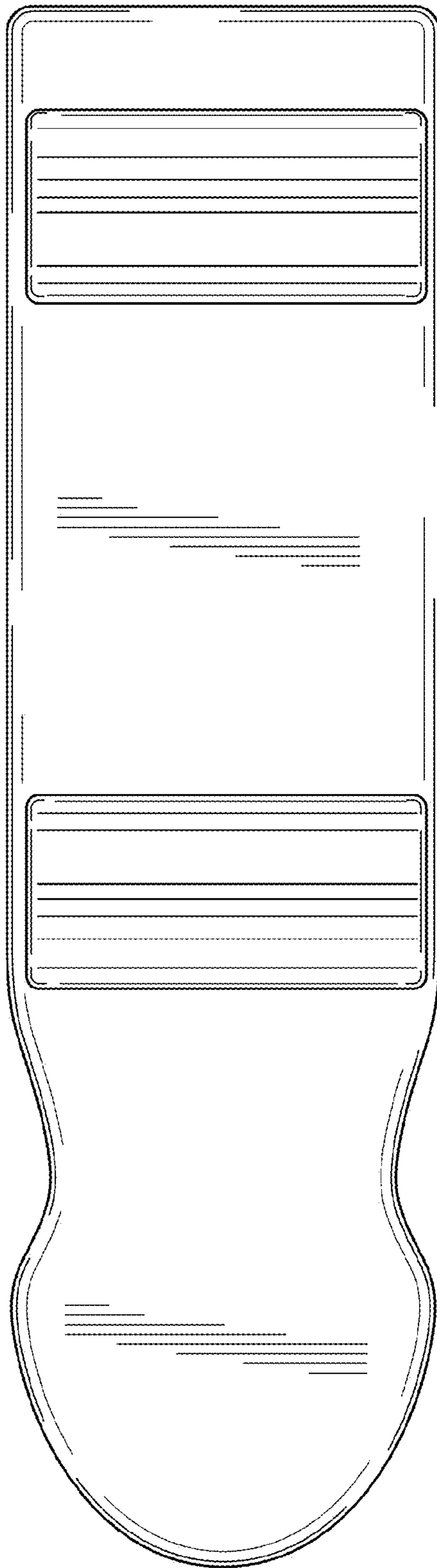


Fig. 7