



US00D684835S

(12) **United States Design Patent**
Haener et al.

(10) **Patent No.:** **US D684,835 S**
(45) **Date of Patent:** **** Jun. 25, 2013**

(54) **GAUGE FACE**
(75) Inventors: **Brandt A. Haener**, Los Osos, CA (US);
Brendan P. Kelso, Atascadero, CA (US)

8,016,442 B2 * 9/2011 Kato 362/30
8,225,736 B2 * 7/2012 Cook 116/288
8,237,394 B2 * 8/2012 Nakane 318/696

(73) Assignee: **Illinois Tool Works Inc.**, Glenview, IL
(US)

OTHER PUBLICATIONS

Co-pending U.S. Appl. No. 29/405,252, filed Oct. 31, 2011; inventors
Ethan Stansbury et al.; title Dual Head Digital Gauge.
Co-pending U.S. Appl. No. 29/405,249, filed Oct. 31, 2011; inventors
Ethan Stansbury et al.; title Digital Gauge With Hose.

(**) Term: **14 Years**

* cited by examiner

(21) Appl. No.: **29/405,193**

Primary Examiner — Antoine D Davis

(22) Filed: **Oct. 31, 2011**

(74) *Attorney, Agent, or Firm* — Pauley Petersen & Erickson

(51) **LOC (9) Cl.** **08-05**

(57) **CLAIM**

(52) **U.S. Cl.**
USPC **D8/70; D15/140**

The ornamental design for a gauge face, as shown and
described.

(58) **Field of Classification Search**
USPC D10/83–85, 96–103; 116/284–305,
116/309, 310, 334, 335, DIG. 36, 62.1–62.3;
362/23–30, 362
See application file for complete search history.

DESCRIPTION

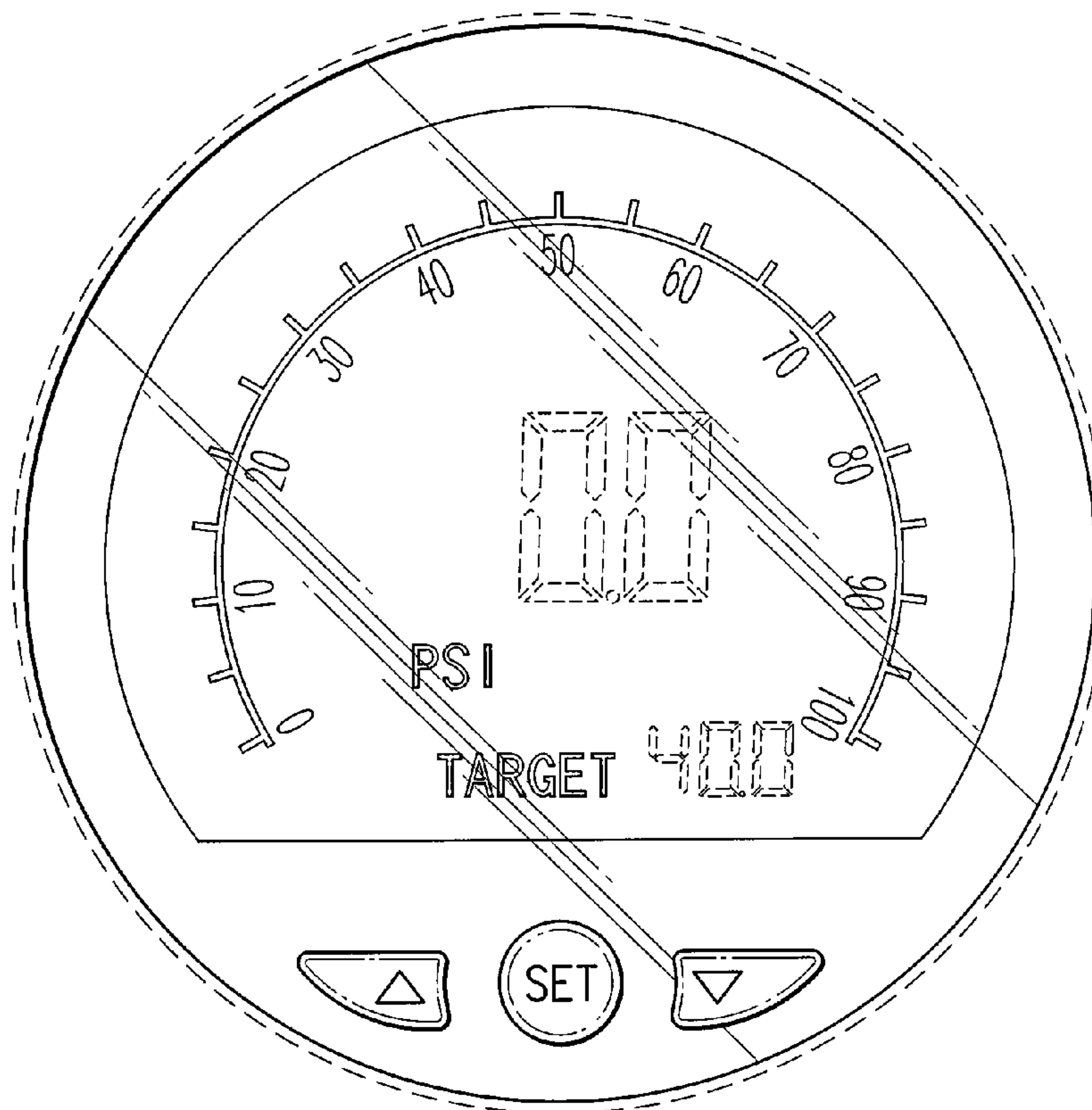
FIG. 1 is a front view of a gauge face at a zero reading; and,
FIG. 2 is an exemplary embodiment of the front view of the
gauge face shown in FIG. 1 showing a plurality of illuminated
bars at a measured reading.
The broken line showing of structural features is included for
the purpose of illustrating non-claimed subject matter and
forms no part of the claimed design.

(56) **References Cited**

U.S. PATENT DOCUMENTS

D514,007 S * 1/2006 Buchanan D10/99
D629,708 S * 12/2010 Popp D10/103

1 Claim, 2 Drawing Sheets



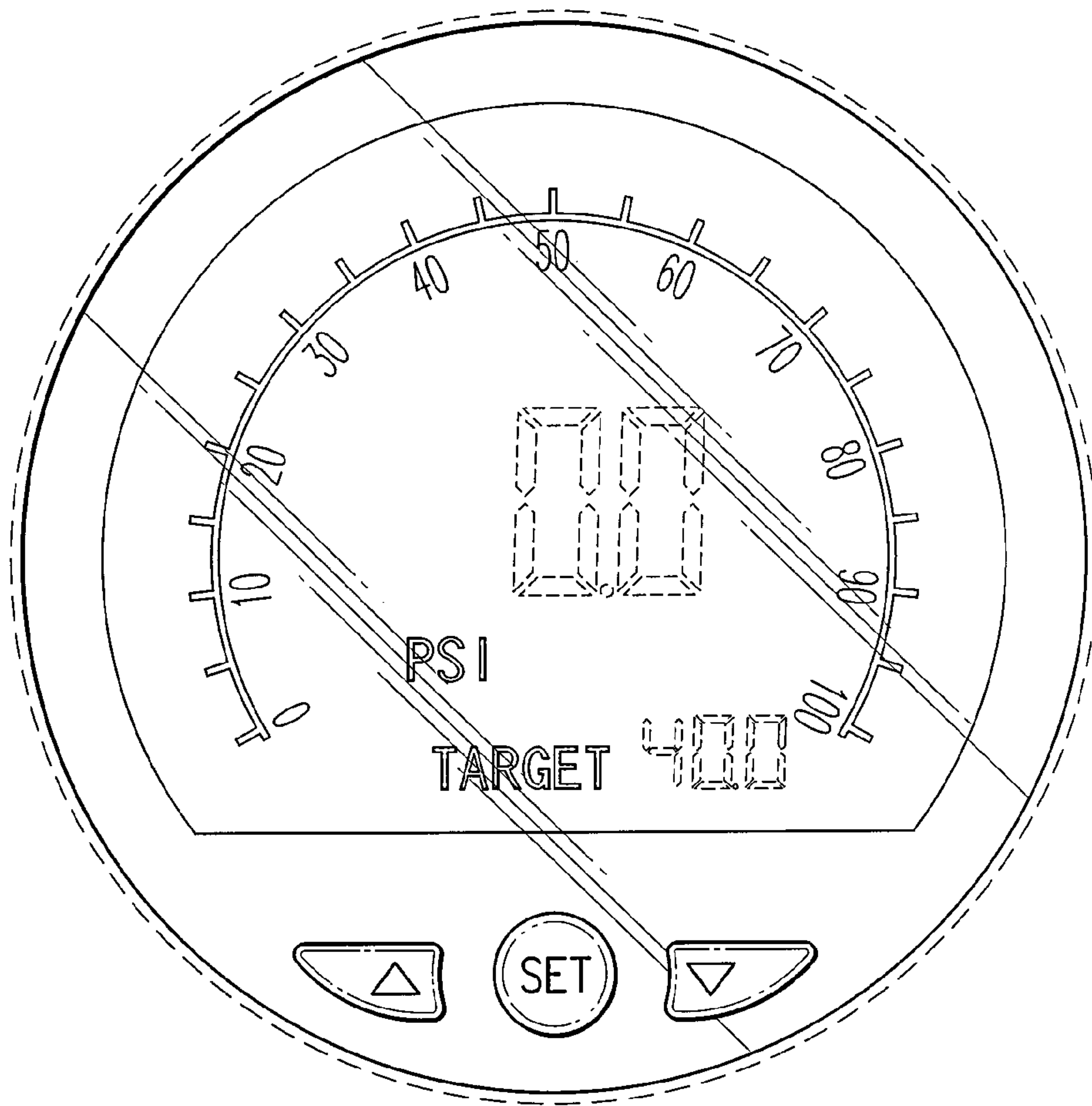


FIG. 1

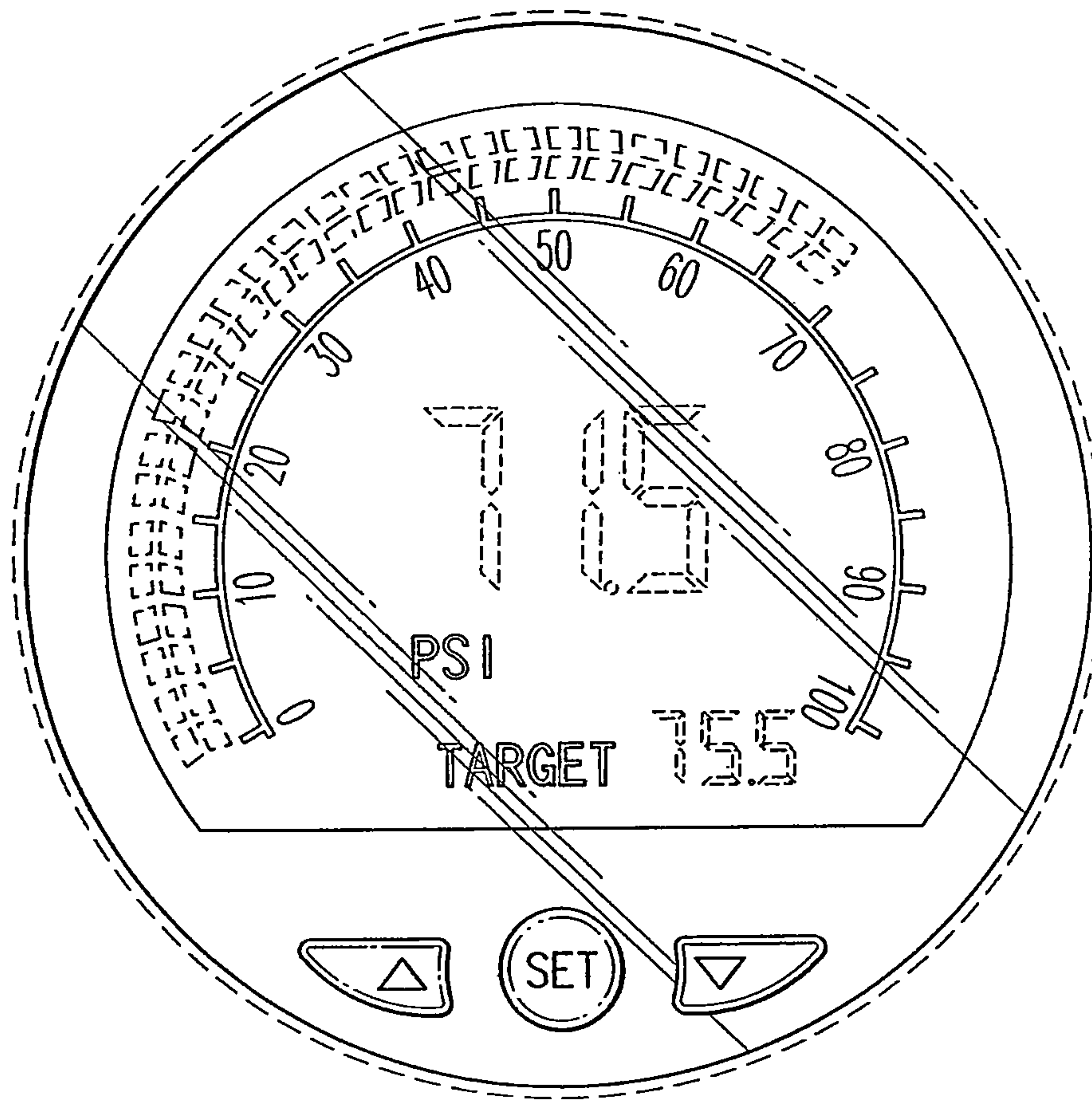


FIG. 2