



US00D684834S

(12) **United States Design Patent**
Chen

(10) **Patent No.:** **US D684,834 S**
(45) **Date of Patent:** **** Jun. 25, 2013**

- (54) **PANEL BEATING TOOL**
- (76) Inventor: **Bing-Sheng Chen**, Taichung (TW)
- (**) Term: **14 Years**
- (21) Appl. No.: **29/401,565**
- (22) Filed: **Sep. 12, 2011**
- (51) **LOC (9) Cl.** **08-05**
- (52) **U.S. Cl.**
USPC **D8/70; D8/46**
- (58) **Field of Classification Search**
USPC D8/14, 16, 46-47, 70, 75, 77-78,
D8/90, 98, 101, 106; 7/100, 144-146, 158,
7/166-167; 72/478-479, 705
See application file for complete search history.

5,732,591 A *	3/1998	Johnson	72/476
5,809,847 A *	9/1998	Johnson	76/109
D424,397 S *	5/2000	Wiseman	D8/98
6,470,729 B1 *	10/2002	Hughes et al.	72/479
7,124,615 B1 *	10/2006	Gallegos	72/392
D574,204 S *	8/2008	Carnevali	D8/46

* cited by examiner

Primary Examiner — Philip S Hyder
Assistant Examiner — Roselynn Cody
 (74) *Attorney, Agent, or Firm* — Muncy, Geissler, Olds & Lowe, PLLC

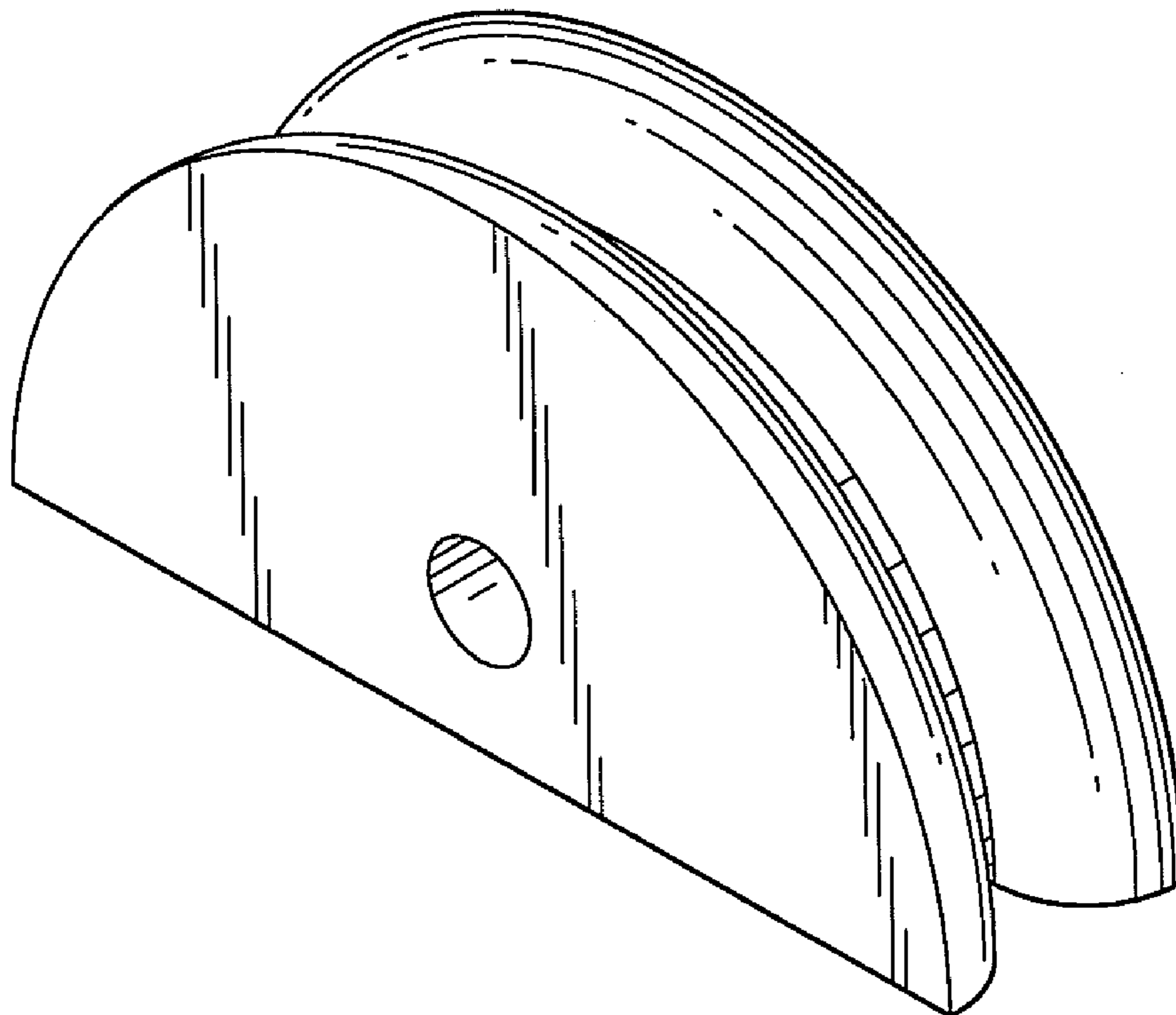
(57) **CLAIM**
 I claim the ornamental design for a panel beating tool, as shown and described.

DESCRIPTION

FIG. 1 is a perspective view of the panel beating tool showing my new design;
 FIG. 2 is a front view thereof;
 FIG. 3 is a rear view thereof;
 FIG. 4 is a left view thereof;
 FIG. 5 is a right view thereof;
 FIG. 6 is a top plan view thereof; and,
 FIG. 7 is a bottom plan view thereof.

1 Claim, 4 Drawing Sheets

- (56) **References Cited**
- U.S. PATENT DOCUMENTS
- D113,237 S * 2/1939 Oppermann D8/46
- D113,760 S * 3/1939 Oppermann D8/46
- 2,314,617 A * 3/1943 Gambino 72/466.6
- 2,340,950 A * 2/1944 Ferguson 72/477
- 2,416,916 A * 3/1947 Ferguson 72/466.6
- 3,184,942 A * 5/1965 Cookson 72/179
- 3,541,836 A * 11/1970 Meis 72/479
- 3,690,137 A * 9/1972 Cookson 72/180
- 5,497,648 A * 3/1996 Crossman 72/466.6



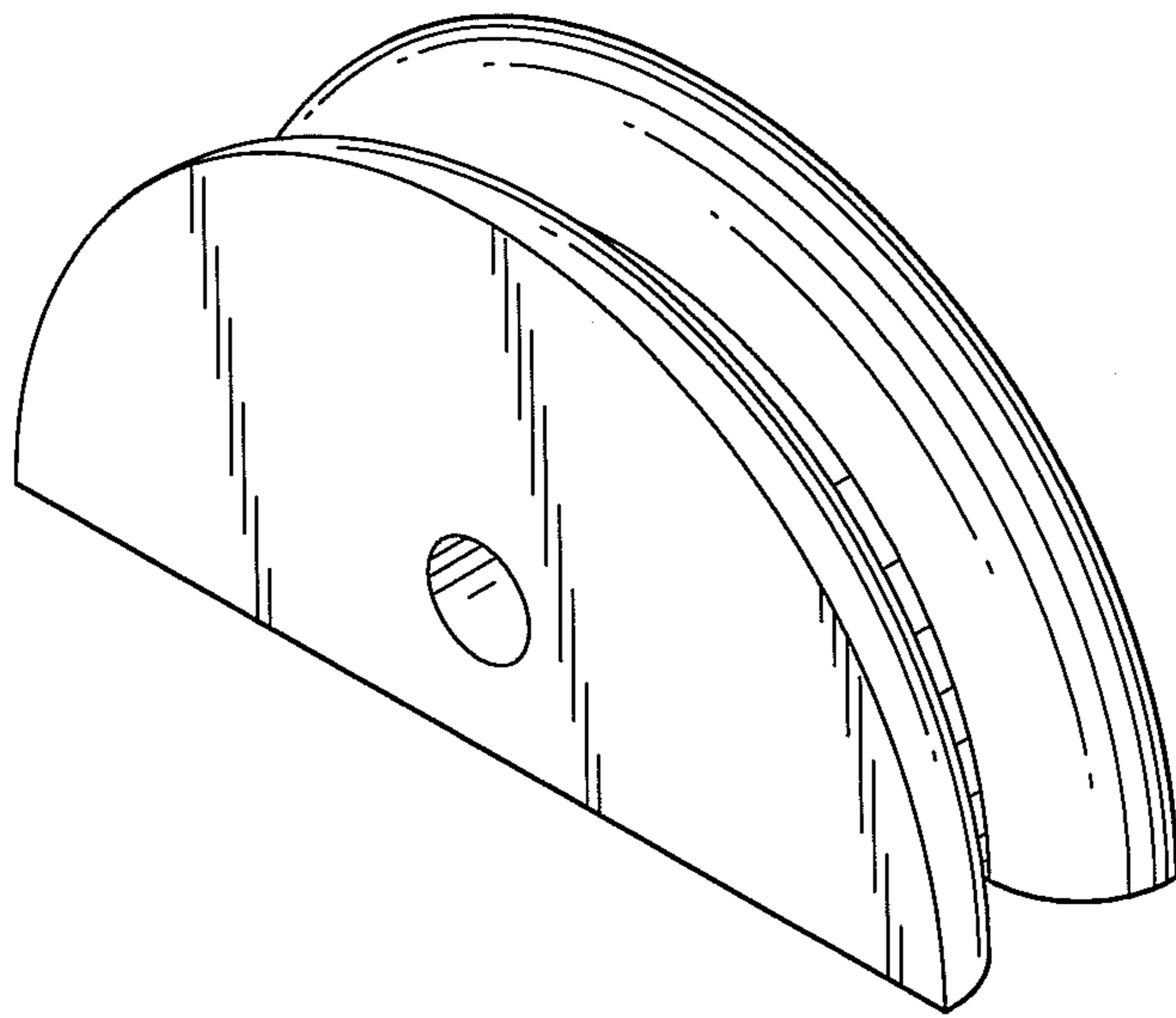


FIG. 1

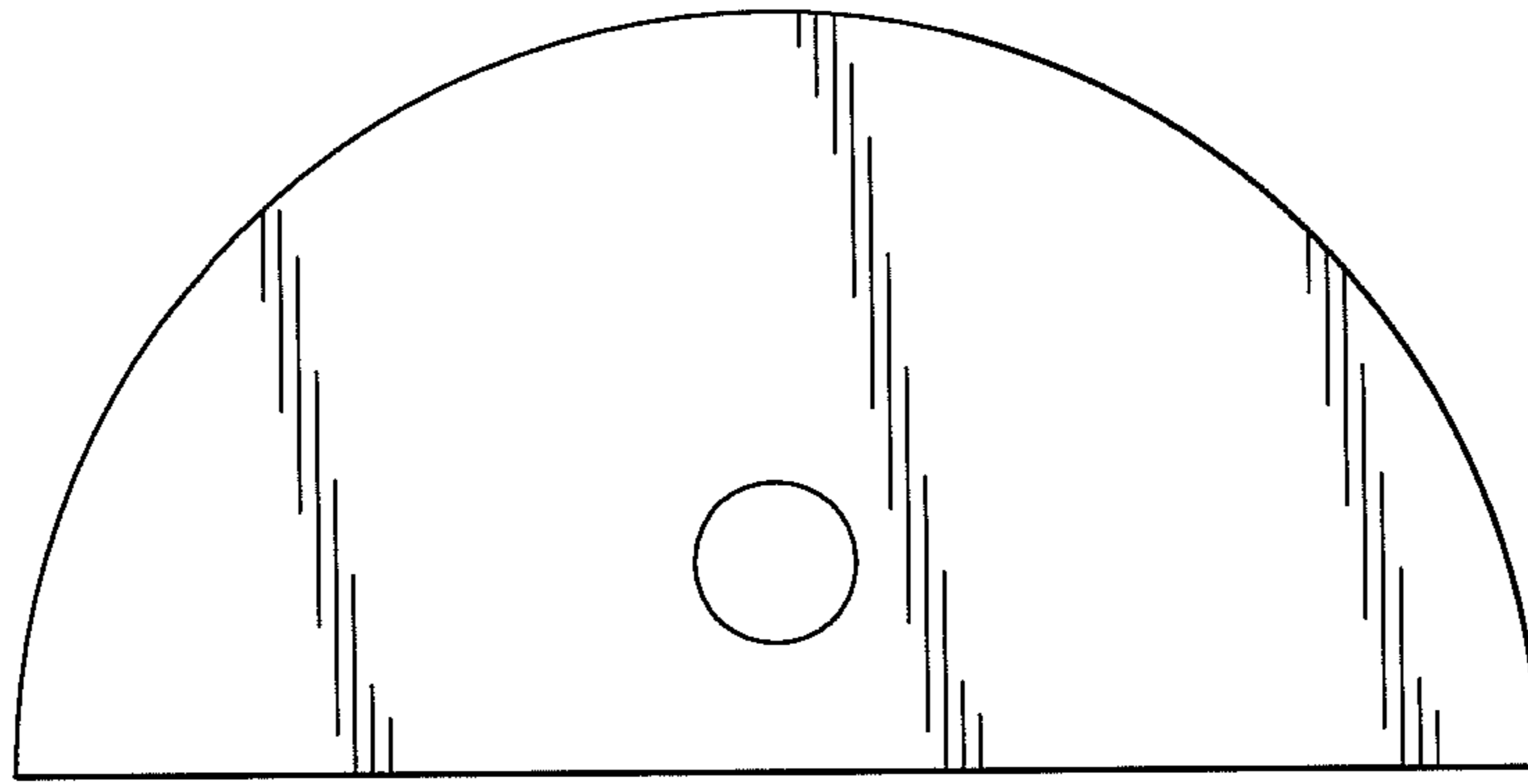


FIG. 2

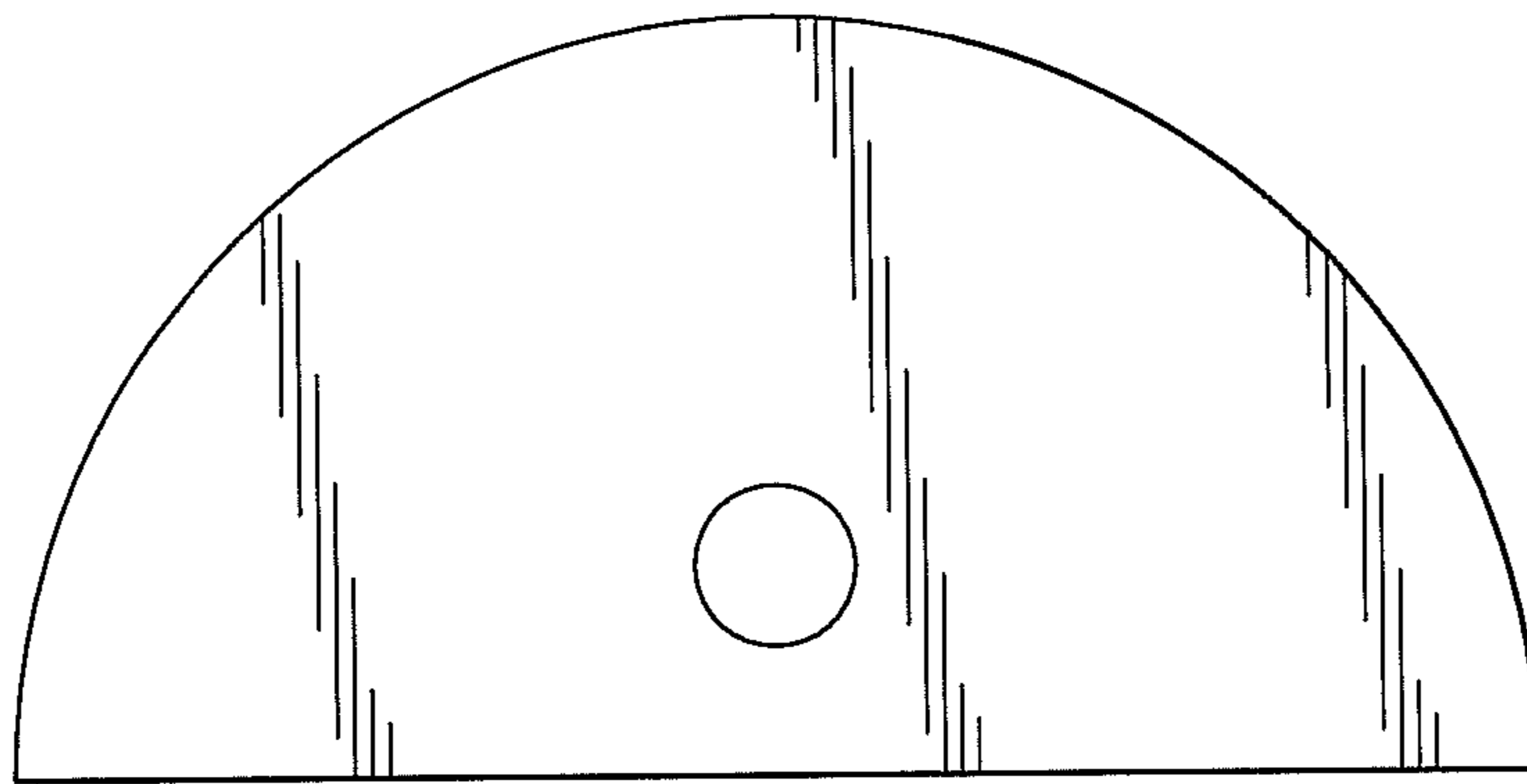


FIG. 3

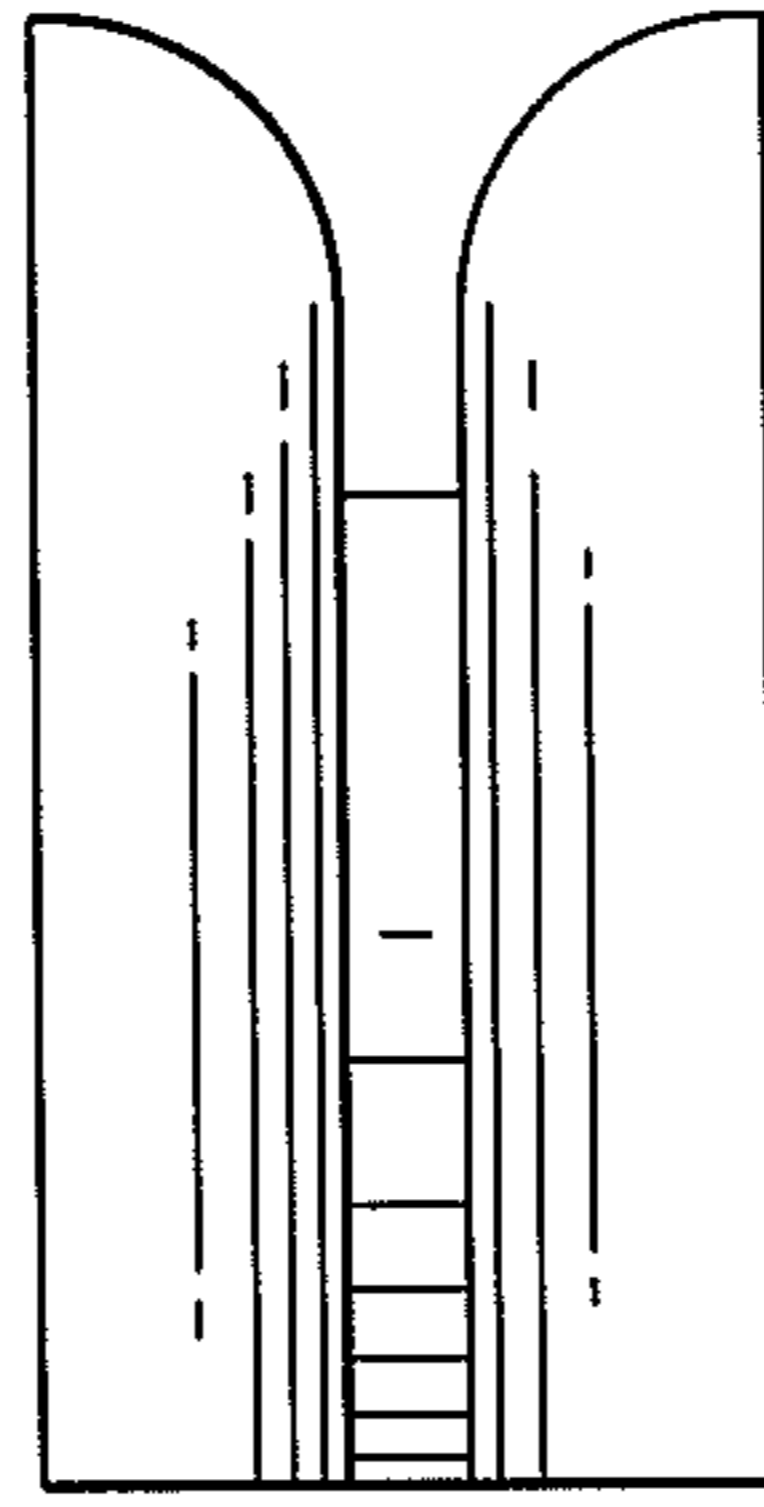


FIG. 4

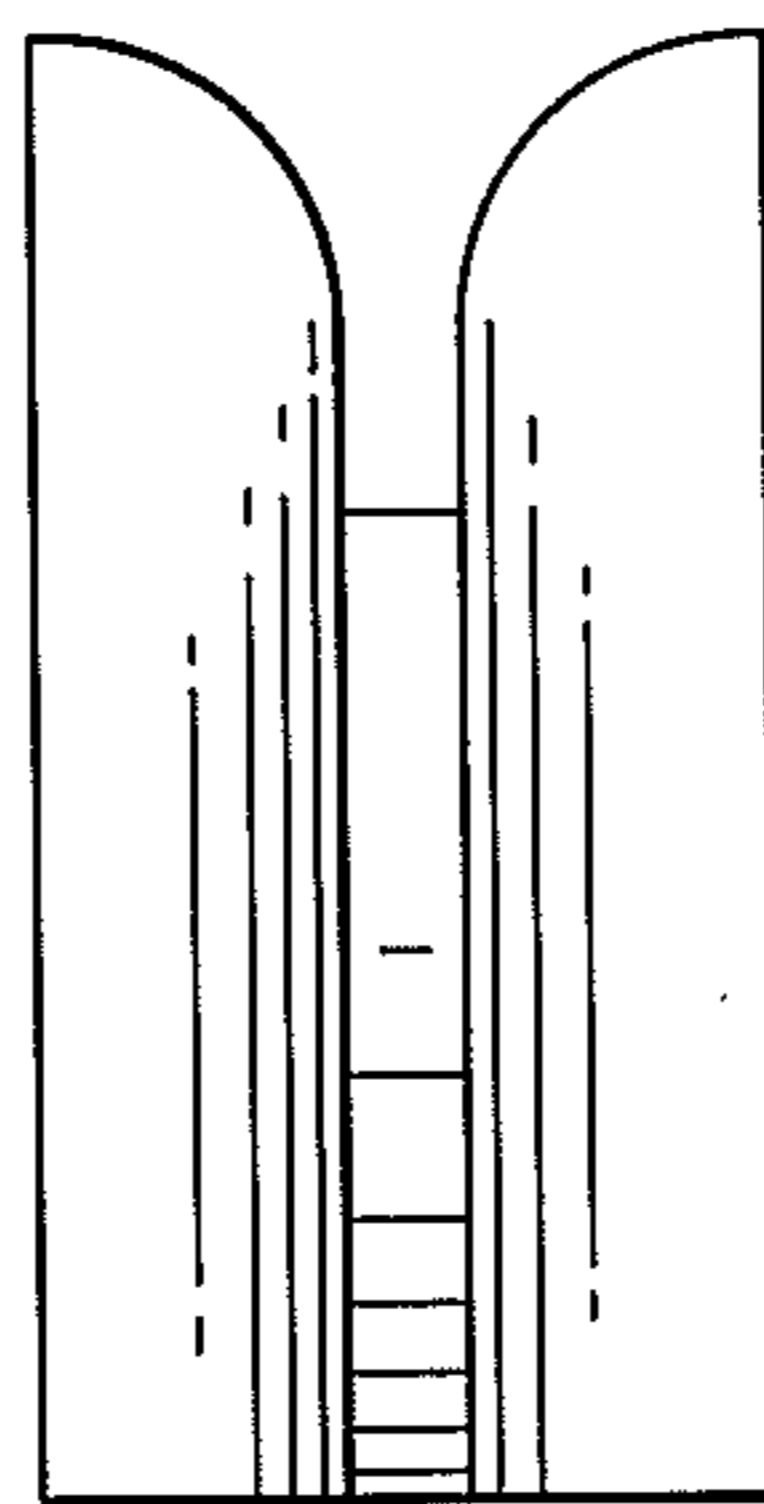


FIG. 5

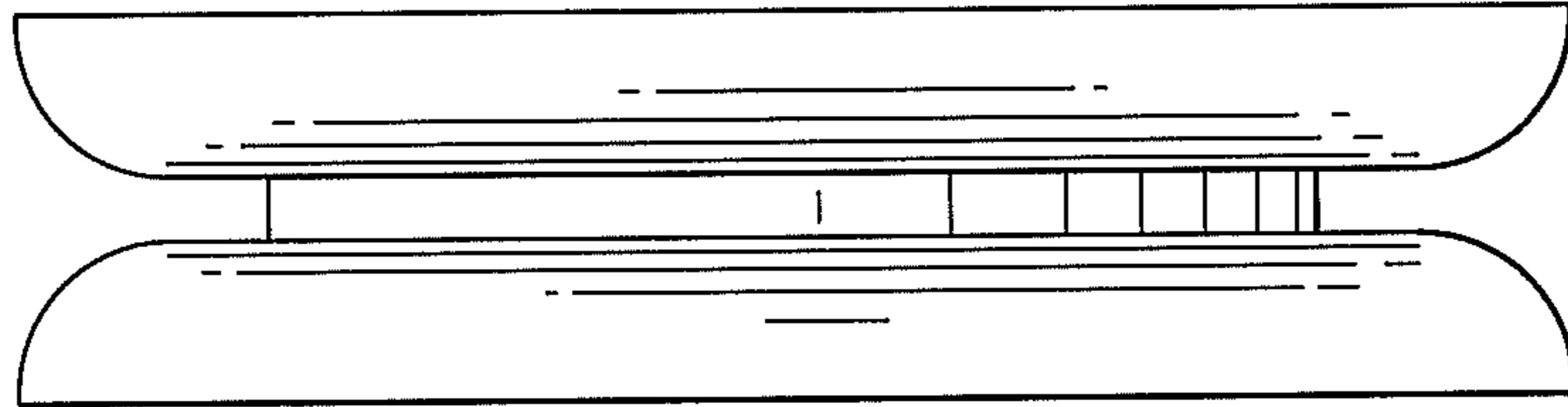


FIG. 6

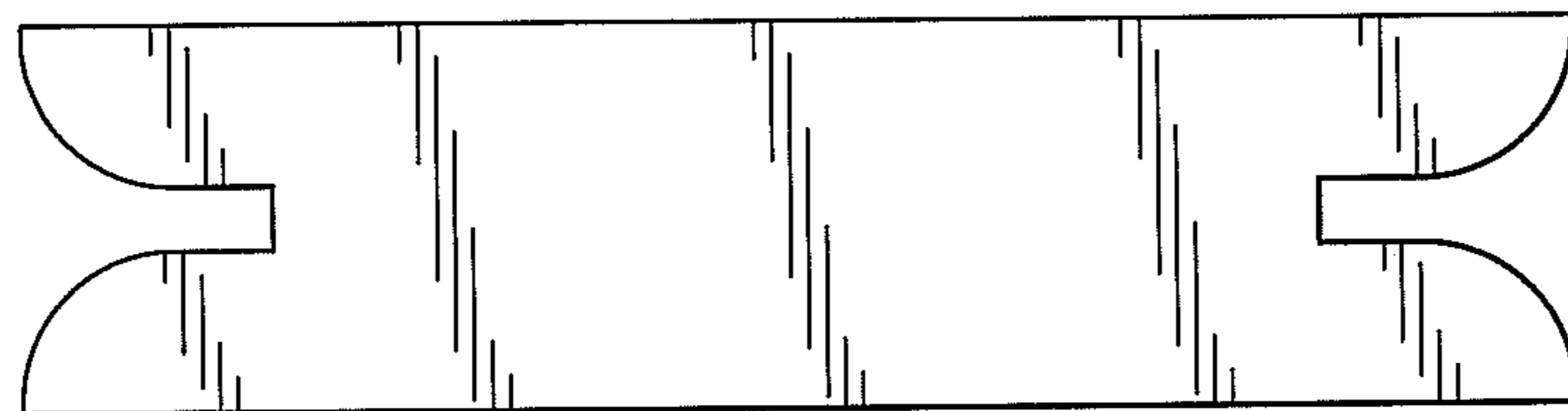


FIG. 7