



US00D684833S

(12) **United States Design Patent**  
**Baumann**

(10) **Patent No.:** **US D684,833 S**  
(45) **Date of Patent:** **\*\* Jun. 25, 2013**

(54) **FOUR-JAW COLLET CHUCK**

(75) Inventor: **Hans Baumann**, Sontheim/Brenz (DE)

(73) Assignee: **ROEHM GmbH**, Sontheim (DE)

(\*\*) Term: **14 Years**

(21) Appl. No.: **29/398,056**

(22) Filed: **Jul. 26, 2011**

**Related U.S. Application Data**

(62) Division of application No. 29/387,307, filed on Mar. 11, 2011, now Pat. No. Des. 656,805.

**Foreign Application Priority Data**

Mar. 13, 2011 (EM) ..... 001753906

(51) **LOC (9) Cl.** ..... **08-05**

(52) **U.S. Cl.**  
USPC ..... **D8/70; D15/140**

(58) **Field of Classification Search**  
USPC D8/61-71; 175/320, 324, 393, 415; 279/145,  
279/60-64, 157, 901-902; 299/33; 408/239 R;  
81/429

See application file for complete search history.

(56) **References Cited**

**U.S. PATENT DOCUMENTS**

4,840,387	A *	6/1989	McCarthy	.....	279/134
D336,481	S *	6/1993	Silvia	.....	D15/140
D489,078	S *	4/2004	Roy	.....	D15/140
7,455,303	B2 *	11/2008	Draudt et al.	.....	279/63

\* cited by examiner

*Primary Examiner* — Antoine D Davis

(74) *Attorney, Agent, or Firm* — Andrew Wilford

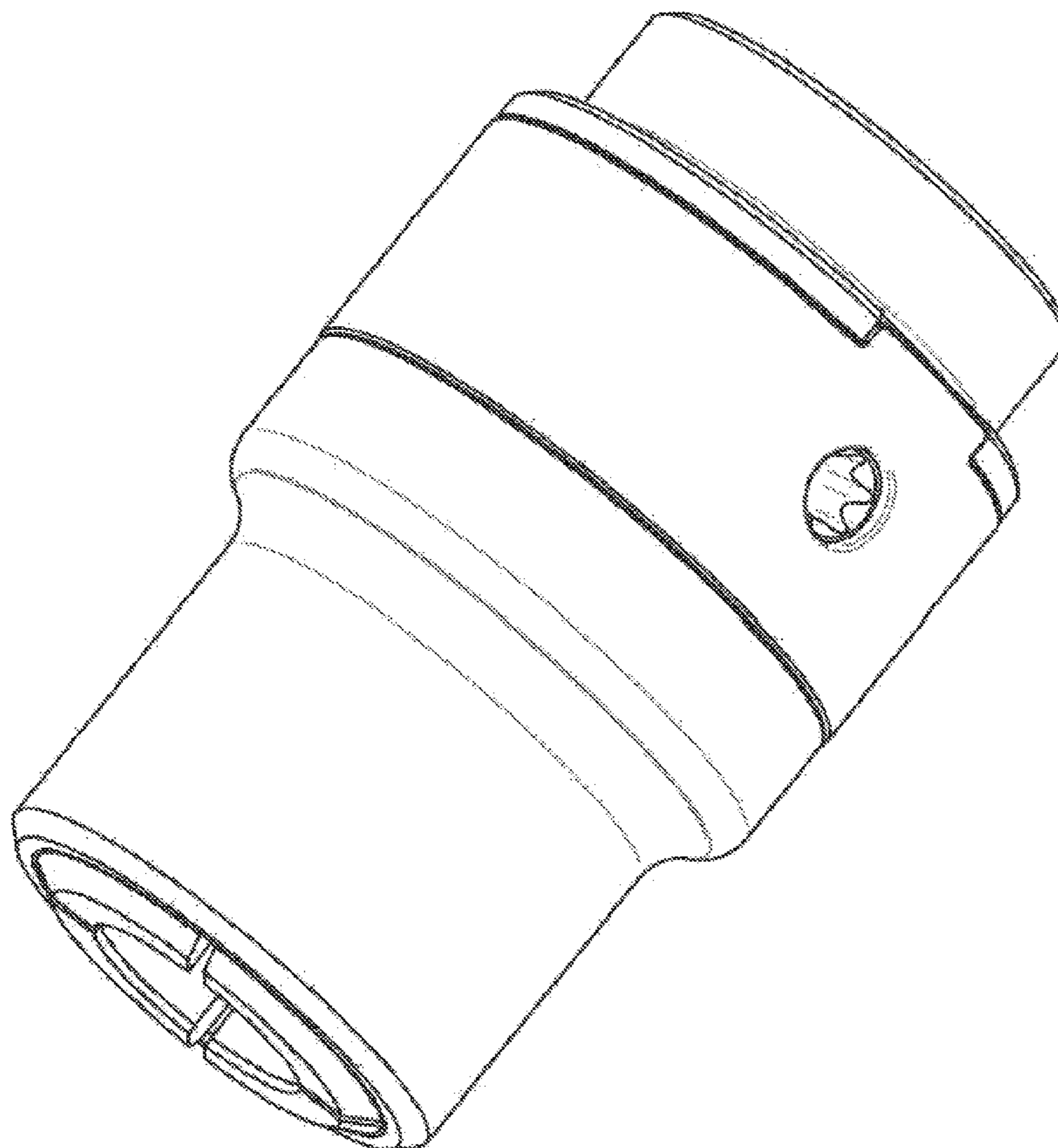
(57) **CLAIM**

The ornamental design for a four-jaw collet chuck, as shown and described.

**DESCRIPTION**

FIG. 1 is a perspective view from below of the invention;  
FIG. 2 is a front elevational view;  
FIG. 3 is a right-side elevational view, the left-side elevational view being a mirror image thereof;  
FIG. 4 is a back elevational view;  
FIG. 5 is a bottom view; and,  
FIG. 6 is a top view.

**1 Claim, 5 Drawing Sheets**



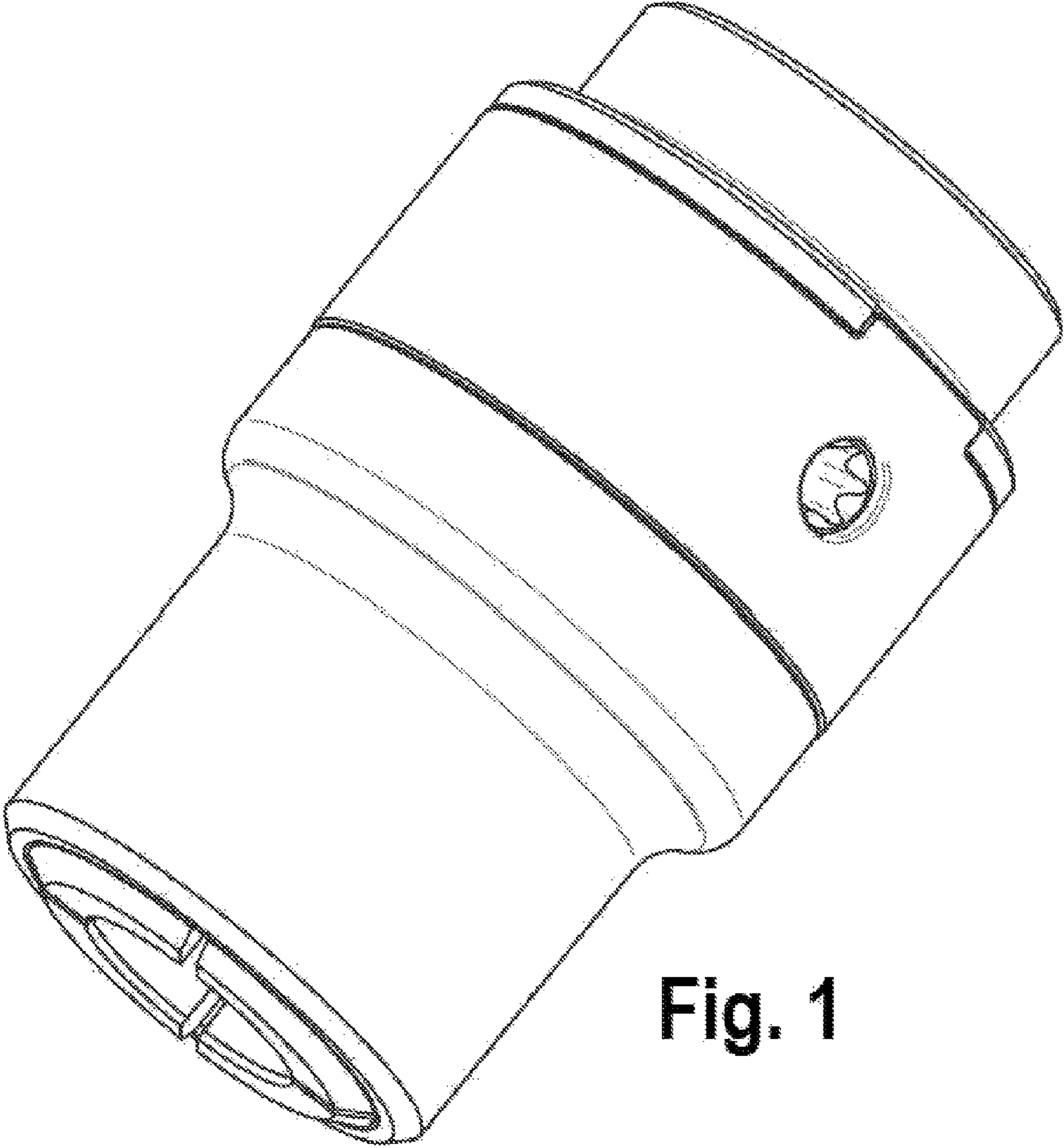
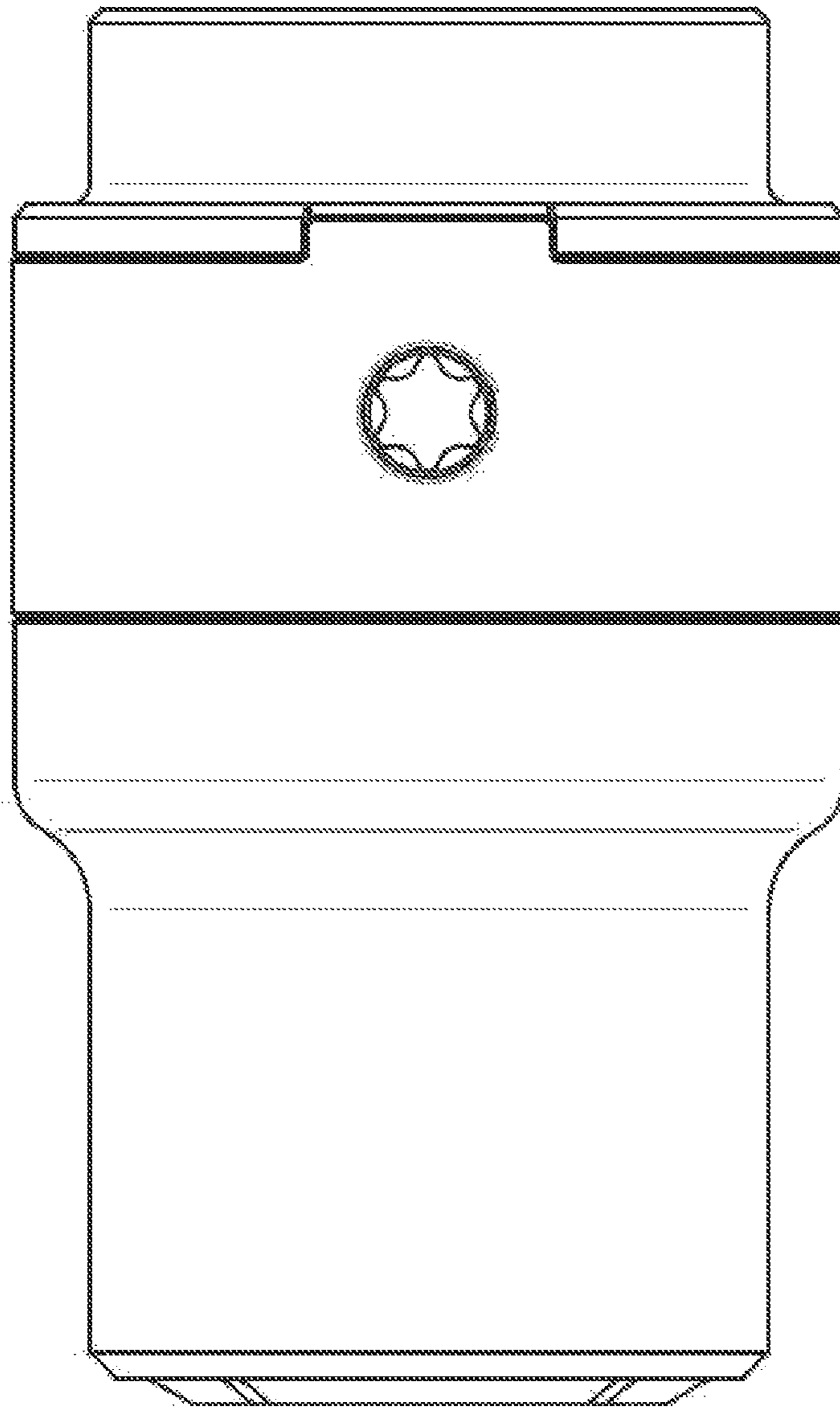


Fig. 1



**Fig. 2**

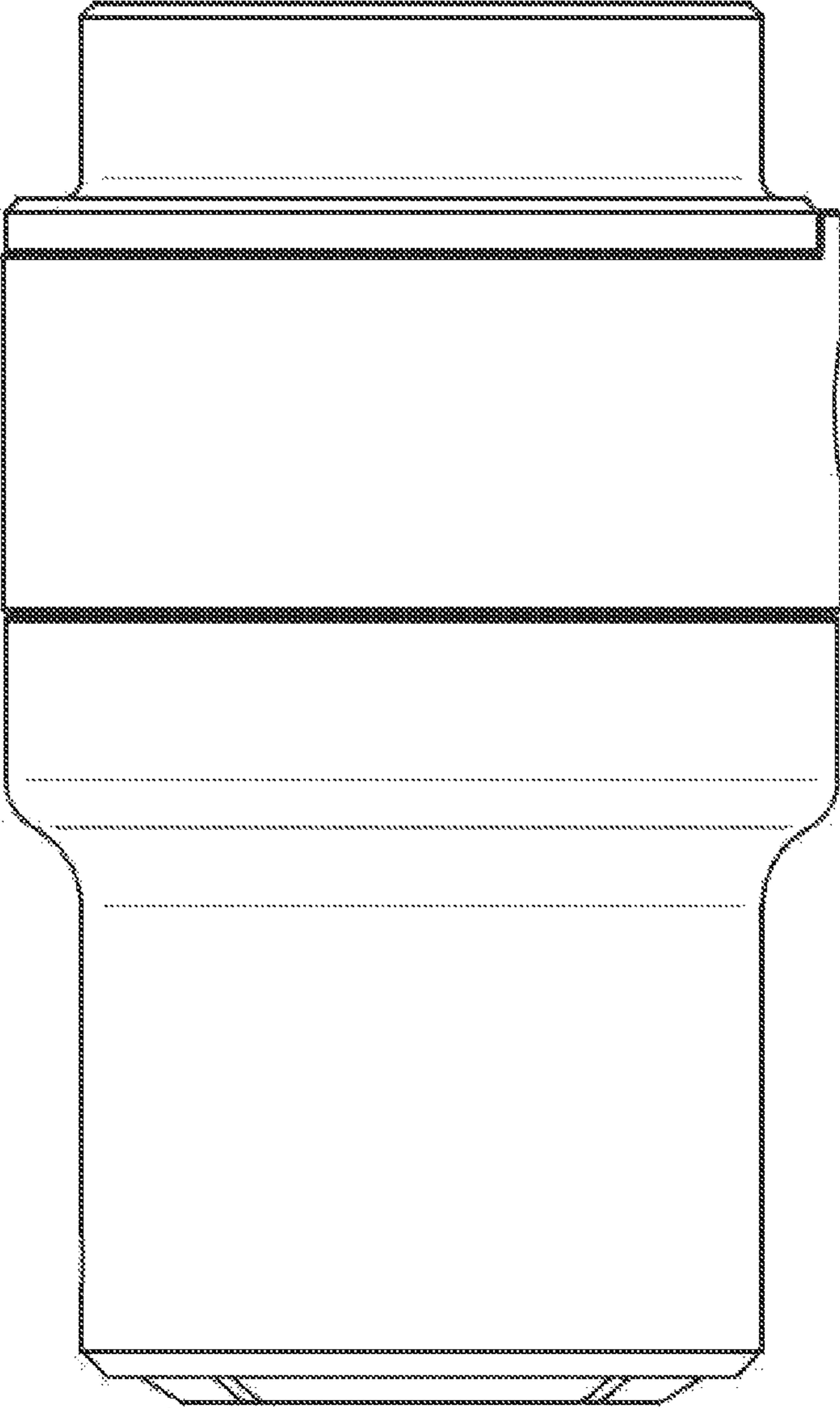
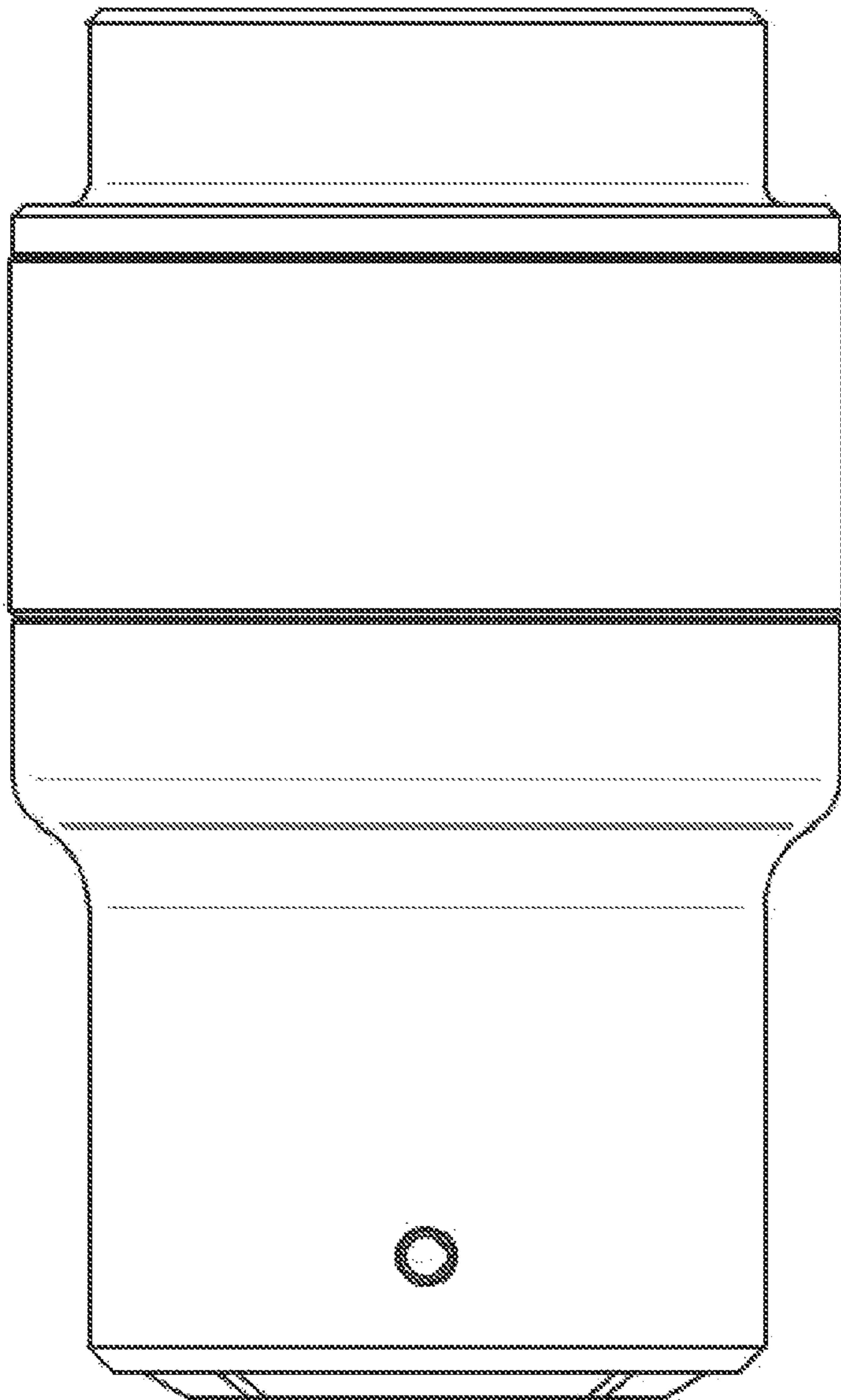
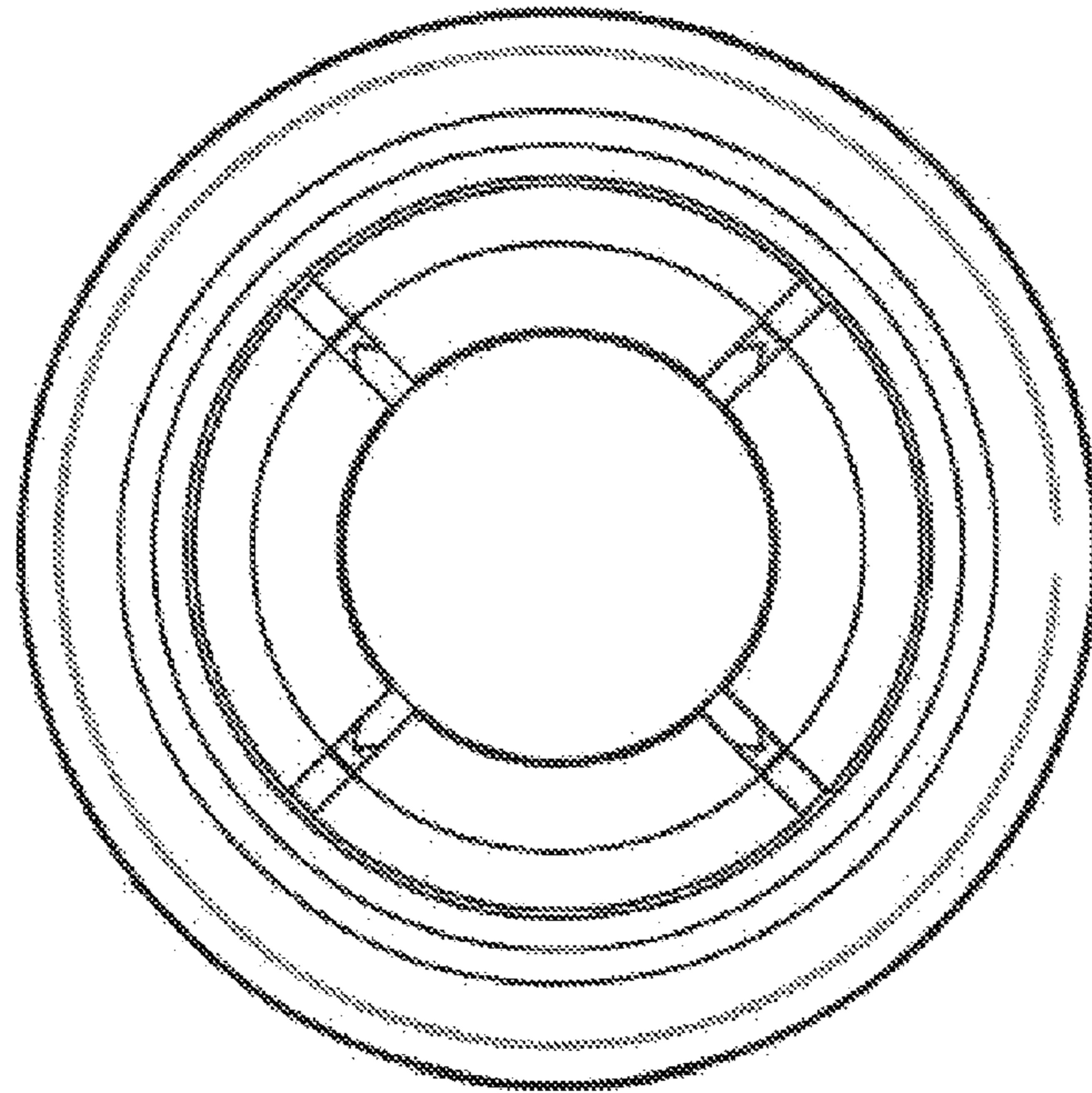


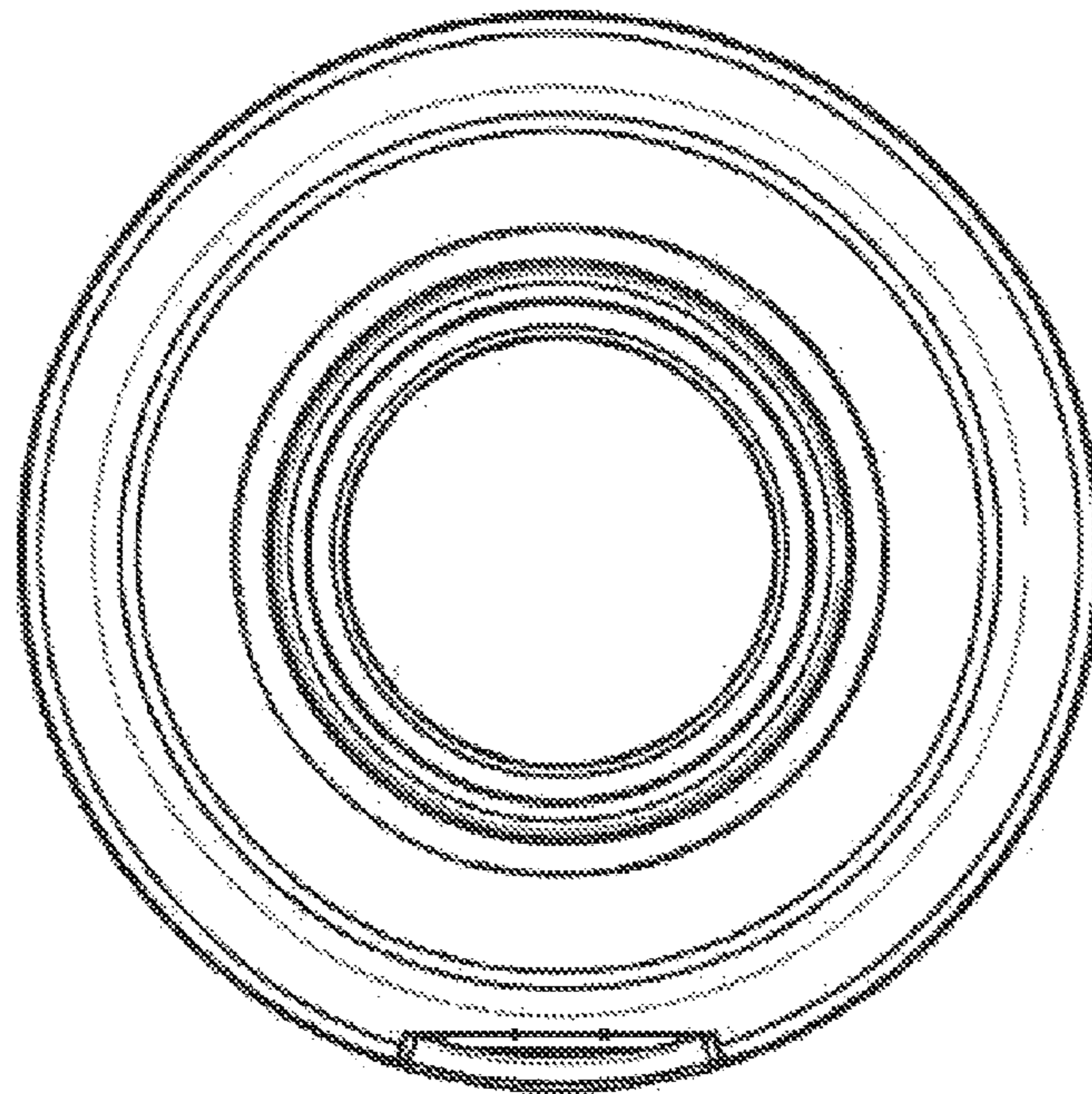
Fig. 3



**Fig. 4**



**Fig. 5**



**Fig. 6**