



US00D684830S

(12) **United States Design Patent**
Glynn et al.

(10) **Patent No.:** **US D684,830 S**

(45) **Date of Patent:** **** *Jun. 25, 2013**

(54) **CLAW HEAD FOR A DYNAMIC ENTRY TOOL**

(75) Inventors: **Kenneth P. Glynn**, Raritan Township, Hunterdon County, NJ (US); **John A. Dapkins, Jr.**, Bloomsbury, NJ (US); **Nicholas Klementowicz, III**, Hillsborough Township, Somerset County, NJ (US)

(73) Assignee: **Jersey Tactical Corp.**, Flemington, NJ (US)

(*) Notice: This patent is subject to a terminal disclaimer.

(**) Term: **14 Years**

(21) Appl. No.: **29/307,868**

(22) Filed: **May 16, 2008**

(51) **LOC (9) Cl.** **08-05**

(52) **U.S. Cl.**
USPC **D8/14**

(58) **Field of Classification Search**
USPC D8/14, 75, 76, 77, 81, 88, 89; 29/254; D22/117; 173/90; 254/25
See application file for complete search history.

(56) **References Cited**

U.S. PATENT DOCUMENTS

3,219,316 A * 11/1965 Fried 254/131
3,710,407 A * 1/1973 Reid 7/144

4,681,171 A * 7/1987 Kee et al. 173/90
D305,718 S * 1/1990 Ashcraft D8/14
5,067,237 A * 11/1991 Holder 30/1
5,177,850 A * 1/1993 Hull et al. 29/254
5,329,685 A * 7/1994 Gillespie 29/254
6,631,668 B1 * 10/2003 Wilson et al. 89/1.14
7,337,515 B2 * 3/2008 Phillips et al. 29/254
D570,655 S * 6/2008 Meagher et al. D8/14

* cited by examiner

Primary Examiner — Philip S Hyder

Assistant Examiner — Roselynn Cody

(74) *Attorney, Agent, or Firm* — Ernest D. Buff; Ernest D. Buff & Assoc. LLC

(57) **CLAIM**

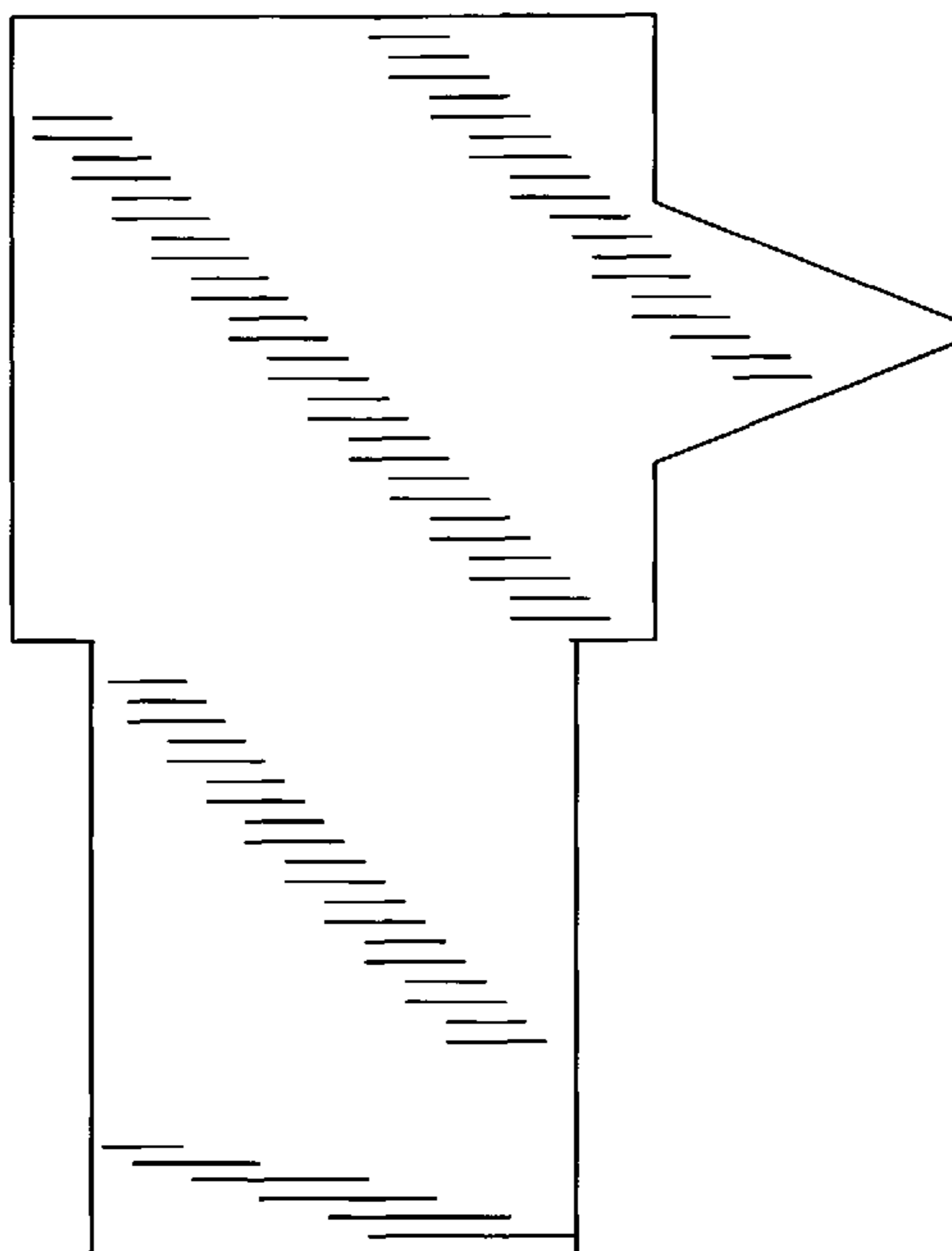
The ornamental design for a claw head for a dynamic entry tool, as shown and described.

DESCRIPTION

FIG. 1 is a front view of the present invention, claw head for a dynamic entry tool;
FIG. 2 is a rear view thereof;
FIG. 3 is a right side view thereof;
FIG. 4 is a left side view thereof; and,
FIG. 5 is a top view thereof.

The broken lines in a long dash-dot-long dash pattern FIGS. 2 and 4 illustrate boundaries within which no claim is made. Other broken lines within the boundary lines n FIGS. 2 and 4 illustrate features of the claw head for a dynamic entry tool that form no part of the claim.

1 Claim, 5 Drawing Sheets



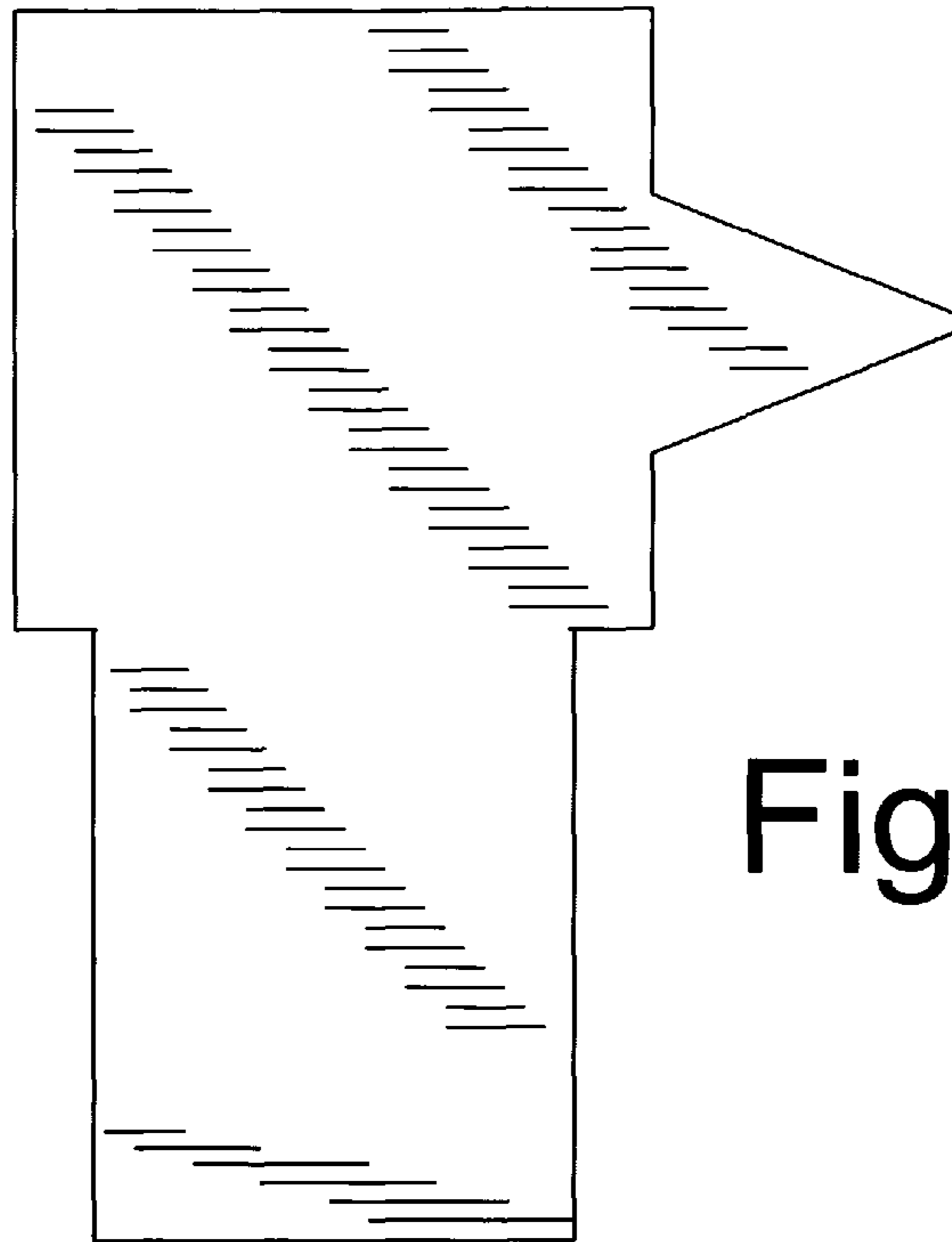


Figure 1

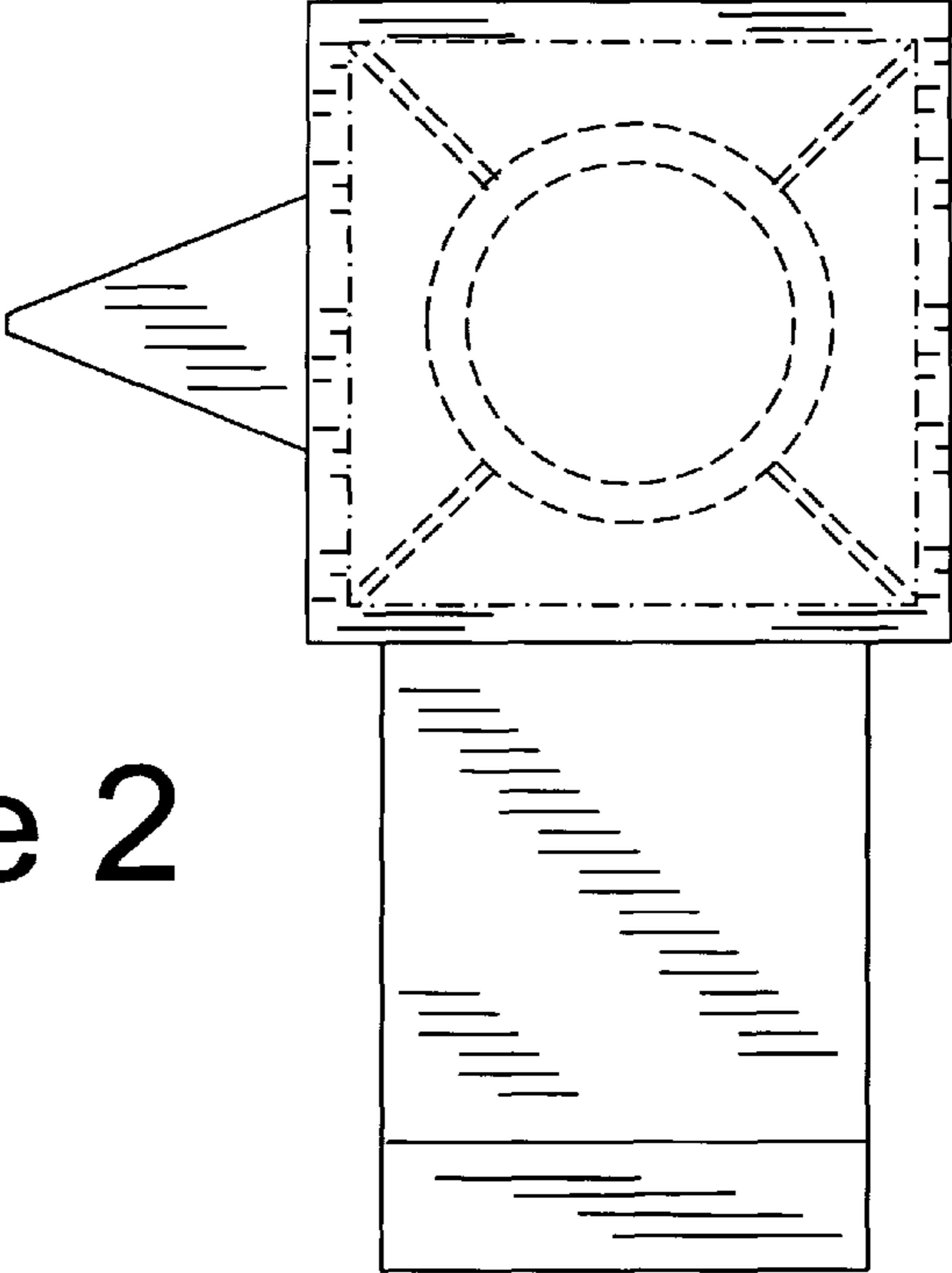


Figure 2

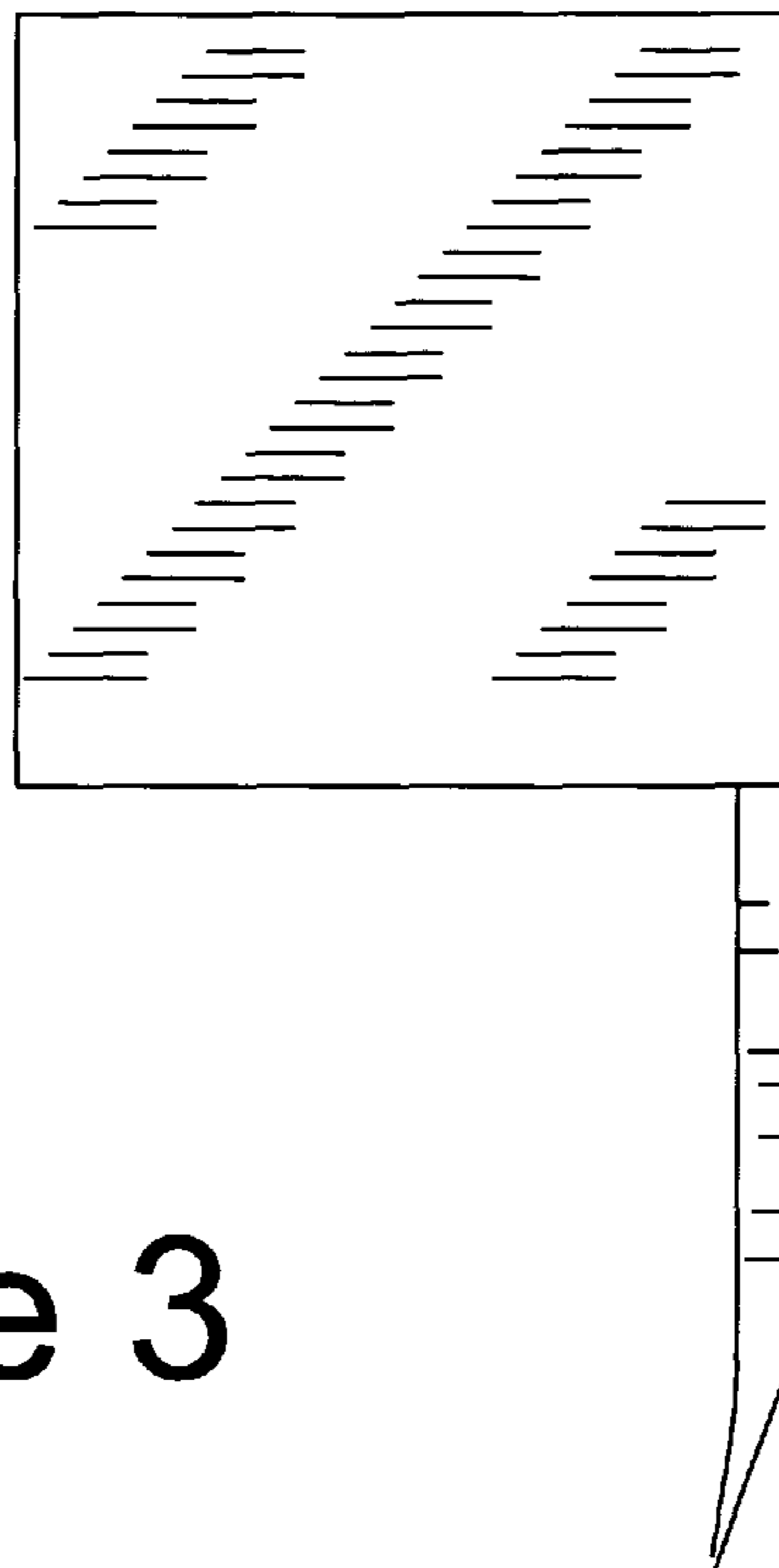


Figure 3

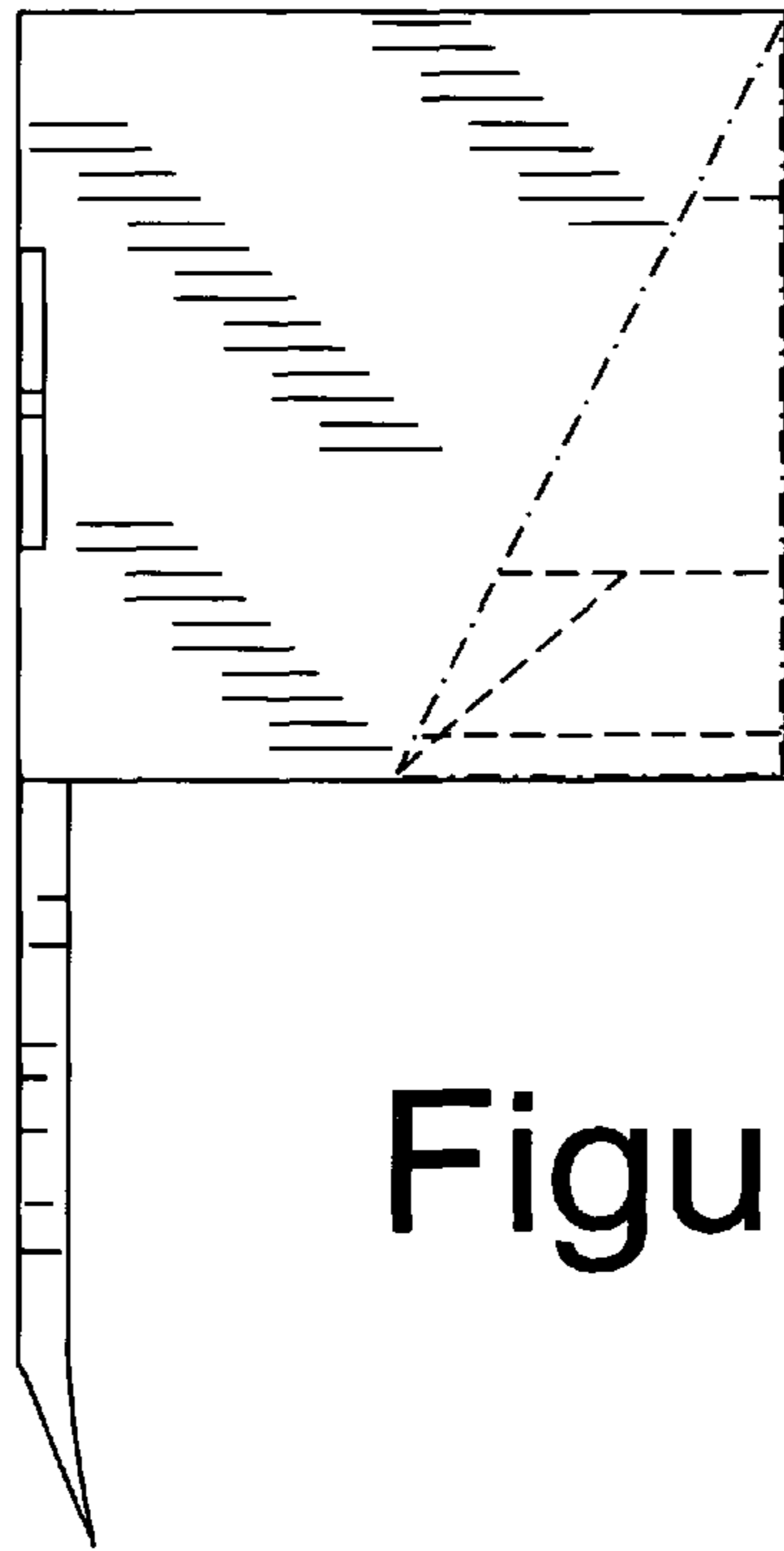


Figure 4

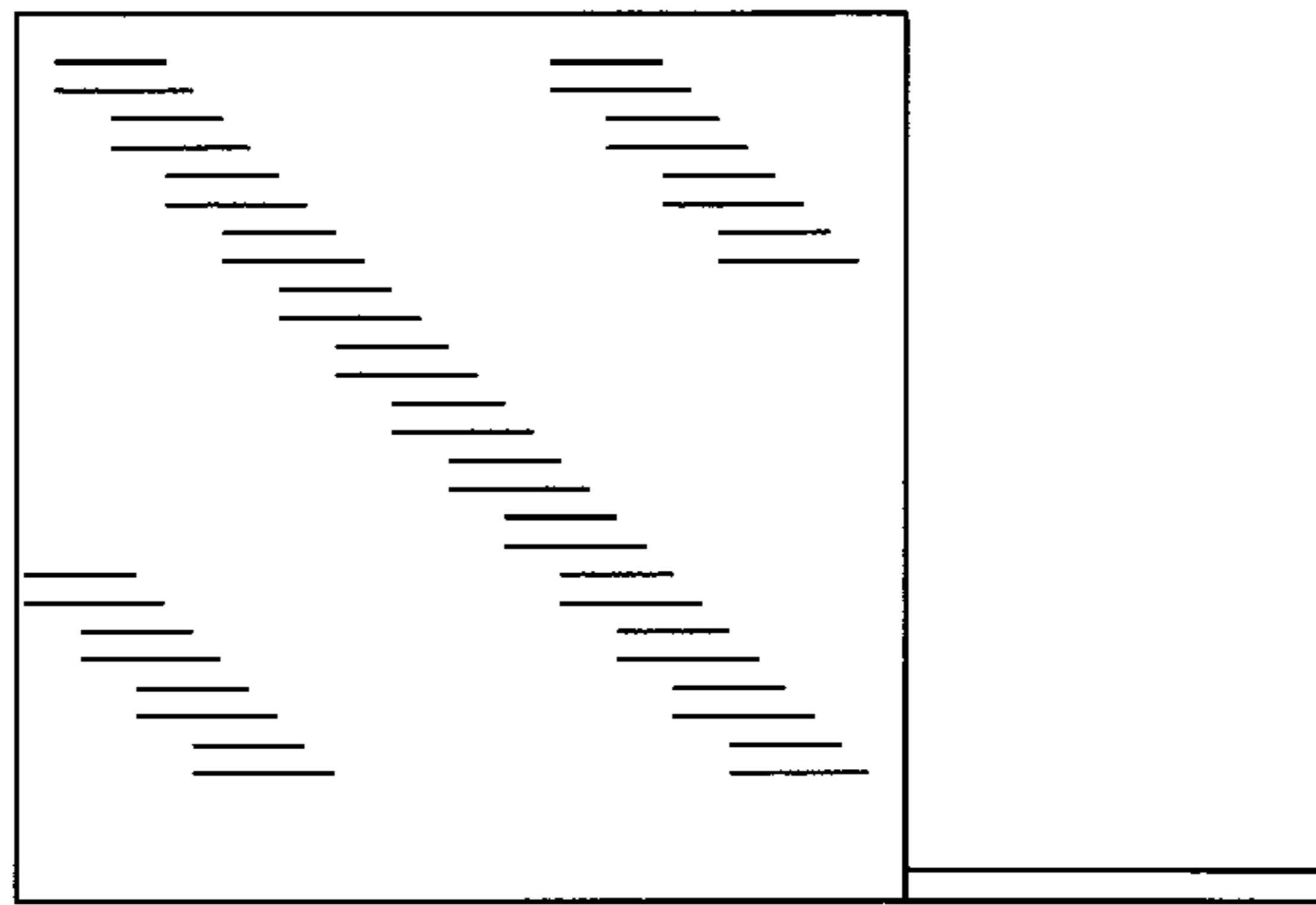


Figure 5