



US00D684826S

(12) **United States Design Patent**  
**Carter**

(10) **Patent No.:** **US D684,826 S**

(45) **Date of Patent:** **\*\* Jun. 25, 2013**

(54) **DRINK HOLDER**

(76) Inventor: **Kevin Carter**, Toronto (CA)

(\*\*) Term: **14 Years**

(21) Appl. No.: **29/432,079**

(22) Filed: **Sep. 13, 2012**

(51) **LOC (9) Cl.** ..... **07-06**

(52) **U.S. Cl.**  
USPC ..... **D7/625**

(58) **Field of Classification Search**  
USPC . D7/619.1-625, 603-608; D9/668; D29/113,  
D29/117, 123; 62/457.1-457.9; 215/12.1,  
215/12.2, 13.1; 220/737, 739, 902, 903, 592.17,  
220/592.24, 915.1, 915.2  
See application file for complete search history.

(56) **References Cited**

**U.S. PATENT DOCUMENTS**

D227,531 S *	7/1973	Berger	.....	D7/517
D284,806 S *	7/1986	Dzierson et al.	.....	D7/619.2
D329,175 S *	9/1992	Harber	.....	D7/620
D442,833 S *	5/2001	Shuman	.....	D7/608
D485,733 S *	1/2004	Stuart	.....	D7/625
D506,105 S *	6/2005	Cox	.....	D7/625
D513,937 S *	1/2006	Cox	.....	D7/606

D531,859 S *	11/2006	Bogumil et al.	.....	D7/625
D543,789 S *	6/2007	Gilley et al.	.....	D7/606
D602,745 S *	10/2009	Carter	.....	D7/606

\* cited by examiner

*Primary Examiner* — Terry Wallace

(74) *Attorney, Agent, or Firm* — Norton Rose Canada LLP

(57) **CLAIM**

The ornamental design for a drink holder, as shown and described.

**DESCRIPTION**

FIG. 1 is a front perspective view of the drink holder with a drink cup.

FIG. 2 is a front perspective view of the drink holder.

FIG. 3 is a bottom perspective view of the drink holder.

FIG. 4 is a right plan view of the drink holder.

FIG. 5 is a front elevational view of the drink holder.

FIG. 6 is a left plan view of the drink holder.

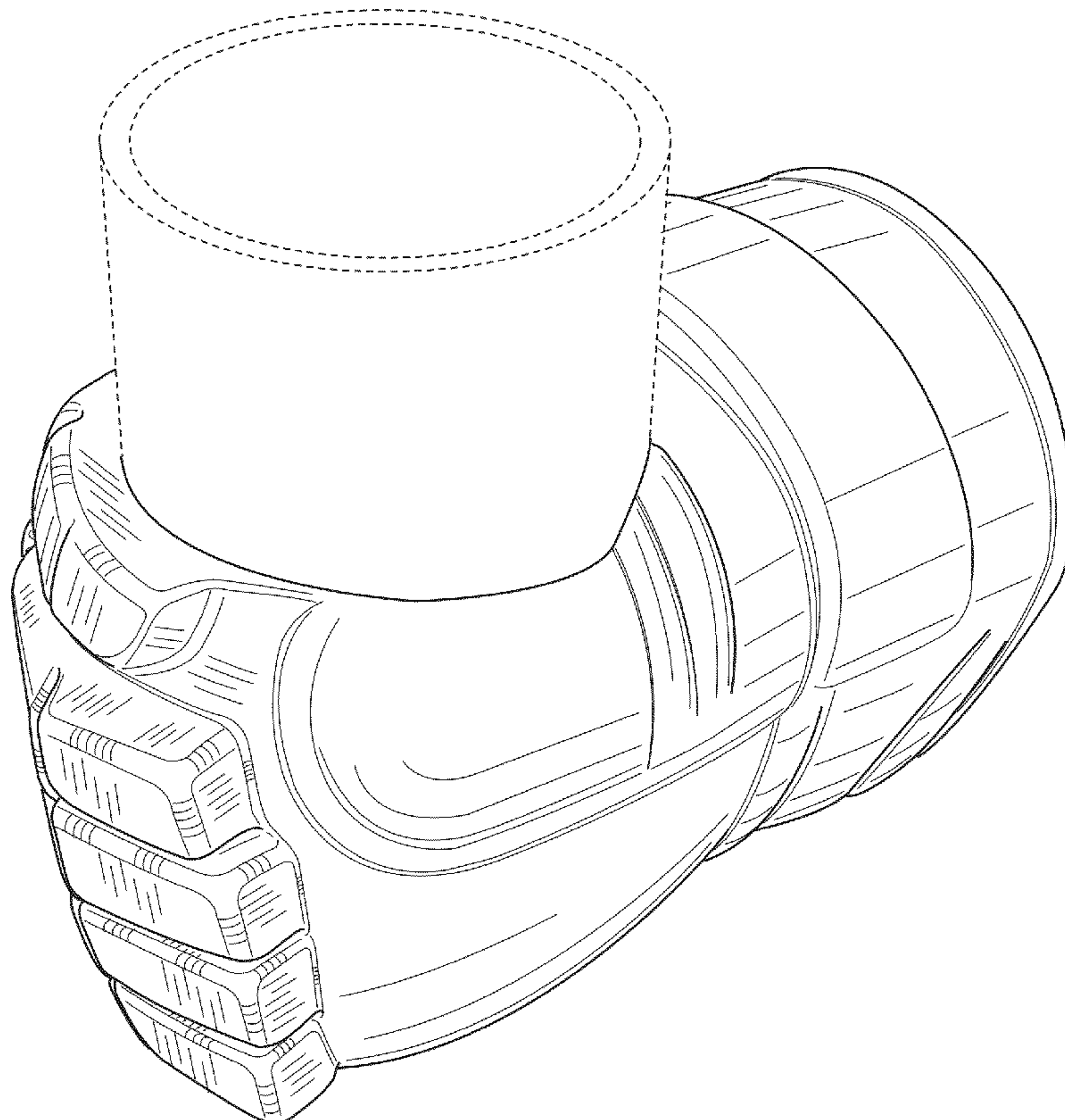
FIG. 7 is a back elevational view of the drink holder.

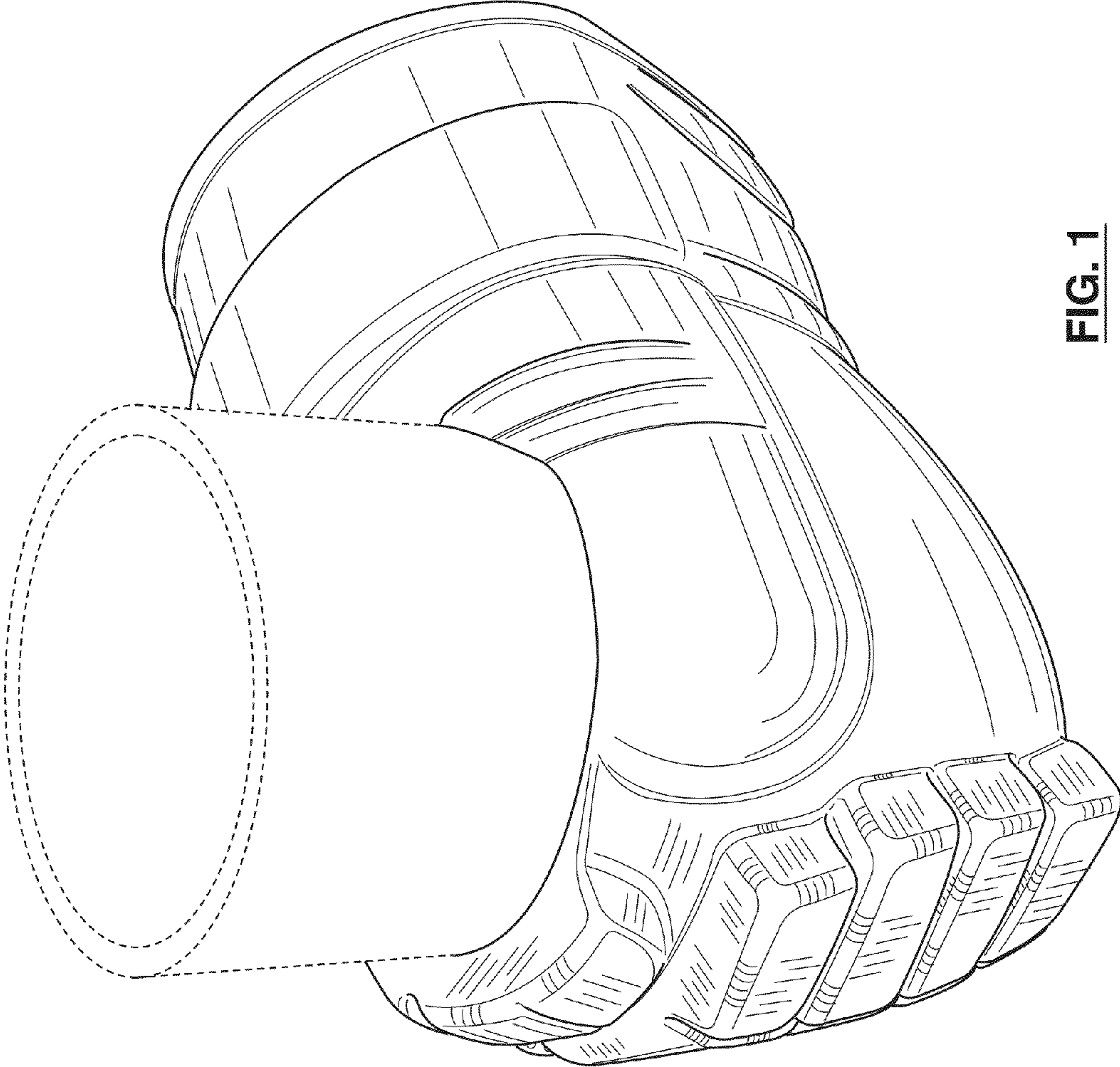
FIG. 8 is a top plan view of the drink holder; and,

FIG. 9 is a bottom plan view of the drink holder.

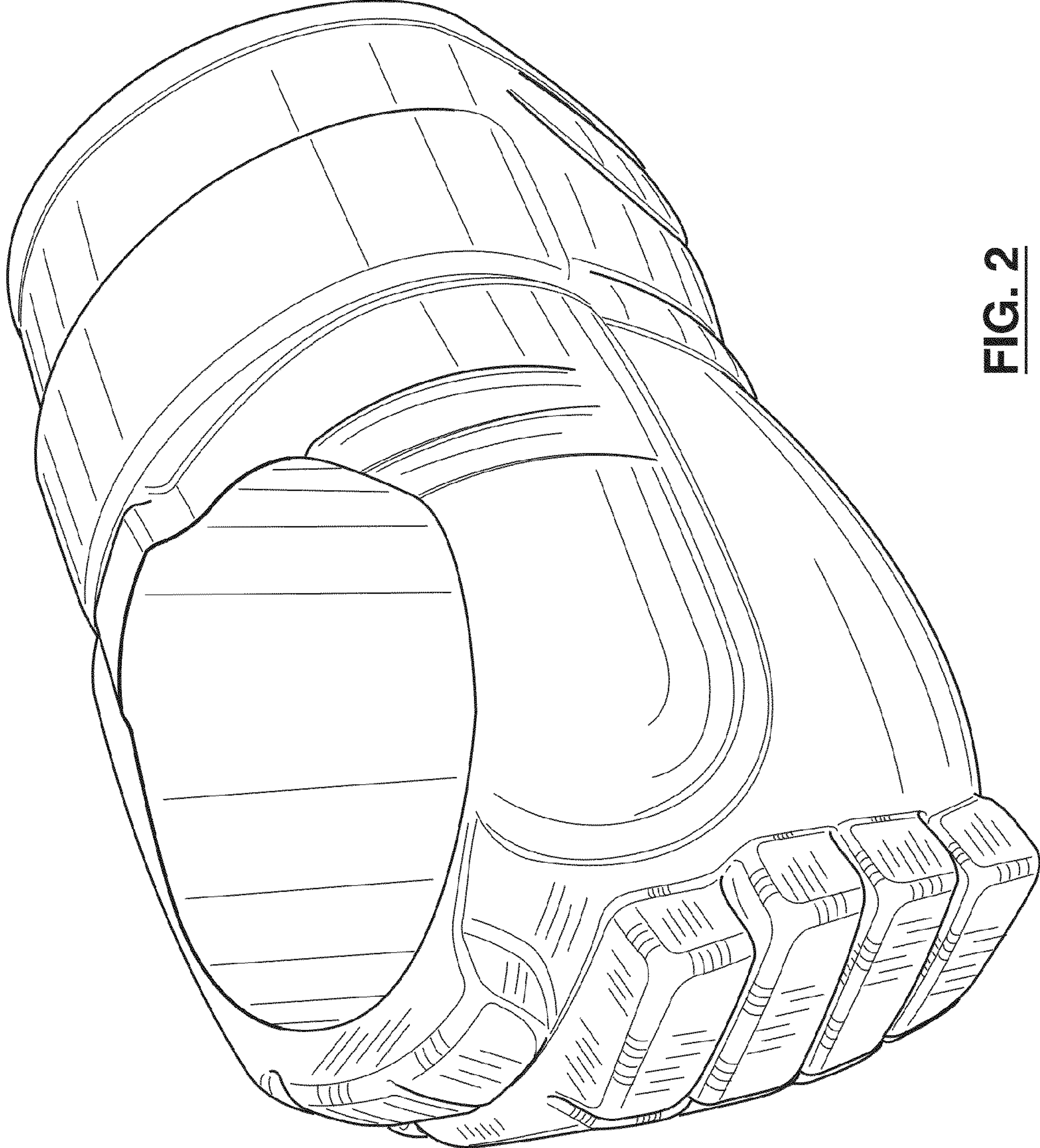
The broken lines are for illustrative purposes only and form no part of the claimed design.

**1 Claim, 8 Drawing Sheets**



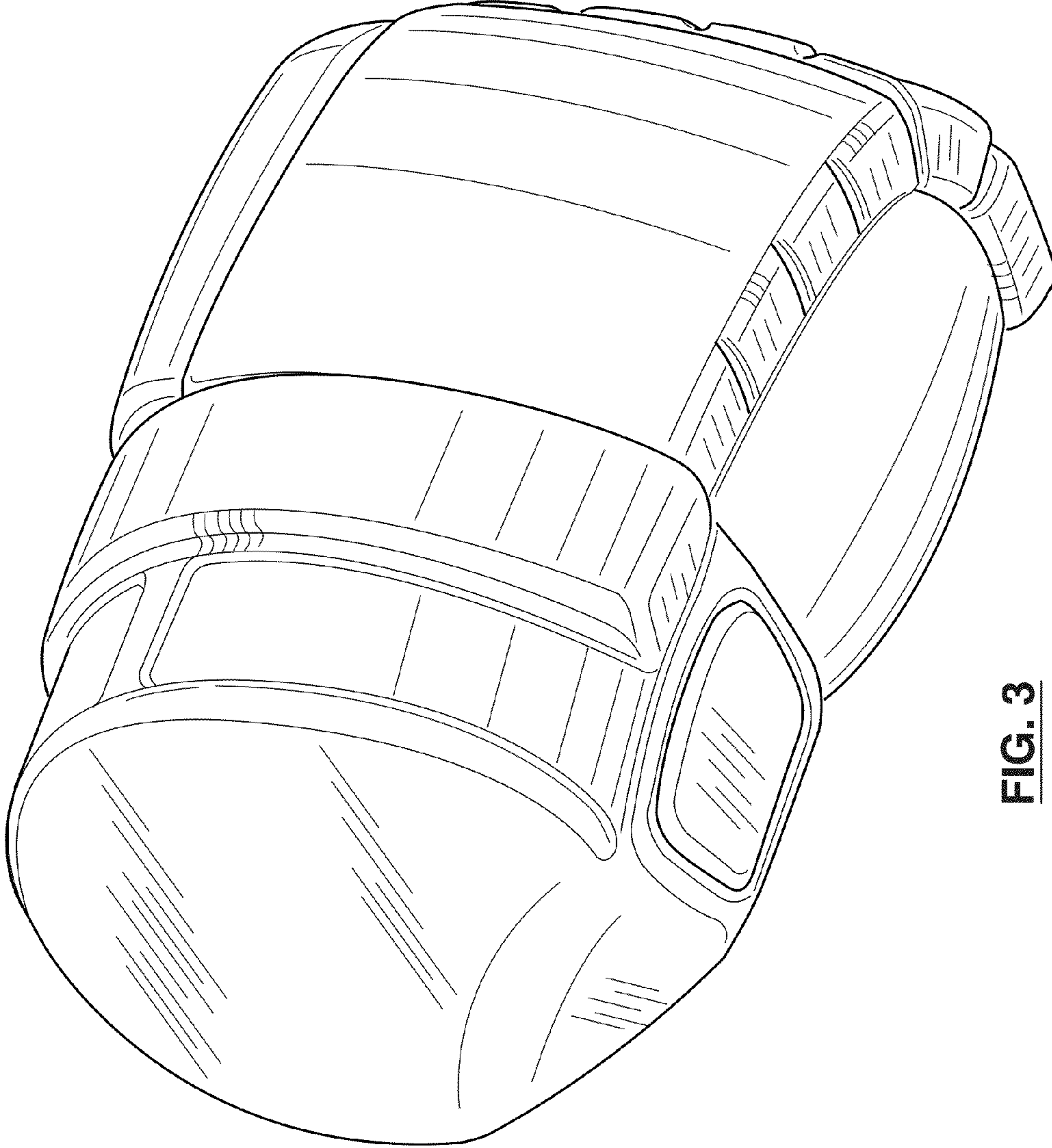


**FIG. 1**

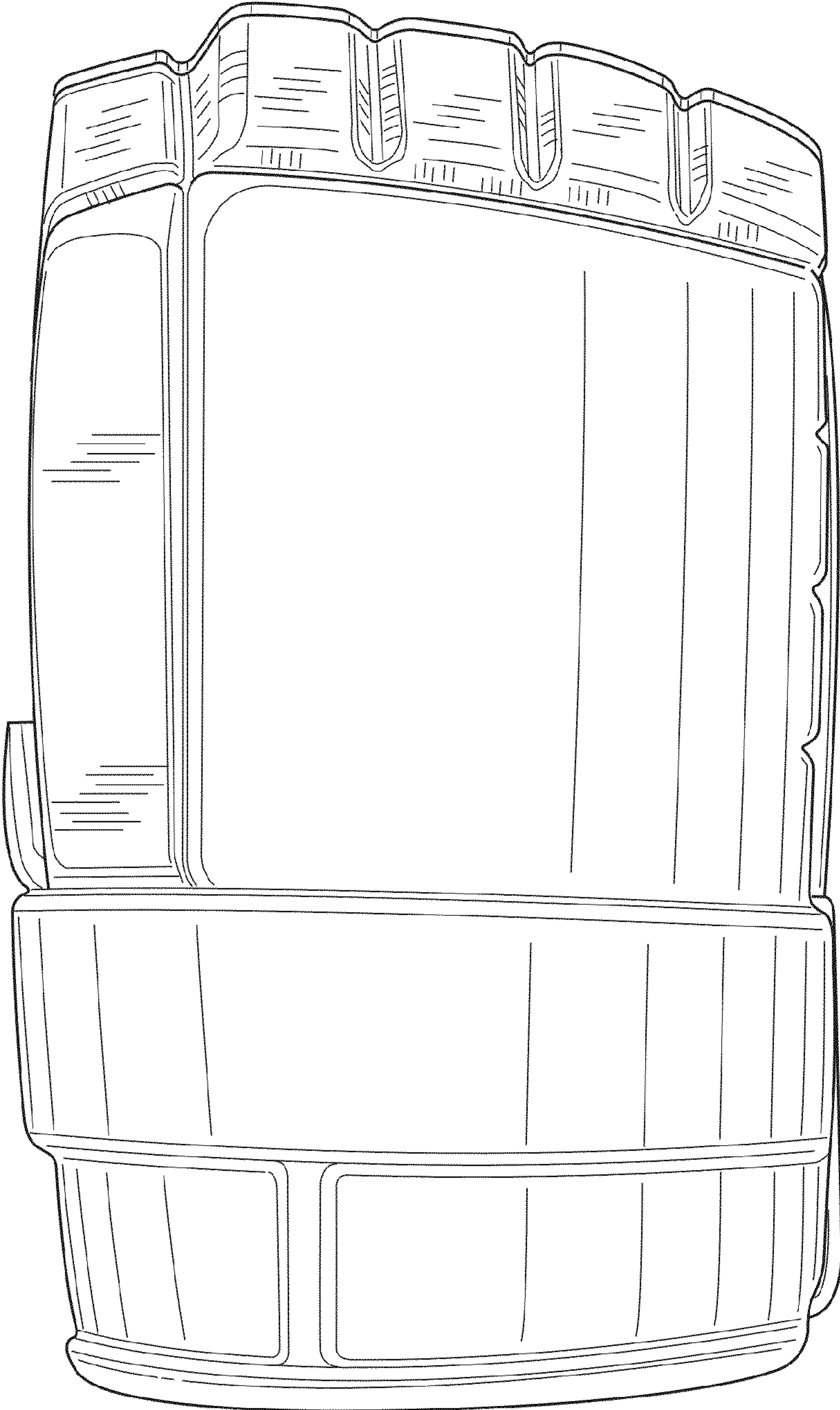


**FIG. 2**





**FIG. 3**



**FIG. 4**

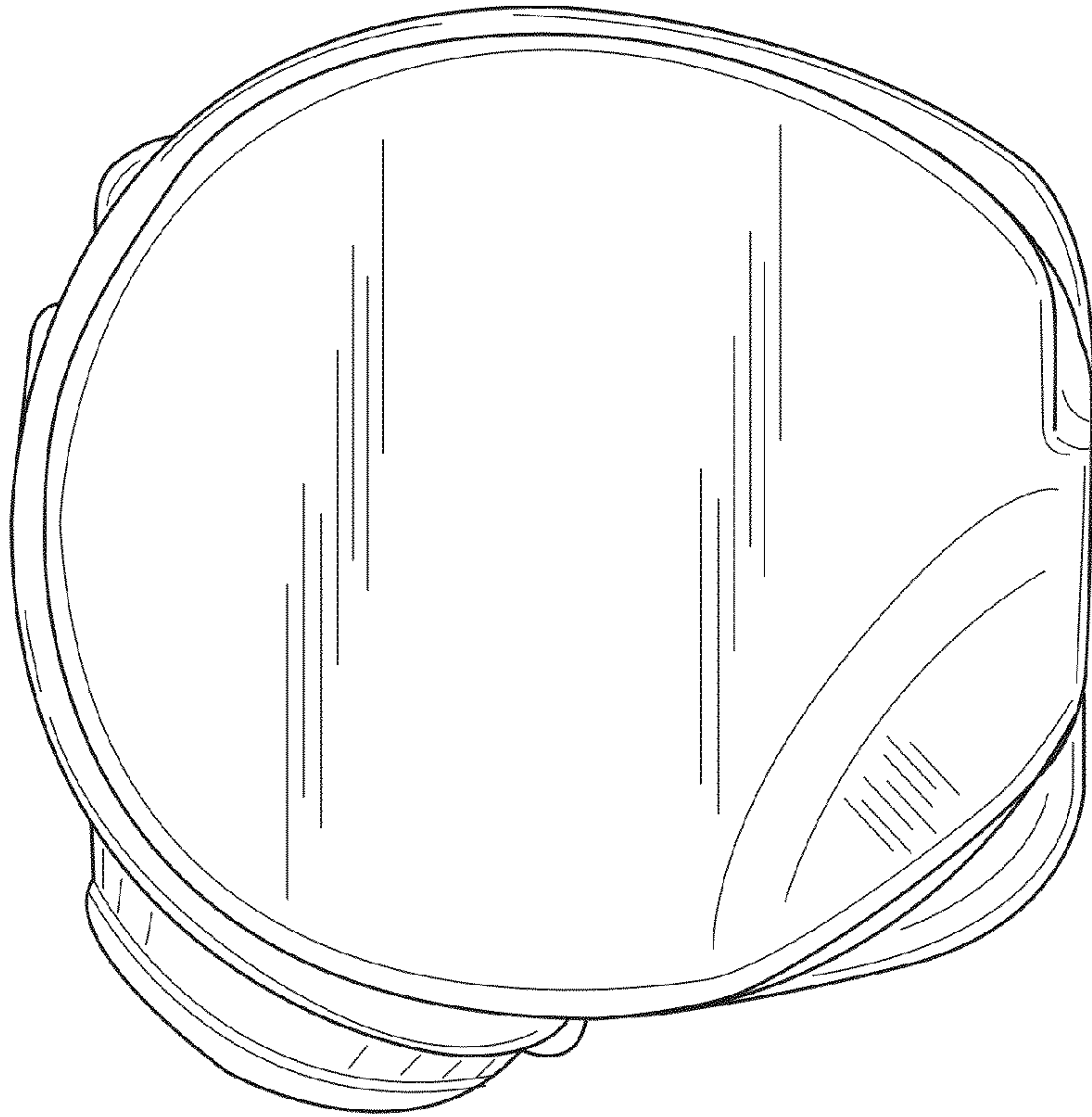


FIG. 7

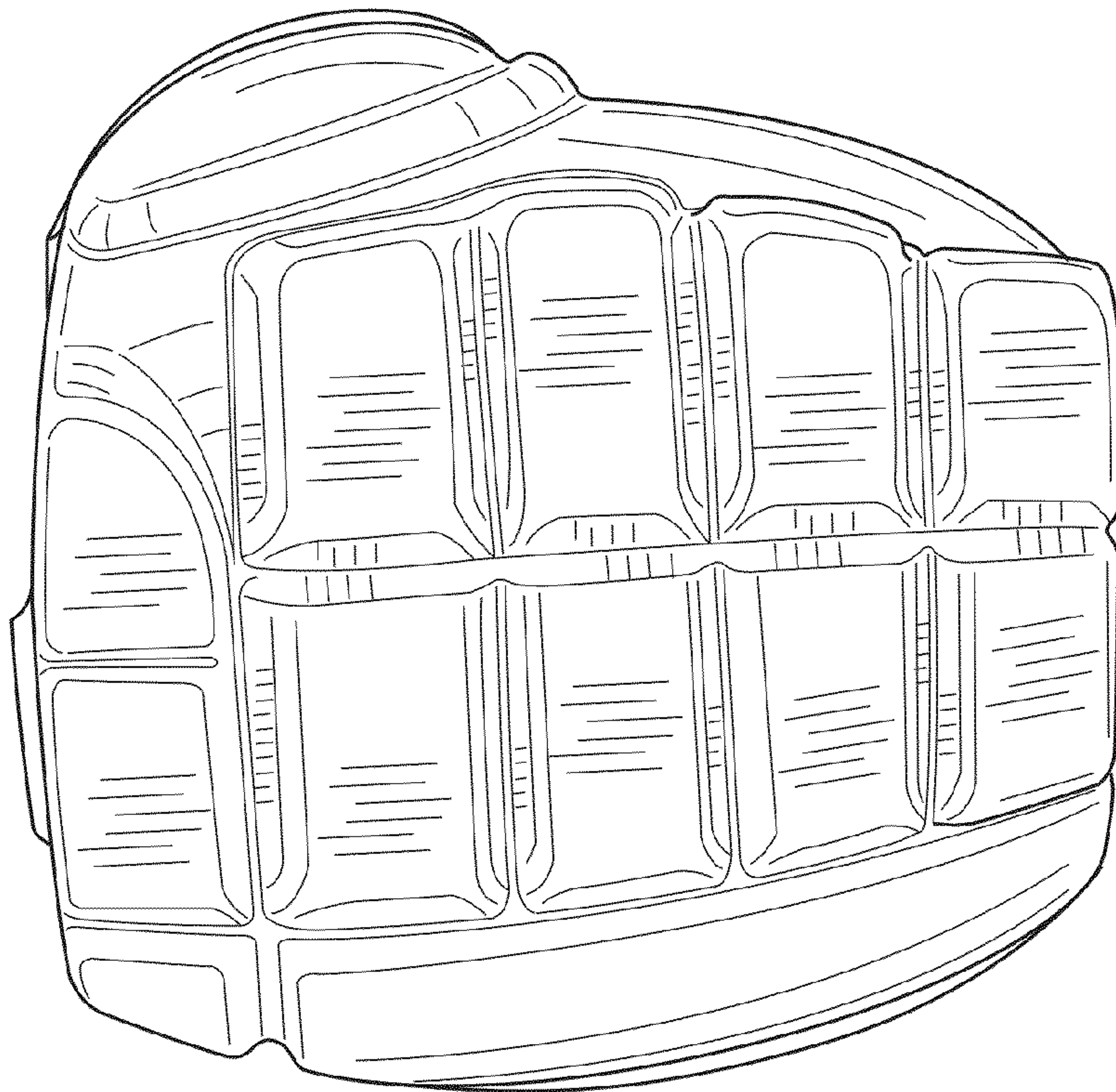
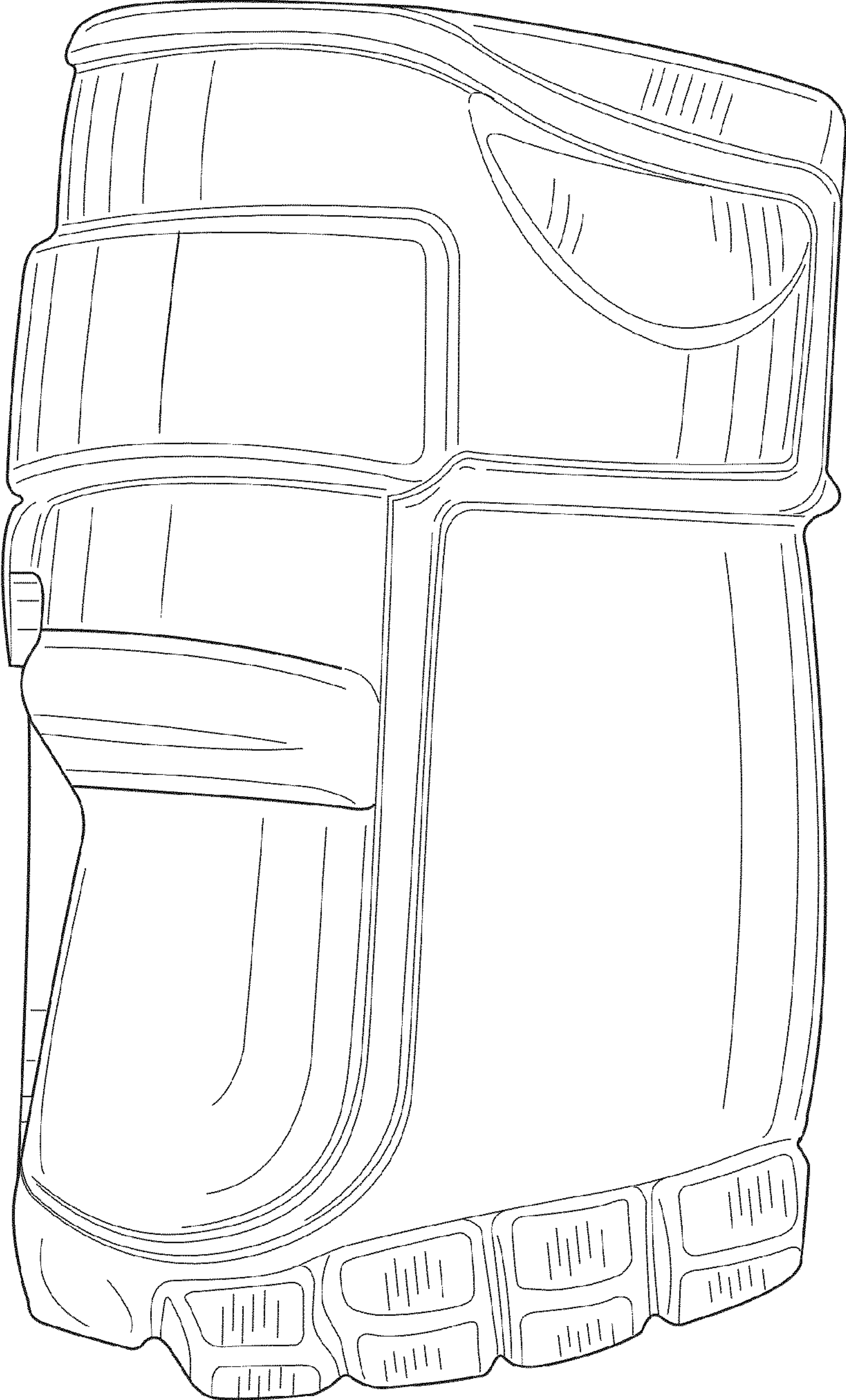
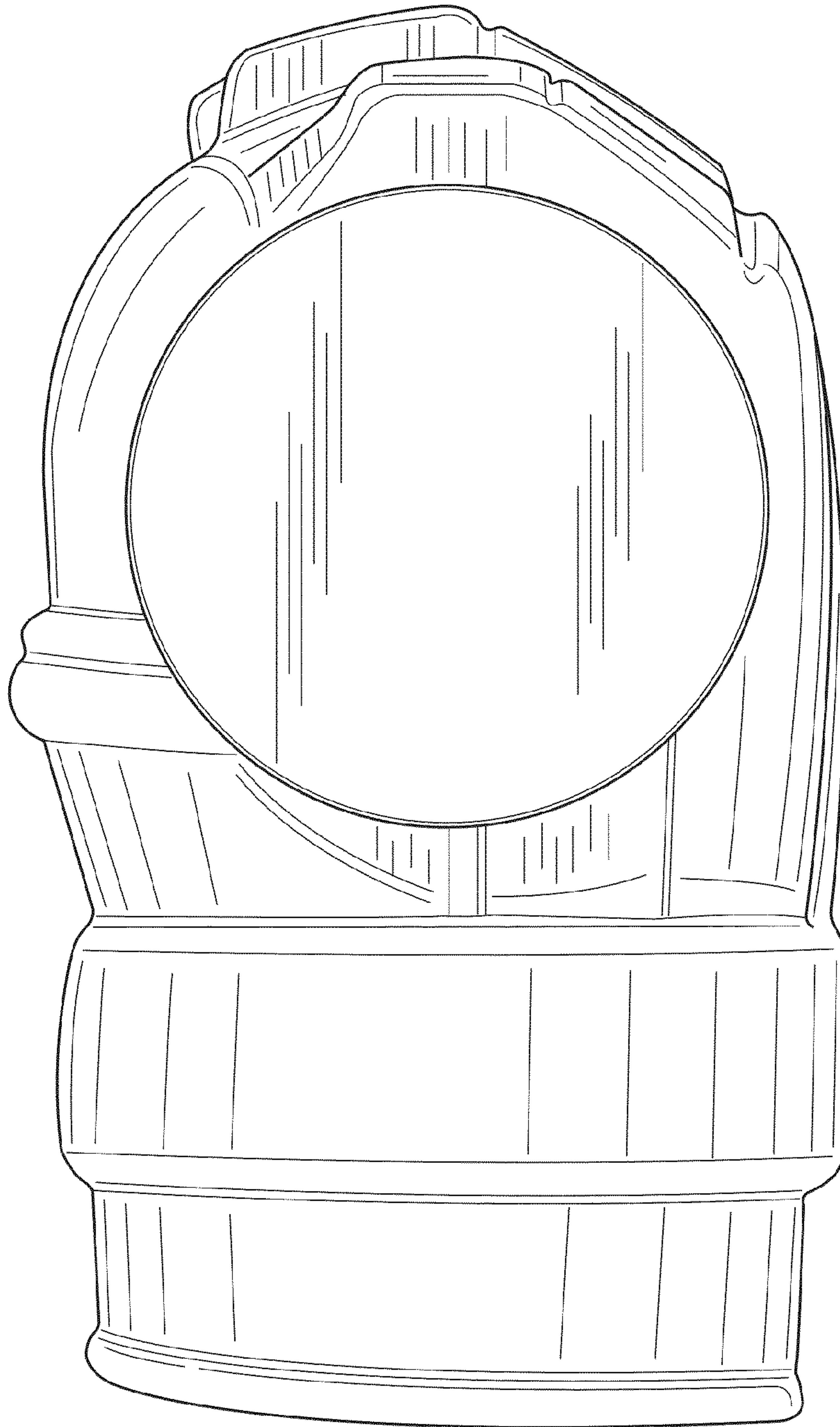


FIG. 5



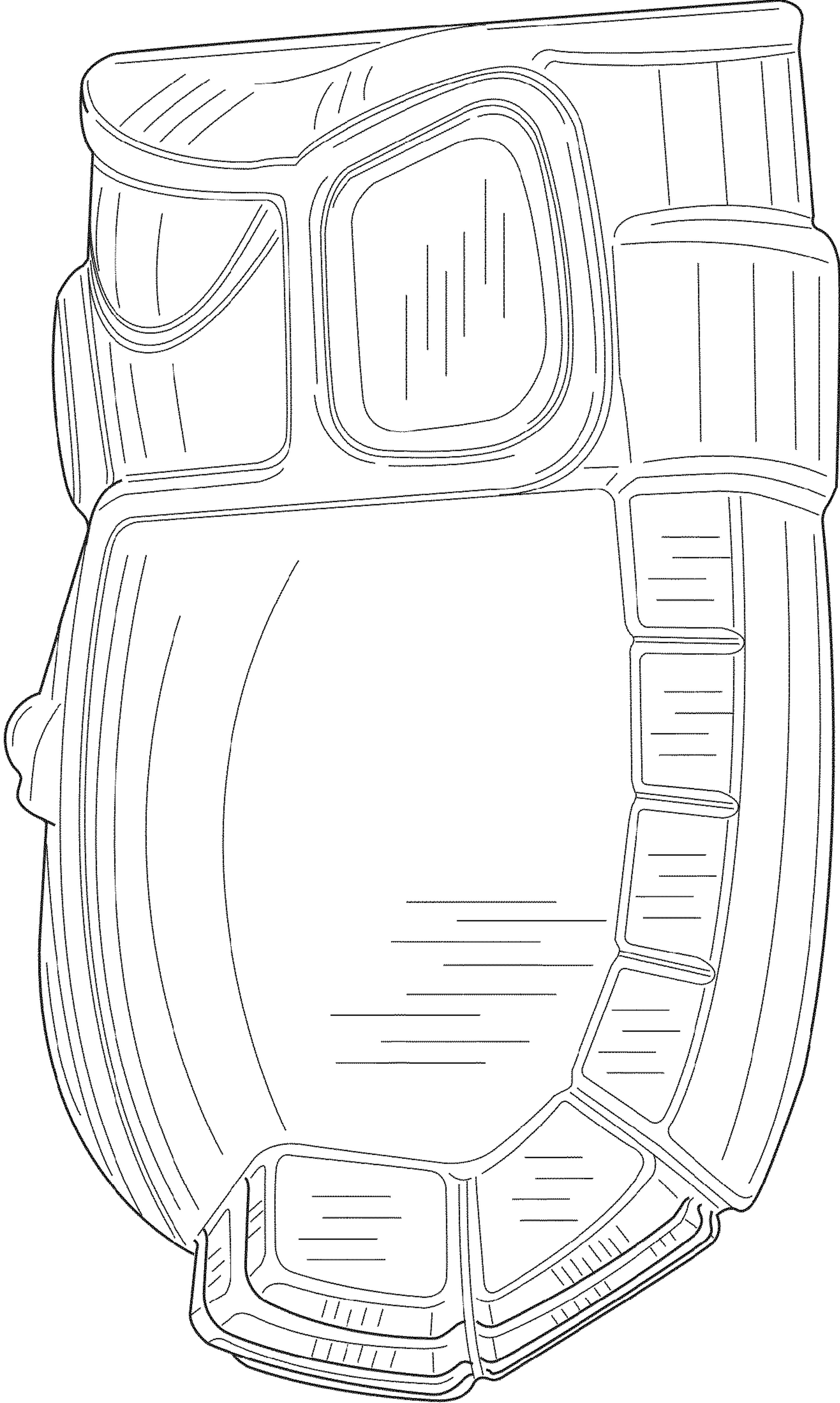


**FIG. 6**



**FIG. 8**





**FIG. 9**