



US00D684823S

(12) **United States Design Patent**
Buchanan et al.

(10) **Patent No.:** **US D684,823 S**
(45) **Date of Patent:** **** Jun. 25, 2013**

- (54) **CARRYING BASE FOR CONTAINERS FOR SALAD DRESSING AND THE LIKE**
- (76) Inventors: **Abi E. Buchanan**, Bryn Mawr, PA (US);
Douglas C. Mills, Bryn Mawr, PA (US)
- (**) Term: **14 Years**
- (21) Appl. No.: **29/409,202**
- (22) Filed: **Dec. 21, 2011**
- (51) **LOC (9) Cl.** **07-06**
- (52) **U.S. Cl.**
USPC **D7/600.1; D7/401.1**
- (58) **Field of Classification Search**
USPC **D7/600.1-600.4, 401.1, 592, 600,**
D7/550.1-554.4; D3/304, 315; 211/71.01,
211/74, 13.1
See application file for complete search history.

- D346,093 S * 4/1994 Holson D7/600
- D378,974 S * 4/1997 Joergensen D7/505
- D426,469 S 6/2000 Mankowski et al.
- D447,916 S * 9/2001 Bodum D7/600
- D569,165 S 5/2008 Stewart

* cited by examiner

Primary Examiner — Terry Wallace

(74) *Attorney, Agent, or Firm* — Montgomery Patent & Design; Robert C. Montgomery

(57) **CLAIM**

The ornamental design for a carrying base for containers for salad dressing and the like, as shown and described.

DESCRIPTION

FIG. 1 is a perspective view of a carrying case for containers for salad dressing and the like depicting use with a pair of containers for salad dressing and the like, showing our new design;

FIG. 2 is a perspective view of the carrying case for containers for salad dressing and the like;

FIG. 3 is a front view thereof with a rear view, a left side view, and a right side view being mirror images;

FIG. 4 is a top view thereof; and,

FIG. 5 is a bottom view thereof.

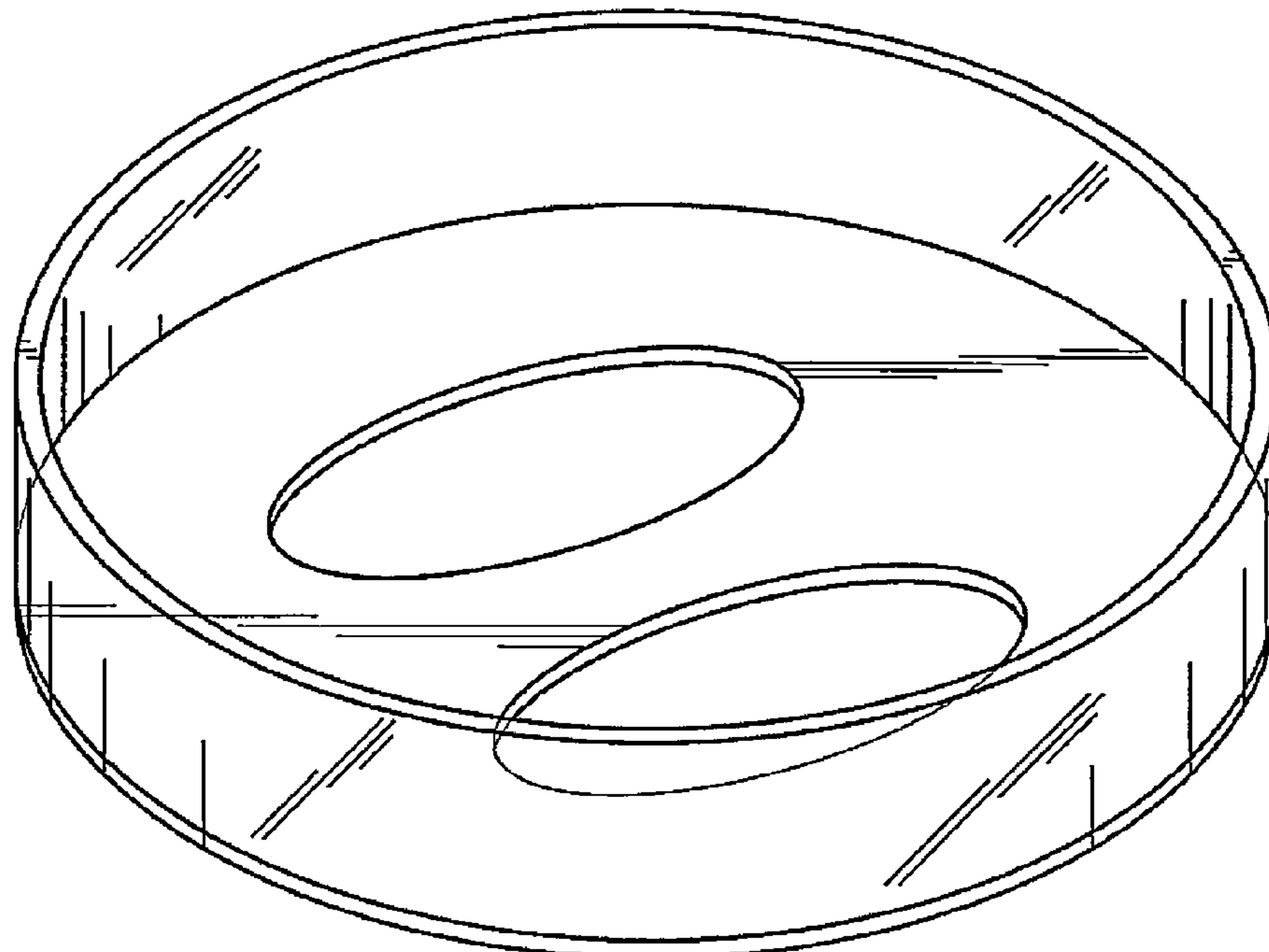
The broken lines are for illustrative purposes only and form no part of the claimed design.

1 Claim, 5 Drawing Sheets

(56) **References Cited**

U.S. PATENT DOCUMENTS

- D68,852 S 11/1925 Fisher
- D117,062 S 10/1939 Flexon
- D172,850 S 8/1954 Van Koert
- D208,567 S 9/1967 Mitchell
- D214,333 S * 6/1969 Swett D7/600
- D229,657 S 12/1973 Cyren
- D233,583 S * 11/1974 Salviato D7/592
- D259,091 S 5/1981 Plummer
- D328,407 S * 8/1992 Minuti D7/592
- D329,171 S * 9/1992 Minuti D7/592



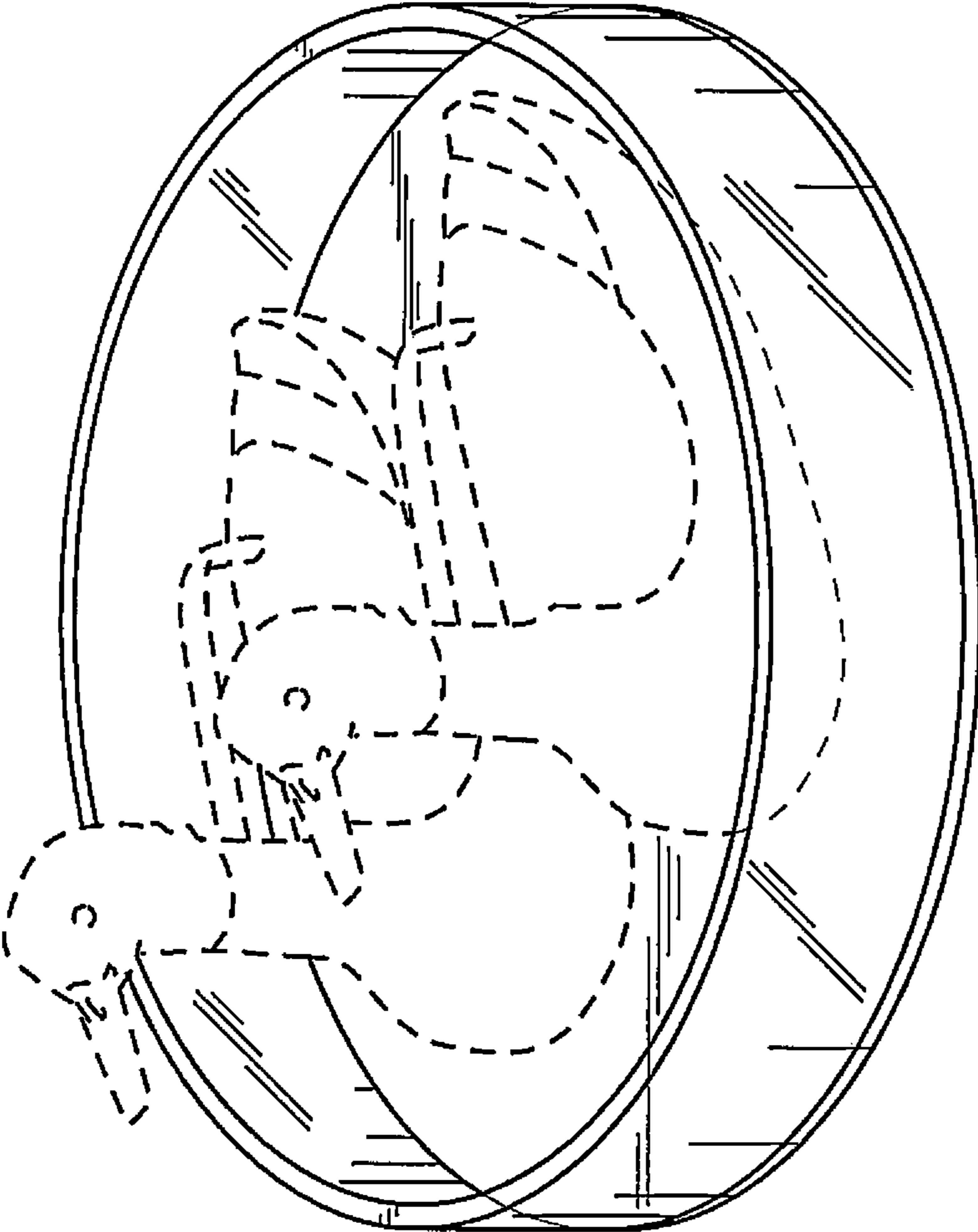


Fig. 1

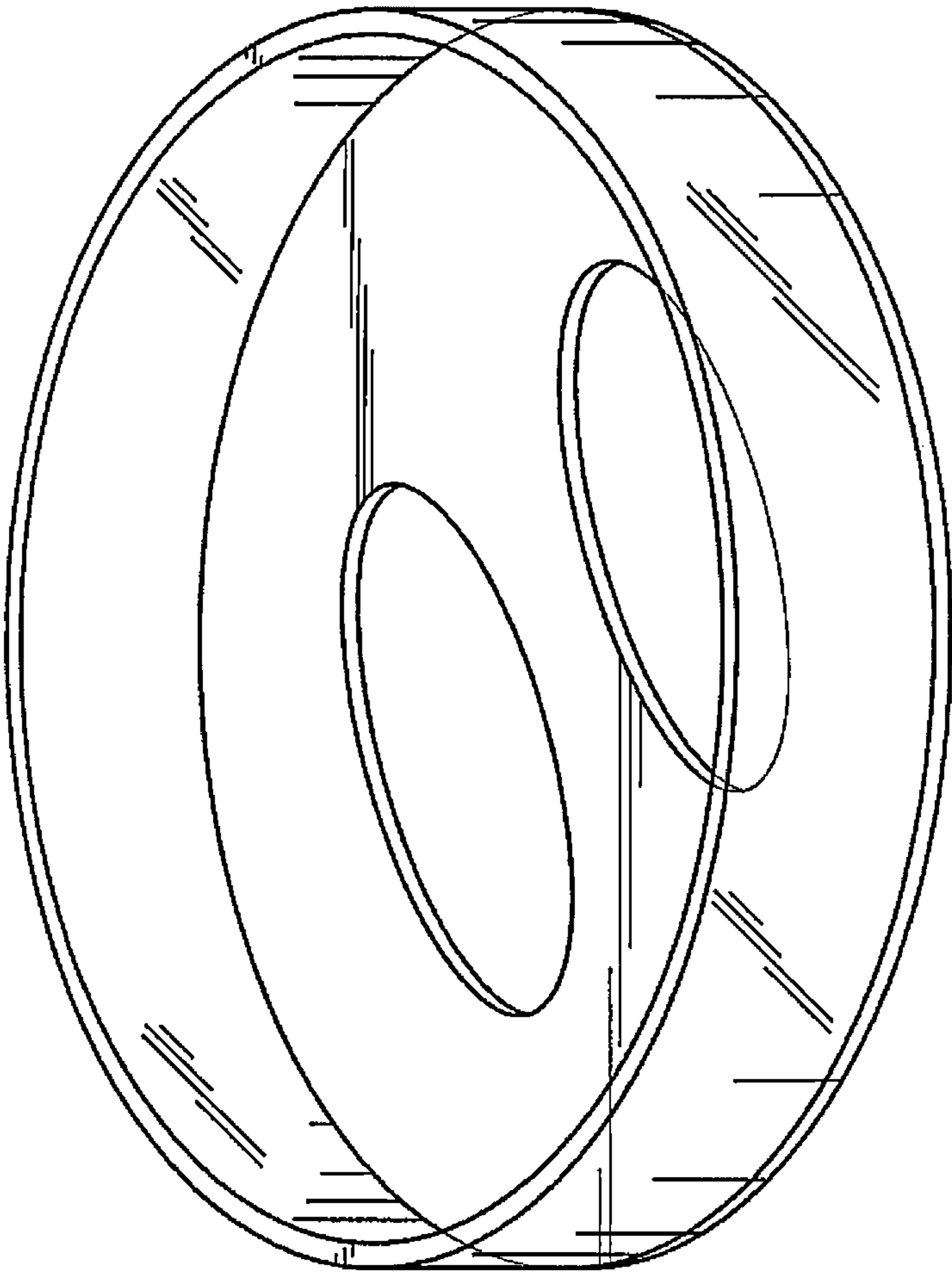


Fig. 2

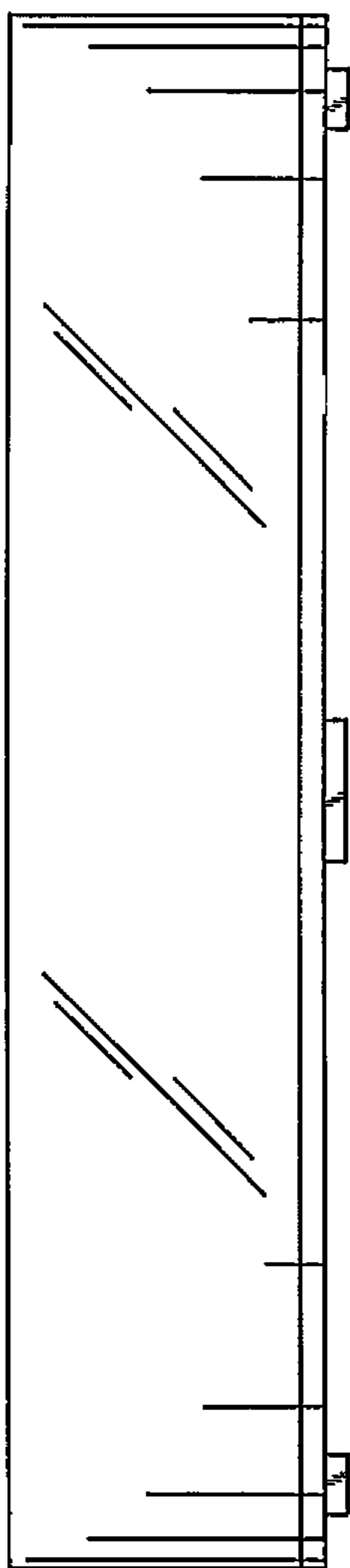


Fig. 3

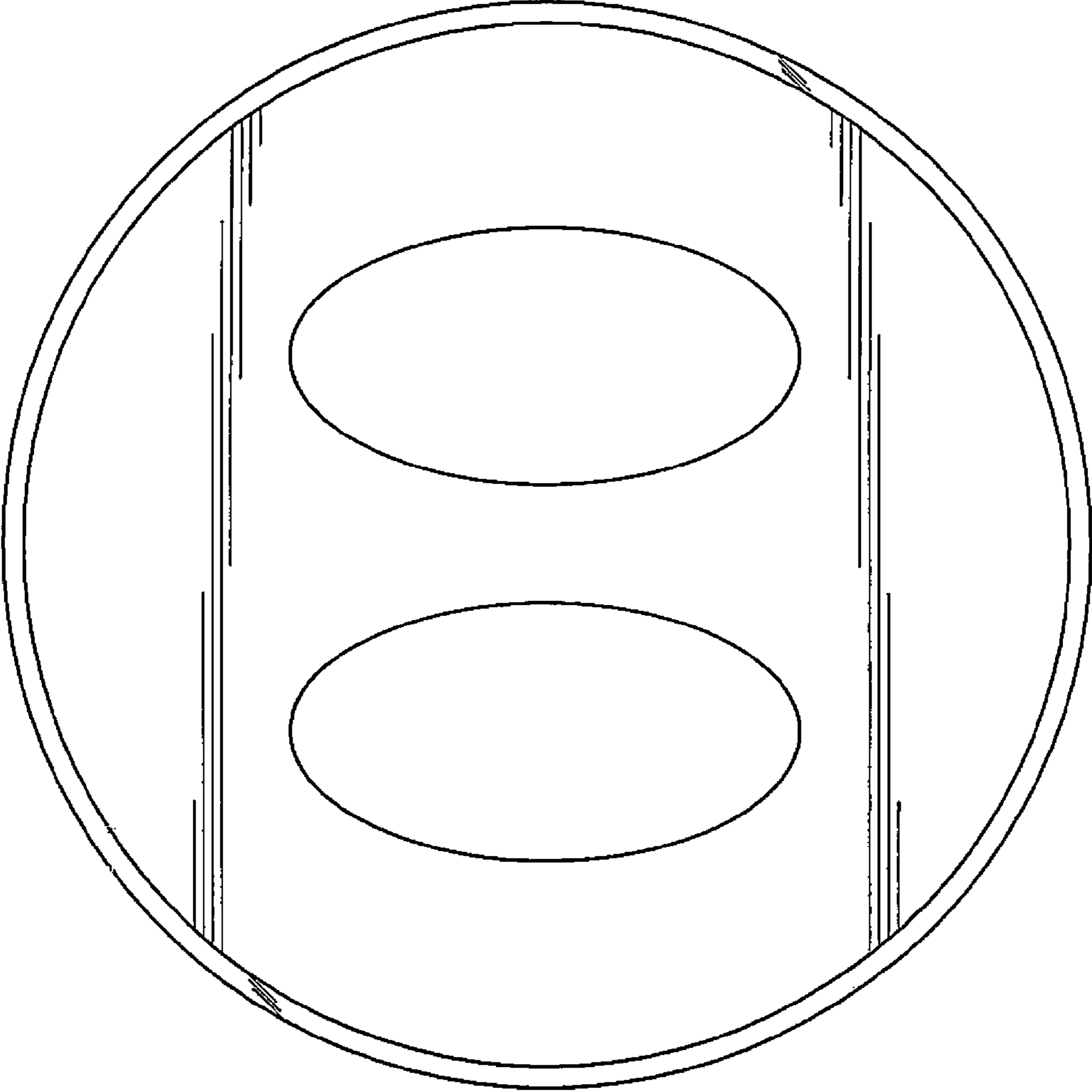


Fig. 4

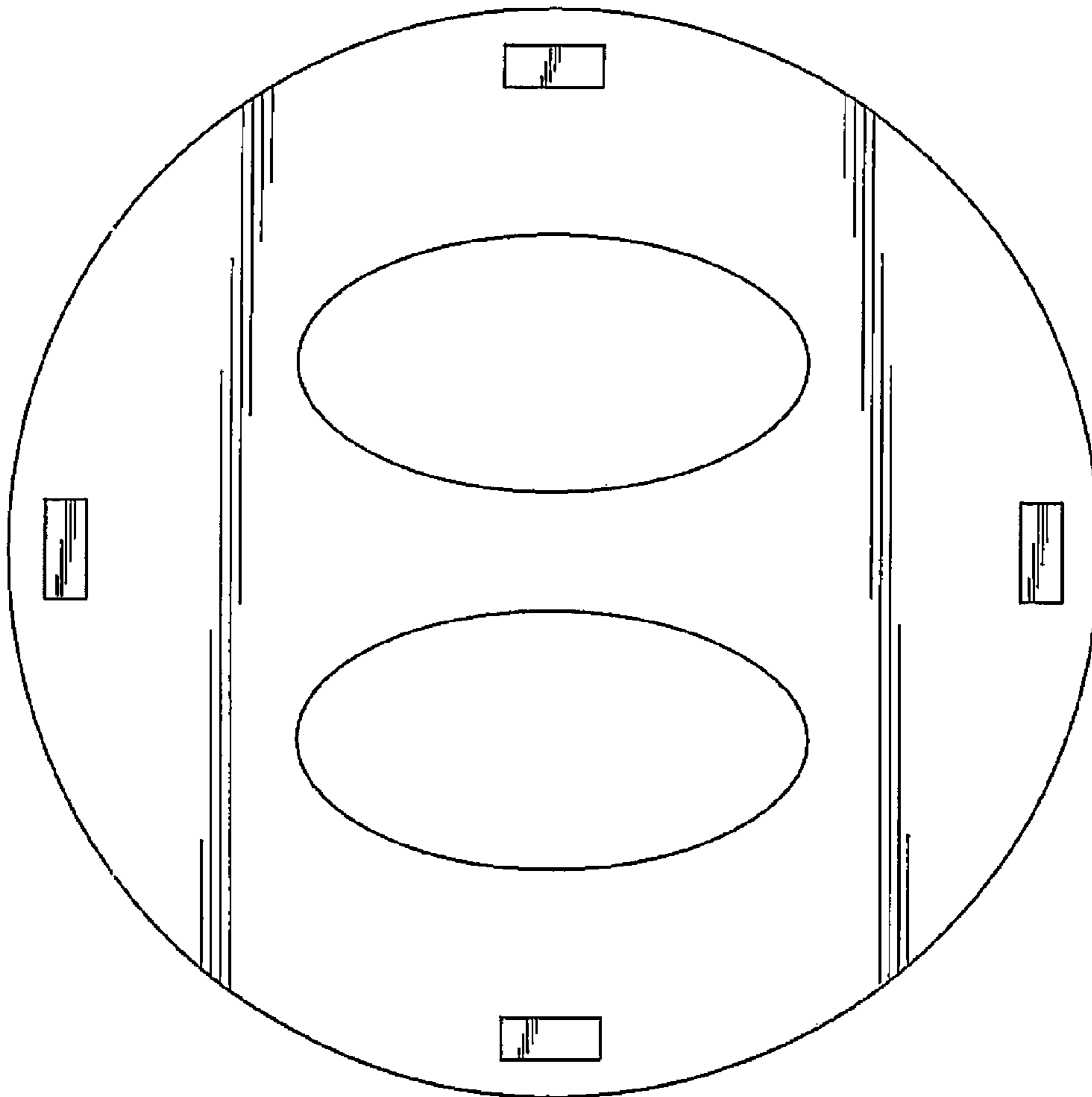


Fig. 5