



US00D684820S

(12) **United States Design Patent**
Leitner-Wise

(10) **Patent No.:** **US D684,820 S**
(45) **Date of Patent:** **** Jun. 25, 2013**

(54) **DRINKING VESSEL**

(76) Inventor: **Paul Andrew Leitner-Wise**, Alexandria, VA (US)

(**) Term: **14 Years**

(21) Appl. No.: **29/423,778**

(22) Filed: **Jun. 5, 2012**

(51) **LOC (9) Cl.** **07-01**

(52) **U.S. Cl.**
USPC **D7/523; D7/532; D7/531**

(58) **Field of Classification Search**
USPC D7/523, 532, 531, 509; 215/10, 384;
D3/202, 215; 224/148.6, 148.5
See application file for complete search history.

(56) **References Cited**

U.S. PATENT DOCUMENTS

D53,069 S * 3/1919 Fox D7/532
D112,560 S * 12/1938 Smith D7/532

D202,119 S * 8/1965 Shelby D7/531
D217,094 S * 4/1970 Gallagher D7/531
D286,000 S * 10/1986 Bussell D7/531
D529,340 S * 10/2006 Laib et al. D7/523
D546,126 S * 7/2007 Bhavnani D7/532
D574,193 S * 8/2008 Galvin et al. D7/531
D669,737 S * 10/2012 Nemeth et al. D7/532

* cited by examiner

Primary Examiner — Marianne Pandozzi

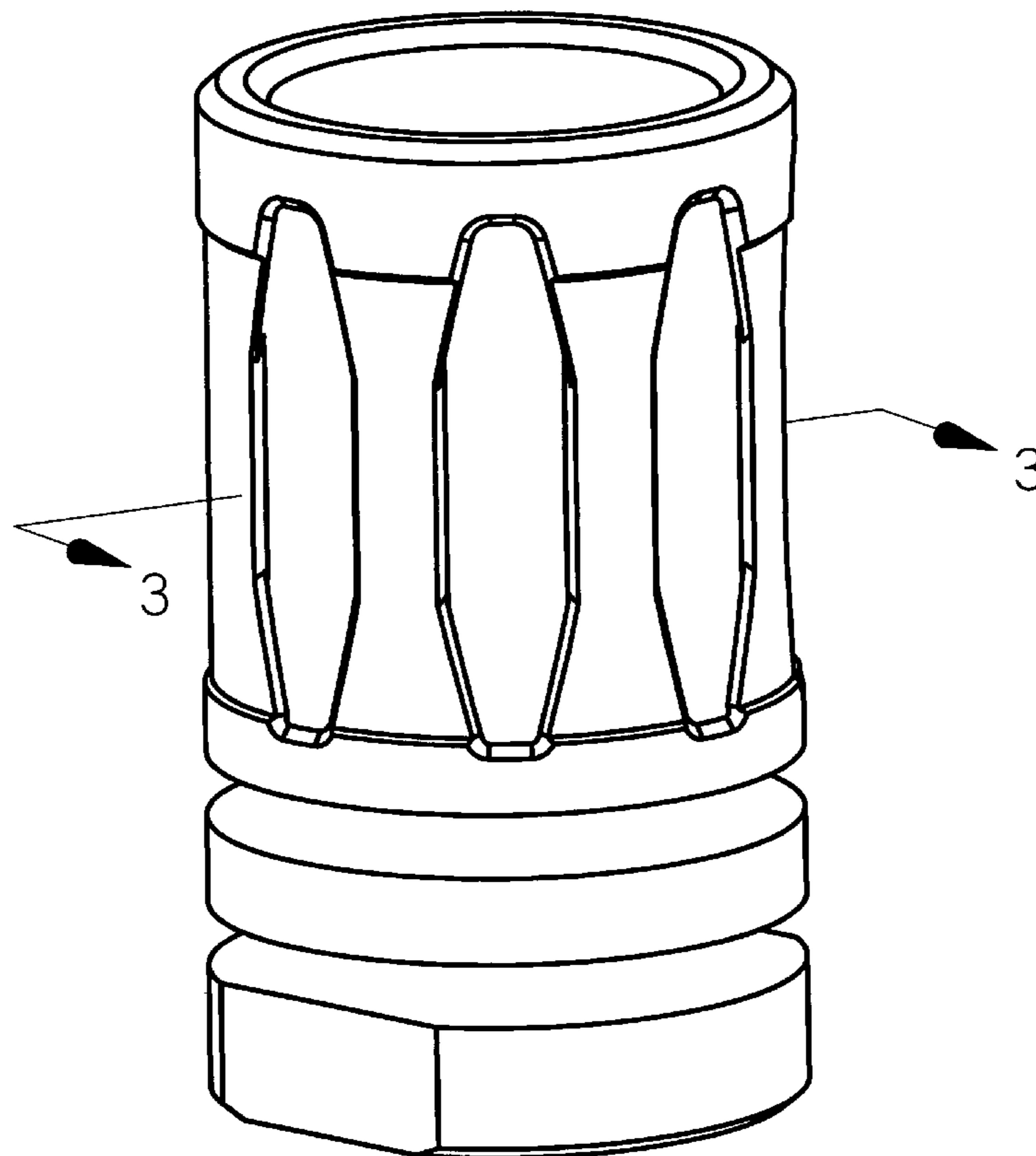
(57) **CLAIM**

The ornamental design for a drinking vessel, as shown and described.

DESCRIPTION

FIG. 1 is a front perspective view of a drinking vessel showing my new design;
FIG. 2 is a top perspective view thereof; and,
FIG. 3 sectional view taken along line 3-3 of FIG. 1.

1 Claim, 3 Drawing Sheets



FRONT PERSPECTIVE VIEW OF A DRINKING VESSEL

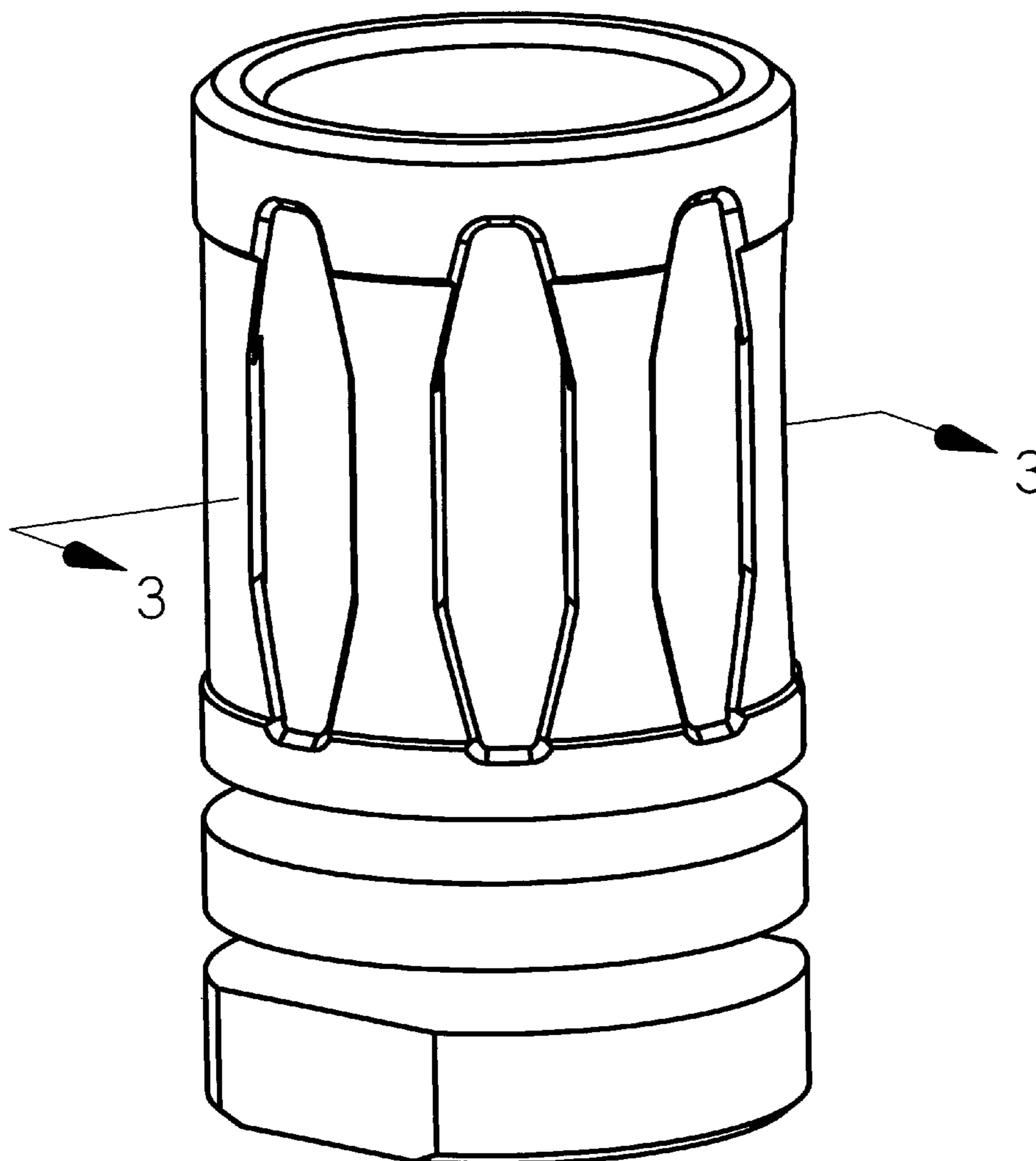


FIG. 1

FRONT PERSPECTIVE VIEW OF A DRINKING VESSEL

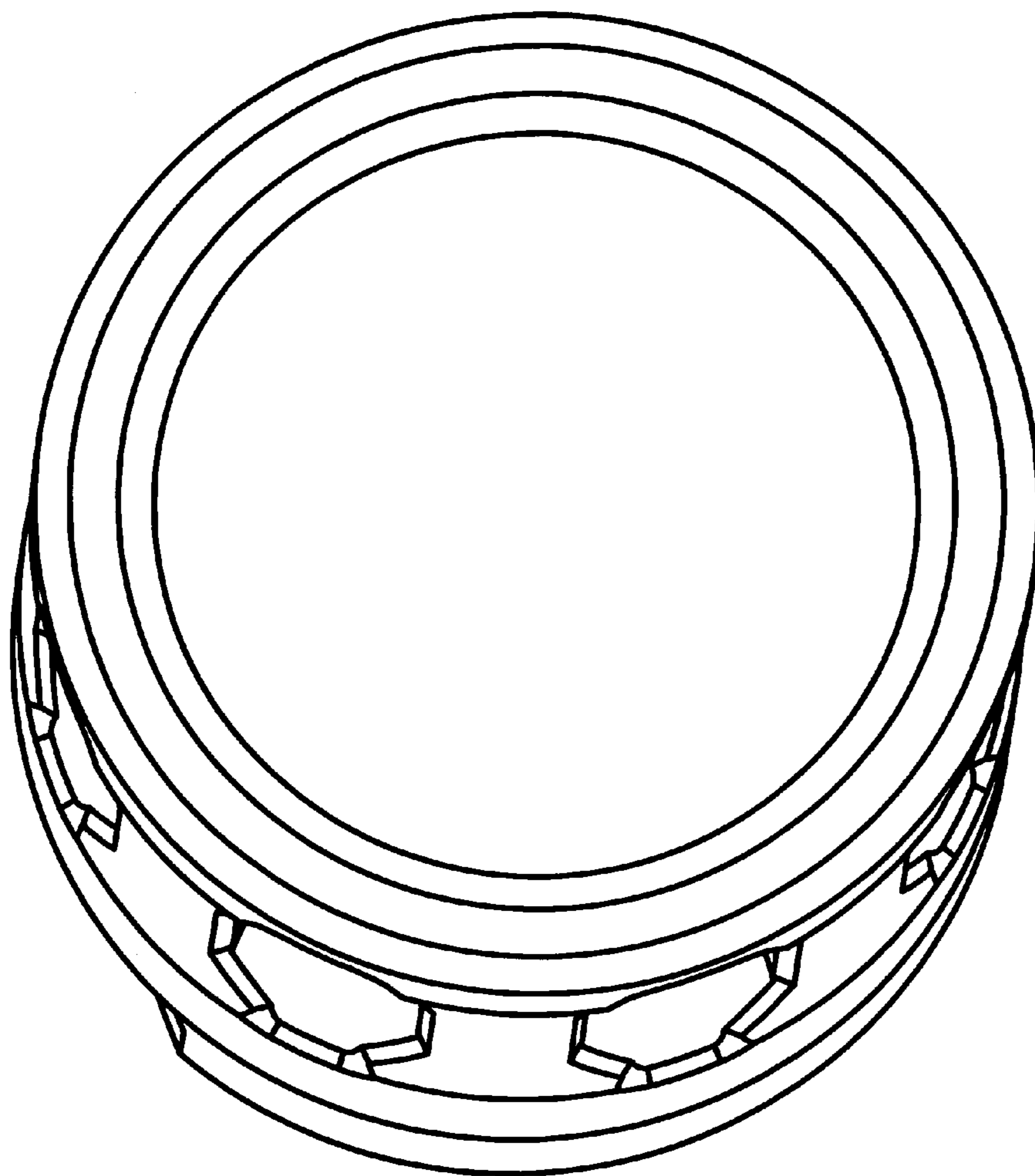


FIG. 2

TOP PERSPECTIVE VIEW THEREOF

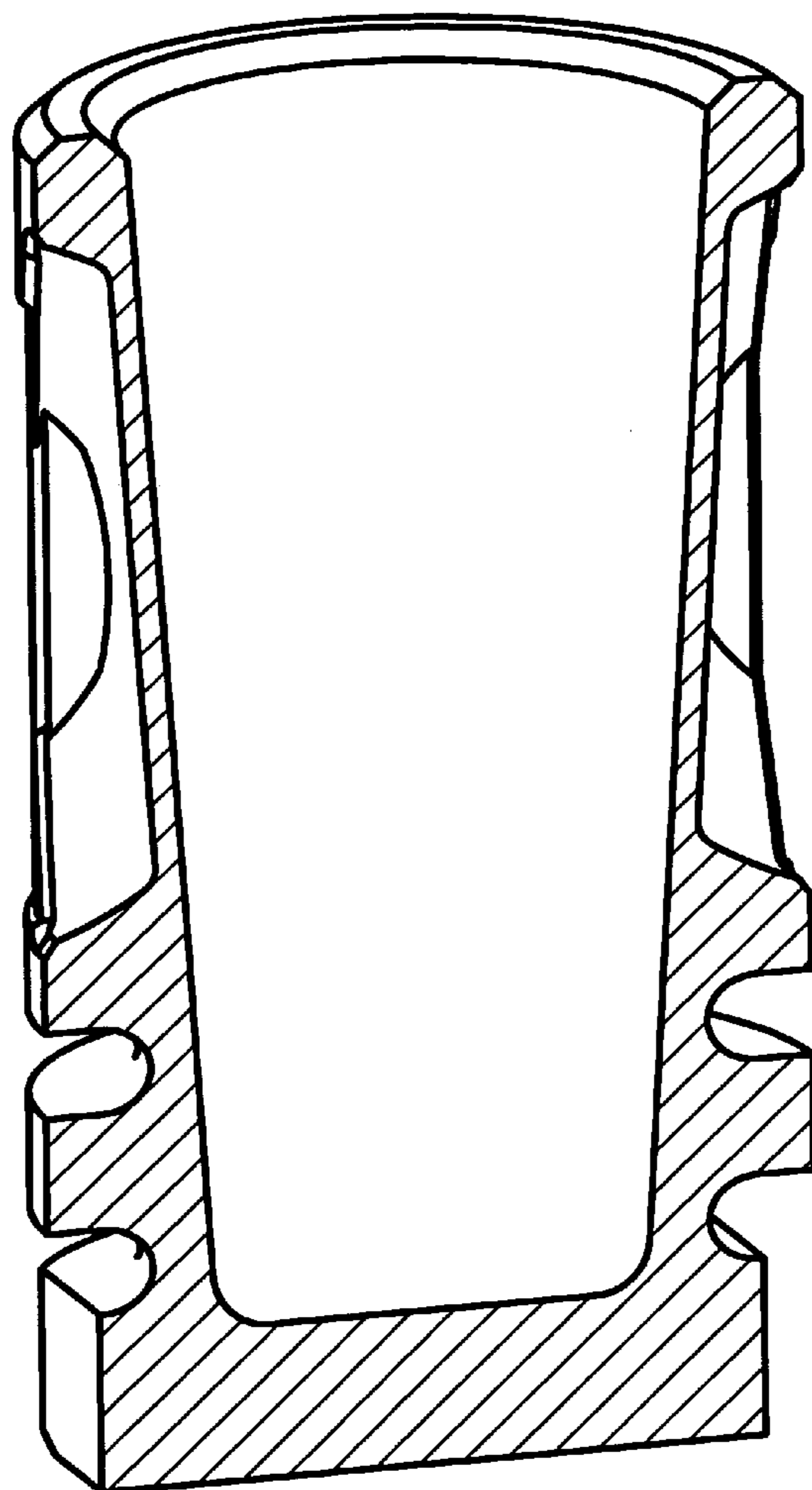


FIG. 3

SECTIONAL VIEW TAKEN ALONG LINE 3-3 OF FIGURE 1