



US00D684819S

(12) **United States Design Patent**
Smith

(10) **Patent No.:** **US D684,819 S**
(45) **Date of Patent:** **** Jun. 25, 2013**

(54) **DOUBLE-WALLED BEVERAGE CONTAINER**

DESCRIPTION

(75) Inventor: **Scott Smith**, Bartlett, IL (US)
(73) Assignee: **The Bradford Exchange, Ltd.**, Niles, IL (US)
(**) Term: **14 Years**
(21) Appl. No.: **29/410,151**
(22) Filed: **Jan. 4, 2012**
(51) **LOC (9) Cl.** **07-01**
(52) **U.S. Cl.**
USPC **D7/514; D7/515; D7/536**
(58) **Field of Classification Search**
USPC D7/515, 514, 532, 533, 510, 511,
D7/619.1, 512; D9/429, 502, 538, 524;
215/13.1, 12.1; 229/400; 206/519; 220/703,
220/710.5; D24/197
See application file for complete search history.

(56) **References Cited**

U.S. PATENT DOCUMENTS

2,945,361 A * 7/1960 Miller 425/412
3,302,428 A * 2/1967 Paquin et al. 62/457.4

(Continued)

OTHER PUBLICATIONS

Lataz Novelty & Unique Gifts, "Calf & Half Creamer Pitcher",
http://www.lataz.com/calf-and-half-cream-pircher?keyword=calf_&half_creamer_pitcher=&category_id=0,
P 1, (Dec. 2011).

(Continued)

Primary Examiner — Marianne Pandozzi

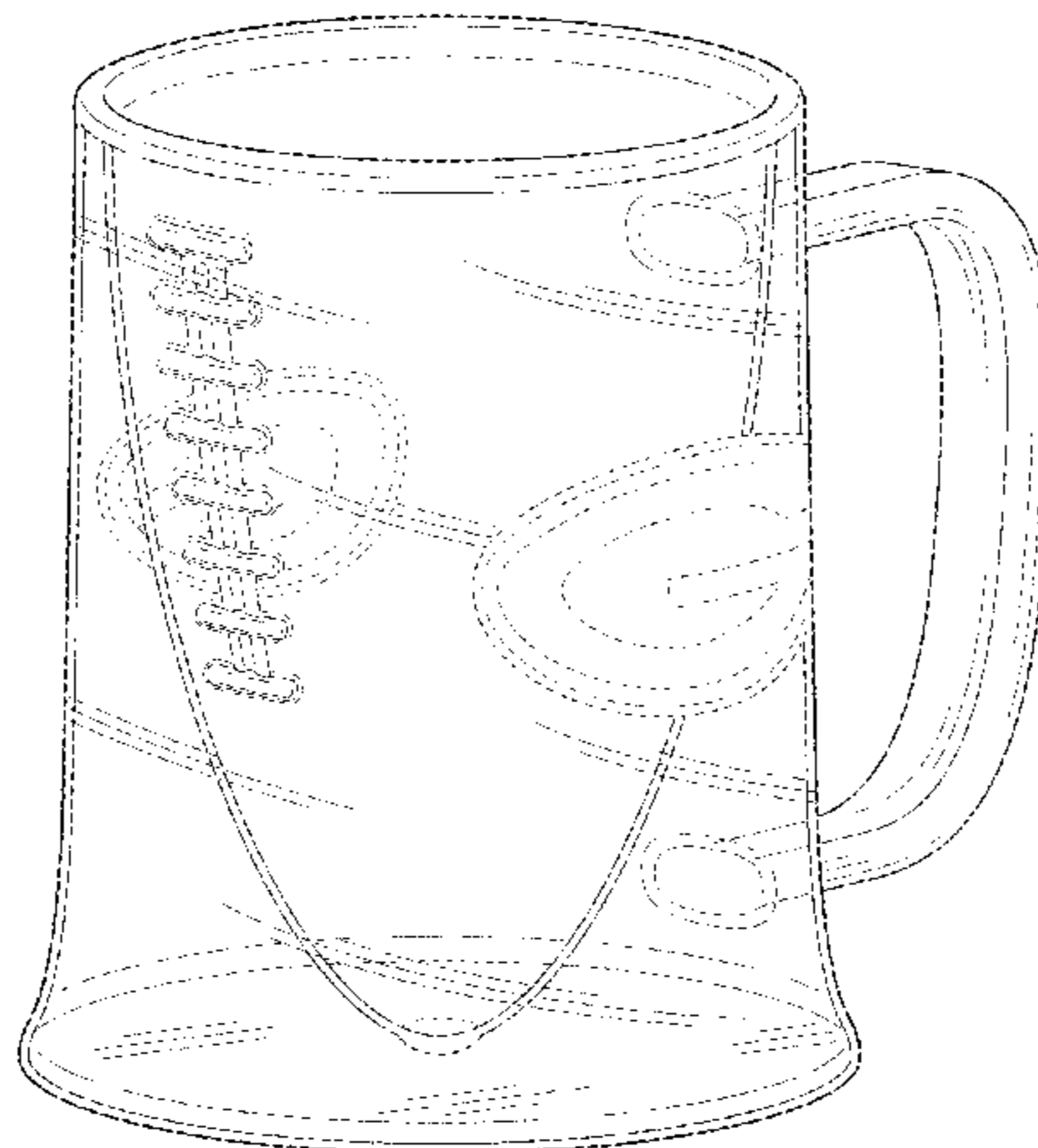
(74) *Attorney, Agent, or Firm* — Donald J. Silvert; Silvert IP Law, P.C.

(57) **CLAIM**

The ornamental design for a double-walled beverage container, as shown and described.

FIG. 1 is a front perspective view of a first embodiment of a double-walled beverage container according to my design; FIG. 2 is a front elevation view of the first embodiment; the back elevation view of the first embodiment is a mirror image of FIG. 2 and therefor omitted; FIG. 3 is a right side elevation view of the first embodiment; FIG. 4 is a left side elevation view of the first embodiment; FIG. 5 is a top plan view of the first embodiment; FIG. 6 is a bottom plan view of the first embodiment; FIG. 7 is a front perspective view of a second embodiment of a double-walled beverage container according to my design; FIG. 8 is a front elevation view of the second embodiment; FIG. 9 is a back elevation view of the second embodiment; FIG. 10 is a right side elevation view of the second embodiment; FIG. 11 is a left side elevation view of the second embodiment; FIG. 12 is a top plan view of the second embodiment; FIG. 13 is a bottom plan view of the second embodiment; FIG. 14 is a front perspective view of a third embodiment of a double-walled beverage container according to my design; FIG. 15 is a front elevation view of the third embodiment; the back elevation view of the third embodiment is a mirror image of FIG. 15 and therefor omitted; FIG. 16 is a right side elevation view of the third embodiment; FIG. 17 is a left side elevation view of the third embodiment; FIG. 18 is a top plan view of the third embodiment; FIG. 19 is a bottom plan view of the third embodiment; FIG. 20 is a front perspective view of a fourth embodiment of a double-walled beverage container according to my design; FIG. 21 is a front elevation view of the fourth embodiment; FIG. 22 is a back elevation view of the fourth embodiment; FIG. 23 is a right side elevation view of the fourth embodiment; FIG. 24 is a left side elevation view of the fourth embodiment; FIG. 25 is a top plan view of the fourth embodiment; and, FIG. 26 is a bottom plan view of the fourth embodiment. The broken lines are for illustrative purposes only and form no part of the claimed design.

1 Claim, 16 Drawing Sheets



US D684,819 S

Page 2

U.S. PATENT DOCUMENTS

D225,885 S * 1/1973 Doman et al. D7/536
3,715,895 A * 2/1973 Devlin 62/457.3
D231,068 S * 4/1974 Douglas D7/533
D239,588 S * 4/1976 Krieger et al. D7/515
D245,161 S 7/1977 Perkins D15/79
4,357,809 A * 11/1982 Held et al. 62/457.4
4,570,454 A 2/1986 Campbell 62/457
D292,463 S * 10/1987 Petrsek D7/515
4,782,670 A * 11/1988 Long et al. 62/457.4
4,998,734 A 3/1991 Meyer 273/235
5,001,907 A * 3/1991 LaCroix et al. 62/457.4
D371,934 S 7/1996 Cwirko D7/515
5,573,141 A 11/1996 Chen 62/457.03
D383,039 S * 9/1997 Densmore D7/536
D391,155 S 2/1998 Edson et al. D9/307
5,769,262 A 6/1998 Yamada et al. 220/426
D398,188 S * 9/1998 Weeks et al. D7/515
D402,198 S 12/1998 Schultz et al. D9/307
5,894,948 A 4/1999 Yeh 215/12.01
5,964,102 A 10/1999 Tsai 62/457.3
6,050,443 A 4/2000 Tung 220/592.17
D424,375 S 5/2000 D'Arrigo D7/510
D469,309 S 1/2003 Janky D7/510
6,511,196 B1 * 1/2003 Hoy 362/101
D494,418 S 8/2004 Bodum D7/533
D502,056 S * 2/2005 Bakti D7/507
D554,431 S 11/2007 Tien D7/509
D557,563 S 12/2007 Bodum et al. D7/536
D562,073 S * 2/2008 Yeh D7/515
D563,172 S 3/2008 Bodum D7/523
D565,354 S * 4/2008 Bodum D7/523
D574,664 S * 8/2008 Thompson D7/515
D580,775 S 11/2008 Harris D9/668
D583,194 S 12/2008 Pourounidis et al. D7/565
D587,528 S 3/2009 Trombly D7/536
D589,765 S 4/2009 Zuloff D7/901
7,556,425 B2 7/2009 Gluck 374/162

D597,791 S * 8/2009 Lion et al. D7/523
D613,996 S * 4/2010 Ross D7/523
D614,448 S * 4/2010 Cahen D7/532
7,717,325 B2 5/2010 Puls et al. 229/403
D621,657 S * 8/2010 Quinn D7/507
D622,548 S 8/2010 Jensen D7/523
D650,236 S * 12/2011 Schmidt D7/536
2011/0114648 A1 5/2011 Proskey 220/592.17

OTHER PUBLICATIONS

Perpetual Kid, "Bombs Away Shot Glasses", <http://www.perpetualkid.com/bombs-away-shot-glasses.aspx>, p. 1-4, (Dec. 2011).

Perpetual Kid, "Half Full Glass", <http://www.perpetualkid.com/half-full-olass.aspx>, p. 1-3, (Dec. 2011).

Peprpetual Kid, "Hopside Down Beer Glass", <http://www.perpetualkid.com/hopside-down-beer-glass.aspx>, p. 1-4, (Dec. 2011).

Realm Of Ludicrous Objects, "Fred Winestein Beer and Wine Mug", http://www.rolostore.com/index.php?main_page+product_info&cPath=6&products_id=798, P 1, (Dec. 2011).

Tequila, "Milagro Tequila Select Barrel Reserve Anejo", <http://www.tequila.net/tequila-reviews/anejos/milagro-tequila-select-barrel-re-serve-anejo.html>, p. 1-5, (Dec. 2011).

Tequila, "Milagro Tequila Select Barrel Reserve Reposado", <http://www.tequila.net/tequila-reviews/reposados/milagro-tequila-select-barrel-reserve-reposado.html>, p. 1-5, (Dec. 2011).

Tequila, "Milagro Tequila Romance," <http://www.tequila.net/tequila-reviews/anejos/milagro-tequila-romance.html>, p. 1-5, (Dec. 2011).

Urban General Store, "Saltside Out Salt Shaker", <http://www.urbangeneralstore.com/shop/saltside-outm-salt-shakerhtml>, p. 1-2, (Dec. 2011).

* cited by examiner

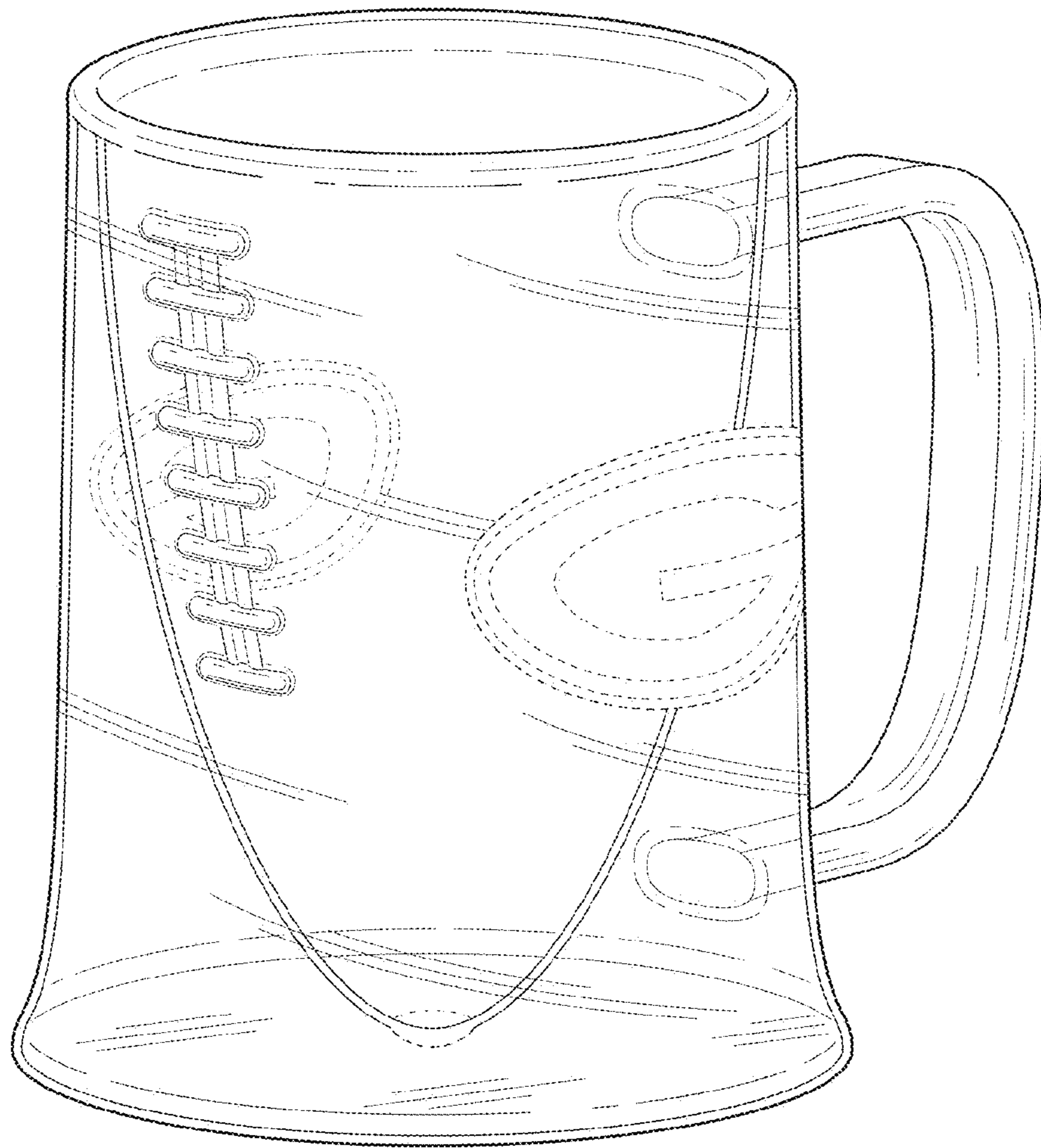


FIG. 1

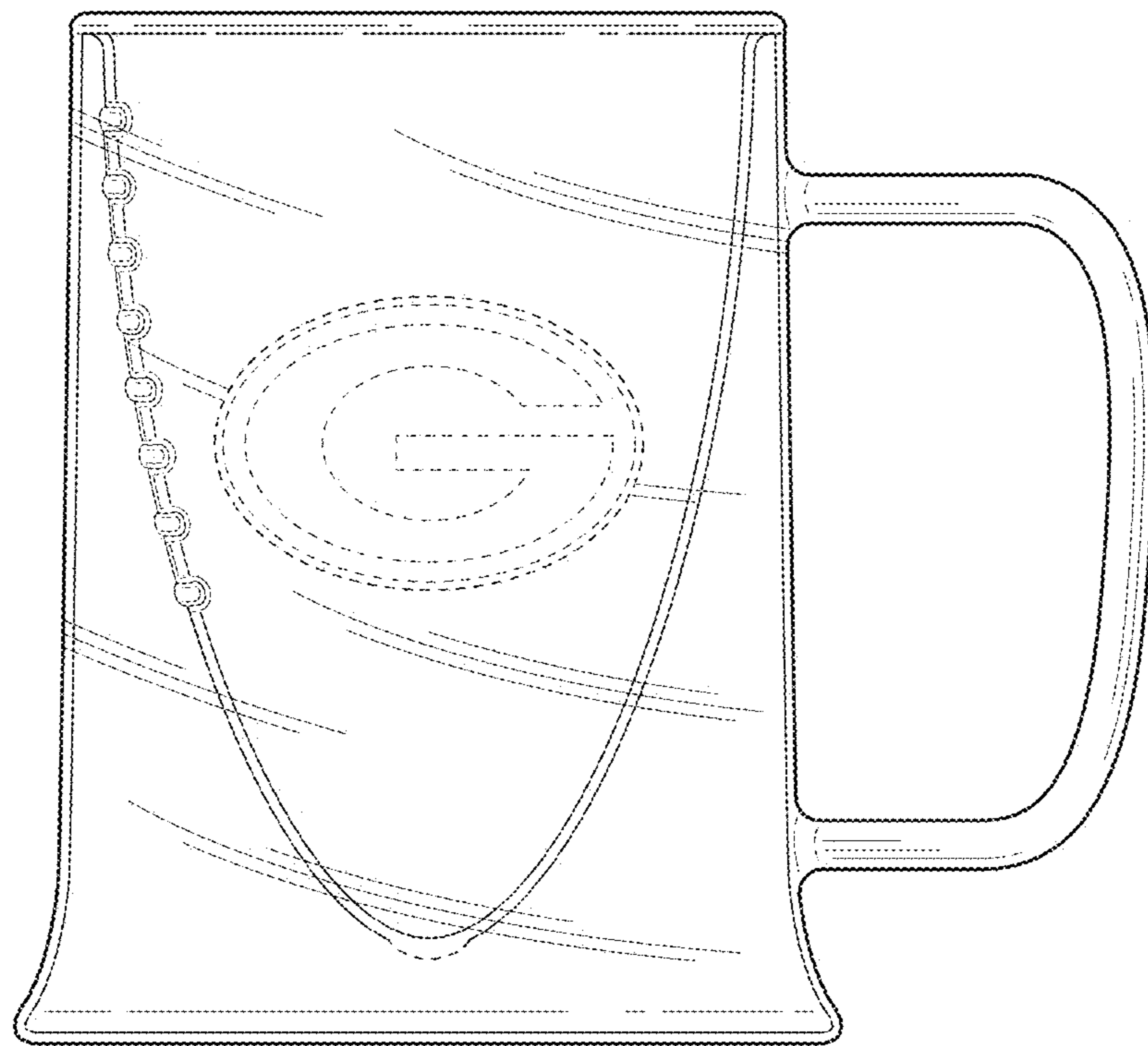


FIG. 2

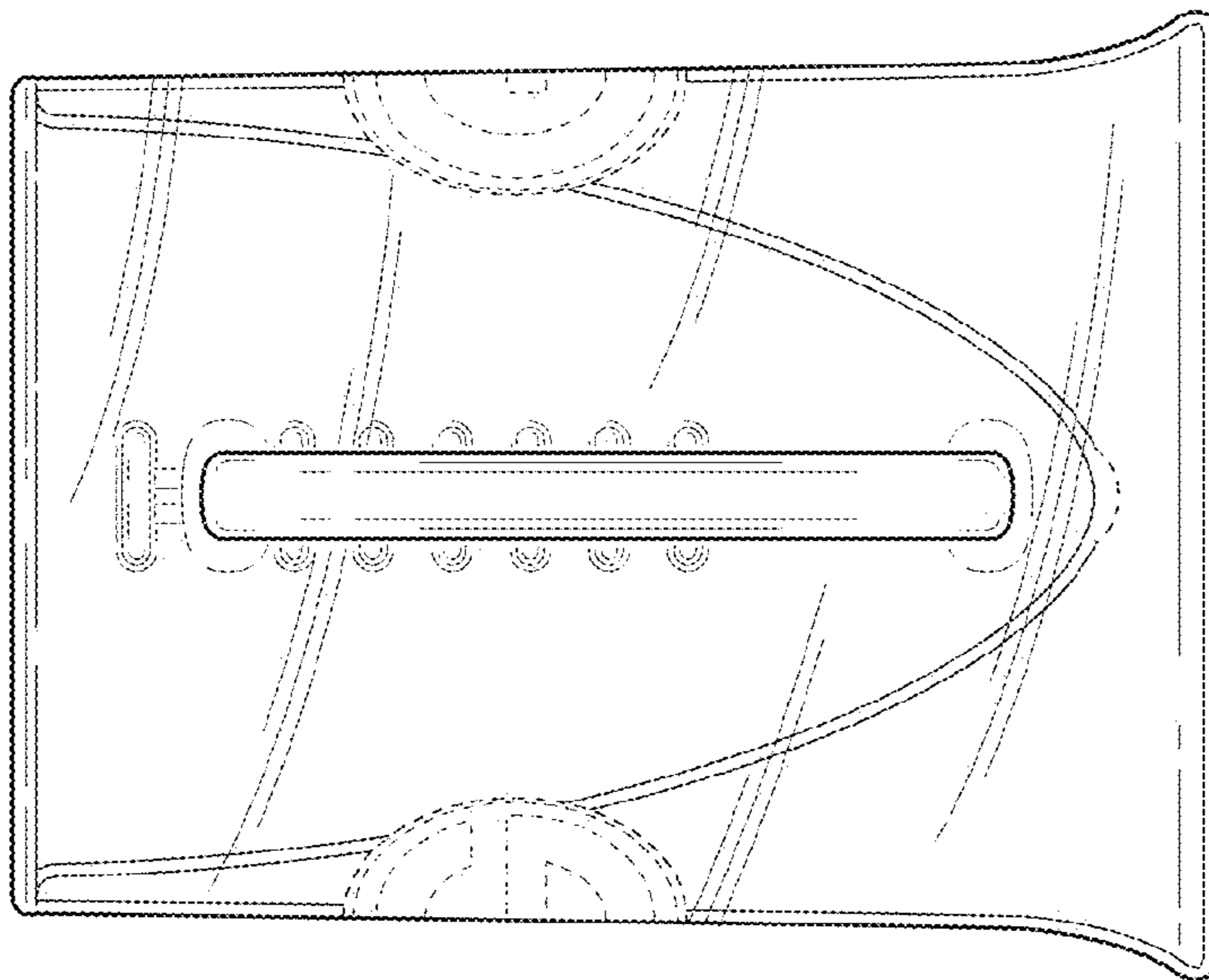


FIG. 4

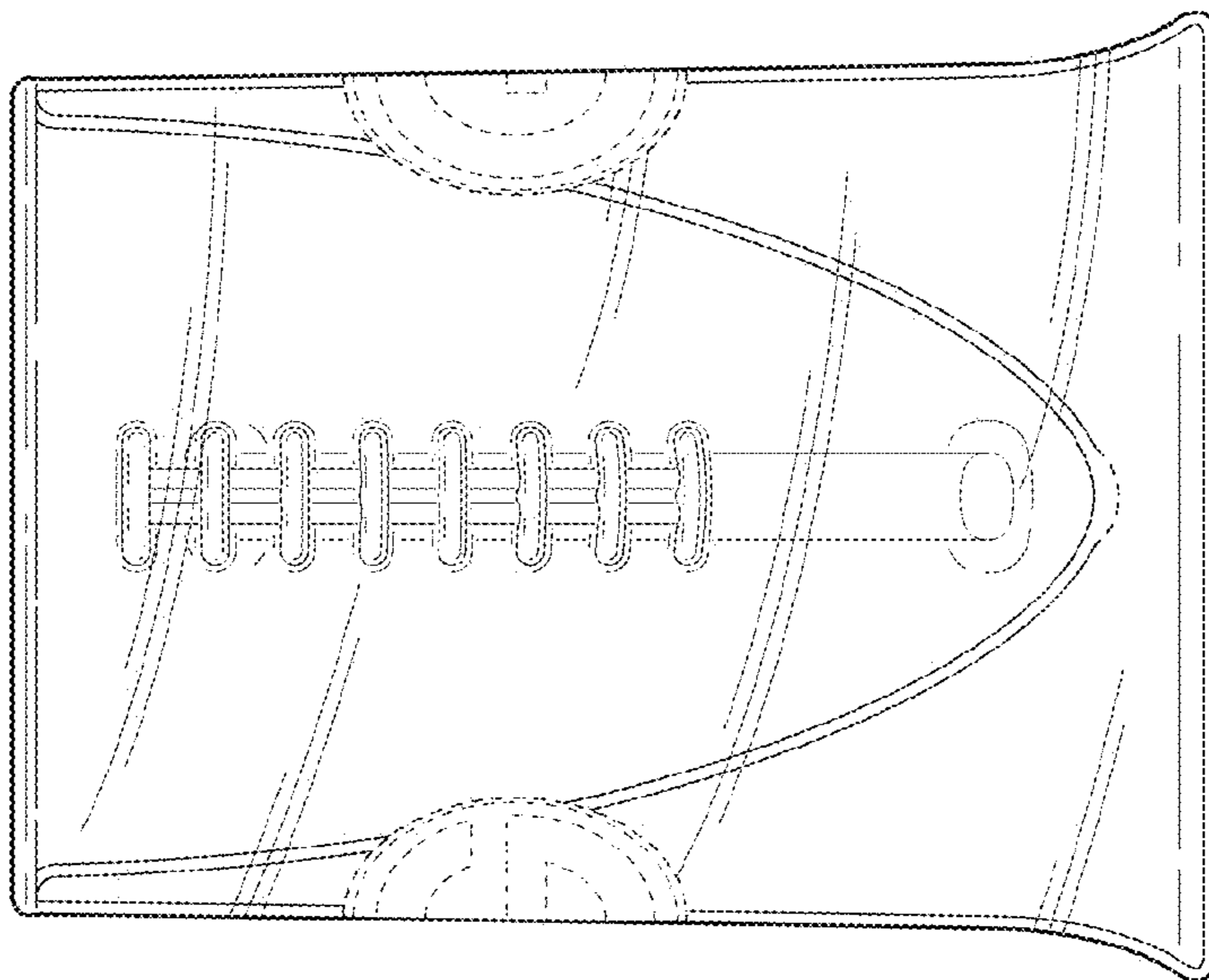


FIG. 3

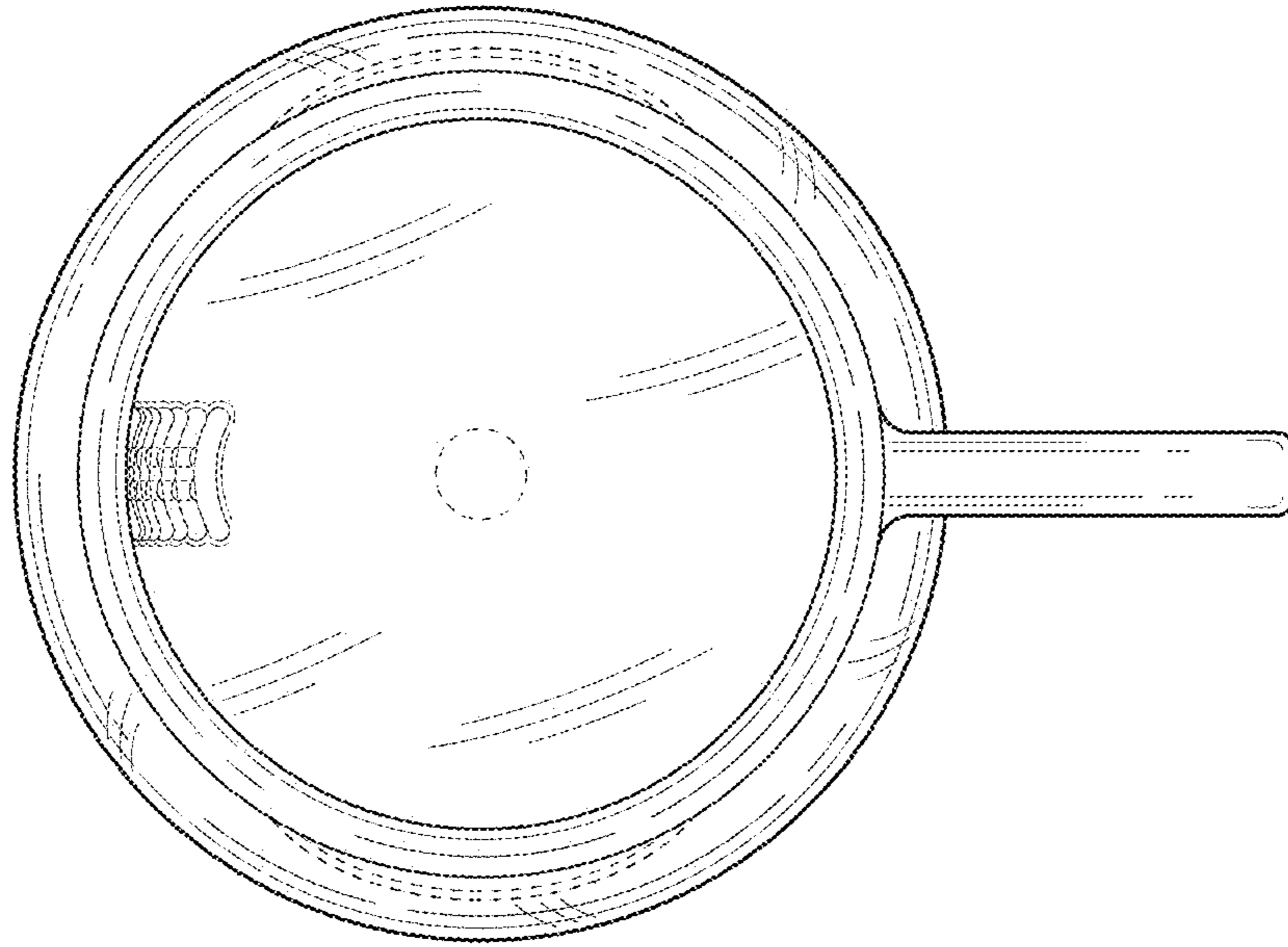


FIG. 5

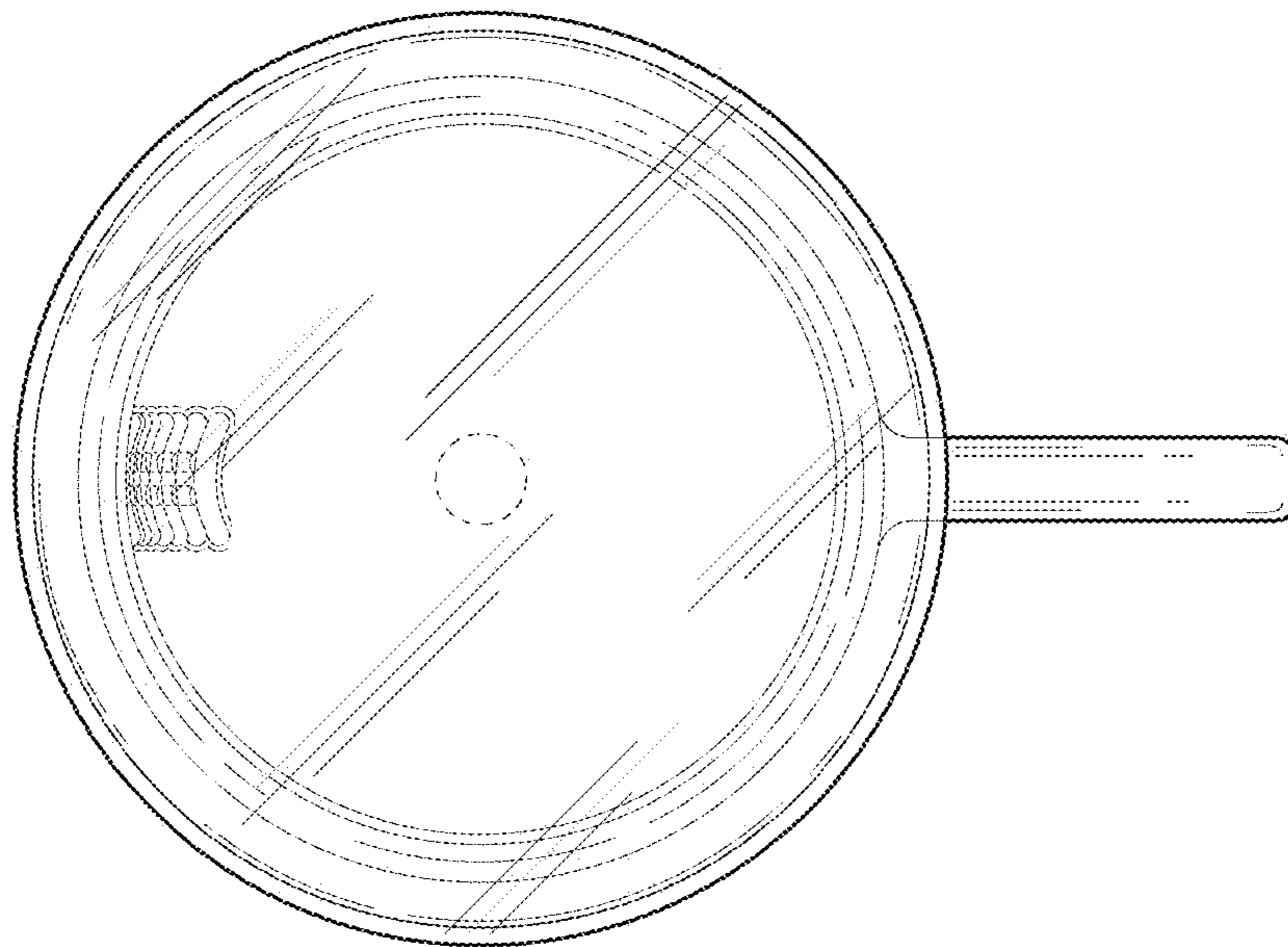


FIG. 6

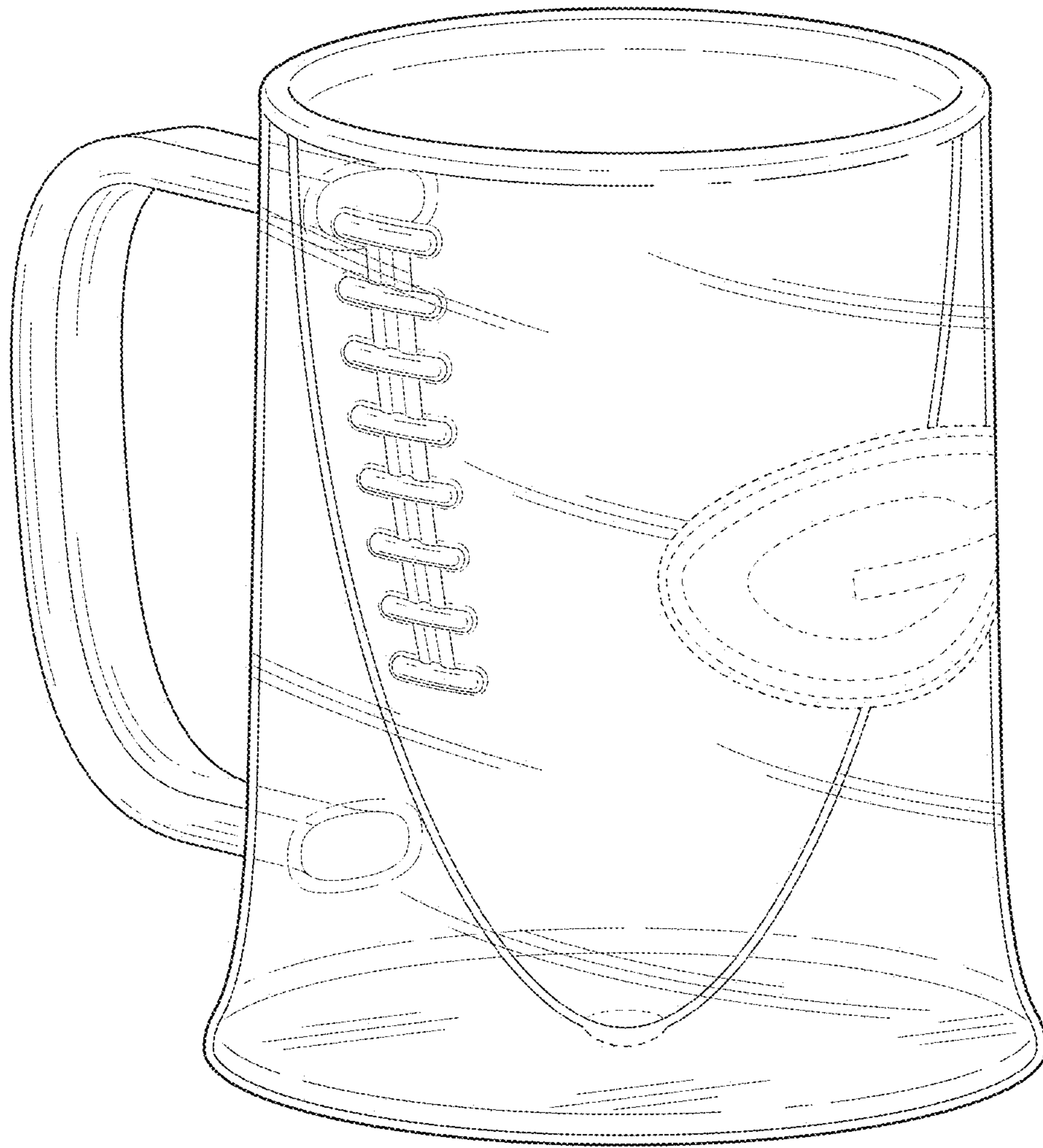


FIG. 7

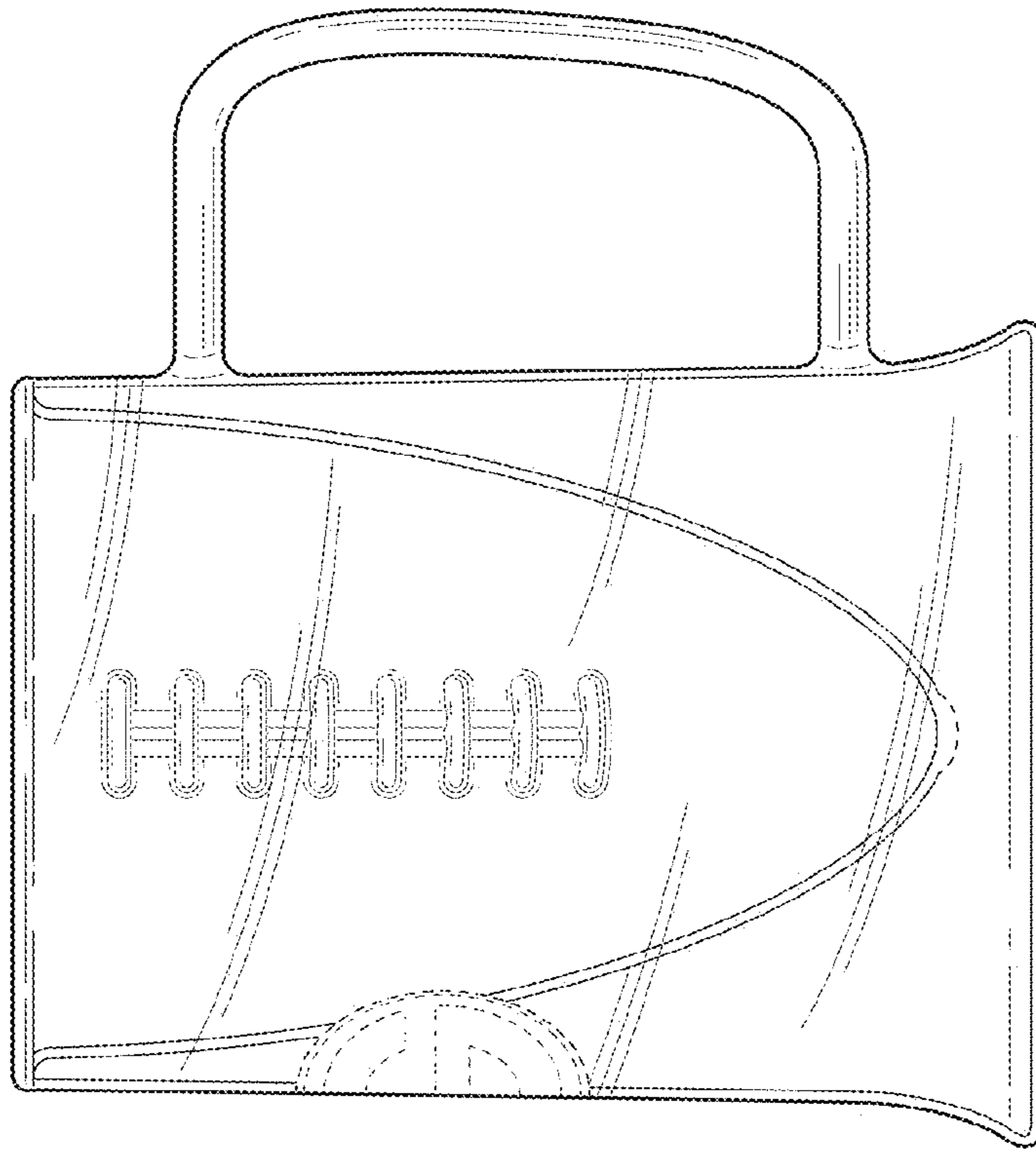


FIG. 9

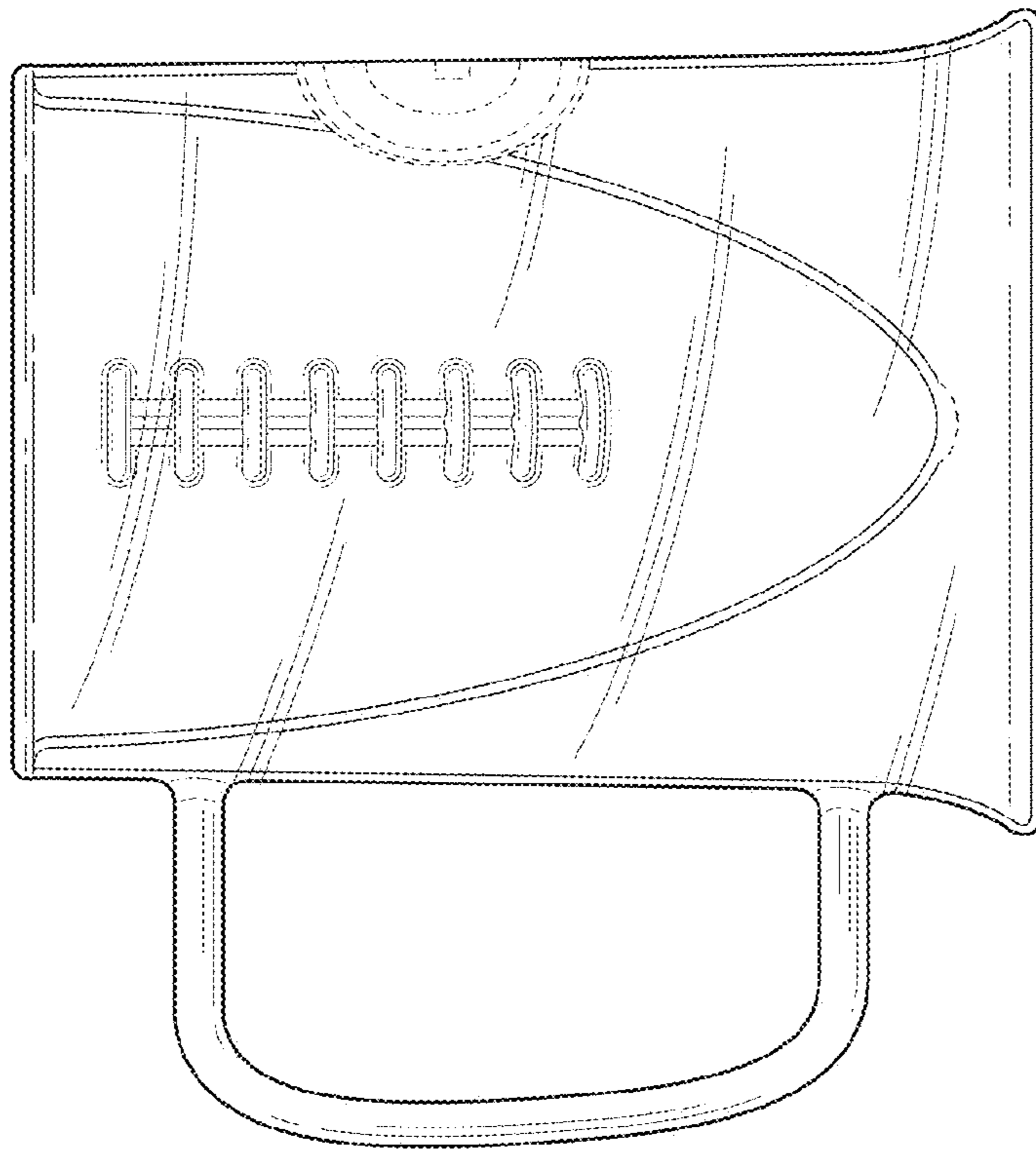


FIG. 8

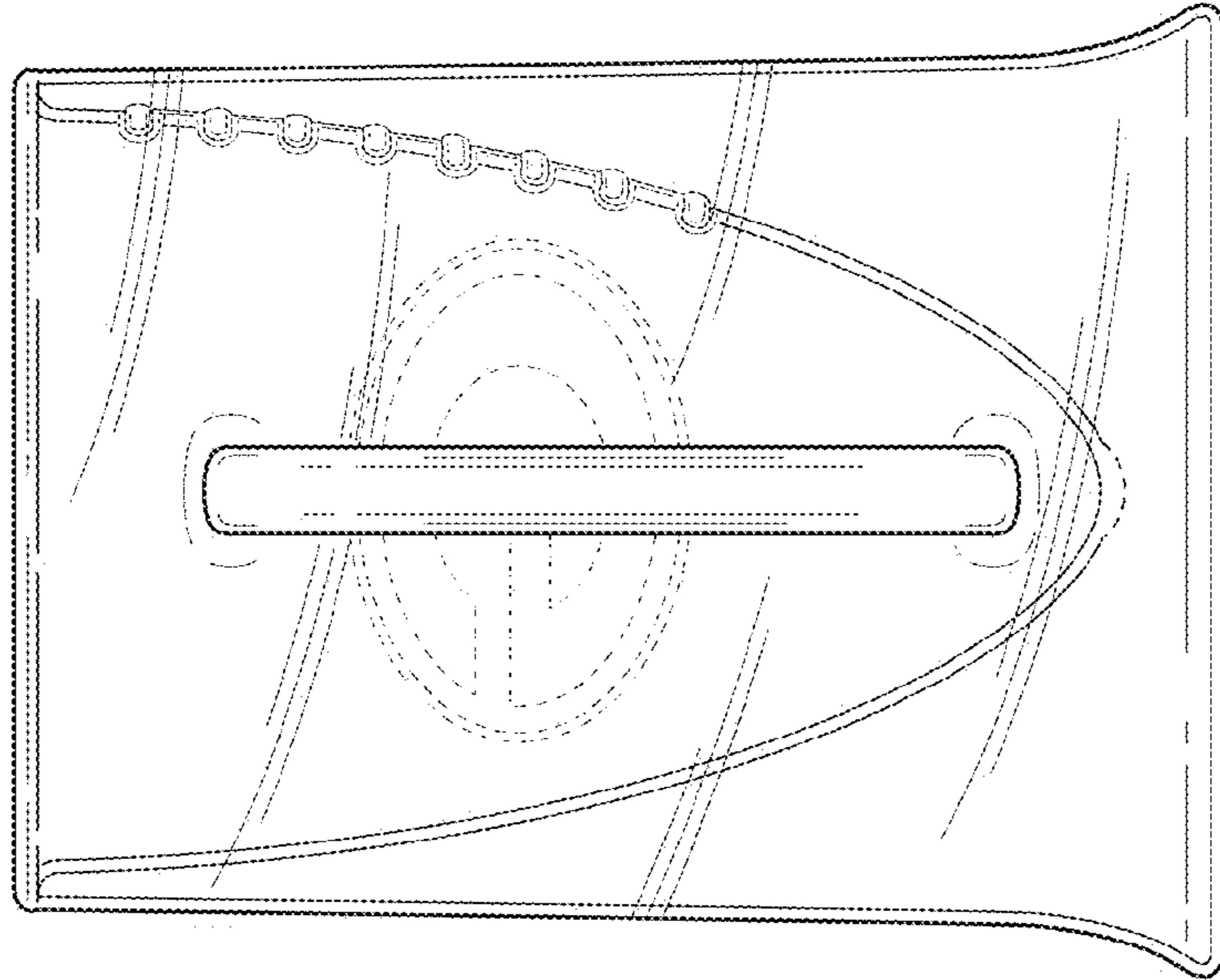


FIG. 11

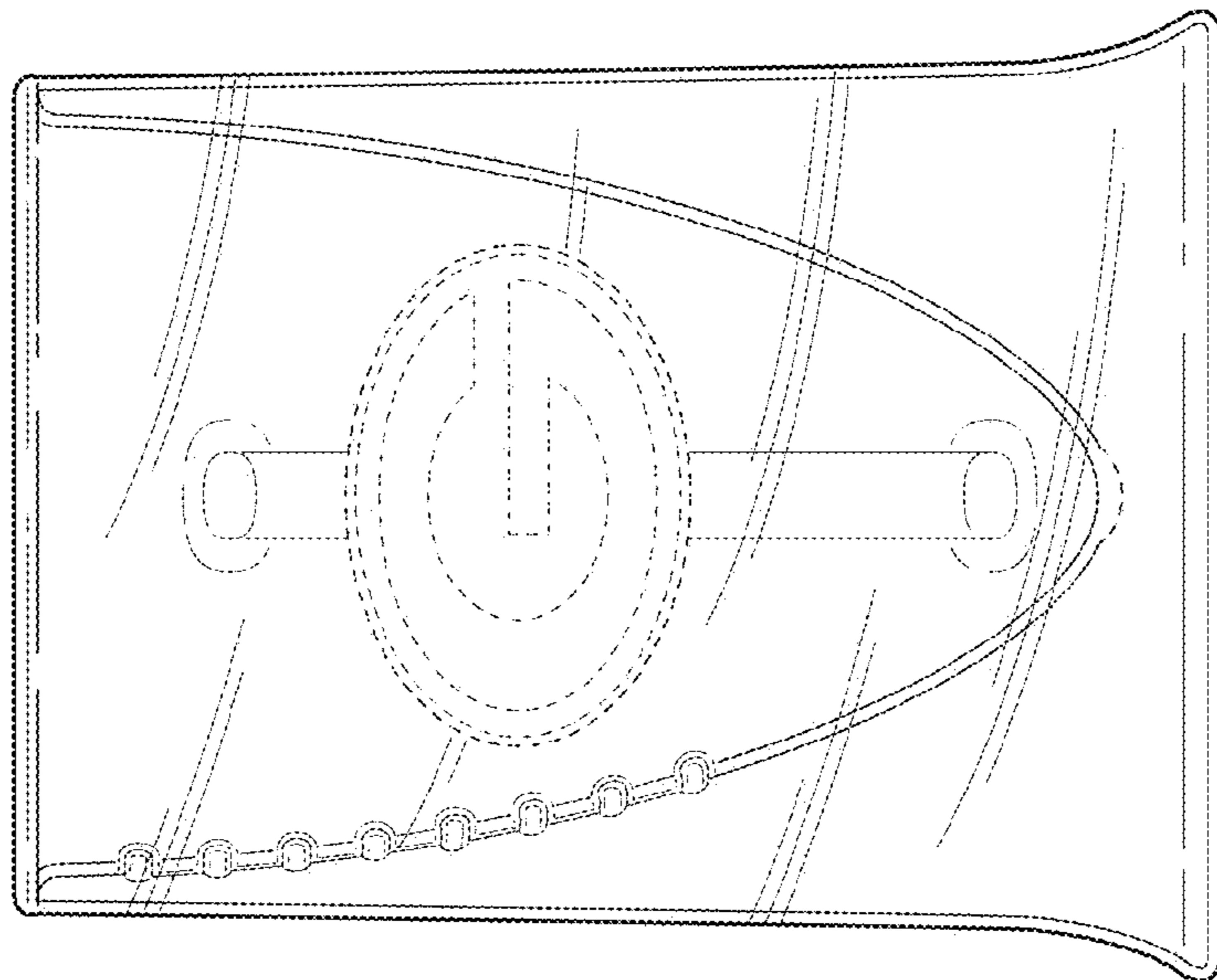


FIG. 10

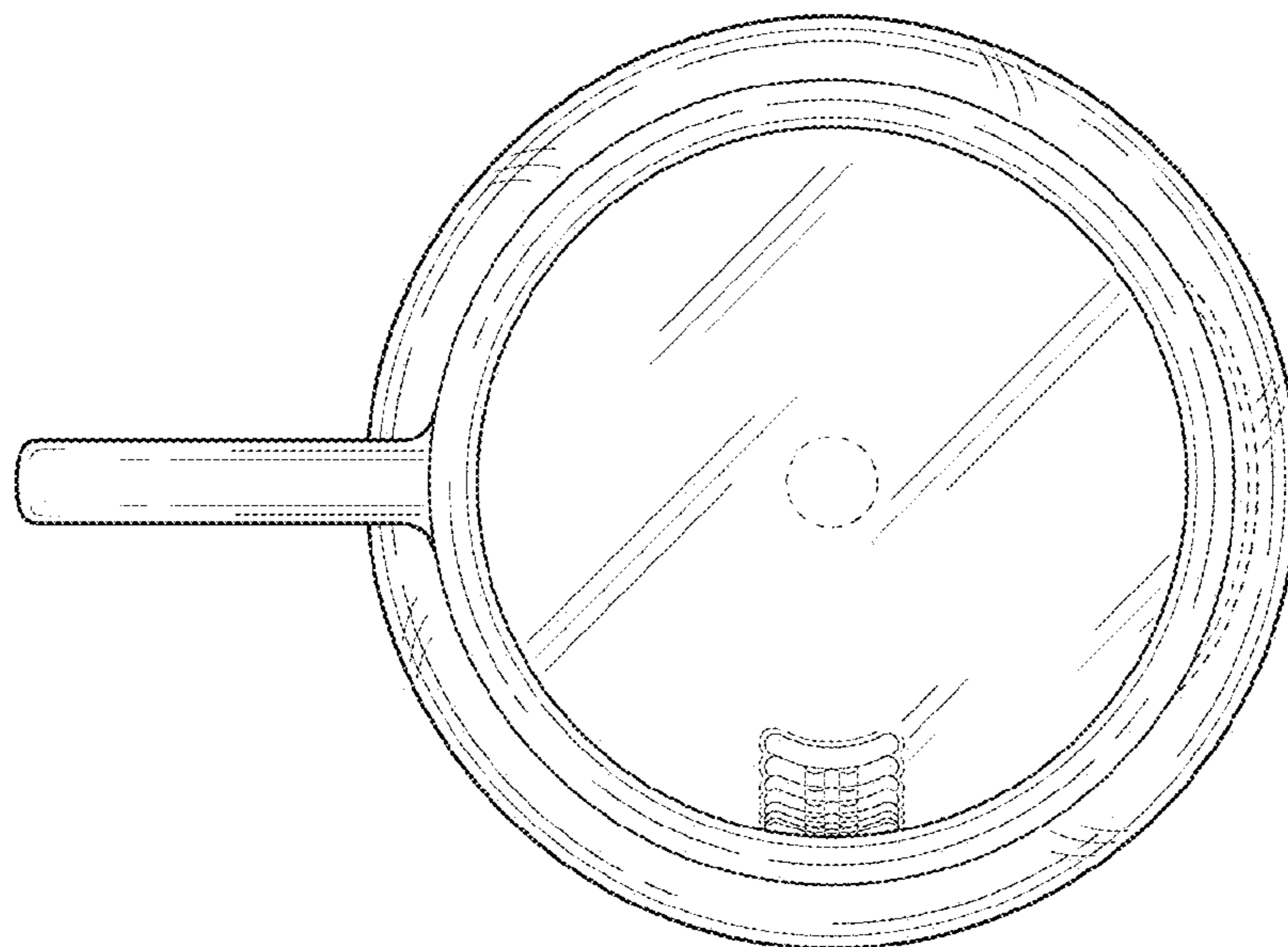


FIG. 12

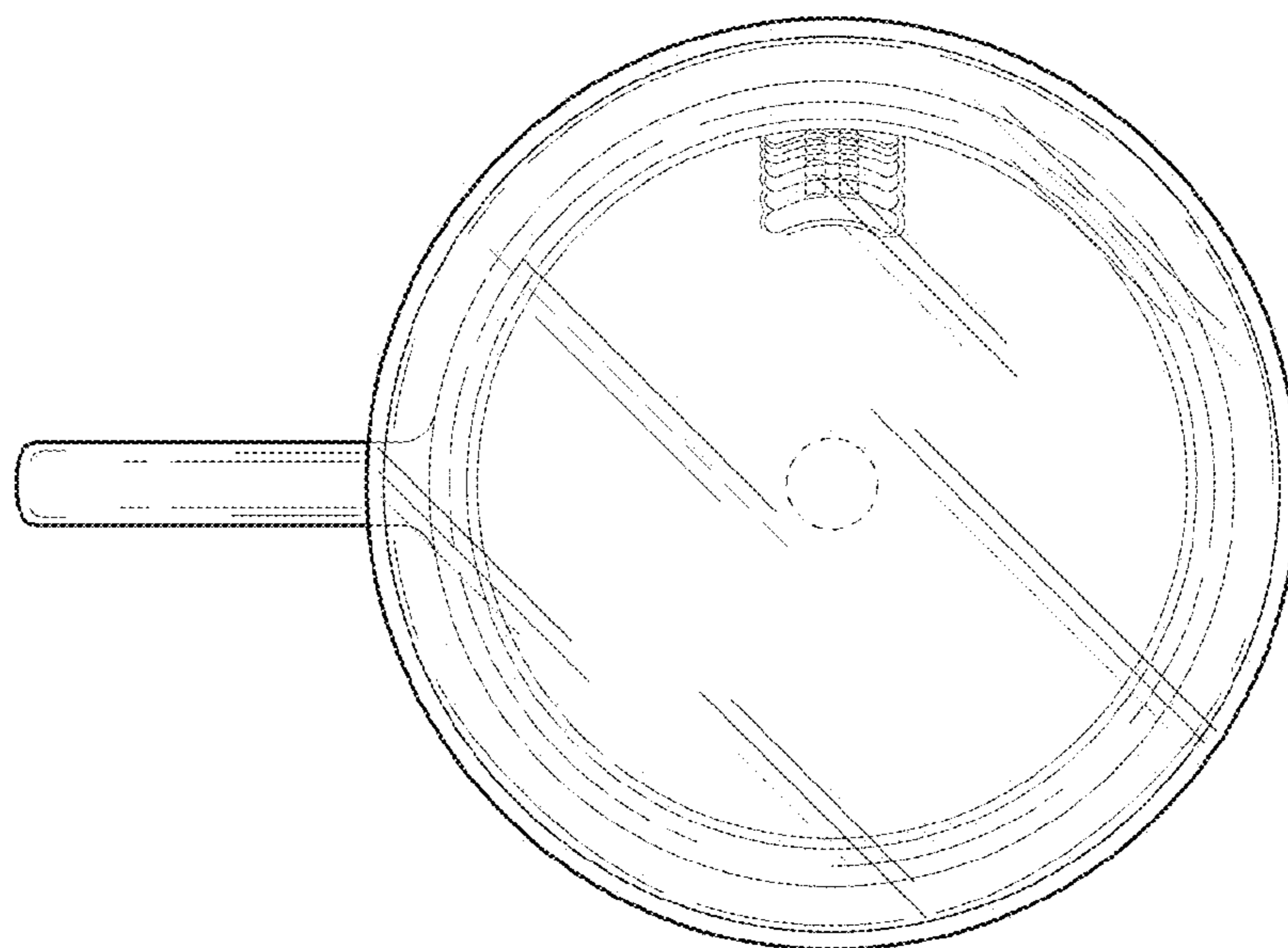


FIG. 13

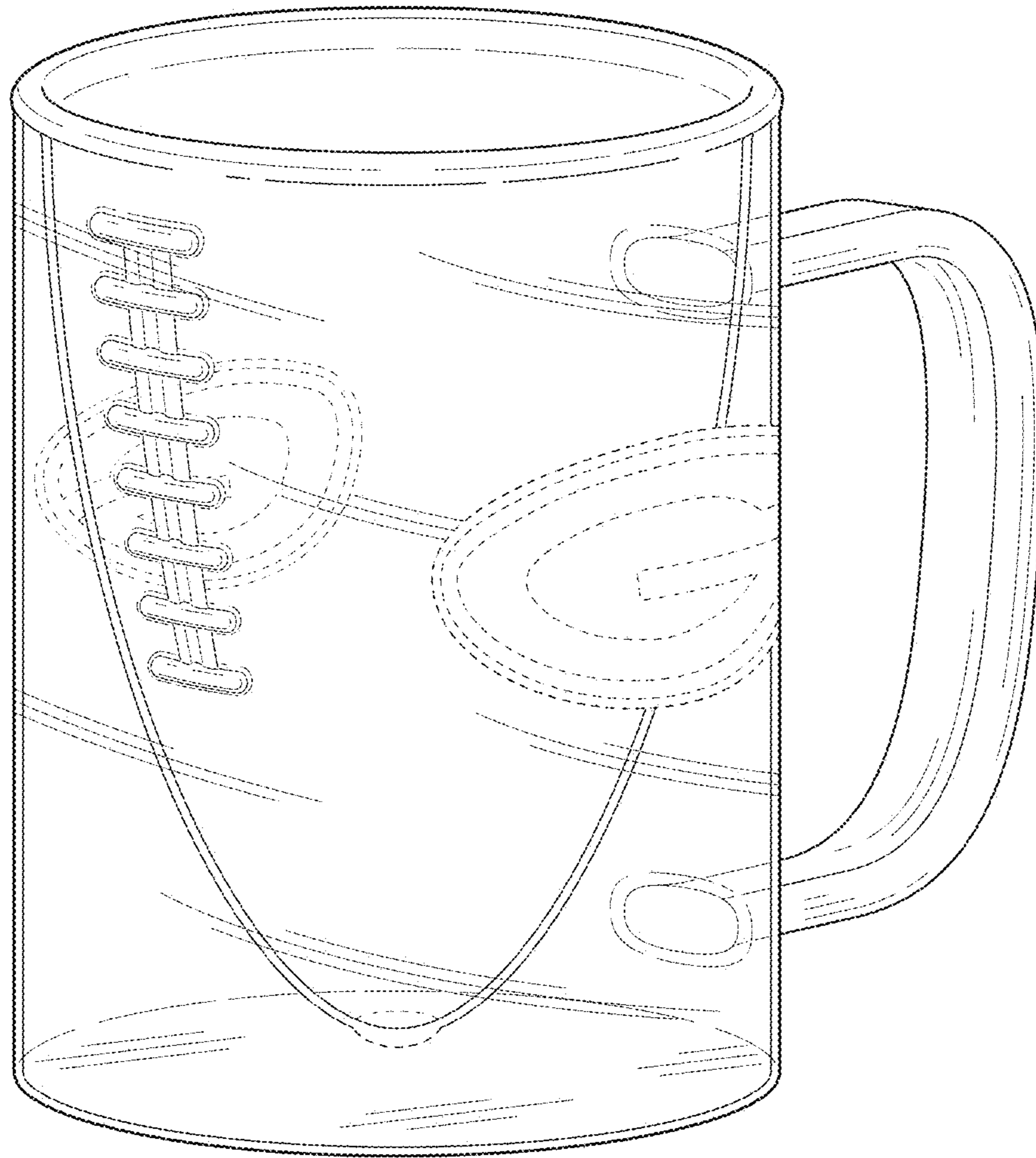


FIG. 14

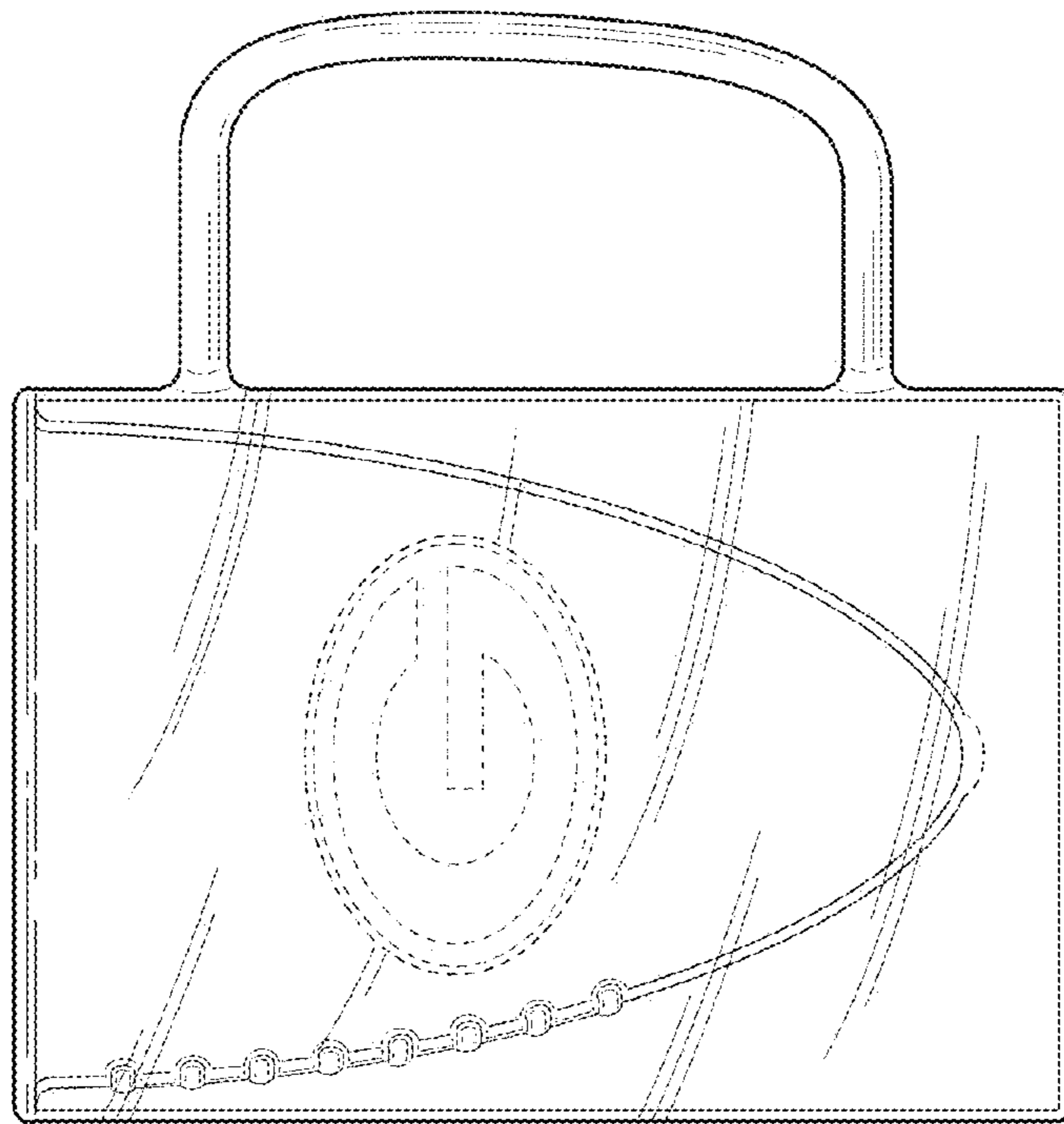


FIG. 15

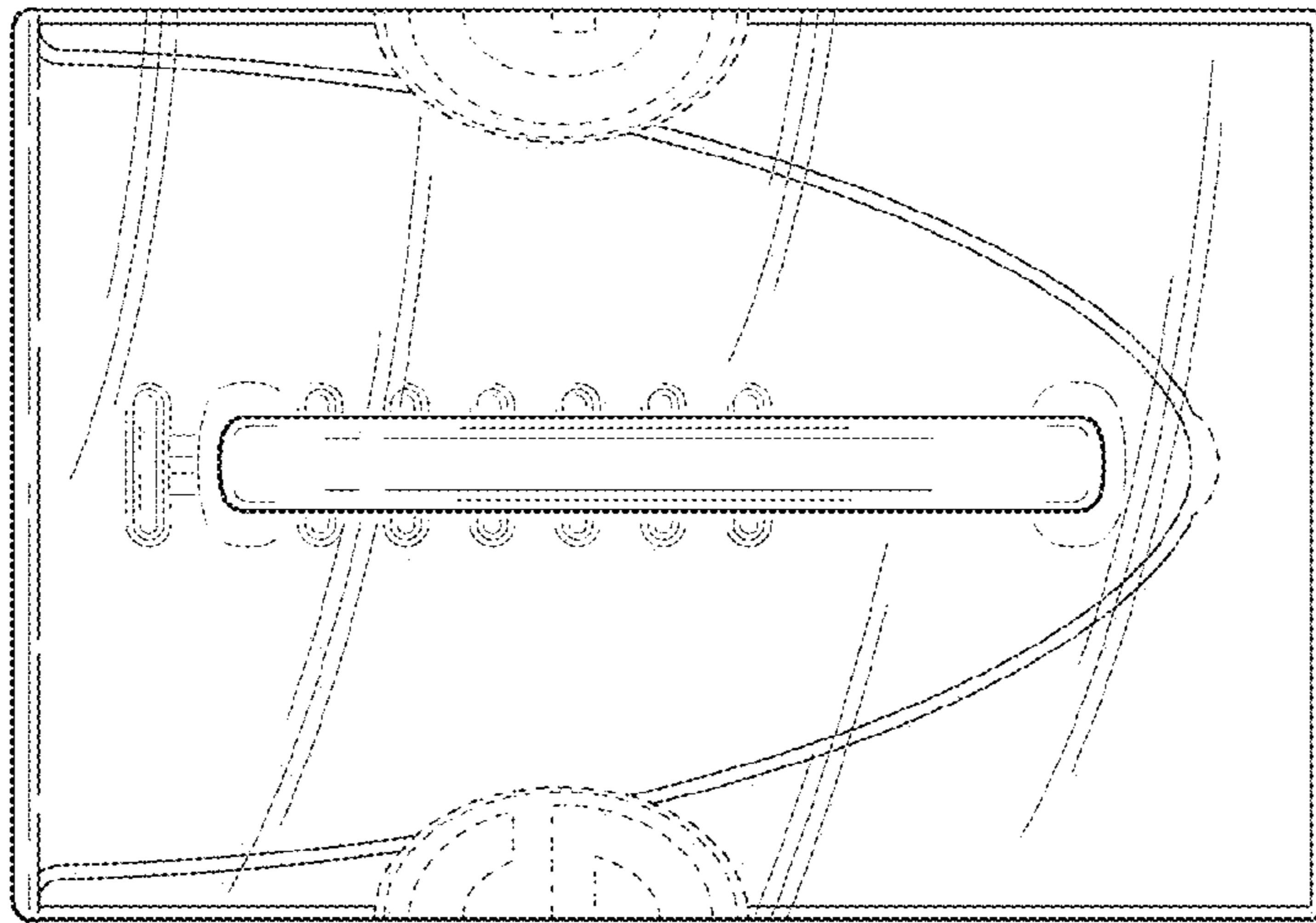


FIG. 17

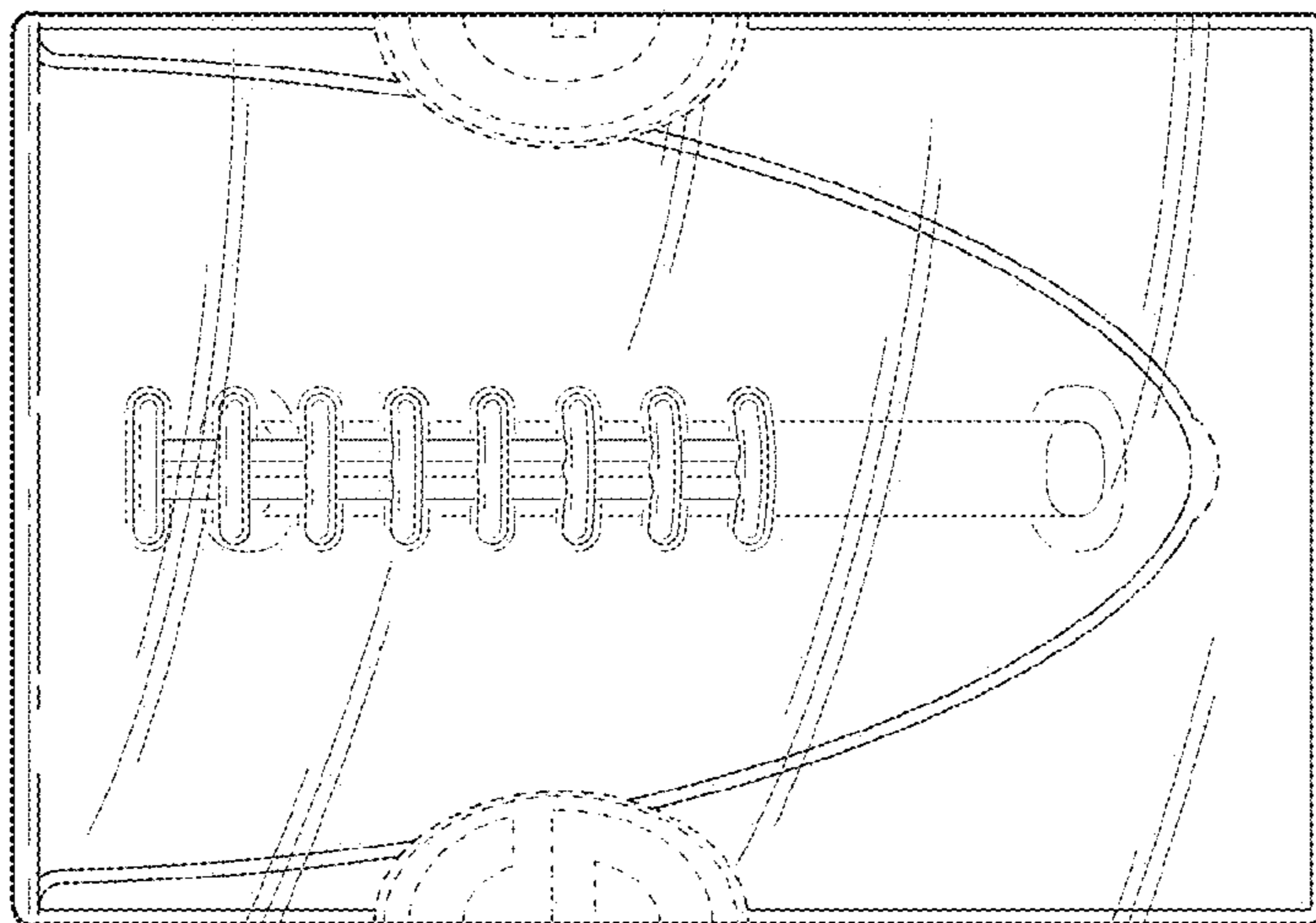


FIG. 16

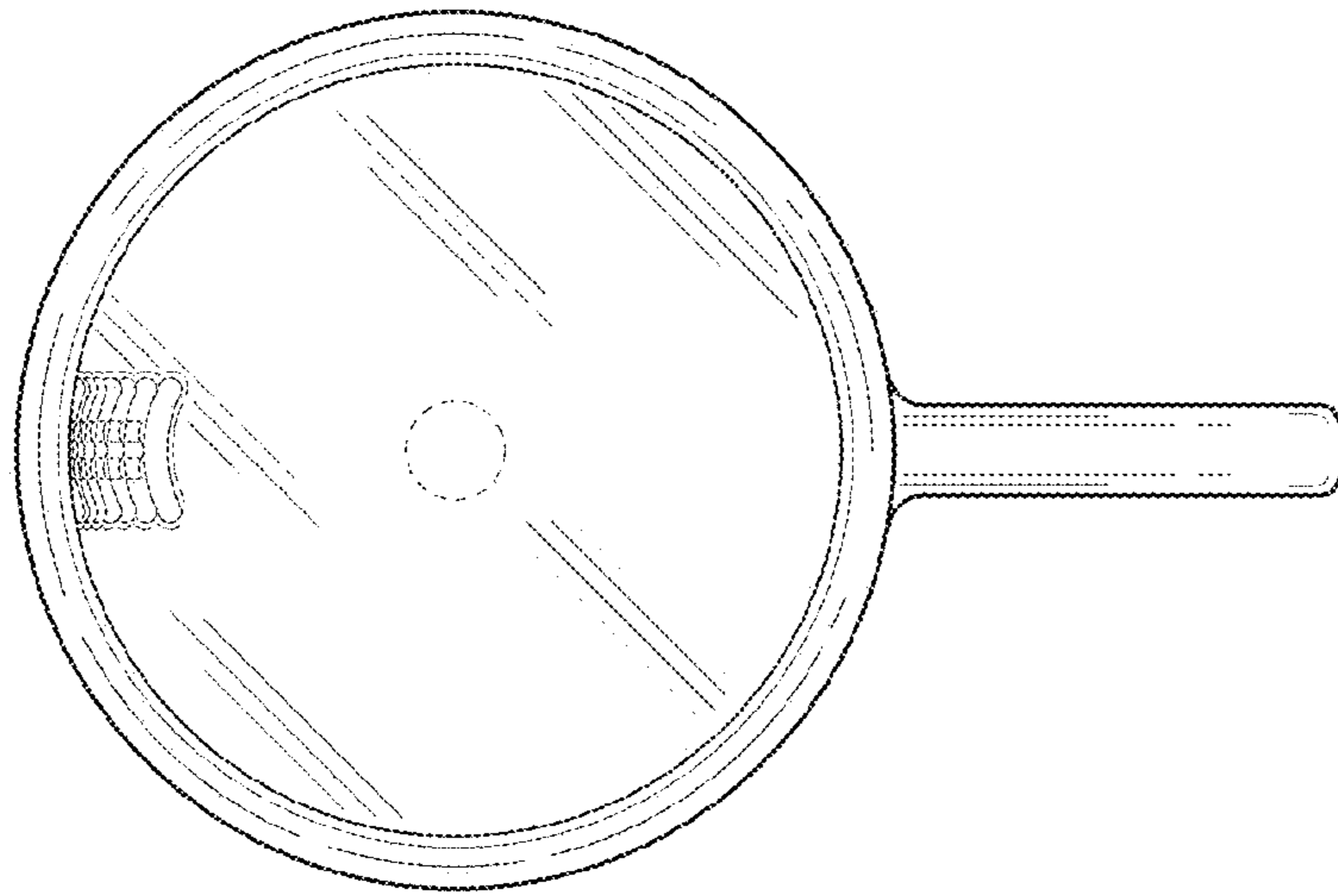


FIG. 18

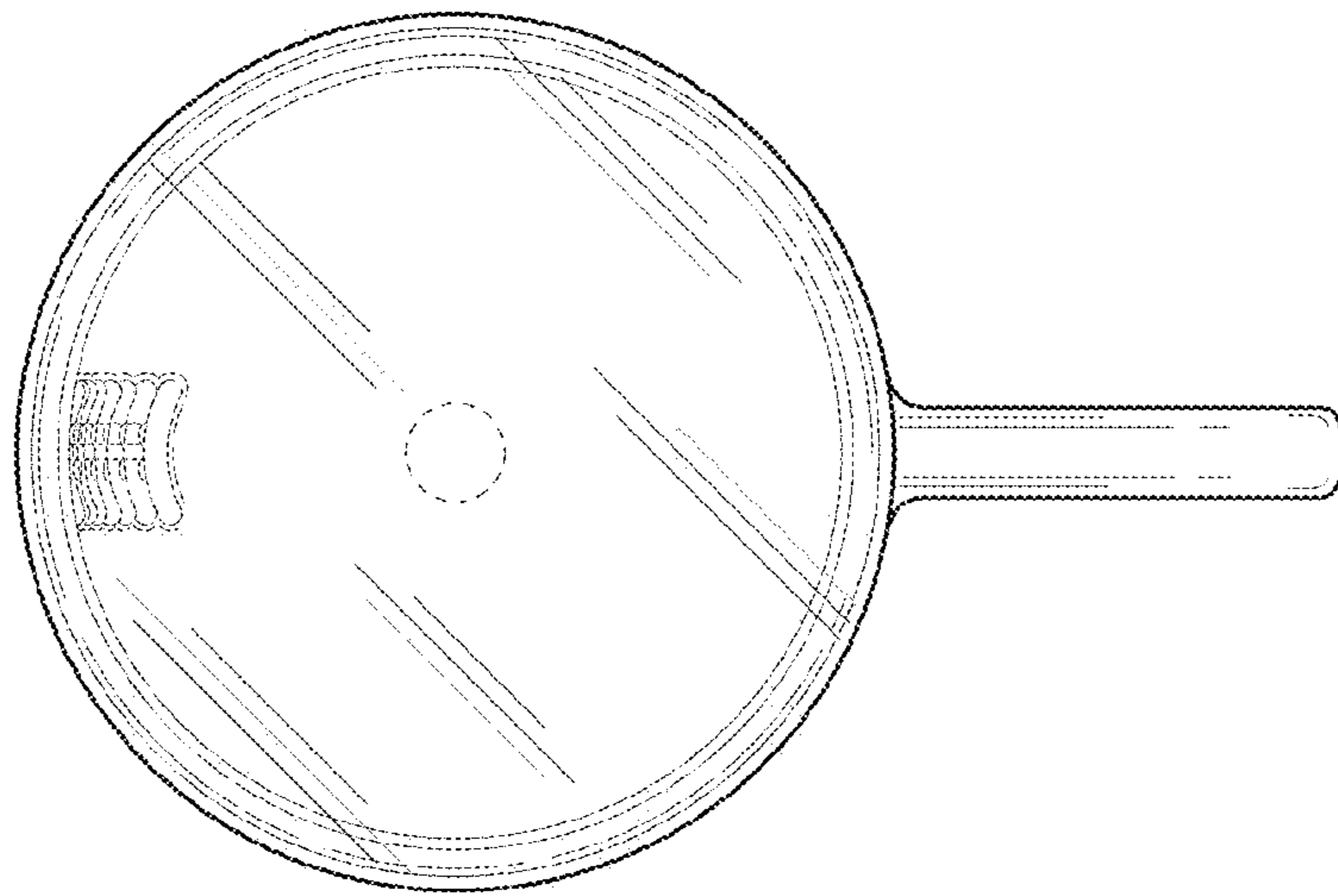


FIG. 19

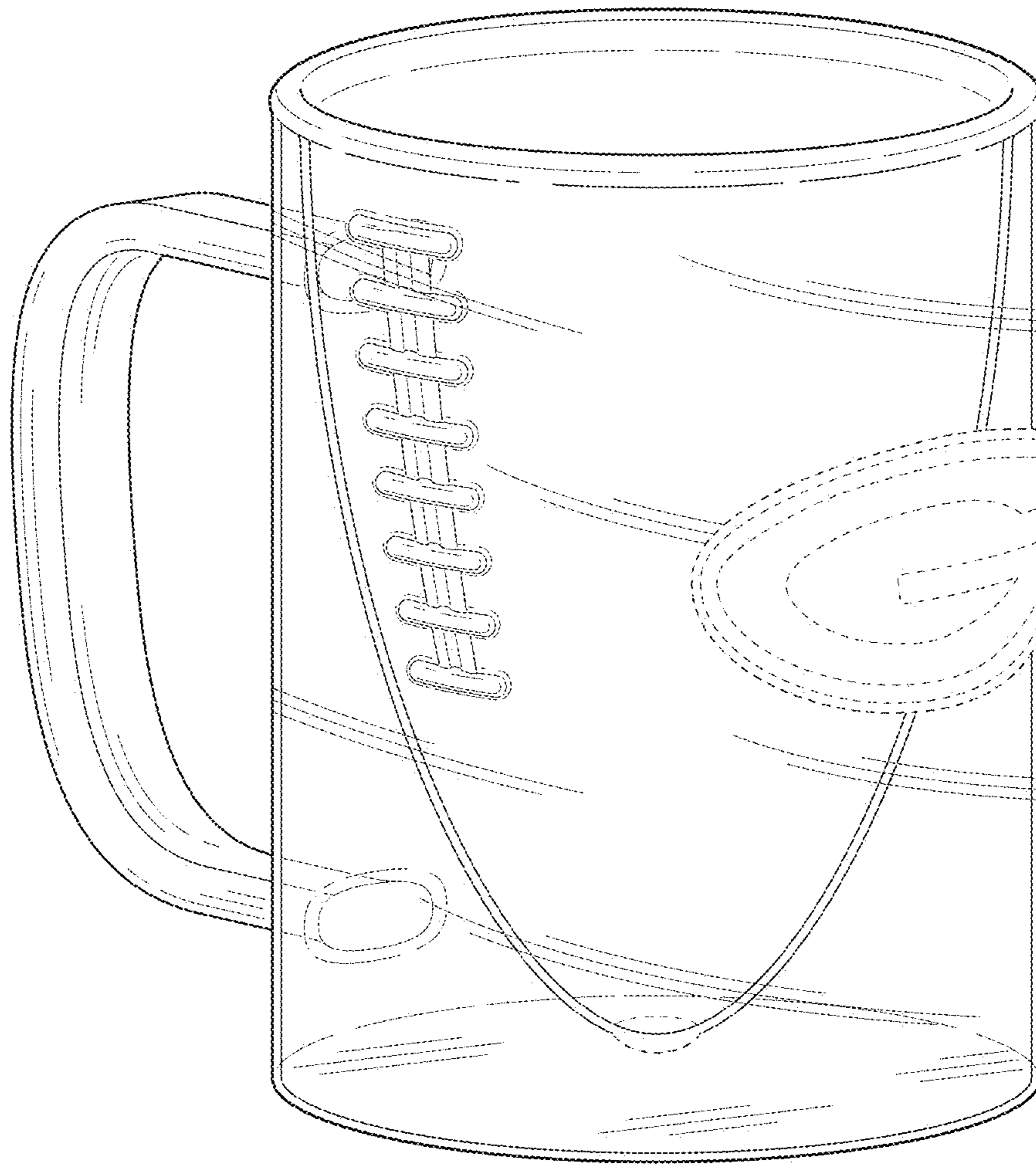


FIG. 20

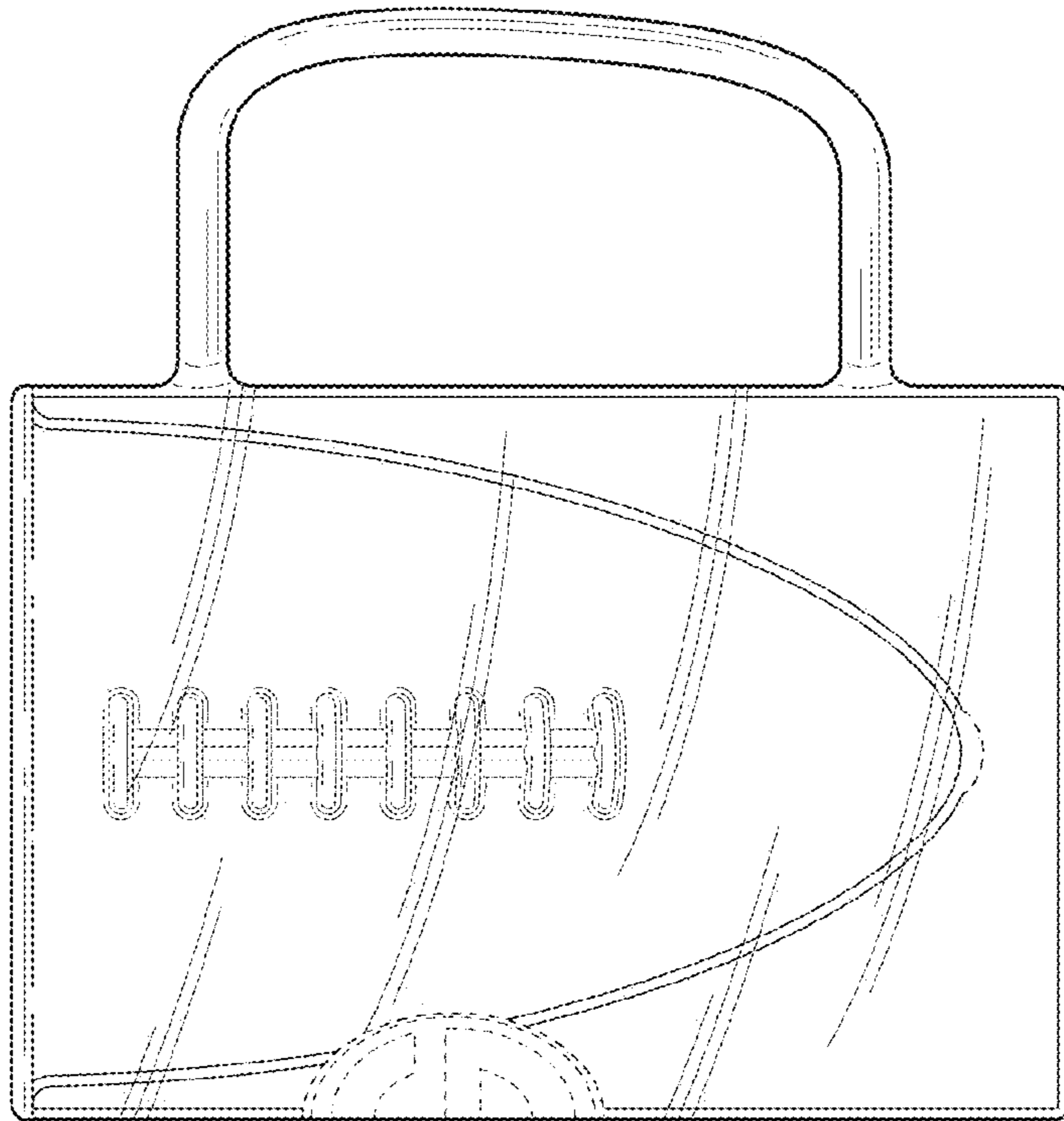


FIG. 22

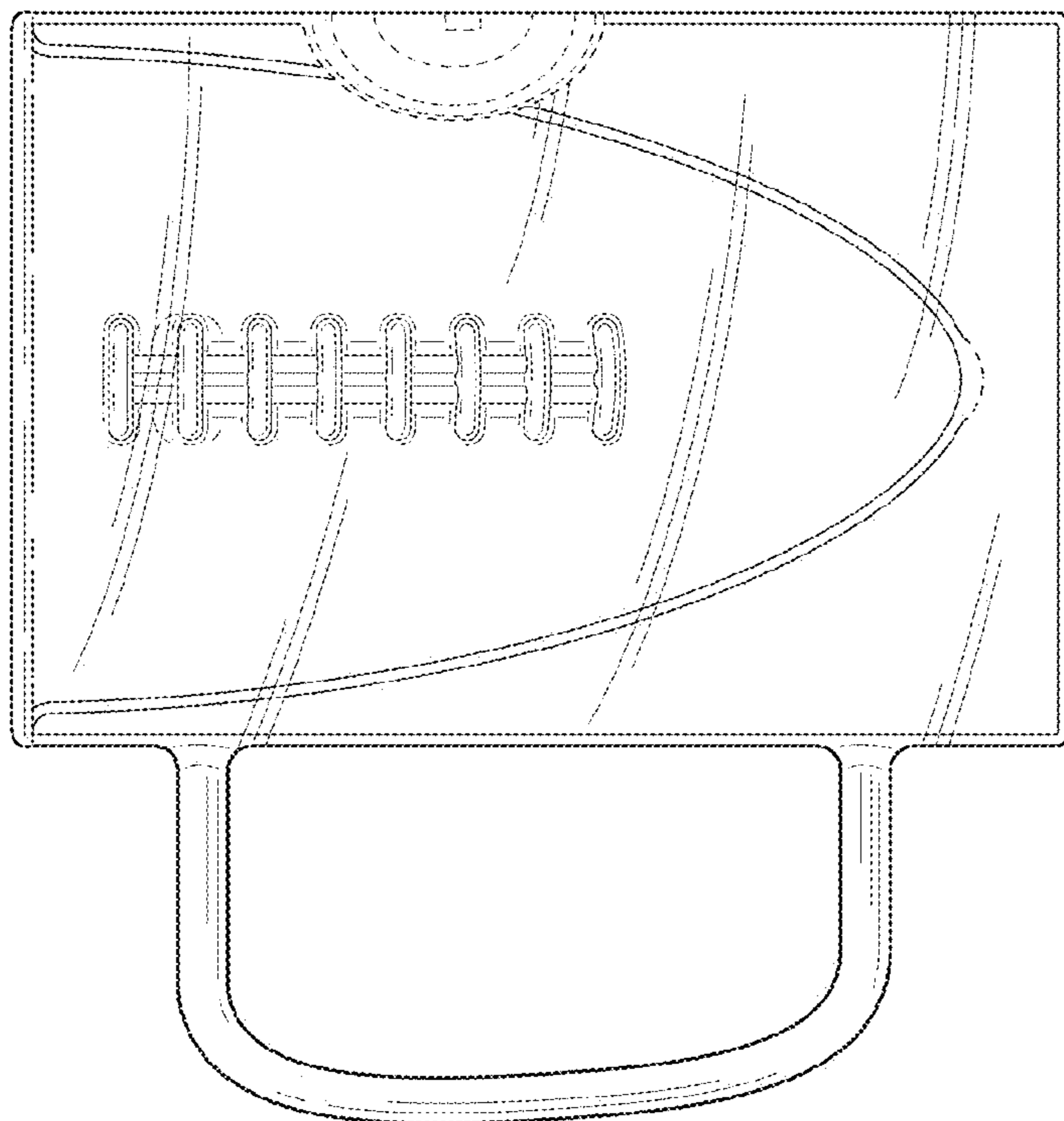


FIG. 21

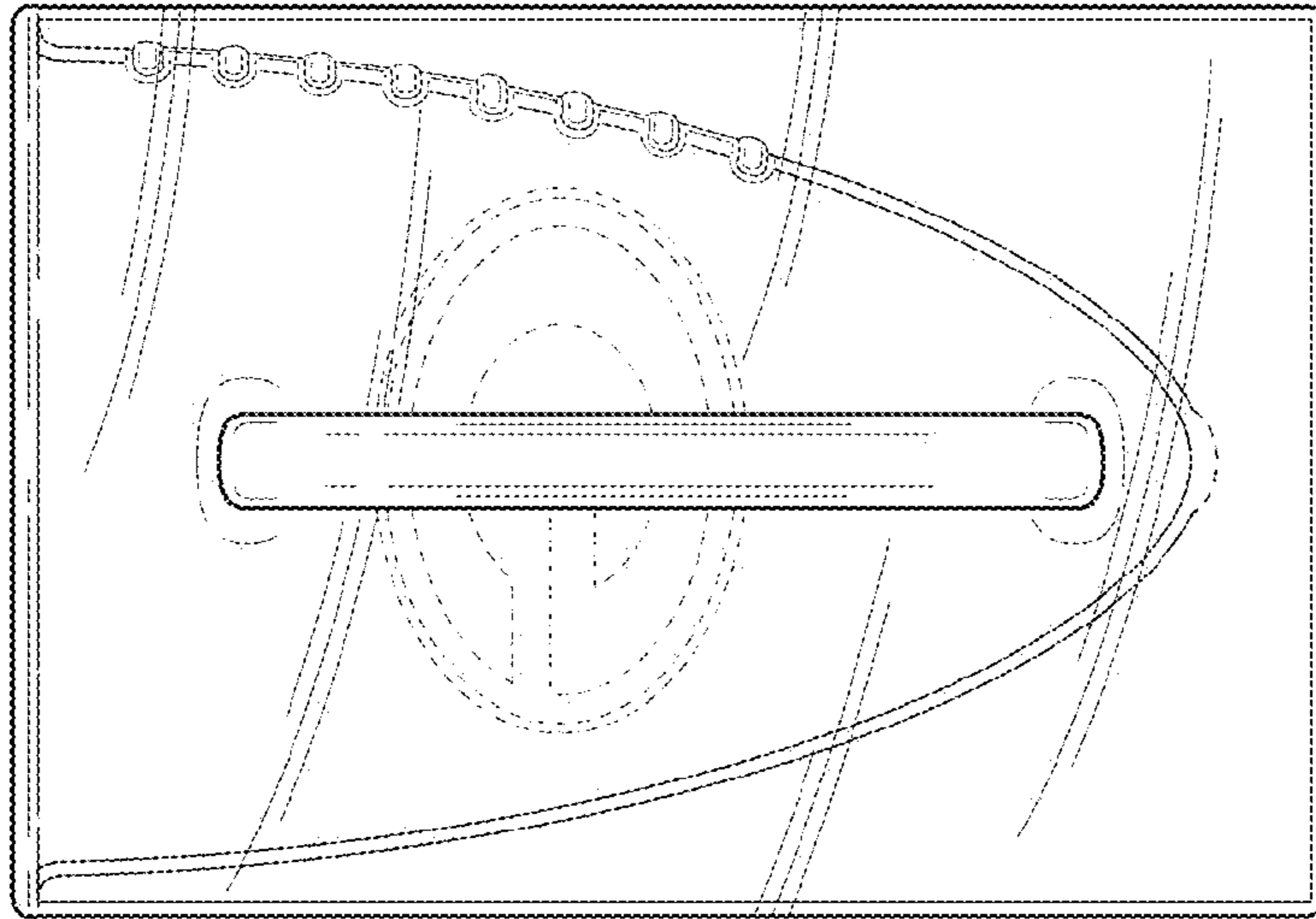


FIG. 24

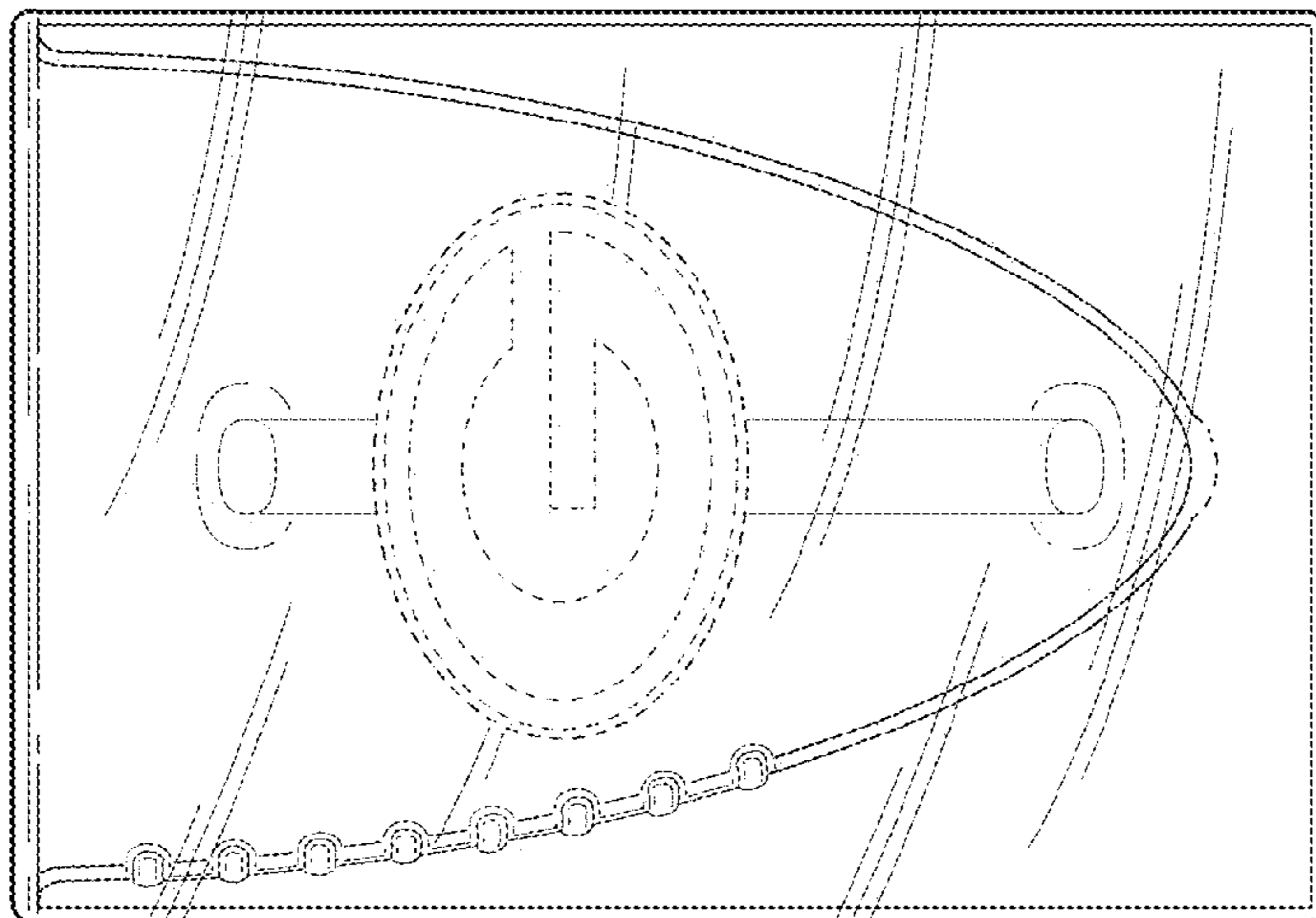


FIG. 23

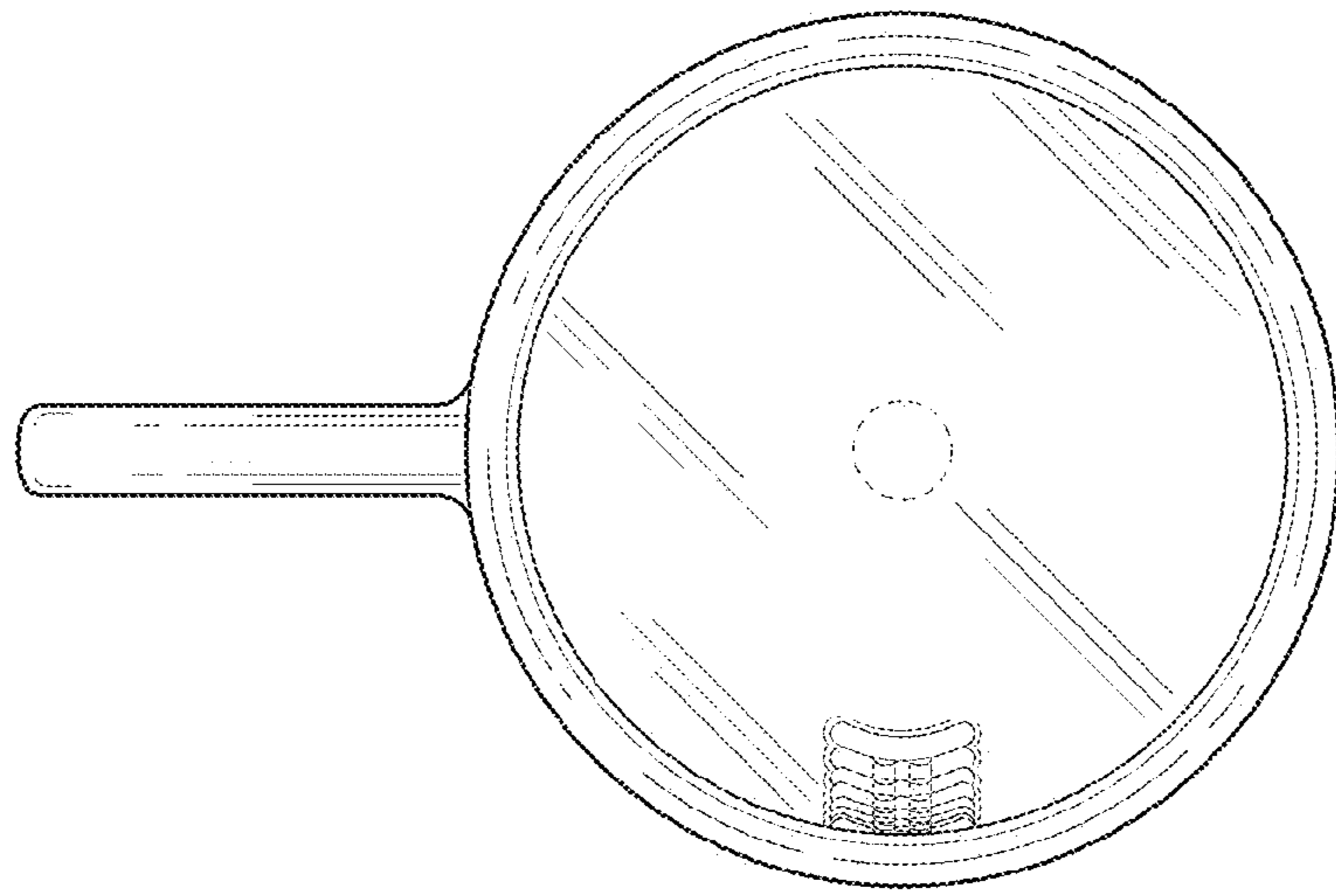


FIG. 25

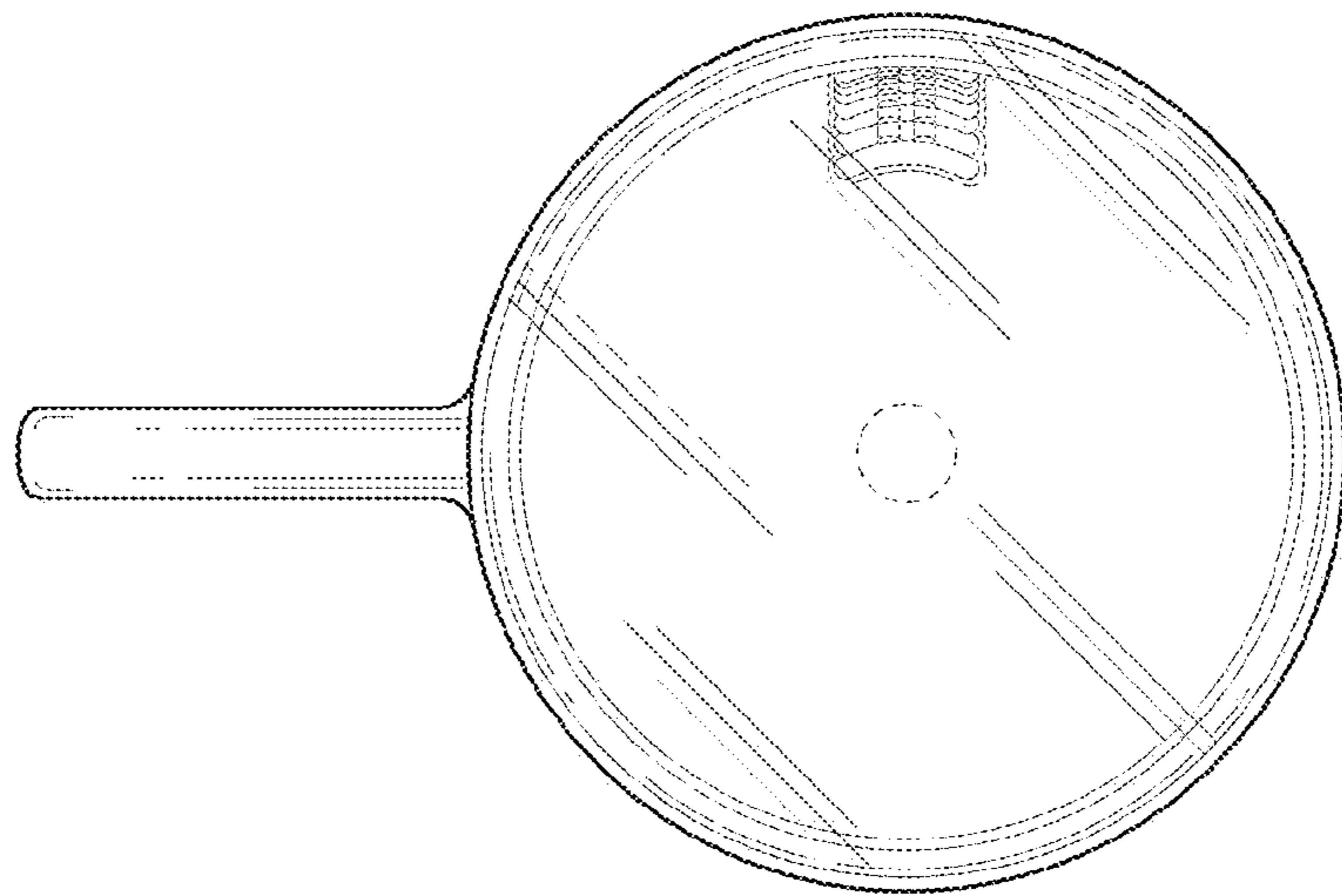


FIG. 26