



US00D684818S

(12) **United States Design Patent**
Lee

(10) **Patent No.:** **US D684,818 S**
(45) **Date of Patent:** **** Jun. 25, 2013**

(54) **BLENDING CONTAINER**
(71) Applicant: **Wen Ching Lee**, Taichung (TW)
(72) Inventor: **Wen Ching Lee**, Taichung (TW)
(**) Term: **14 Years**
(21) Appl. No.: **29/437,421**
(22) Filed: **Nov. 15, 2012**

(51) **LOC (9) Cl.** **31-00**
(52) **U.S. Cl.**
USPC **D7/413; D7/376; D7/378; D7/412**

(58) **Field of Classification Search**
USPC D7/301-313, 316-319, 356-357,
D7/368, 372-386, 391-398, 412-415, 503,
D7/515, 665, 607, 679, 691-693; 99/326,
99/348, 492-495, 508-512; 241/30-37.5,
241/91, 101.01-101.2, 166-169.1, 172, 272,
241/285.1-285.3, 291, 292.1; 366/64-67,
366/98, 129, 142-144, 192-211, 241-254,
366/262, 279-292, 325.8, 325.92, 341-347;
416/75-77, 70 R, 163
See application file for complete search history.

(56) **References Cited**

U.S. PATENT DOCUMENTS

D400,048 S * 10/1998 Ollson D7/378
D424,371 S * 5/2000 Delmonte D7/607

D480,915 S * 10/2003 Kolar et al. D7/413
6,854,876 B2 * 2/2005 Dickson, Jr. 366/205
D528,363 S * 9/2006 Ulanski et al. D7/413
D538,595 S * 3/2007 White et al. D7/413
D583,190 S * 12/2008 Christou D7/378
D588,406 S * 3/2009 Ulanski D7/413
7,712,951 B2 * 5/2010 Bohannon et al. 366/205
D621,656 S * 8/2010 Ulanski et al. D7/413
D647,367 S * 10/2011 Audette et al. D7/413
D661,947 S * 6/2012 Conti et al. D7/413
D662,359 S * 6/2012 Boozer et al. D7/413

* cited by examiner

Primary Examiner — Ricky Pham

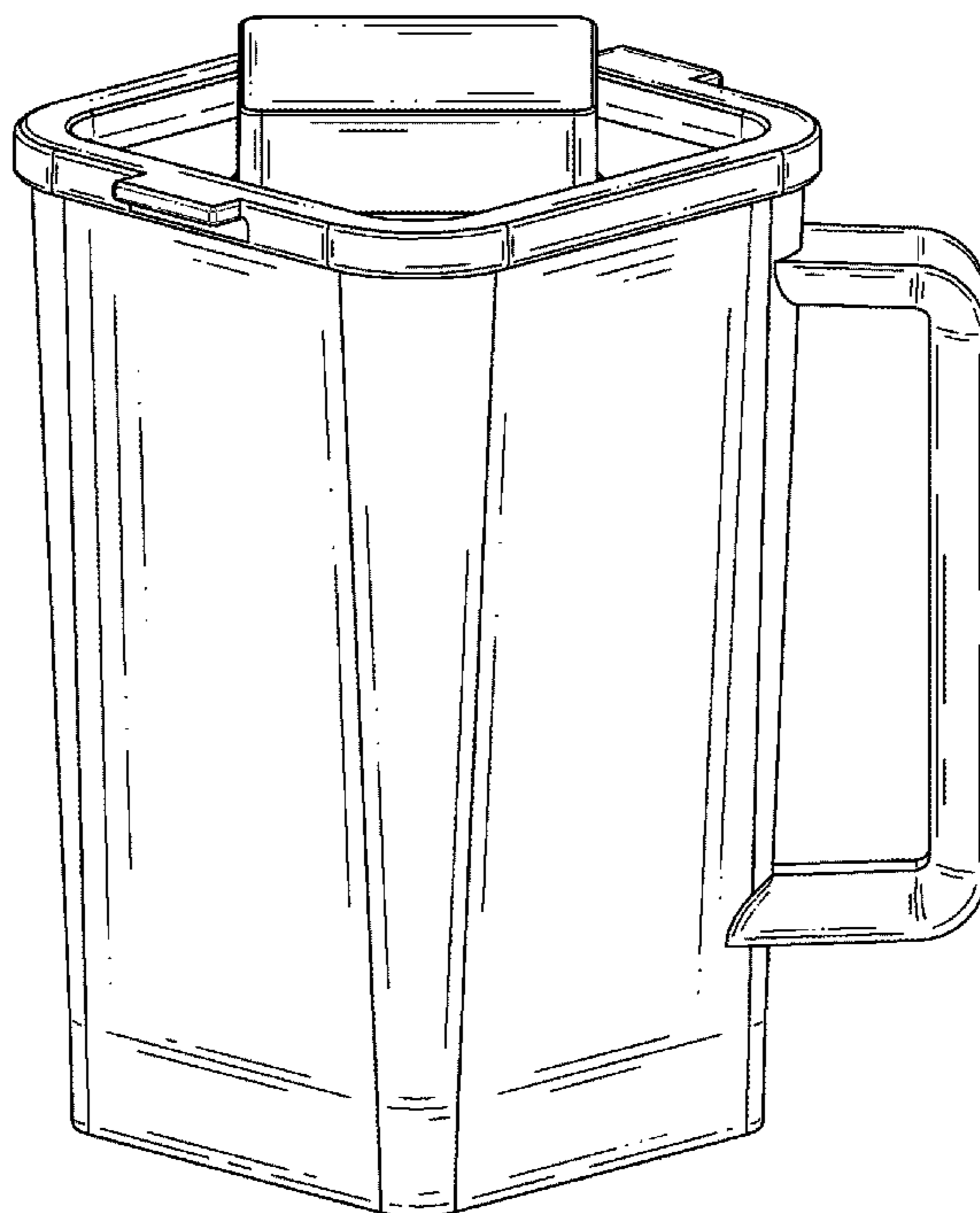
(57) **CLAIM**

The ornamental design for a blending container, as shown and described.

DESCRIPTION

FIG. 1 is a perspective view of a blending container showing my new design;
FIG. 2 is a left side view thereof;
FIG. 3 is a right side view thereof;
FIG. 4 is a front view thereof;
FIG. 5 is a rear view thereof;
FIG. 6 is a top plan view thereof; and,
FIG. 7 is a bottom plan view thereof.

1 Claim, 7 Drawing Sheets



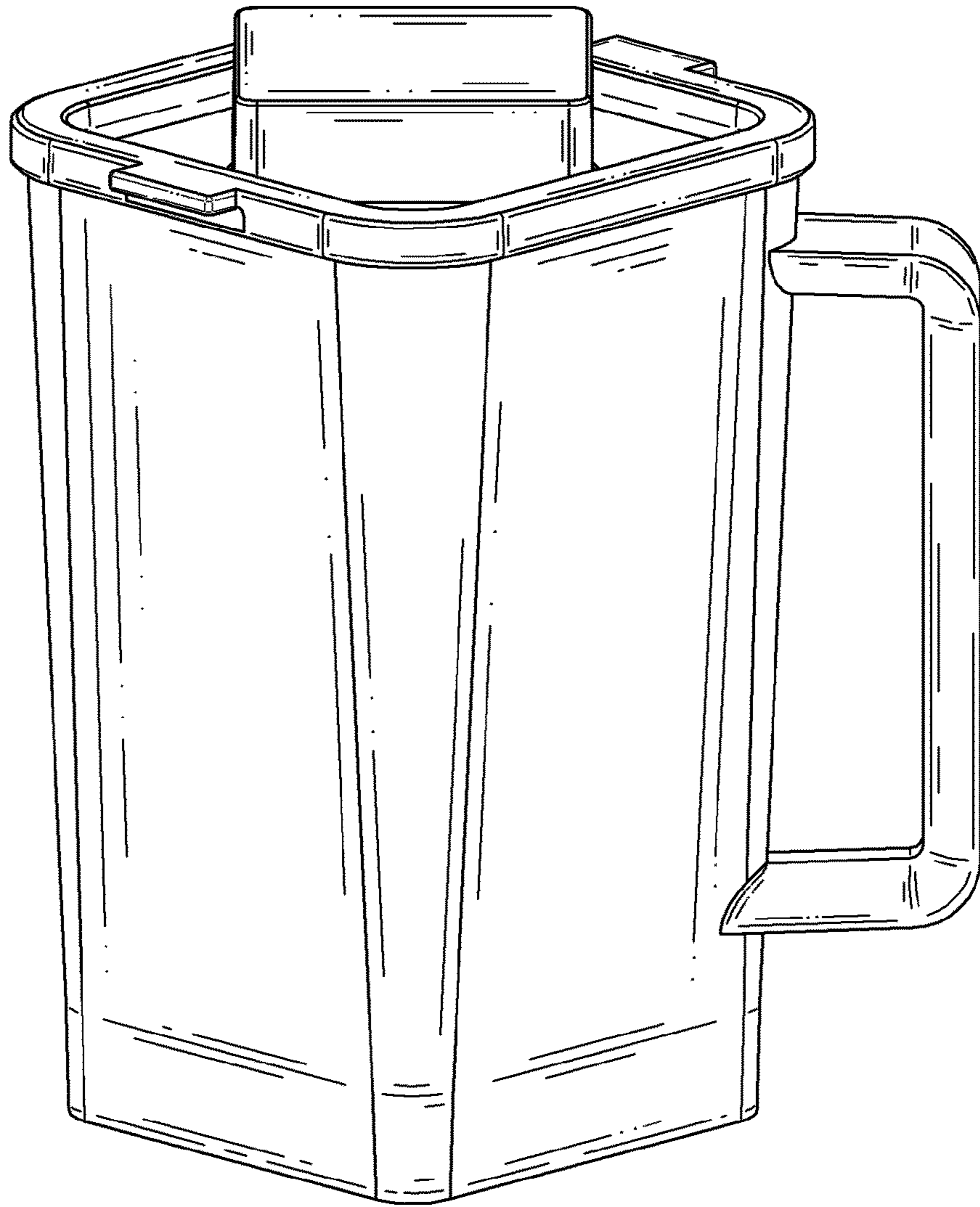


FIG. 1

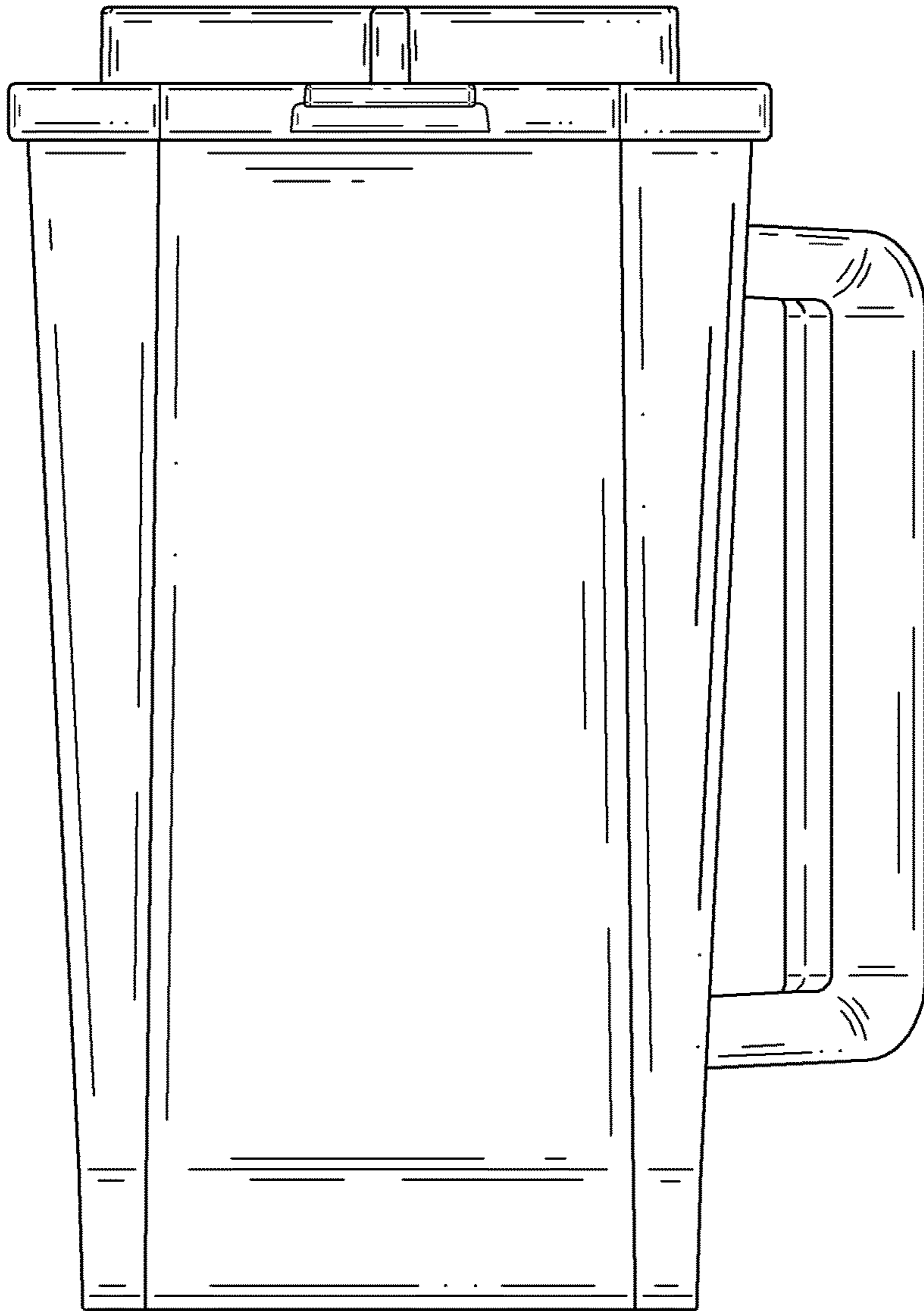


FIG. 2

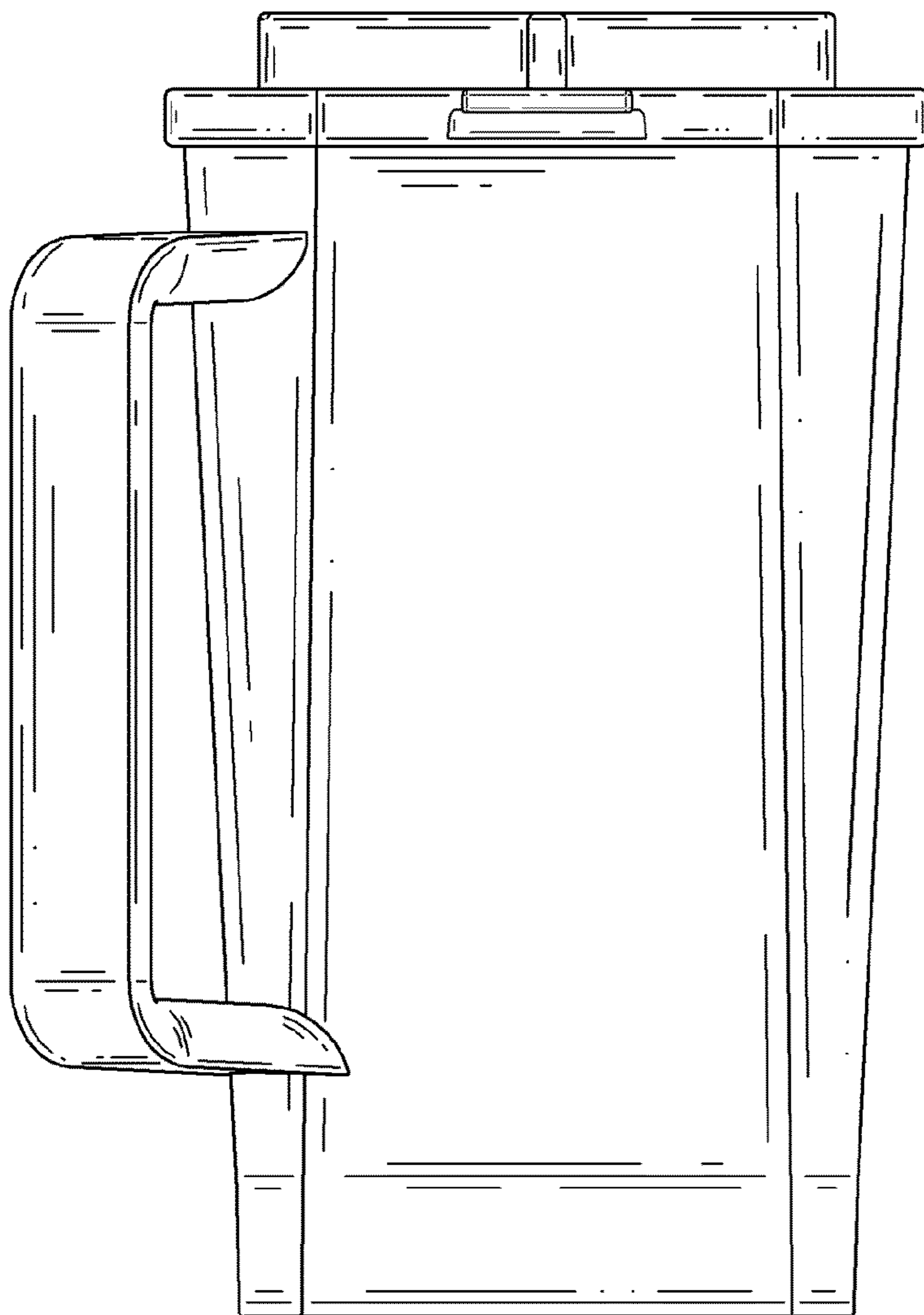


FIG. 3

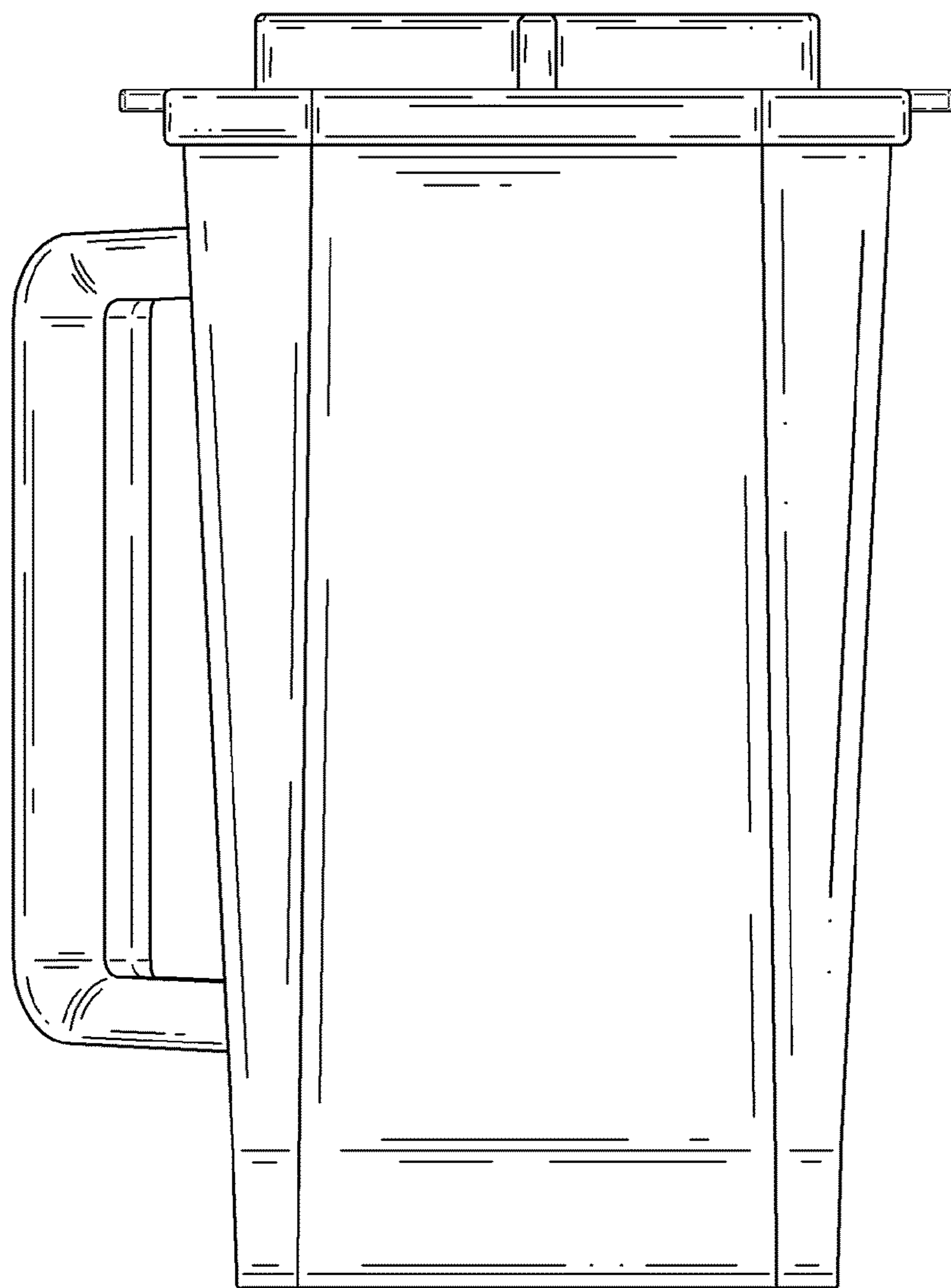


FIG. 4

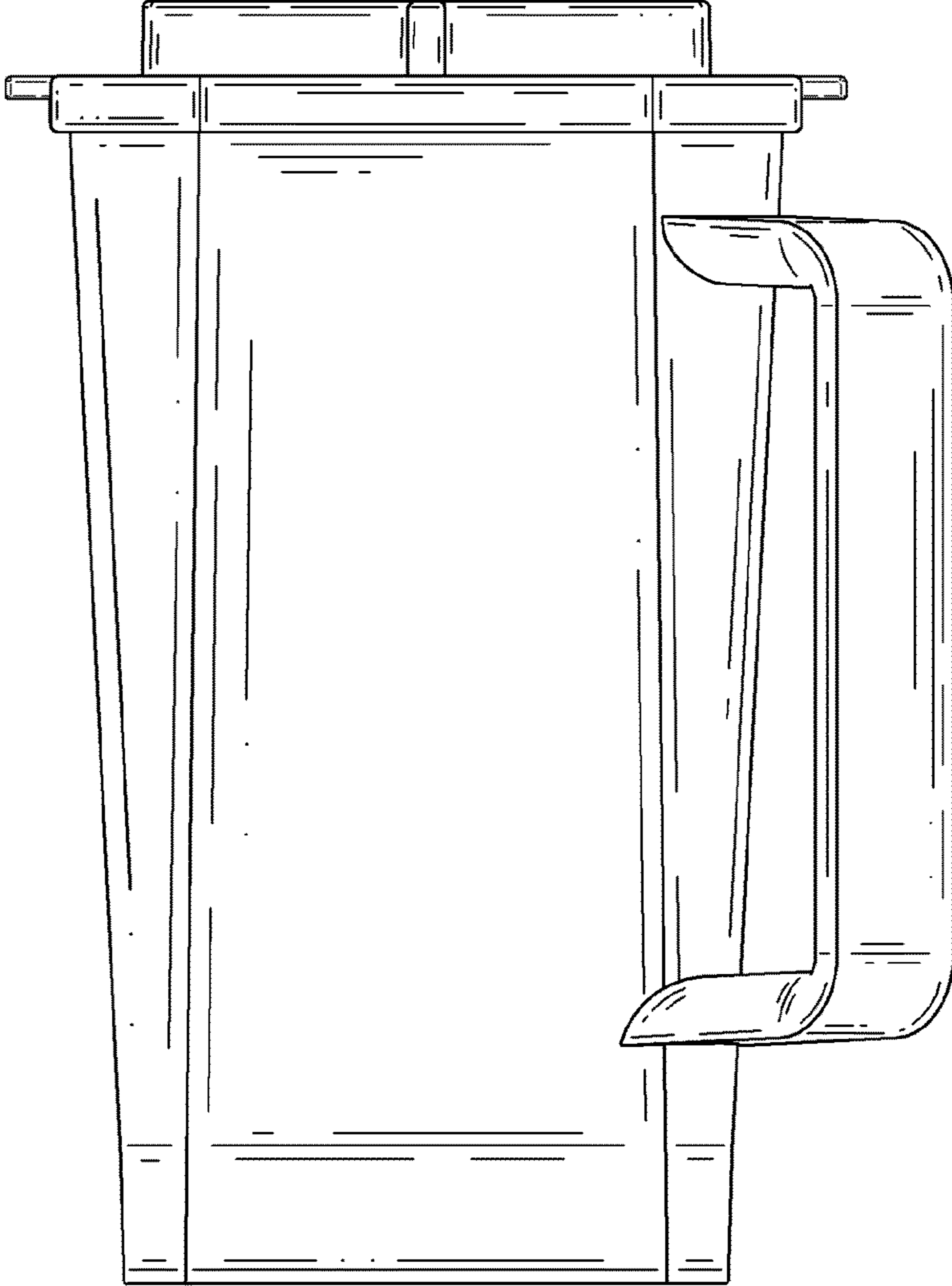


FIG. 5

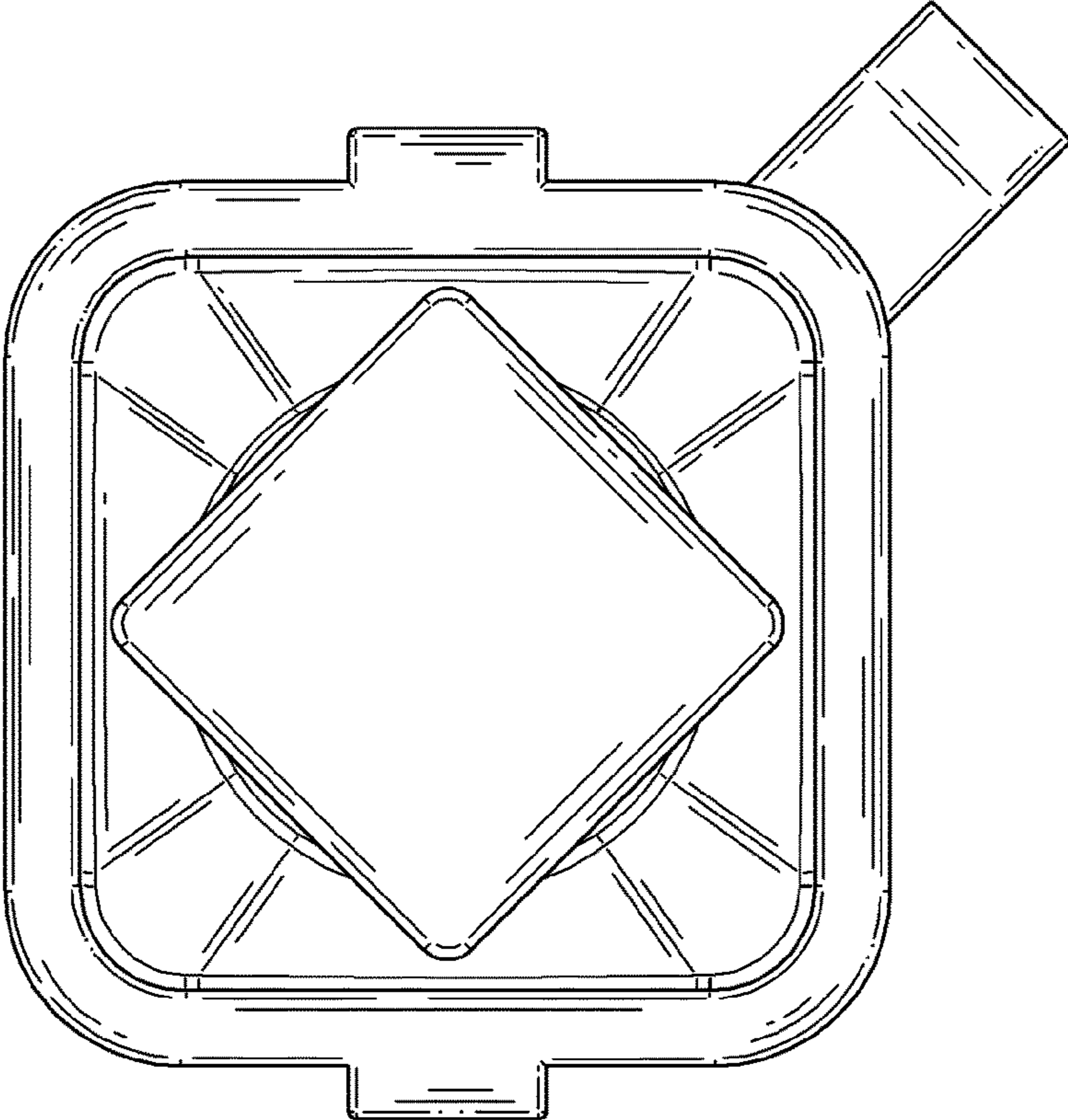


FIG. 6

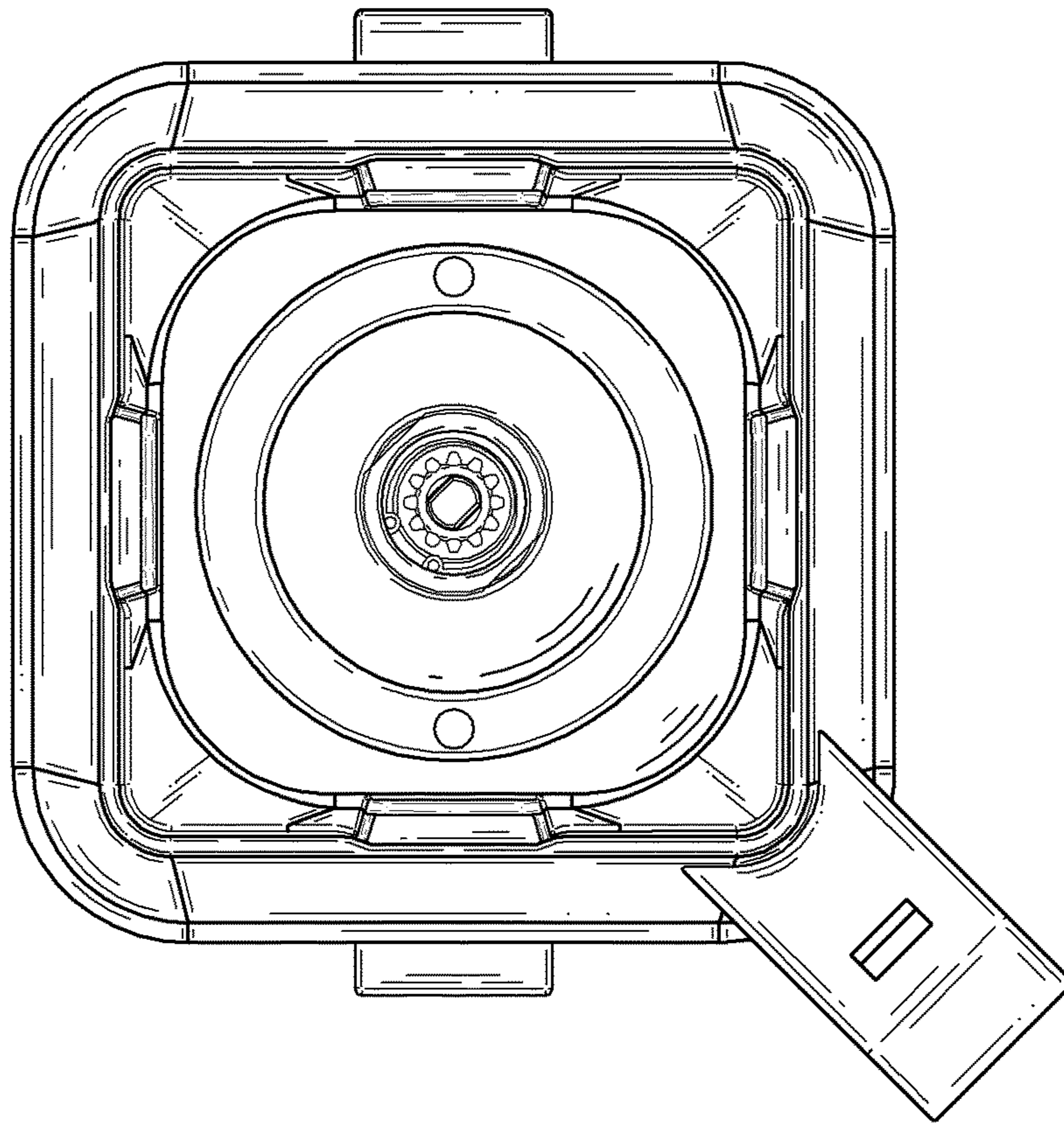


FIG. 7