



US00D684817S

(12) **United States Design Patent**
Leavitt

(10) **Patent No.:** **US D684,817 S**
(45) **Date of Patent:** **** Jun. 25, 2013**

(54) **BLADE ASSEMBLY**
(76) Inventor: **Gary Leavitt**, North Salt Lake, UT (US)
(**) Term: **14 Years**
(21) Appl. No.: **29/414,305**
(22) Filed: **Feb. 27, 2012**
(51) **LOC (9) Cl.** **07-02**
(52) **U.S. Cl.**
USPC **D7/412**
(58) **Field of Classification Search**
USPC D7/301-313, 316-319, 356-357,
D7/368, 372-386, 391-398, 412-415, 515,
D7/665, 679, 691; 99/326, 348, 492, 508-512;
241/30-37.5, 101.01-101.2, 166-169.1,
241/199.12, 282.1, 285.1-285.3, 291, 292.1,
241/294; 366/64-67, 98, 129, 142-144,
197-211, 241-254, 262, 279-292, 314, 325.8,
366/325.92, 341-347; 416/75-77, 70 R,
416/163
See application file for complete search history.

3,139,917 A * 7/1964 Elmore 241/199.12
3,216,473 A * 11/1965 Dewenter 241/167
4,149,271 A * 4/1979 Uibel et al. 366/314
D433,282 S * 11/2000 Bohannon et al. D7/412
6,834,818 B2 * 12/2004 Lee 241/292.1
7,641,380 B2 * 1/2010 Behar et al. 366/205
D624,359 S * 9/2010 Schleizer D7/412
8,132,752 B1 * 3/2012 Hotaling et al. 241/282.1
2002/0139884 A1 * 10/2002 Williams et al. 241/282.1
2008/0198691 A1 * 8/2008 Behar et al. 366/205

* cited by examiner

Primary Examiner — Ricky Pham
(74) *Attorney, Agent, or Firm* — Legends Law Group, PLLC; Stephen H. Bean, Esq.

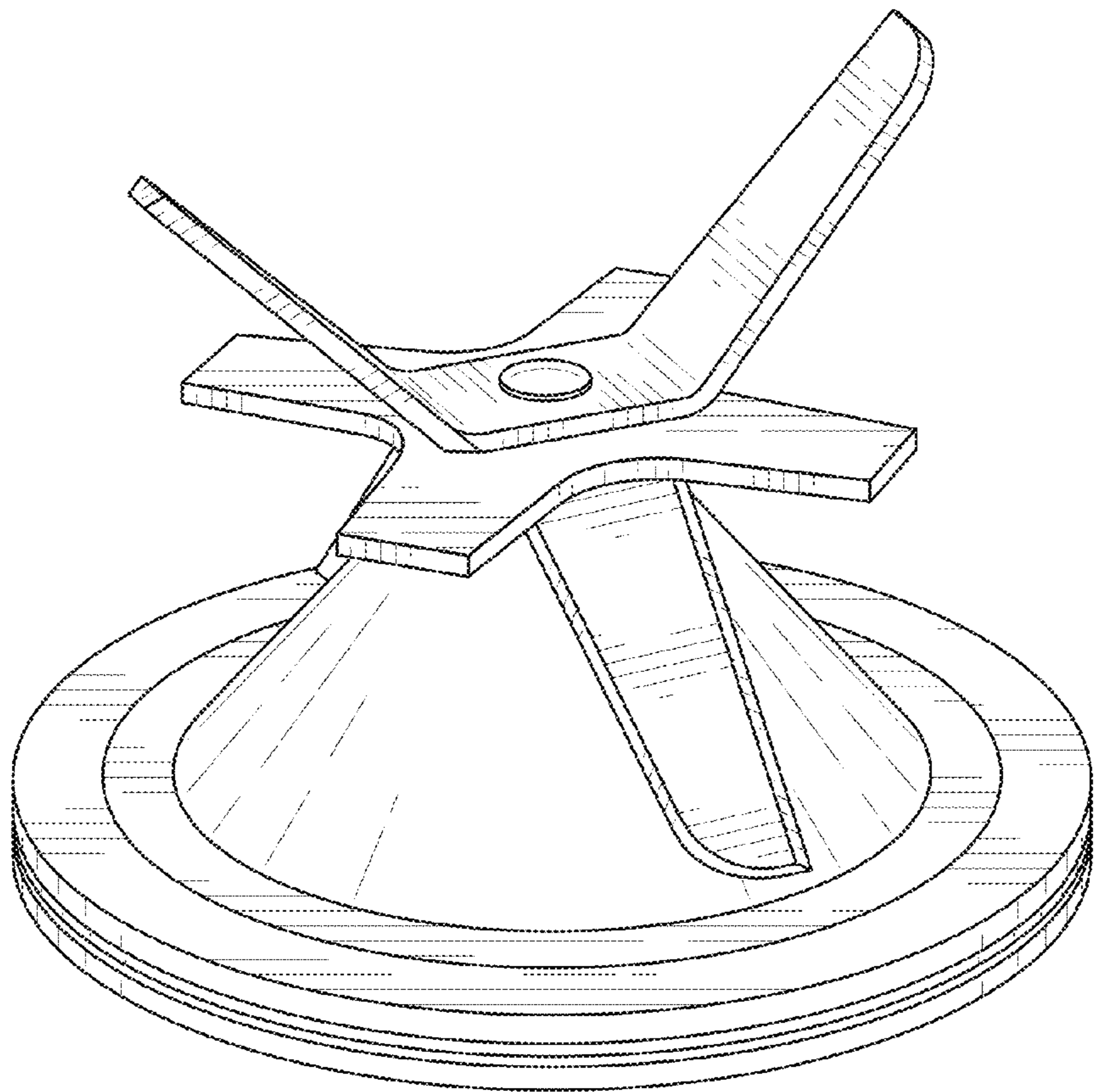
(57) **CLAIM**
I claim the ornamental design for a blade assembly, as shown and described.

DESCRIPTION

FIG. 1 is a top plan view of a blade assembly showing my new design;
FIG. 2 is a side view thereof; and,
FIG. 3 is a top-right perspective view thereof.
Throughout the various figures of the drawings, certain views may not be provided. The omission of a particular view is intended to convey that the element(s) depicted is/are plain and unornamented in that omitted view, or that the particular ornamental appearance in that view is simply not claimed.

1 Claim, 2 Drawing Sheets

(56) **References Cited**
U.S. PATENT DOCUMENTS
2,702,571 A * 2/1955 Murray 241/294
2,897,862 A * 8/1959 Malz et al. 241/199.12
3,036,614 A * 5/1962 Knapp 241/292.1



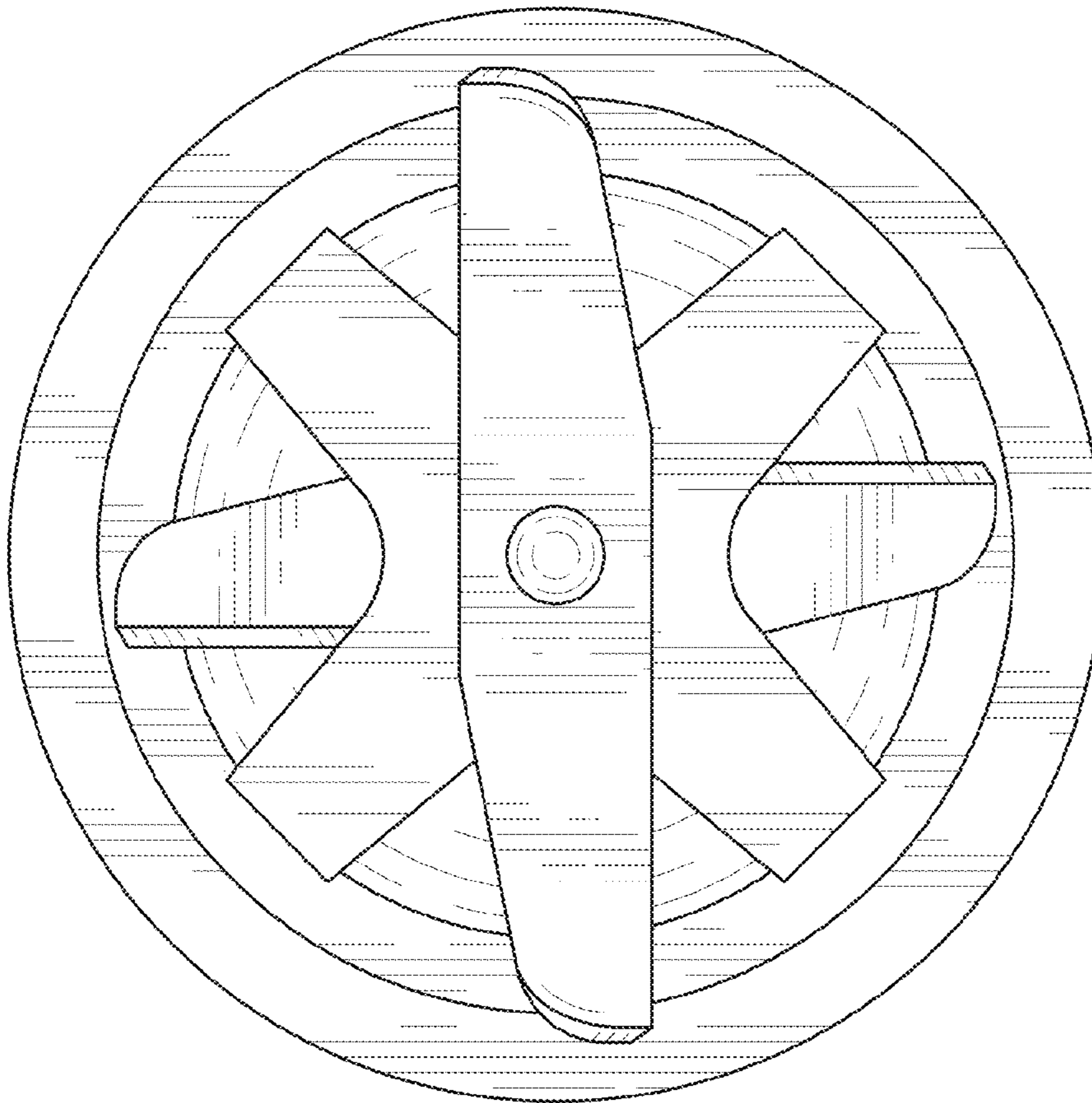


FIG. 1

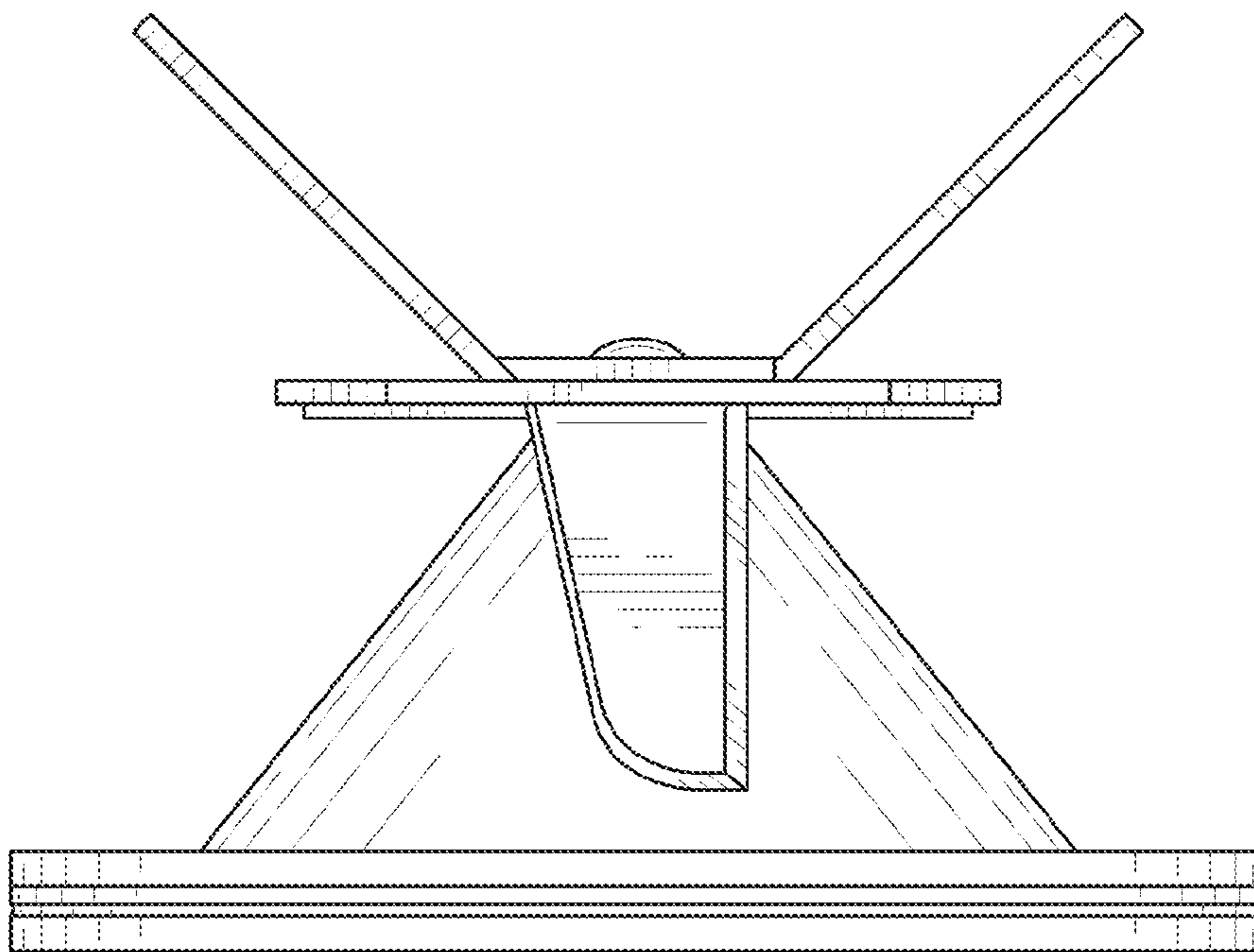


FIG. 2

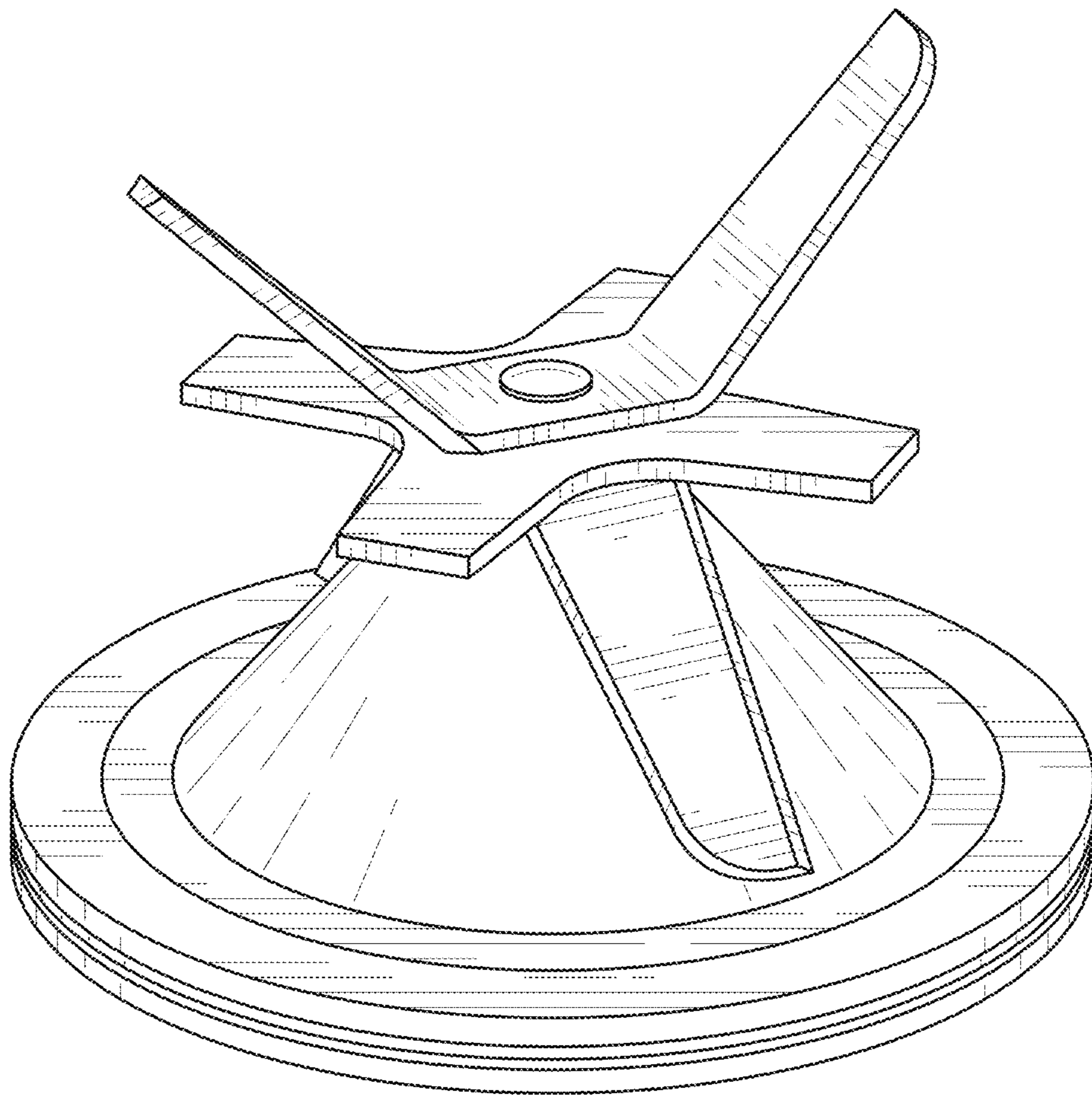


FIG. 3