



US00D684816S

(12) **United States Design Patent**  
**Chen**

(10) **Patent No.:** **US D684,816 S**

(45) **Date of Patent:** **\*\* Jun. 25, 2013**

- (54) **COVER FOR A SERVING DISH**
- (75) Inventor: **Rui Yuan Chen**, Oxford (GB)
- (73) Assignee: **Dart Industries Inc.**, Orlando, FL (US)
- (\*\*) Term: **14 Years**
- (21) Appl. No.: **29/395,899**
- (22) Filed: **Apr. 18, 2012**
- (51) **LOC (9) Cl.** ..... **07-02**
- (52) **U.S. Cl.**  
USPC ..... **D7/392.1**
- (58) **Field of Classification Search**  
USPC ..... D7/391, 392, 392.1, 505, 538, 542,  
D7/543, 545; D9/435, 447, 449, 452, 453,  
D9/454; 220/200, 212.5, 287, 315, 369, 380,  
220/522, 784, 799, 810; 206/501, 502; 222/545,  
222/566  
See application file for complete search history.

D370,598 S	6/1996	Koch	
5,613,618 A *	3/1997	Raoult	220/369
D405,561 S	2/1999	Willinger	
D412,266 S	7/1999	Kerr	
D433,878 S	11/2000	Joergensen	
D476,851 S *	7/2003	Wuestman	D7/542
D477,970 S	8/2003	Thonis	
D480,600 S	10/2003	Lillelund et al.	
D480,604 S	10/2003	Lillelund et al.	
D499,936 S	12/2004	Wiedmeyer et al.	
D508,822 S	8/2005	Smith et al.	
D520,303 S	5/2006	Hayes et al.	
D535,153 S	1/2007	Eide et al.	
D550,030 S *	9/2007	Peterson	D7/392.1
D563,718 S	3/2008	Lion et al.	
D571,156 S	6/2008	Gartz et al.	

\* cited by examiner

*Primary Examiner* — Susan E Krakower

(74) *Attorney, Agent, or Firm* — John A. Doninger

(57) **CLAIM**

The ornamental design for a cover for a serving dish, as shown and described.

(56) **References Cited**

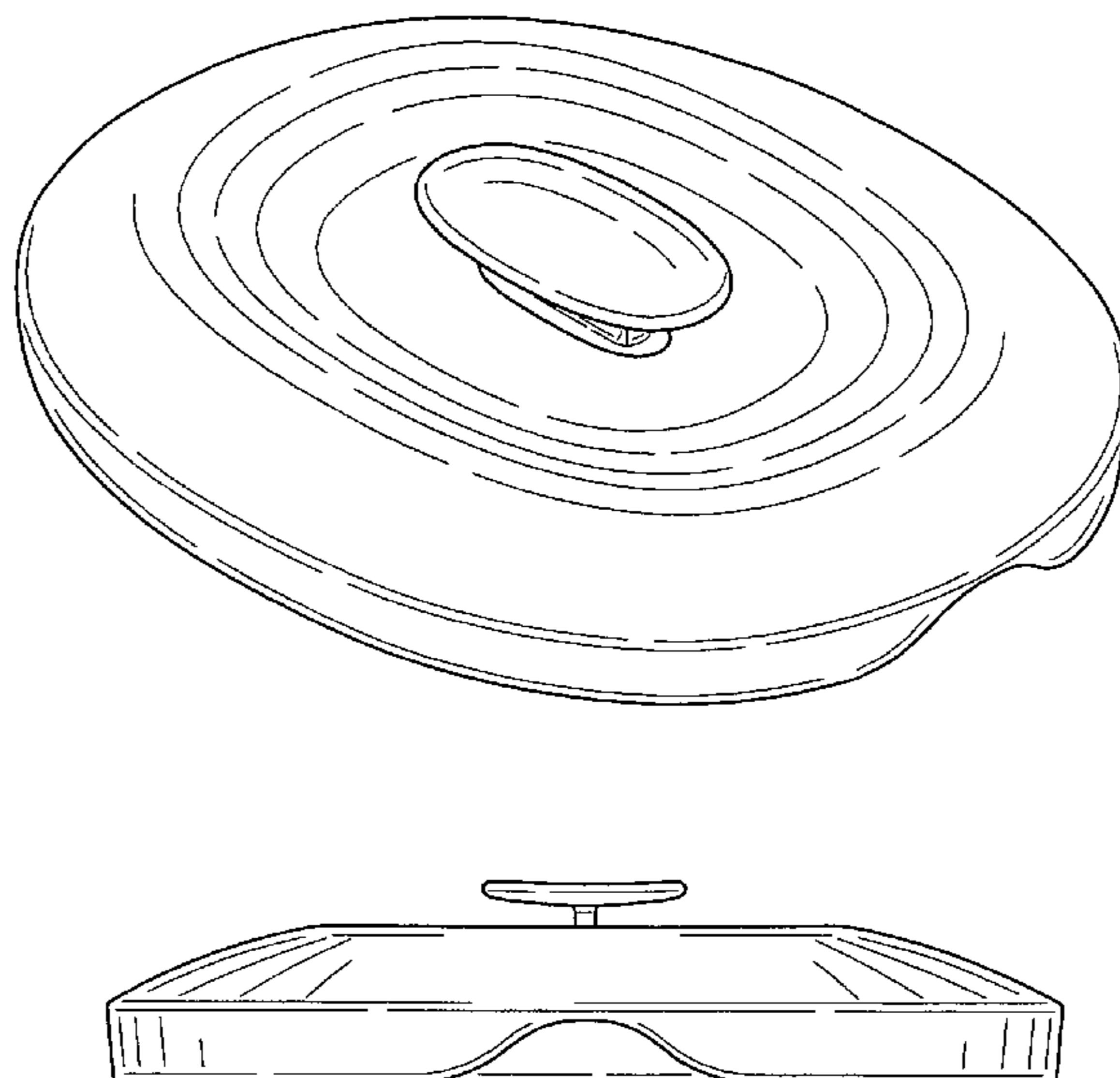
U.S. PATENT DOCUMENTS

1,079,942 A *	12/1913	Langan	141/110
2,687,026 A *	8/1954	Roy	96/108
2,907,467 A *	10/1959	Machate, Jr.	210/469
D197,575 S *	2/1964	Gulotta	D7/392.1
3,598,105 A *	8/1971	Cristaldi	126/21 R
D228,216 S *	8/1973	Hawley	D7/392.1
D251,827 S *	5/1979	Commisso	D9/435
D266,389 S *	10/1982	Jensen et al.	D7/392.1
D276,118 S *	10/1984	Conti et al.	D7/392.1
D282,044 S *	1/1986	McClelland	D7/392
D282,135 S *	1/1986	McClelland	D7/538
D284,158 S *	6/1986	Gerber	D7/392
D287,917 S *	1/1987	Pomroy et al.	D7/505
4,736,867 A *	4/1988	Feimer et al.	220/810

**DESCRIPTION**

FIG. 1 is a top, side and front perspective view of a cover for a serving dish showing my new design;  
 FIG. 2 is a front elevation view, the rear elevation being a mirror image thereof;  
 FIG. 3 is a right side elevation view thereof;  
 FIG. 4 is a left side elevation view thereof;  
 FIG. 5 is a top plan view thereof;  
 FIG. 6 is a bottom plan view thereof;  
 FIG. 7 is a cross-sectional view taken along line 7-7 of FIG. 5;  
 and,  
 FIG. 8 is a cross-sectional view taken along line 8-8 of FIG. 5.

**1 Claim, 3 Drawing Sheets**



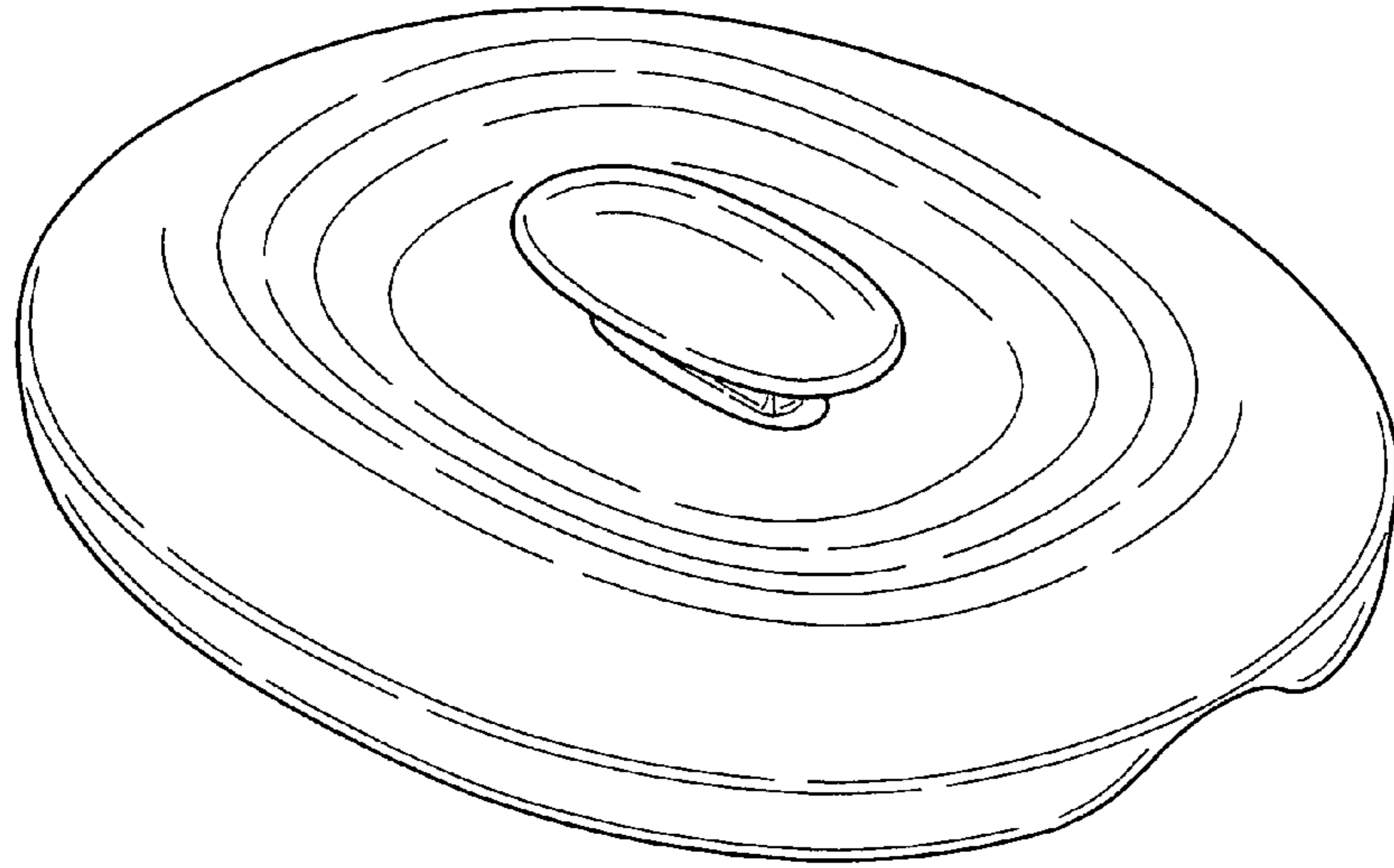


FIG. 1

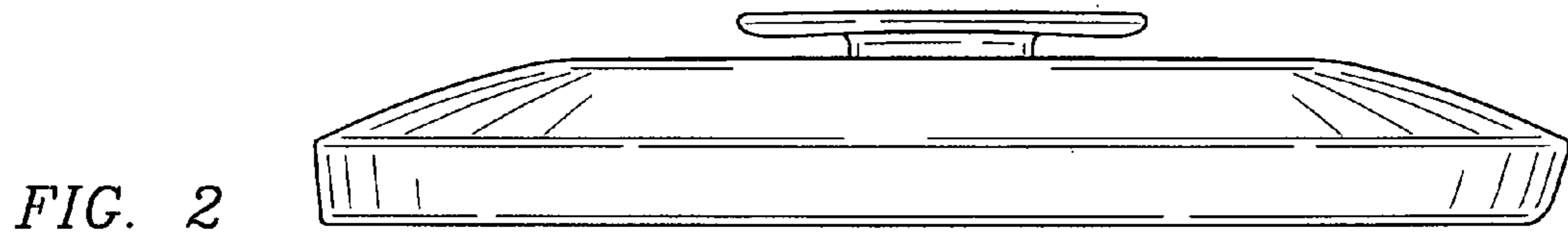


FIG. 2

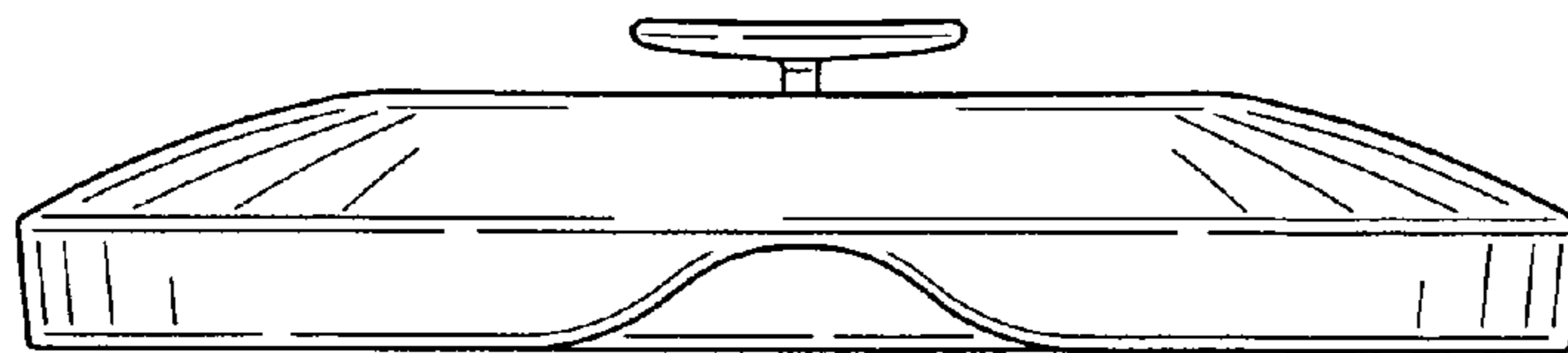


FIG. 3

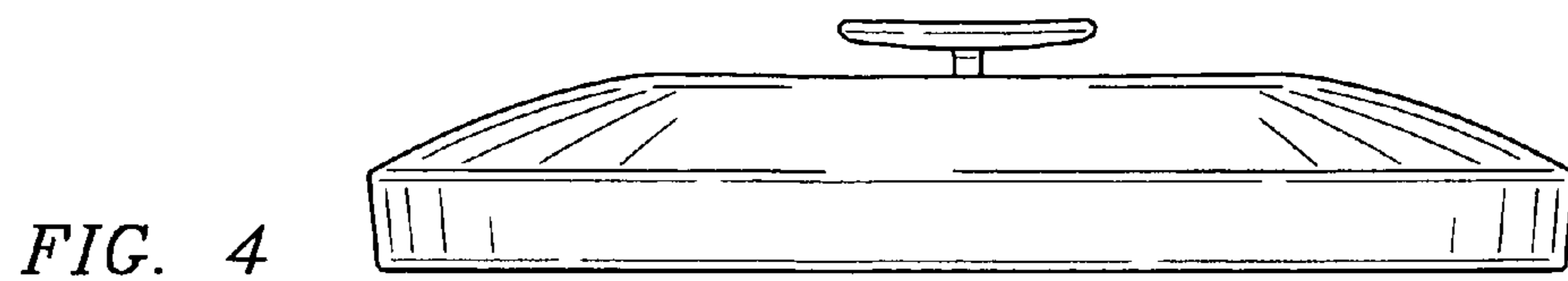


FIG. 4

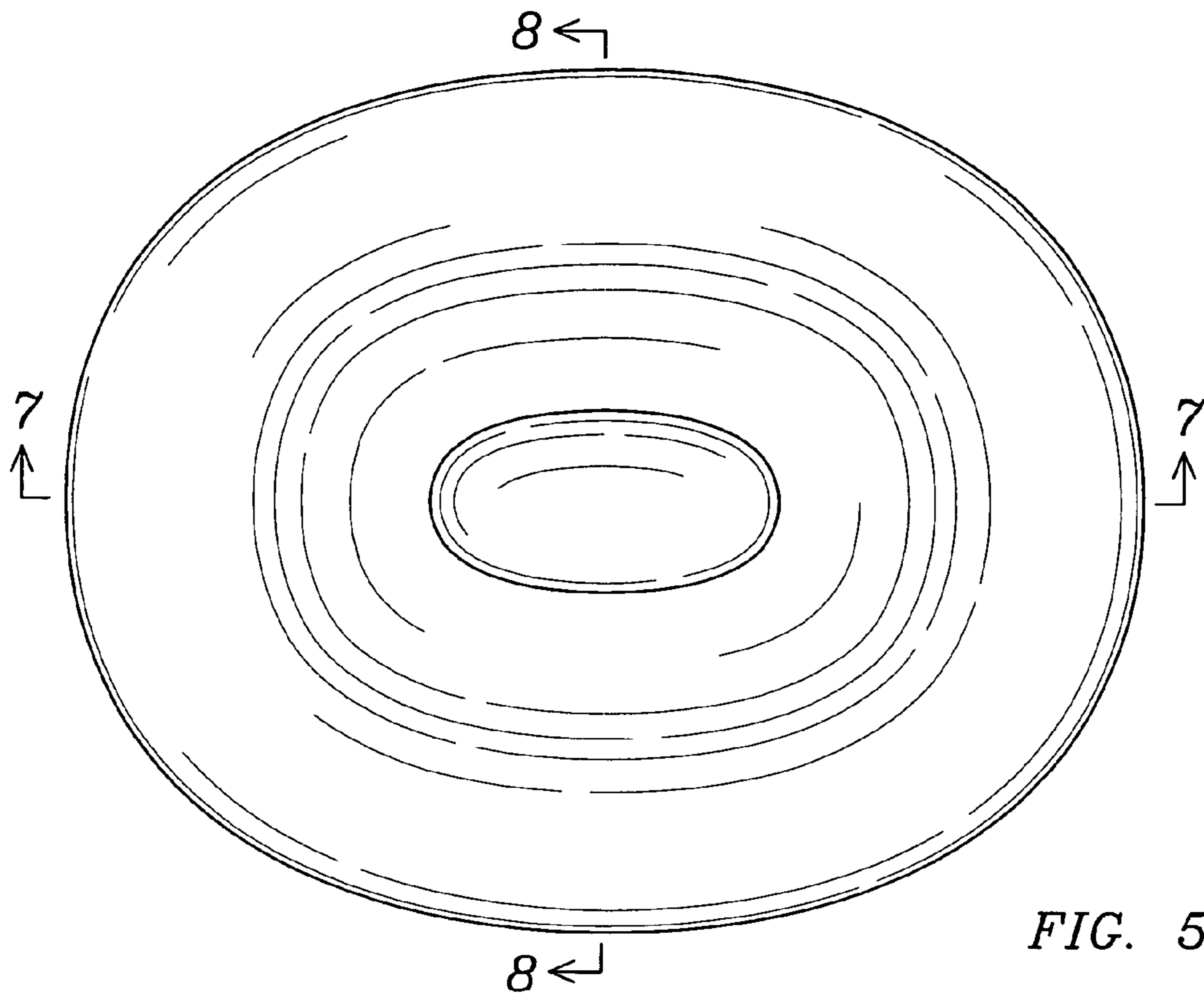


FIG. 5

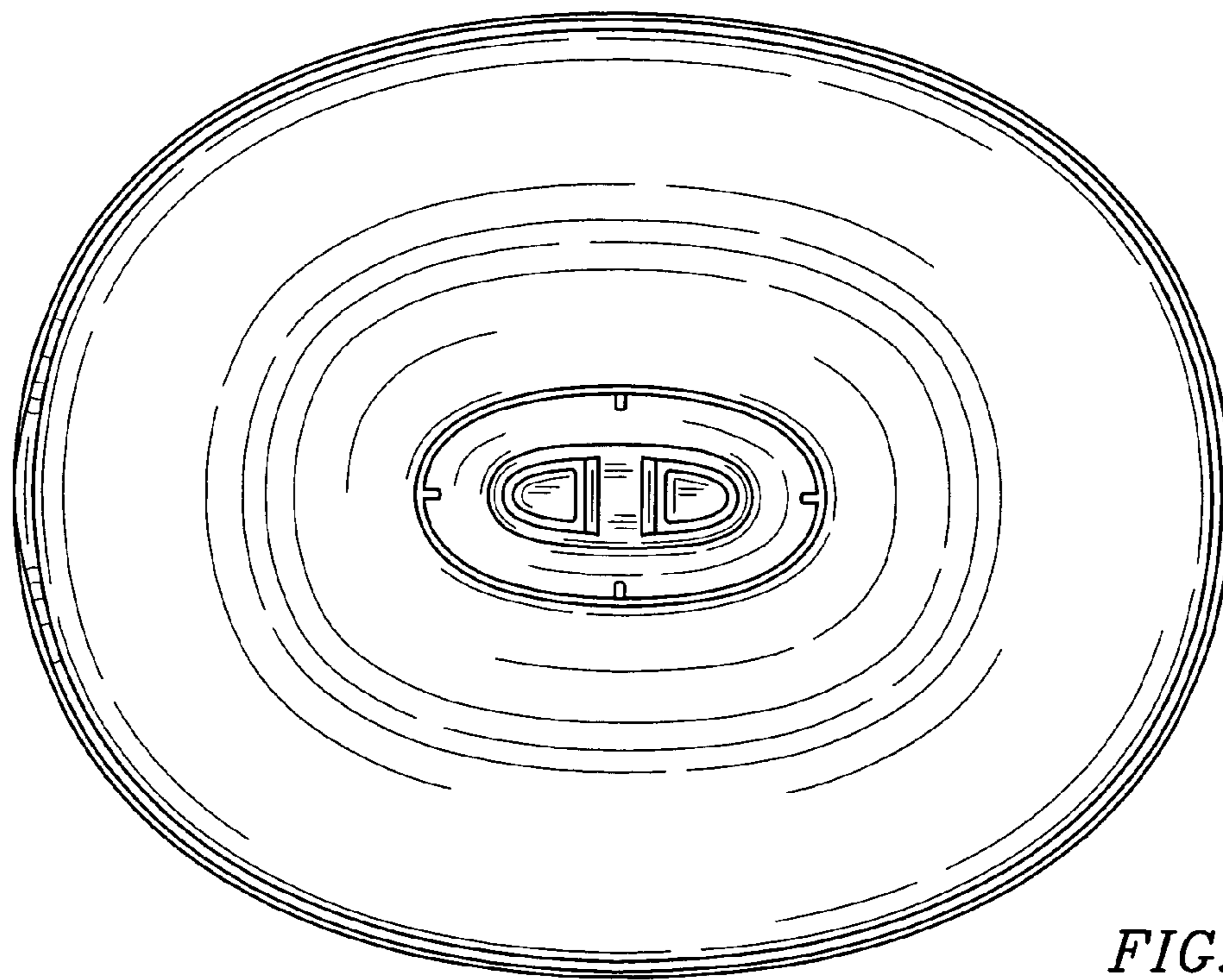
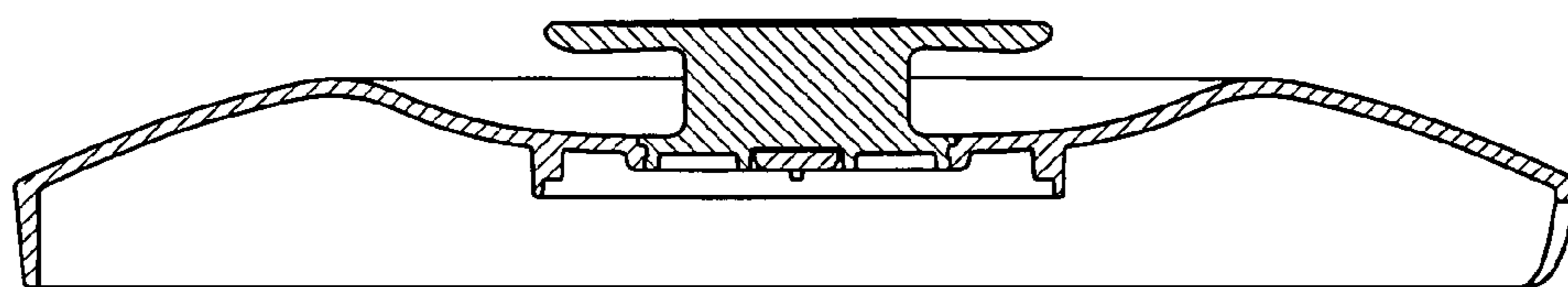
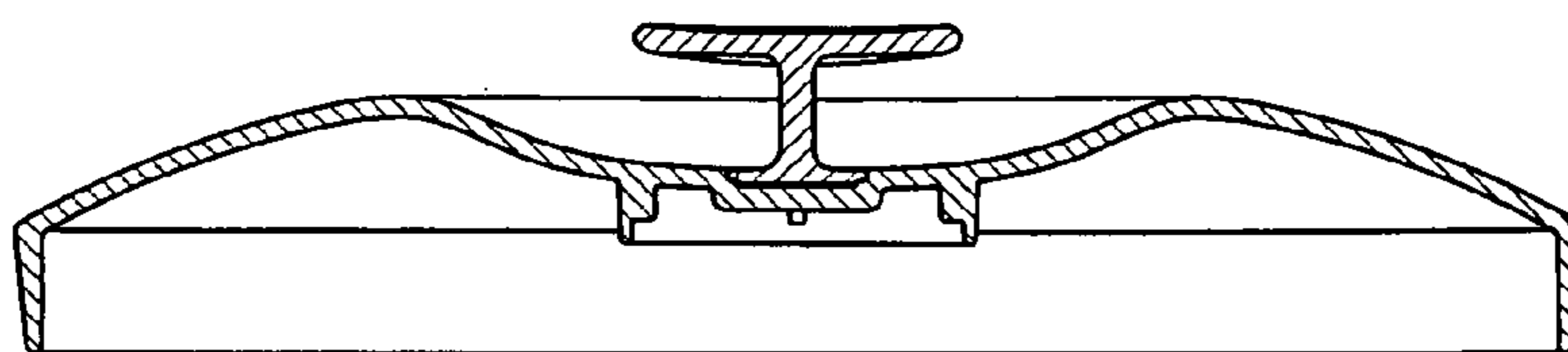


FIG. 6



*FIG. 7*



*FIG. 8*