



US00D684815S

(12) **United States Design Patent**
Chen

(10) **Patent No.:** **US D684,815 S**
(45) **Date of Patent:** **** Jun. 25, 2013**

(54) **COVER FOR A SERVING DISH**
(75) Inventor: **Rui Yuan Chen**, Oxford (GB)
(73) Assignee: **Dart Industries Inc.**, Orlando, FL (US)
(**) Term: **14 Years**
(21) Appl. No.: **29/395,898**
(22) Filed: **Apr. 18, 2012**
(51) **LOC (9) Cl.** **07-02**
(52) **U.S. Cl.**
USPC **D7/392.1**
(58) **Field of Classification Search**
USPC D7/391, 392, 392.1, 505, 538, 542,
D7/543, 545; D9/435, 447, 449, 452, 453,
D9/454; 220/200, 212.5, 287, 315, 369, 380,
220/522, 784, 799, 810; 206/501, 502; 222/545,
222/566
See application file for complete search history.

D476,851 S * 7/2003 Wuestman D7/542
D477,970 S 8/2003 Thonis
D480,600 S 10/2003 Lillelund et al.
D480,604 S 10/2003 Lillelund et al.
D499,936 S 12/2004 Wiedmeyer et al.
D508,822 S 8/2005 Smith et al.
D520,303 S 5/2006 Hayes et al.
D535,153 S 1/2007 Eide et al.
D550,030 S * 9/2007 Peterson D7/392.1
D563,718 S 3/2008 Lion et al.
D571,156 S 6/2008 Gartz et al.

OTHER PUBLICATIONS

U.S. Appl. No. 29/395,894; Rui Yuan Chen; filed Apr. 18, 2012.
U.S. Appl. No. 29/395,897, Rui Yuan Chen; filed Apr. 18, 2012.
U.S. Appl. No. 29/395,896, Rui Yuan Chen; filed Apr. 18, 2012.
U.S. Appl. No. 29/395,892, Rui Yuan Chen; filed Apr. 18, 2012.
U.S. Appl. No. 29/395,899, Rui Yuan Chen; filed Apr. 18, 2012.

* cited by examiner

Primary Examiner — Susan E Krakower
(74) *Attorney, Agent, or Firm* — John A. Doninger

(56) **References Cited**

U.S. PATENT DOCUMENTS

1,079,942 A * 12/1913 Langan 141/110
2,687,026 A * 8/1954 Gleason 96/108
2,907,467 A * 10/1959 Machate, Jr. 210/469
D197,575 S * 2/1964 Gulotta D7/392.1
3,598,105 A * 8/1971 Cristaldi 126/21 R
D228,216 S * 8/1973 Hawley D7/392.1
D251,827 S * 5/1979 Commisso D9/435
D266,389 S * 10/1982 Jensen et al. D7/392.1
D276,118 S * 10/1984 Conti et al. D7/392.1
D282,044 S * 1/1986 McClelland D7/392
D282,135 S * 1/1986 McClelland D7/538
D284,158 S * 6/1986 Gerber D7/392
D287,917 S * 1/1987 Pomroy et al. D7/505
4,736,867 A * 4/1988 Feimer et al. 220/810
D370,598 S 6/1996 Koch
5,613,618 A * 3/1997 Raoult 220/369
D405,561 S 2/1999 Willinger
D412,266 S 7/1999 Kerr
D433,878 S 11/2000 Joergensen

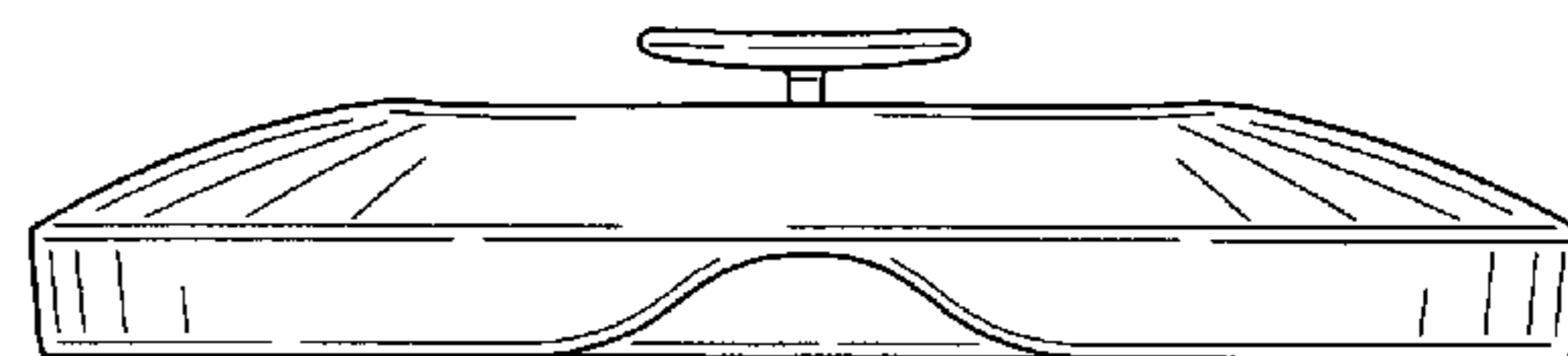
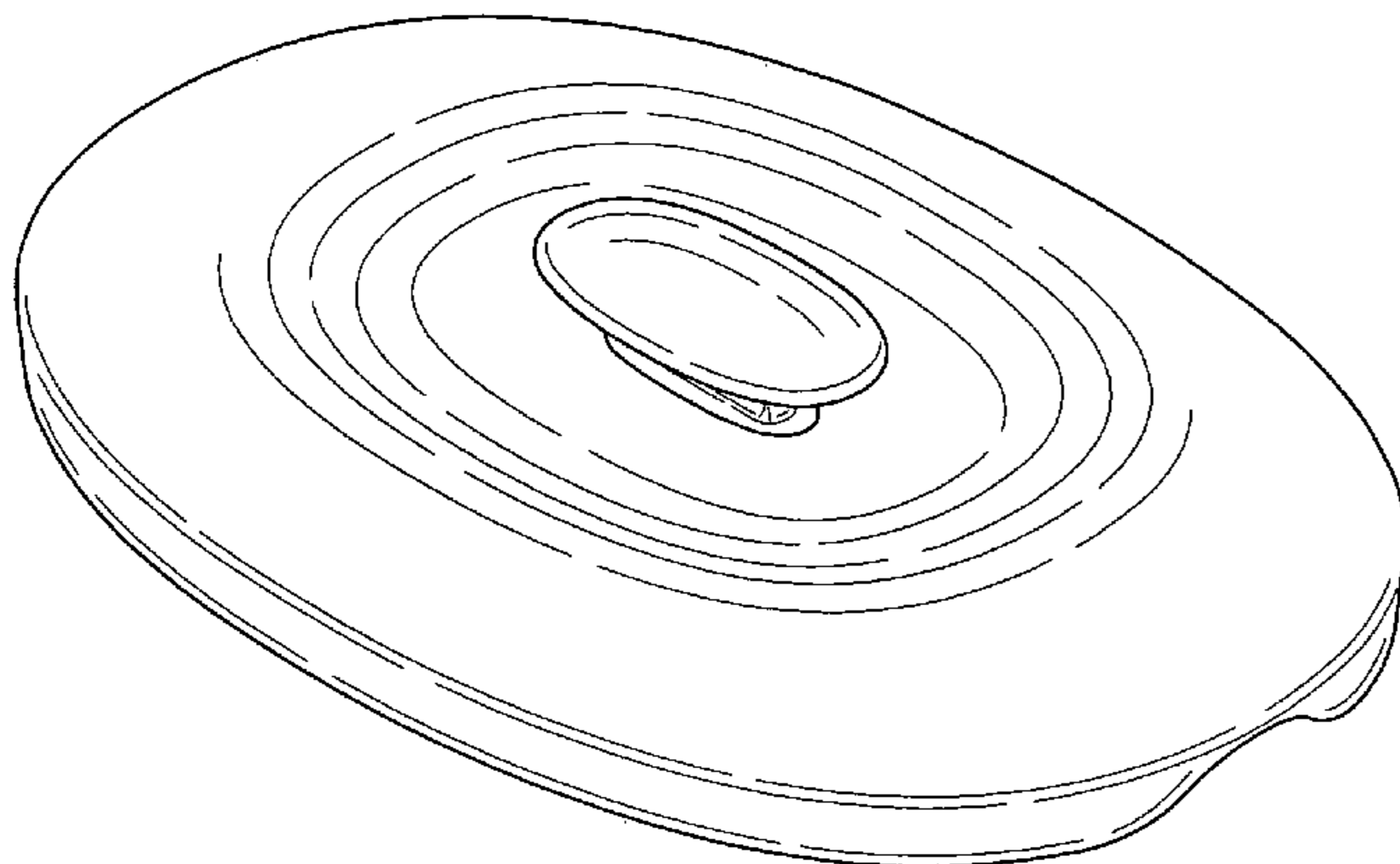
(57) **CLAIM**

The ornamental design for a cover for a serving dish, as shown and described.

DESCRIPTION

FIG. 1 is a top, side and front perspective view of a cover for a serving dish showing my new design;
FIG. 2 is a front elevation view, the rear elevation being a mirror image thereof;
FIG. 3 is a right side elevation view thereof;
FIG. 4 is a left side elevation view thereof;
FIG. 5 is a top plan view thereof;
FIG. 6 is a bottom plan view thereof;
FIG. 7 is a cross-sectional view taken along line 7-7 of FIG. 5; and,
FIG. 8 is a cross-sectional view taken along line 8-8 of FIG. 5.

1 Claim, 3 Drawing Sheets



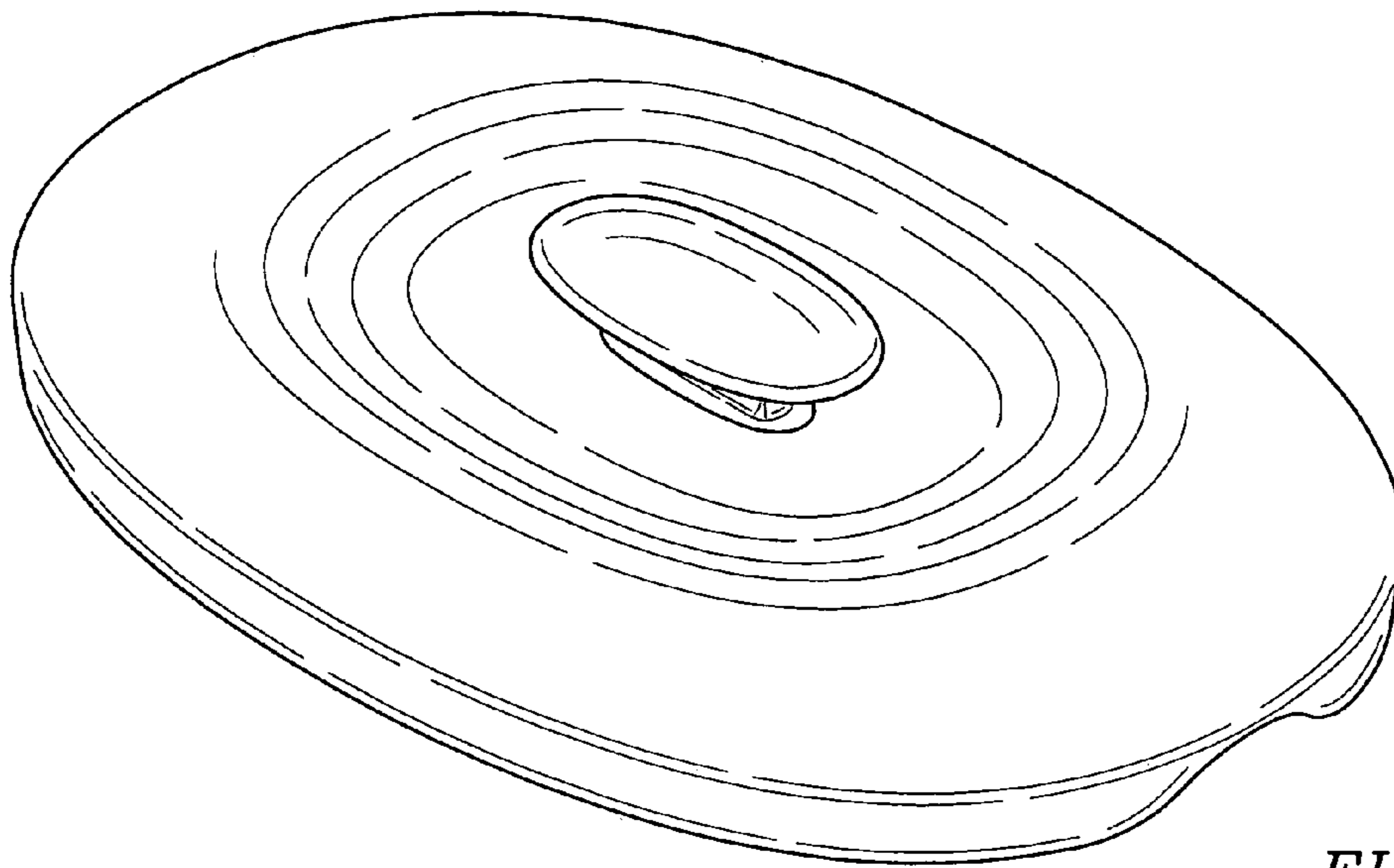


FIG. 1

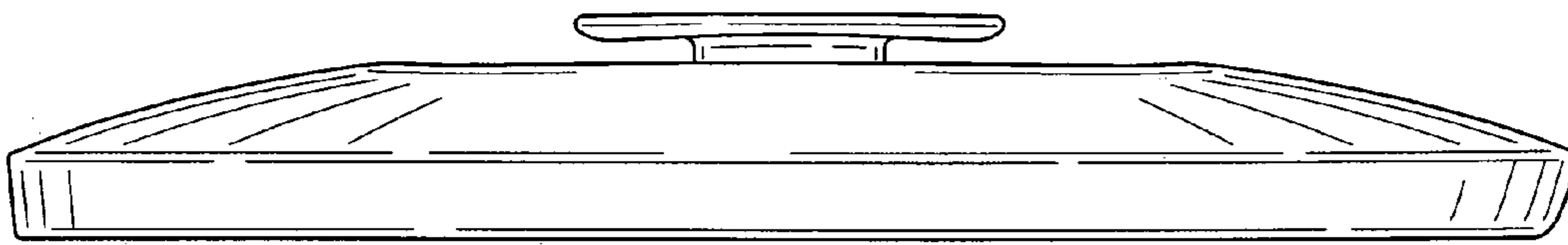


FIG. 2

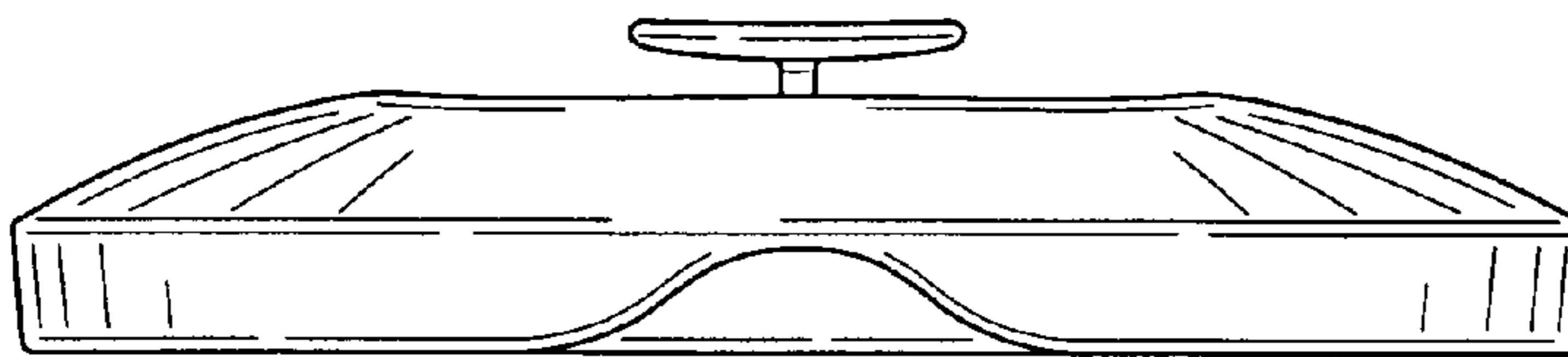
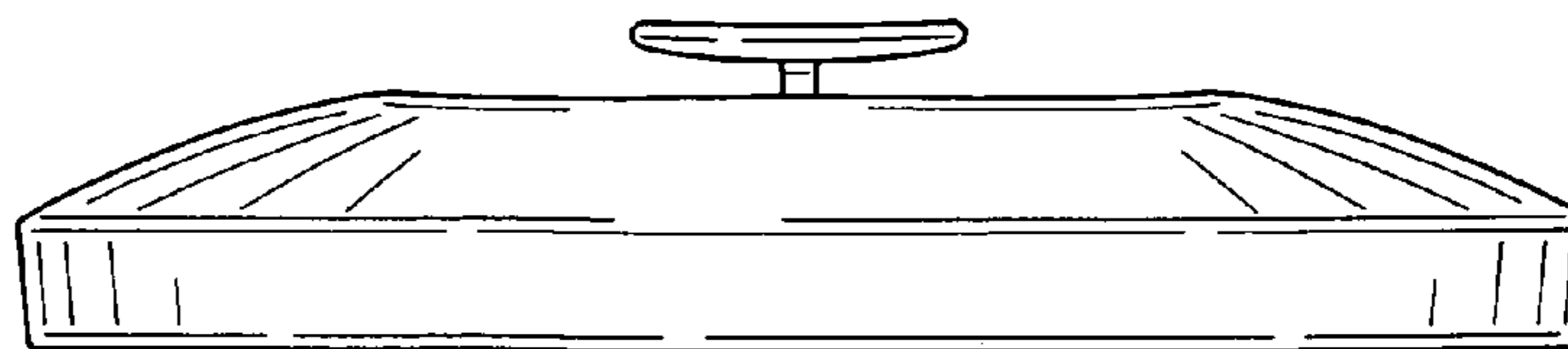


FIG. 3

FIG. 4



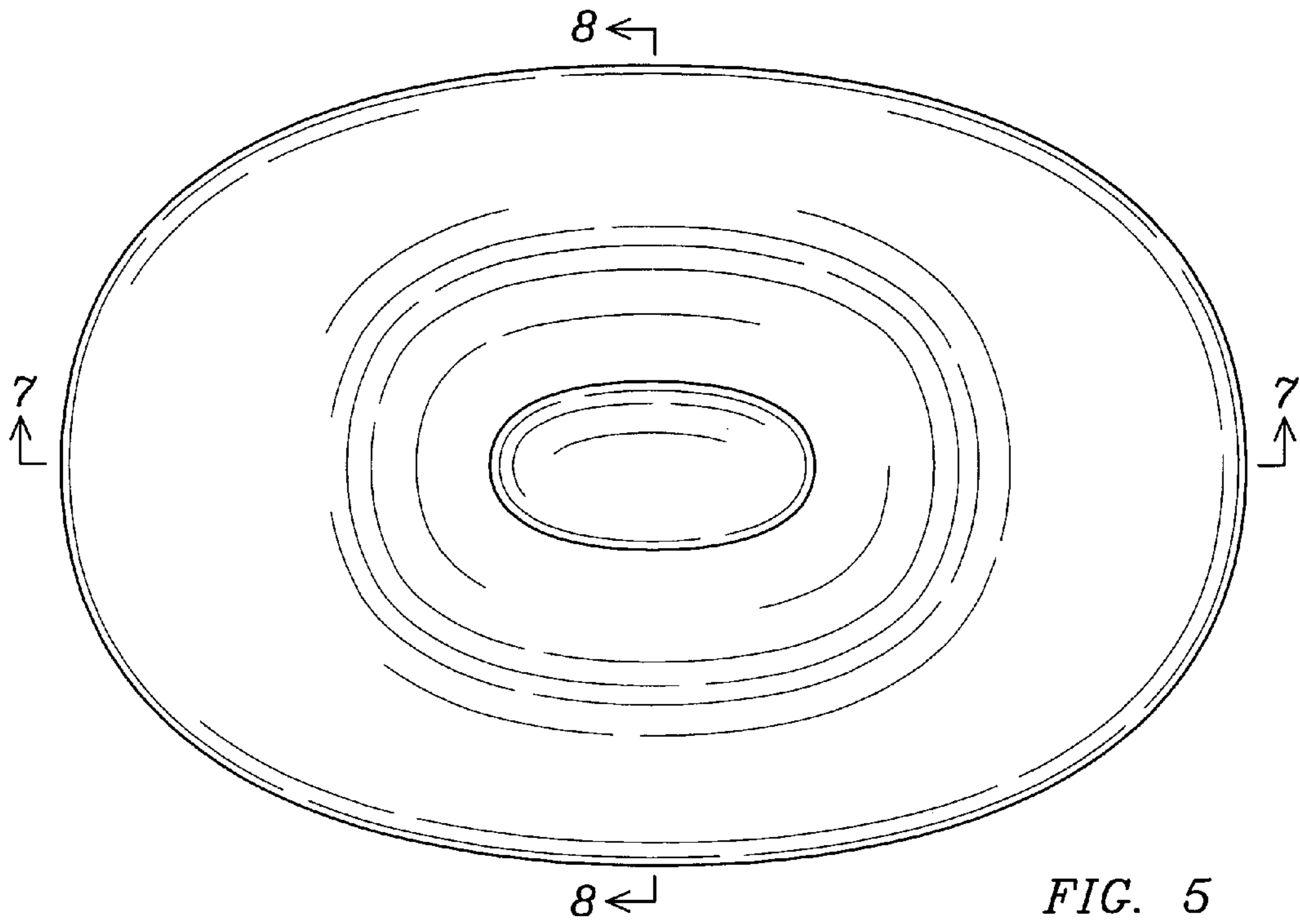


FIG. 5

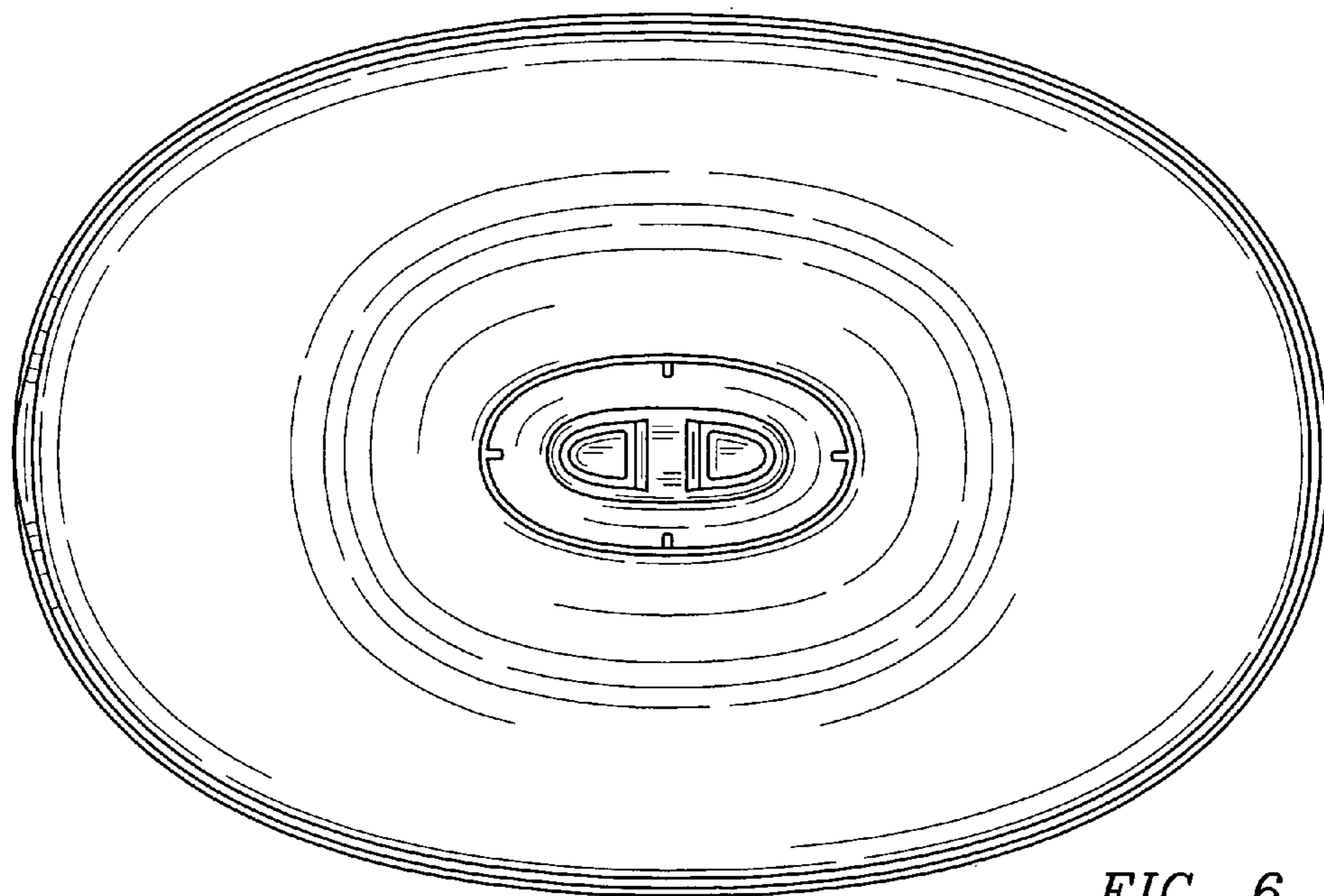


FIG. 6

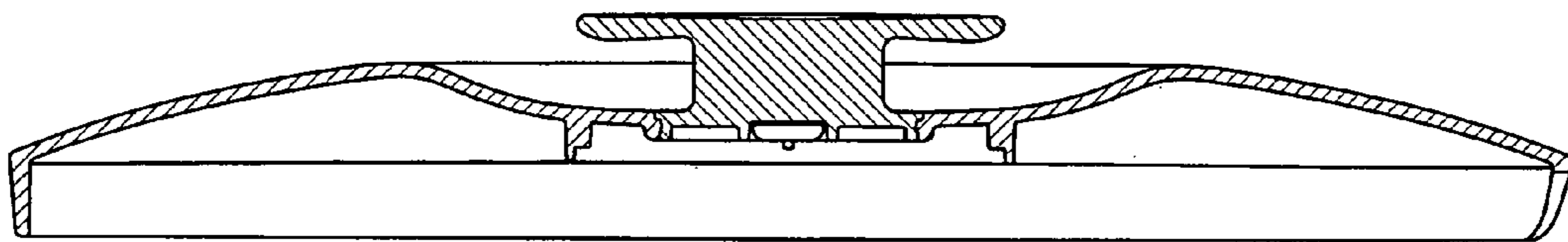


FIG. 7

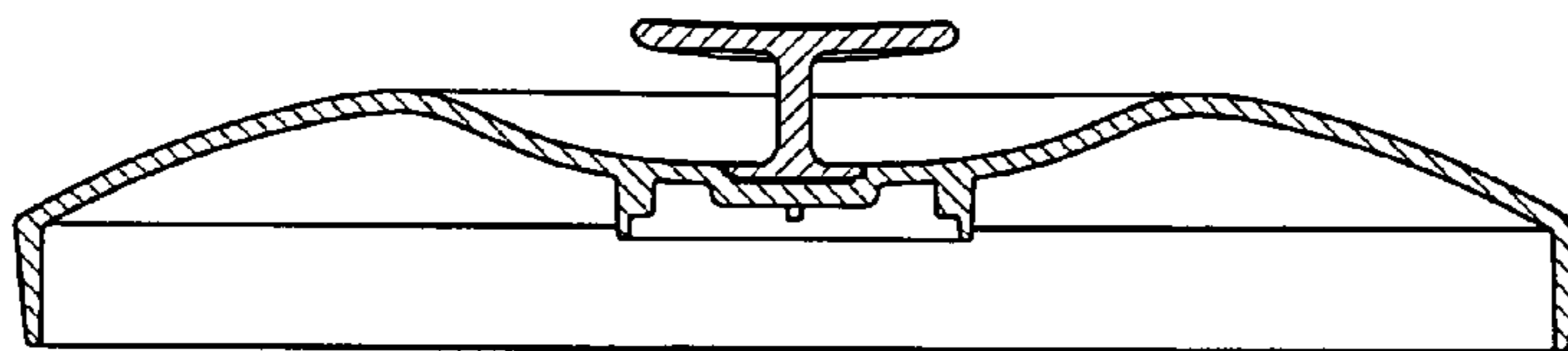


FIG. 8