



US00D684812S

(12) **United States Design Patent**  
**Johnson**

(10) **Patent No.:** **US D684,812 S**

(45) **Date of Patent:** **\*\* Jun. 25, 2013**

(54) **COOLER TOP LOCK**

(76) Inventor: **Phillip A. Johnson**, Atlanta, GA (US)

(\*\*) Term: **14 Years**

(21) Appl. No.: **29/395,506**

(22) Filed: **Feb. 3, 2012**

(51) **LOC (9) Cl.** ..... **07-99**

(52) **U.S. Cl.**  
USPC ..... **D7/392; D9/435**

(58) **Field of Classification Search**  
USPC ..... D7/300, 306, 313, 391, 392, 357,  
D7/601, 605; D9/424, 434, 435, 438; D8/330,  
D8/331, 343, 336; 206/303, 320; 220/592.02,  
220/4.04, 4.24, 3.8, 912, 837, 902; 215/201,  
215/209, 272, 216  
See application file for complete search history.

(56) **References Cited**

**U.S. PATENT DOCUMENTS**

3,208,620	A *	9/1965	Herdering	.....	220/4.24
4,320,851	A *	3/1982	Montoya	.....	220/324
4,493,432	A *	1/1985	Smith	.....	220/270
5,058,754	A *	10/1991	Hickerson	.....	215/201
D359,685	S *	6/1995	Luch	.....	D9/438
5,495,941	A *	3/1996	Leonard	.....	206/366

5,992,657	A *	11/1999	Friedman	.....	215/209
D462,269	S *	9/2002	Hunter et al.	.....	D9/435
6,786,346	B1 *	9/2004	Gurnard et al.	.....	215/272
6,880,729	B2 *	4/2005	Stull et al.	.....	222/153.14
7,277,009	B2 *	10/2007	Hall et al.	.....	340/539.22
D634,269	S *	3/2011	Griffin, Jr.	.....	D13/108
D635,395	S	4/2011	Johnson		
8,038,026	B2 *	10/2011	Auer et al.	.....	220/326

\* cited by examiner

*Primary Examiner* — Prabhakar Deshmukh

(74) *Attorney, Agent, or Firm* — Rodgers & Rodgers

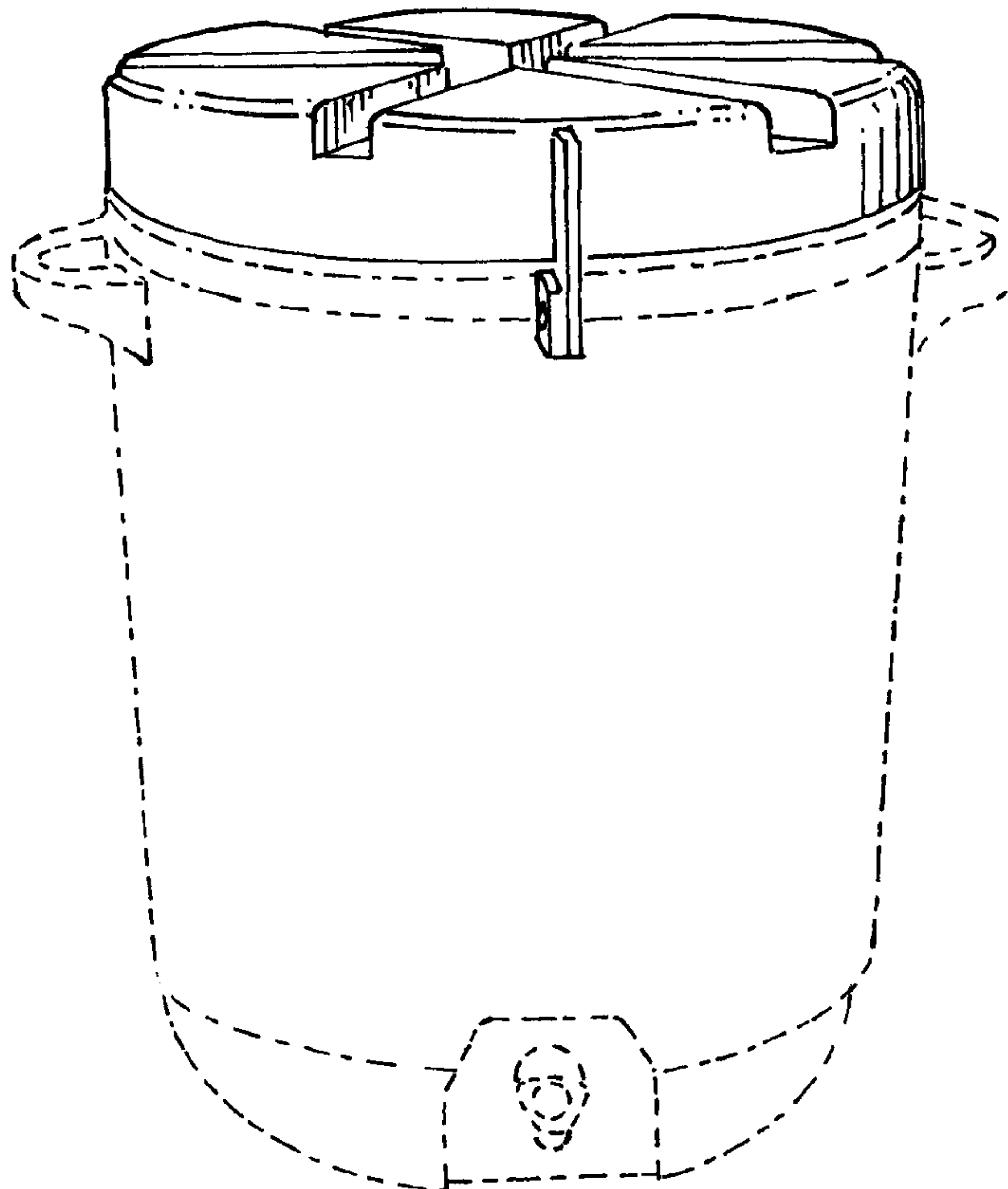
(57) **CLAIM**

The ornamental design for a cooler top lock, as shown and described.

**DESCRIPTION**

FIG. 1 is a perspective view of a cooler top lock showing my new design;  
FIG. 2 is a front elevational view thereof;  
FIG. 3 is a left-side elevational view thereof;  
FIG. 4 is a right-side elevational view thereof;  
FIG. 5 is a top plan view thereof; and,  
FIG. 6 is a bottom plan view thereof.  
The broken lines are for the purpose of illustrating environment and form no part of the claimed design.

**1 Claim, 3 Drawing Sheets**



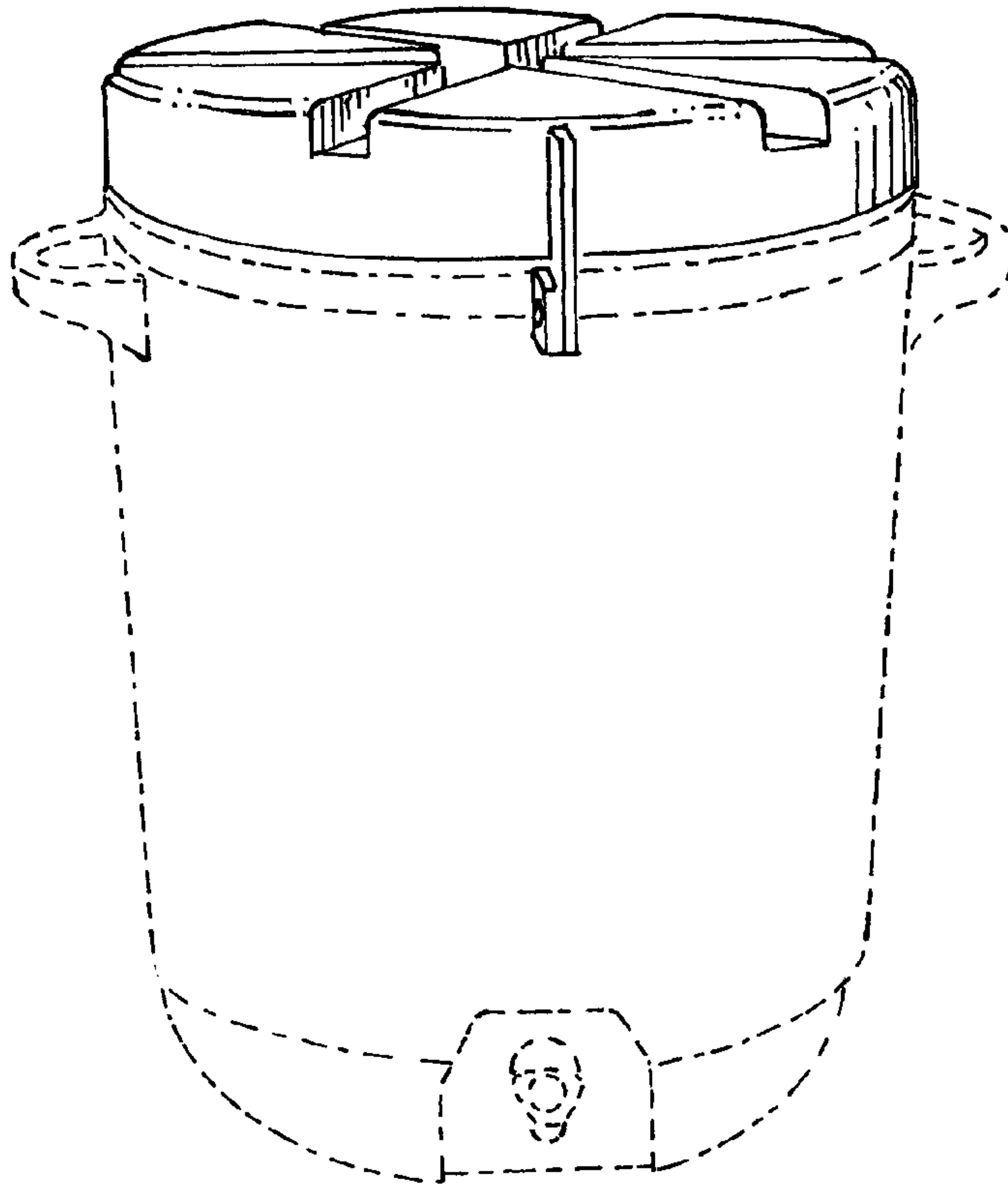


FIG. 1

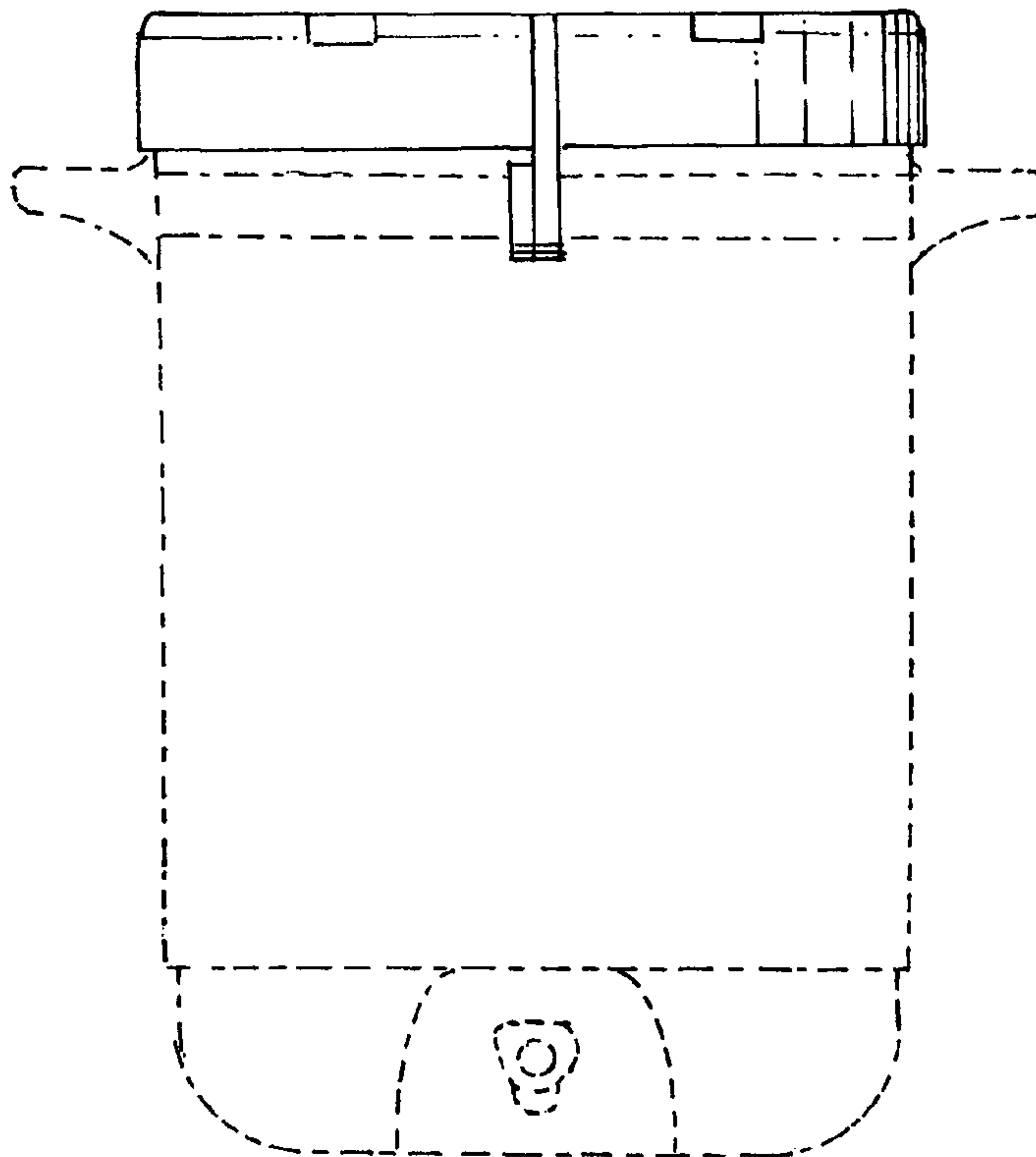
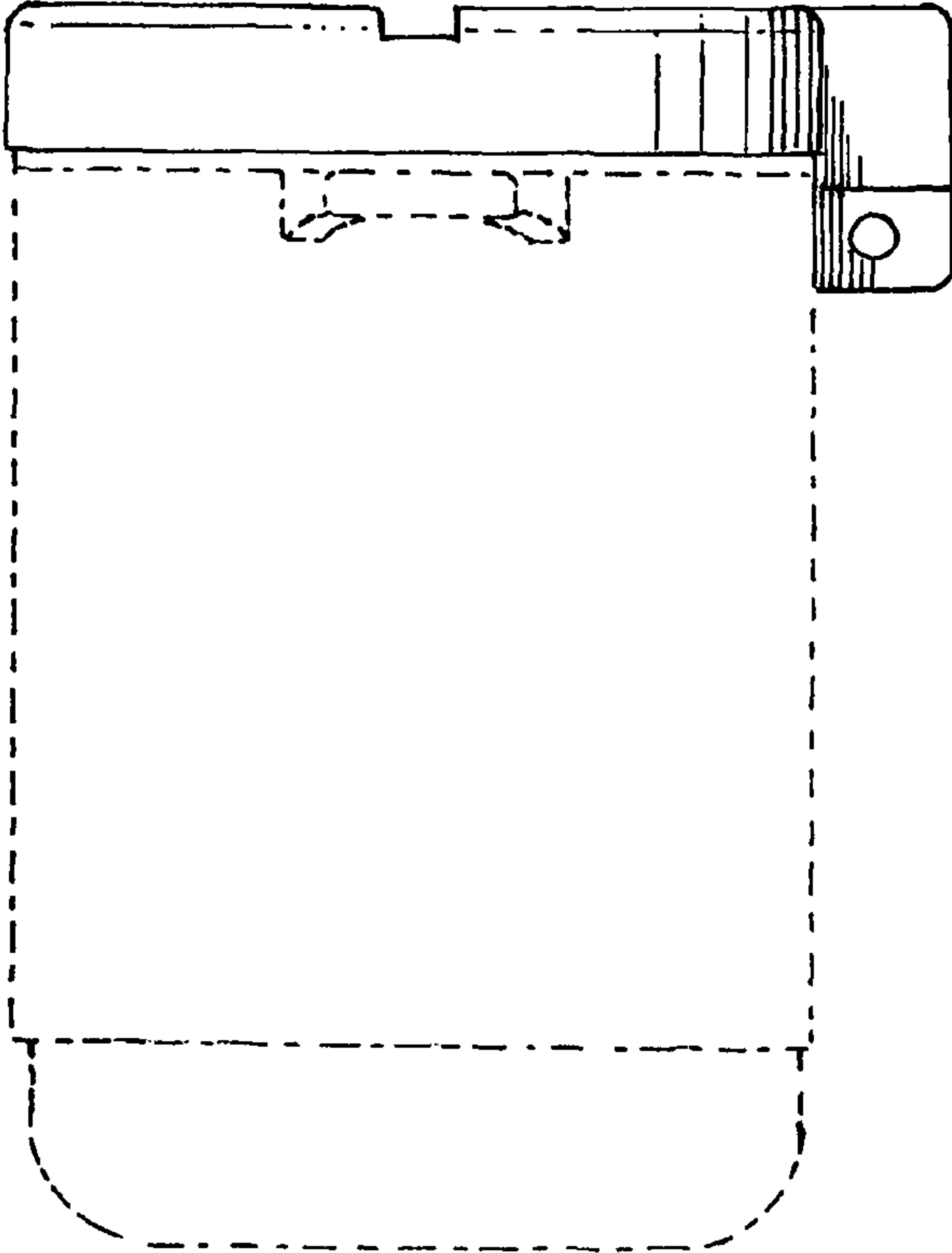
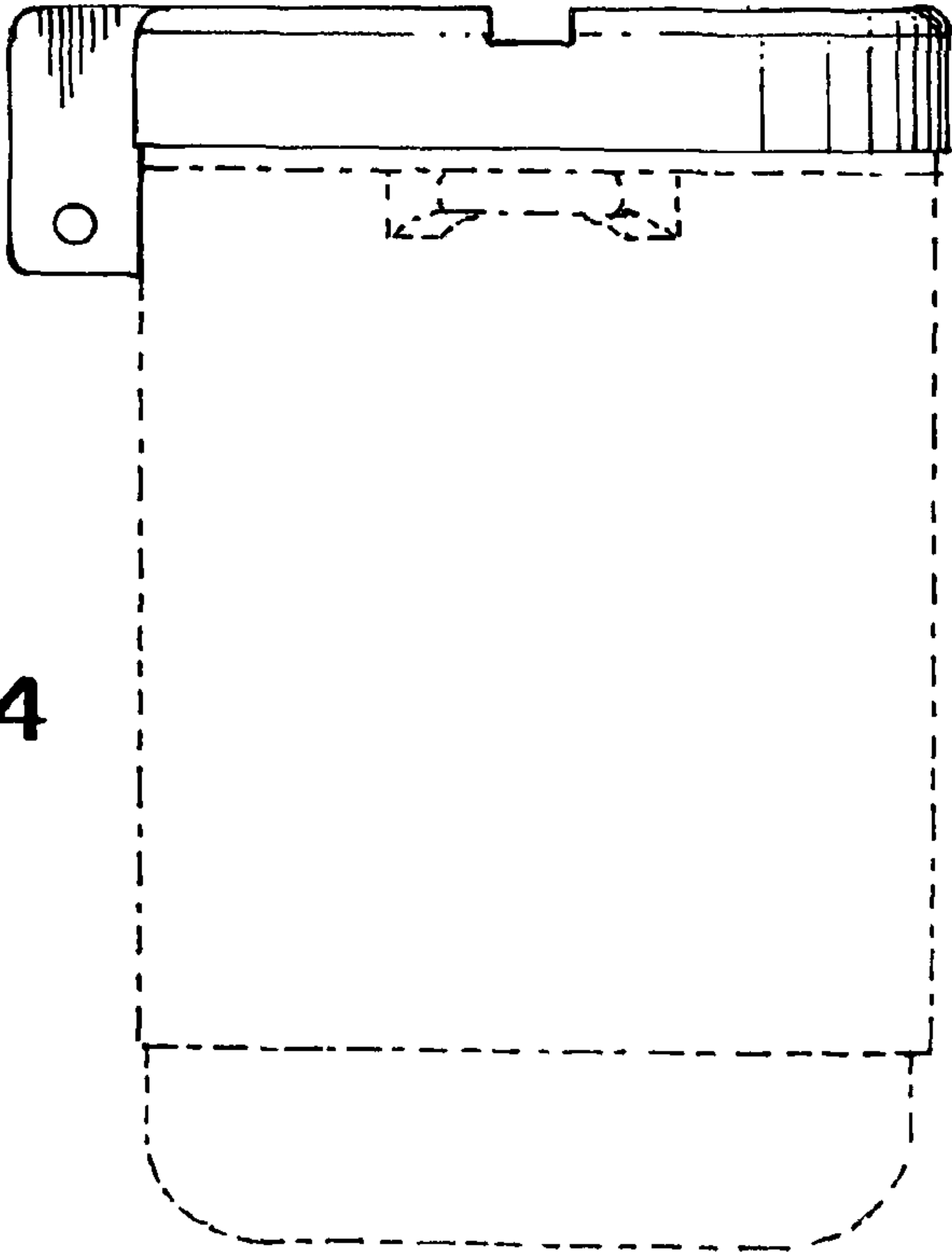


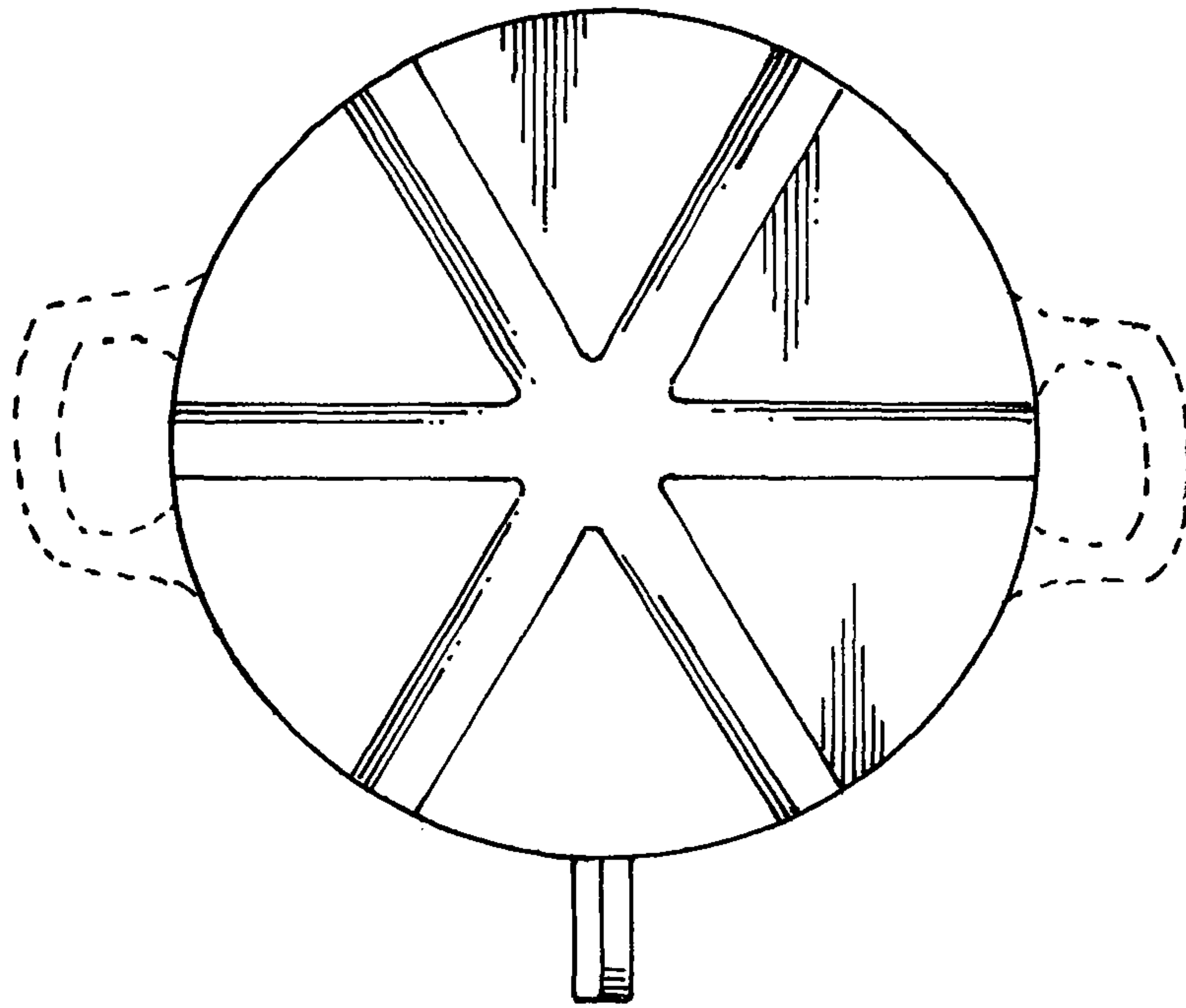
FIG. 2

**FIG. 3**

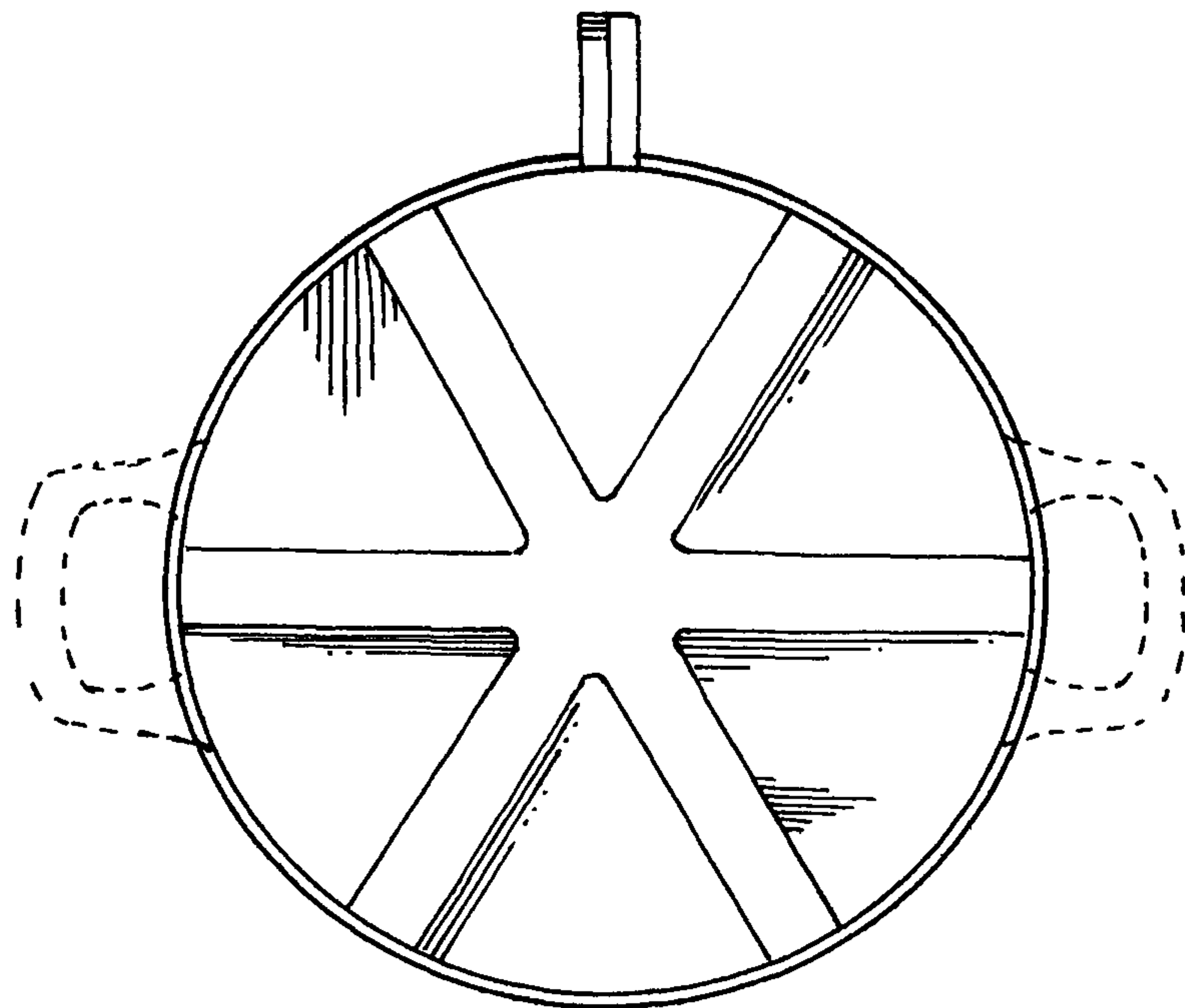


**FIG. 4**





**FIG. 5**



**FIG. 6**