



US00D684811S

(12) **United States Design Patent**  
**Fancelli**

(10) **Patent No.:** **US D684,811 S**  
(45) **Date of Patent:** **\*\* Jun. 25, 2013**

(54) **BATCH MIXER**

(75) Inventor: **Paolo Fancelli**, Bellinzona (CH)

(73) Assignee: **Buhler AG**, Uzwil (CH)

(\*\*) Term: **14 Years**

(21) Appl. No.: **29/399,699**

(22) Filed: **Aug. 17, 2011**

(30) **Foreign Application Priority Data**

Feb. 18, 2011 (WO) ..... 588177601

(51) **LOC (9) Cl.** ..... **31-00**

(52) **U.S. Cl.**  
USPC ..... **D7/376**

(58) **Field of Classification Search**  
USPC ..... D7/301-313, 316-319, 356-357,  
D7/368, 372-386, 391-398, 412-415, 503,  
D7/515, 665, 679, 691-693; 99/326, 348,  
99/492, 508-512; 210/398; 241/30-37.5,  
241/101.01-101.2, 166-169.1, 172, 272,  
241/285.1-285.3, 291, 292.1; 366/2, 8, 49,  
366/64-67, 76.8-77, 91, 129, 142-144,  
192-211, 241-254, 262, 279-292, 325.8,  
366/325.92, 341-347; 406/129; 416/75-77,  
416/70 R, 163

See application file for complete search history.

(56) **References Cited**

**U.S. PATENT DOCUMENTS**

865,365 A \* 9/1907 Drake ..... 366/66  
1,500,061 A \* 7/1924 Dimm ..... 366/196

1,741,013 A \* 12/1929 Cummer ..... 366/66  
2,655,265 A \* 10/1953 Little ..... 210/398  
2,884,232 A \* 4/1959 Wilkinson ..... 366/49  
3,357,748 A \* 12/1967 Lenhart ..... 406/129  
3,941,357 A \* 3/1976 Wurtz ..... 366/91  
4,572,674 A \* 2/1986 Mathis et al. .... 366/192  
4,588,299 A \* 5/1986 Brown et al. .... 366/8  
4,758,095 A \* 7/1988 Kanda et al. .... 366/66  
4,963,031 A \* 10/1990 Brown ..... 366/2  
6,450,679 B1 9/2002 Dahlinger et al.  
2004/0179424 A1 \* 9/2004 Yamada et al. .... 366/76.8  
2009/0161478 A1 \* 6/2009 Gustafson et al. .... 366/77

**FOREIGN PATENT DOCUMENTS**

EP 0685255 12/1995  
EP 0941947 9/1999

\* cited by examiner

*Primary Examiner* — Ricky Pham

(74) *Attorney, Agent, or Firm* — Shoemaker and Mattare

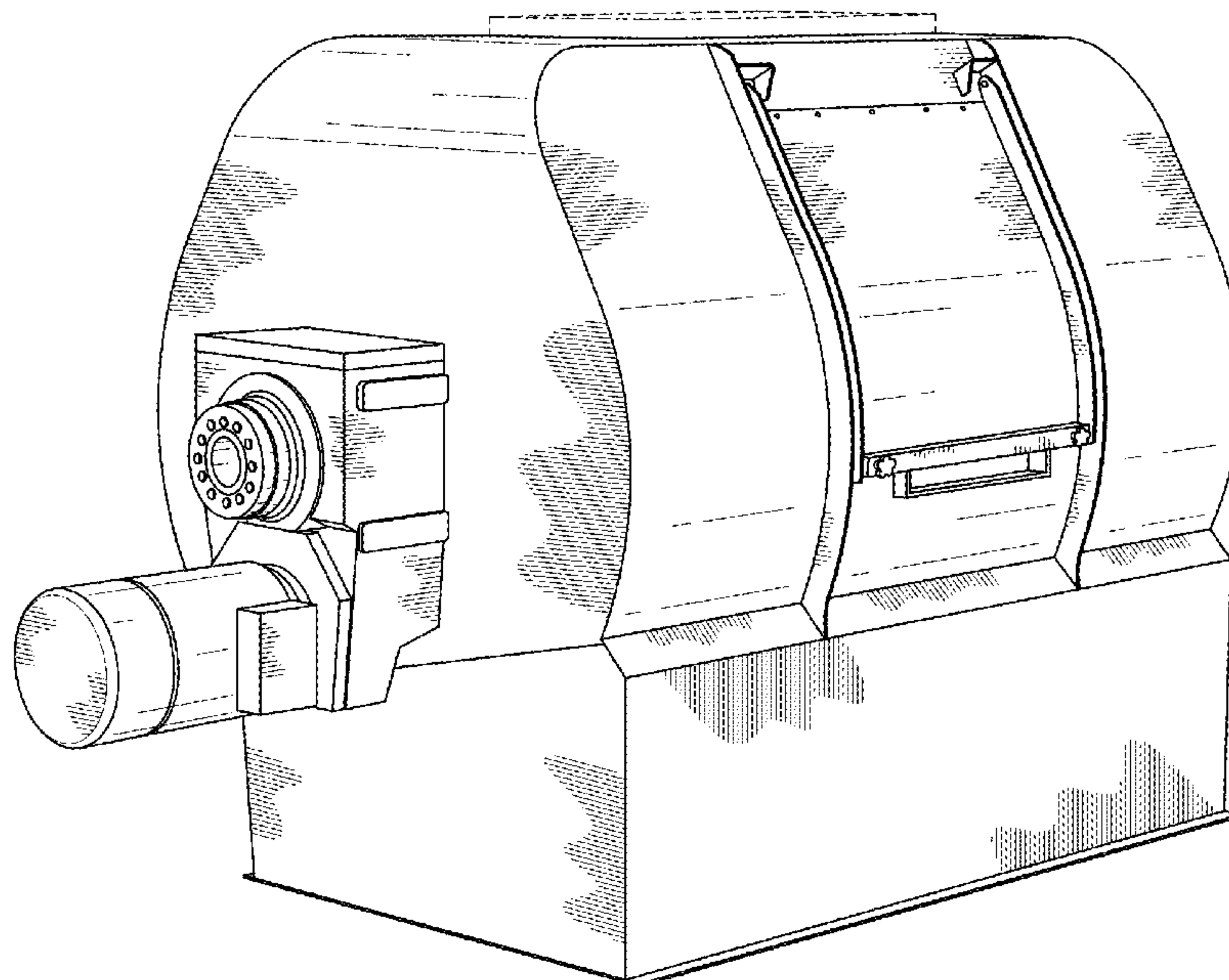
(57) **CLAIM**

The ornamental design for a batch mixer, as shown and described.

**DESCRIPTION**

FIG. 1 is a front left perspective view of a batch mixer showing my new design;  
FIG. 2 is a rear elevational view thereof;  
FIG. 3 is a right end view thereof; and,  
FIG. 4 is a rear right perspective view thereof.  
The portions shown in broken lines form no part of the claimed design.

**1 Claim, 4 Drawing Sheets**



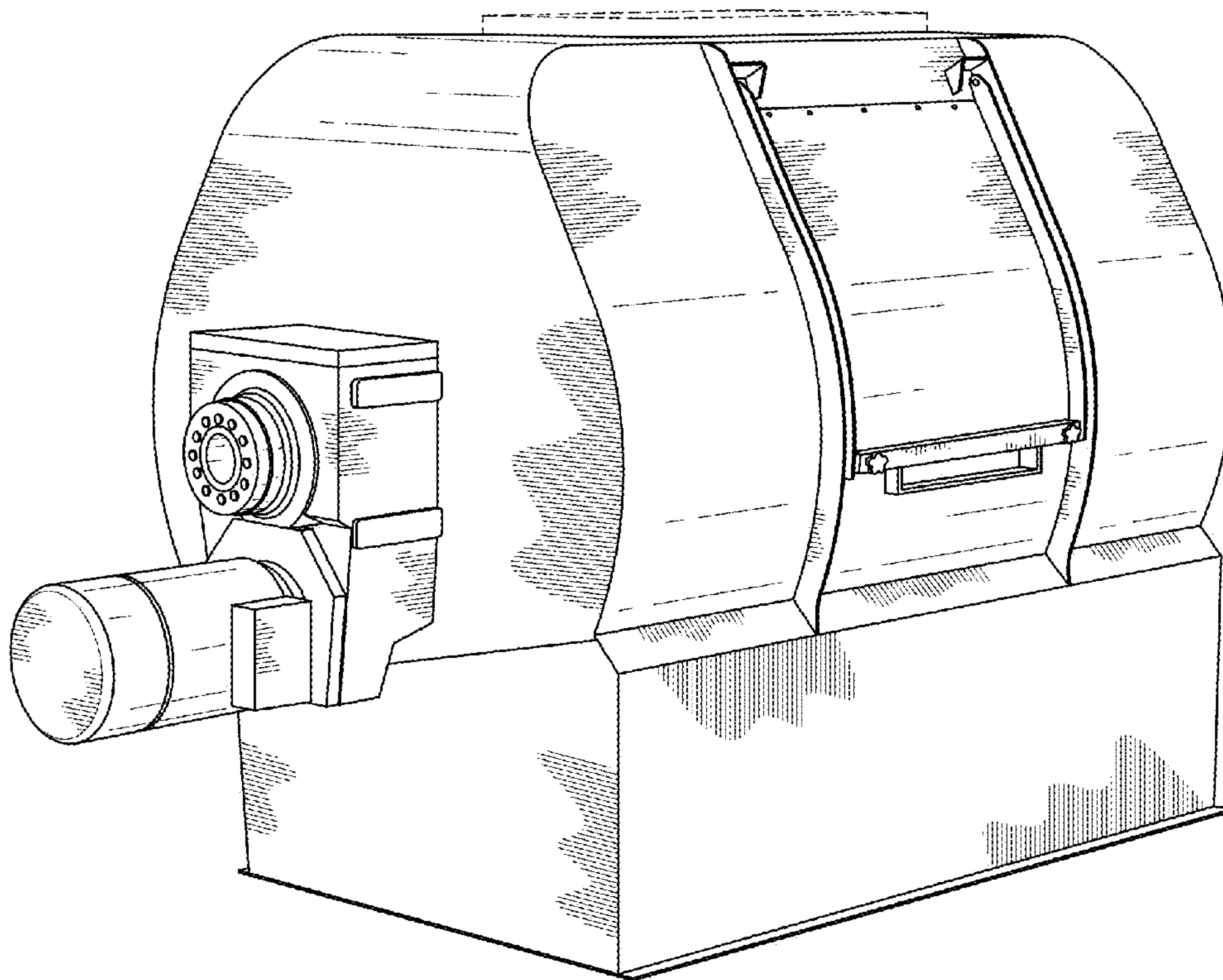


FIG. 1

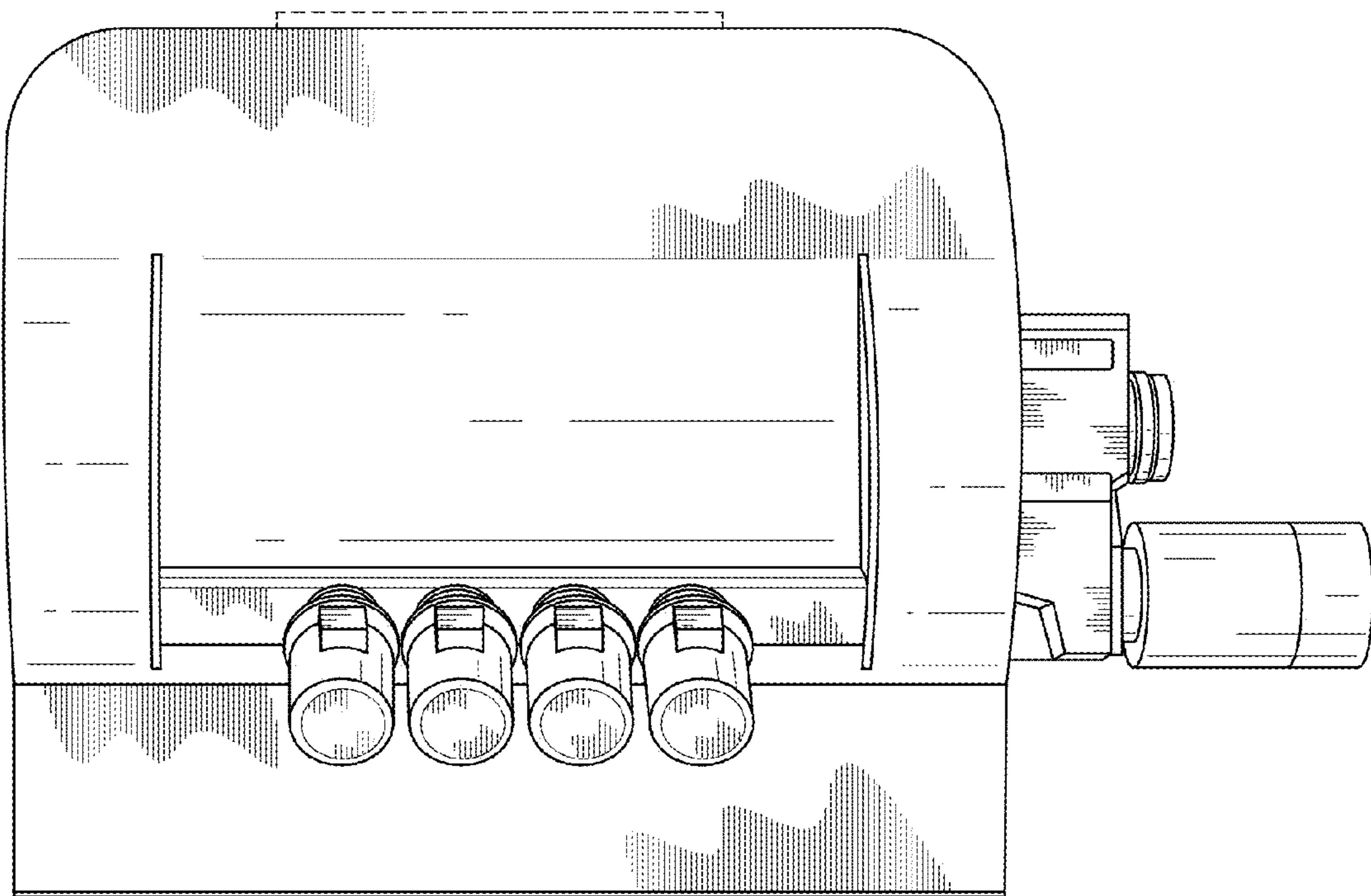


FIG. 2

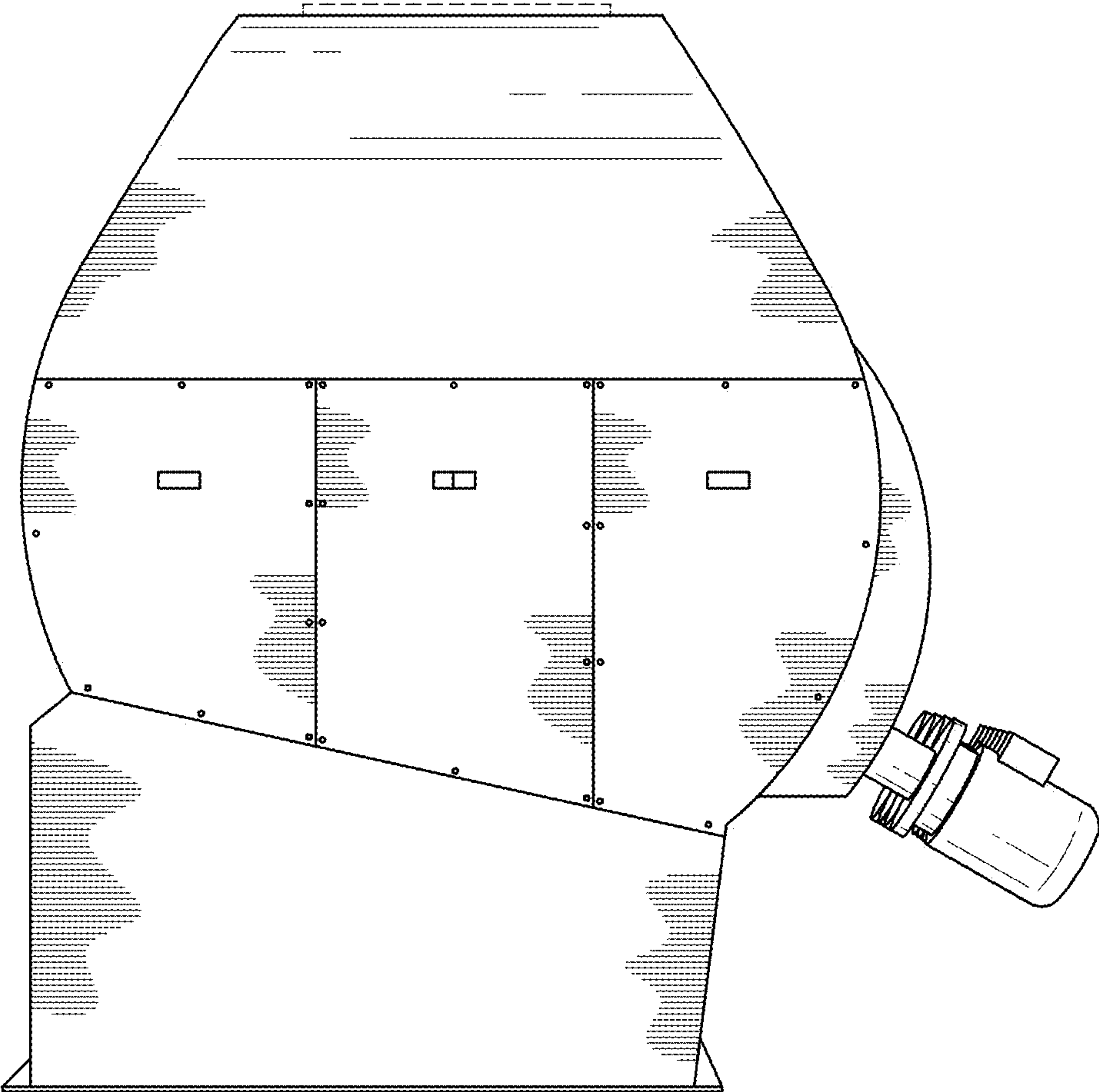


FIG. 3



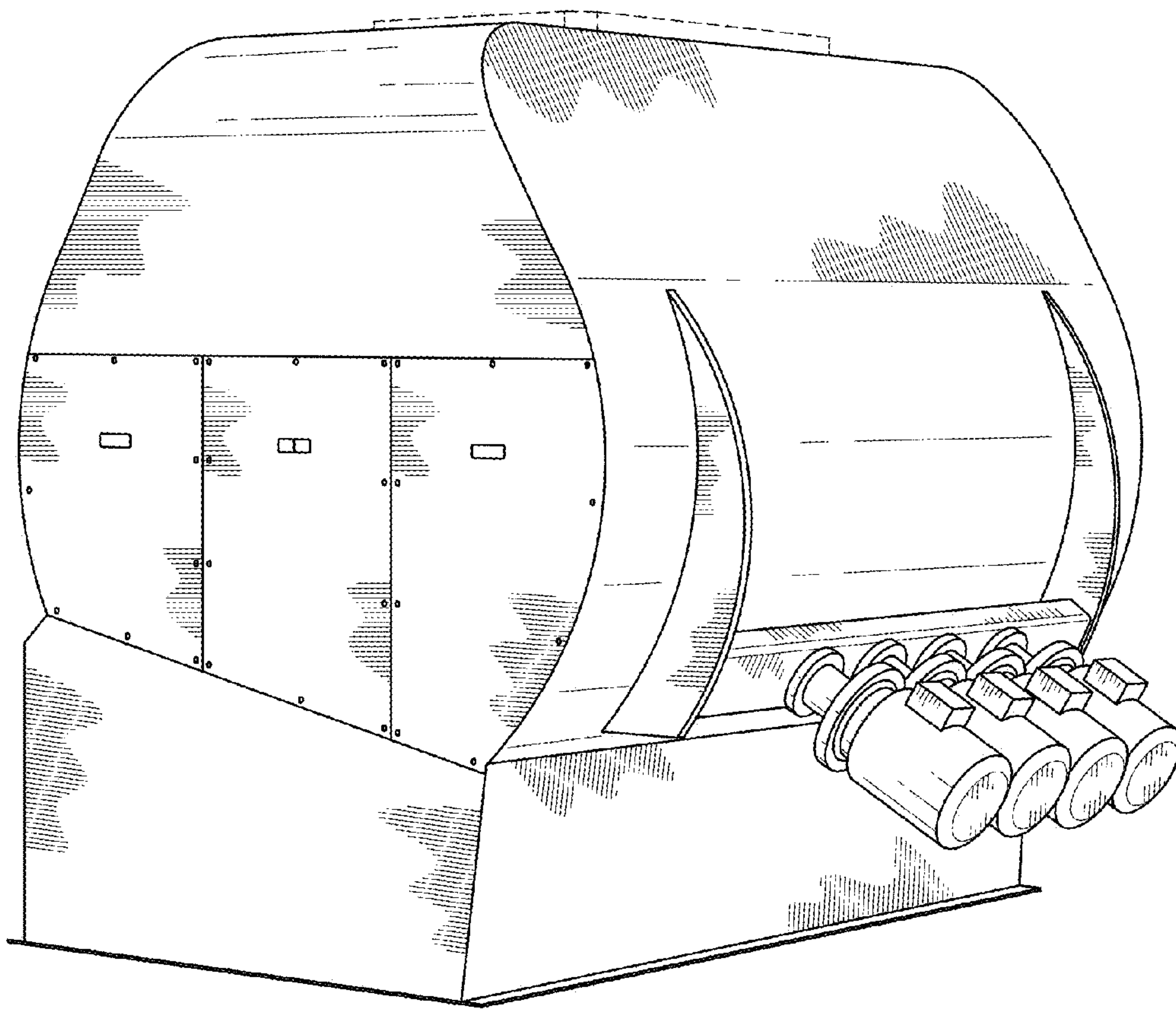


FIG. 4