



US00D684807S

(12) **United States Design Patent**
Nakatani

(10) **Patent No.:** **US D684,807 S**
(45) **Date of Patent:** **** Jun. 25, 2013**

- (54) **ELECTRIC RICE COOKER**
- (71) Applicant: **Zojirushi Corporation**, Osaka (JP)
- (72) Inventor: **Shizuo Nakatani**, Osaka (JP)
- (73) Assignee: **Zojirushi Corporation** (JP)
- (**) Term: **14 Years**
- (21) Appl. No.: **29/437,359**
- (22) Filed: **Nov. 15, 2012**
- (30) **Foreign Application Priority Data**
 - May 18, 2012 (JP) 2012-011657
- (51) **LOC (9) Cl.** **07-02**
- (52) **U.S. Cl.**
 - USPC **D7/354**
- (58) **Field of Classification Search**
 - USPC D7/323, 329–332, 337–339, 346–347,
D7/350.1–350.4, 353–367, 391–395, 402–406,
D7/538–543, 608, 665; 99/324–325, 330–332,
99/337–343, 366–369, 400–418, 422, 425,
99/444, 483; 126/37 R, 41 R, 261, 369, 378.1;
206/501–505, 507–508; 219/387, 400, 405,
219/429–442, 452.11, 620–624, 725, 730–735;
220/314–315, 573.1–573.5, 592.16, 912;
426/438, 441

See application file for complete search history.

D587,960 S *	3/2009	Kotani	D7/354
D604,092 S *	11/2009	Kotani	D7/354
D609,522 S *	2/2010	Nakatani	D7/354
D632,128 S *	2/2011	Lam	D7/354
D637,452 S *	5/2011	Nakatani	D7/354
D641,586 S *	7/2011	Martin	D7/361

FOREIGN PATENT DOCUMENTS

JP	1062852	3/2000
JP	1186437	9/2003
JP	1205084	5/2004
JP	1218468	9/2004
JP	1220117	10/2004
JP	1285491	11/2006
JP	1292893	2/2007
JP	1331563	6/2008
JP	1332874	6/2008
JP	1347964	1/2009
JP	1350247	2/2009
JP	1360140	5/2009
JP	1403811	12/2010
JP	1405249	1/2011
JP	1405252	1/2011

* cited by examiner

Primary Examiner — Ricky Pham

(74) *Attorney, Agent, or Firm* — Saidman DesignLaw Group

(57) **CLAIM**

The ornamental design for an electric rice cooker, as shown and described.

DESCRIPTION

FIG. 1 is a perspective view of an electric rice cooker showing my new design;
FIG. 2 is a right side view thereof;
FIG. 3 is a left side view thereof;
FIG. 4 is a top view thereof;
FIG. 5 is a bottom view thereof;
FIG. 6 is a front view thereof; and,
FIG. 7 is a rear view thereof.

1 Claim, 7 Drawing Sheets

(56) **References Cited**

U.S. PATENT DOCUMENTS

D330,825 S *	11/1992	Sekita et al.	D7/354
D410,815 S *	6/1999	Oger	D7/354
D414,072 S *	9/1999	Powell	D7/354
D464,526 S *	10/2002	Brown	D7/354
D475,570 S *	6/2003	Josancy	D7/354
D489,935 S *	5/2004	Choi	D7/354
D505,293 S *	5/2005	Jung	D7/354

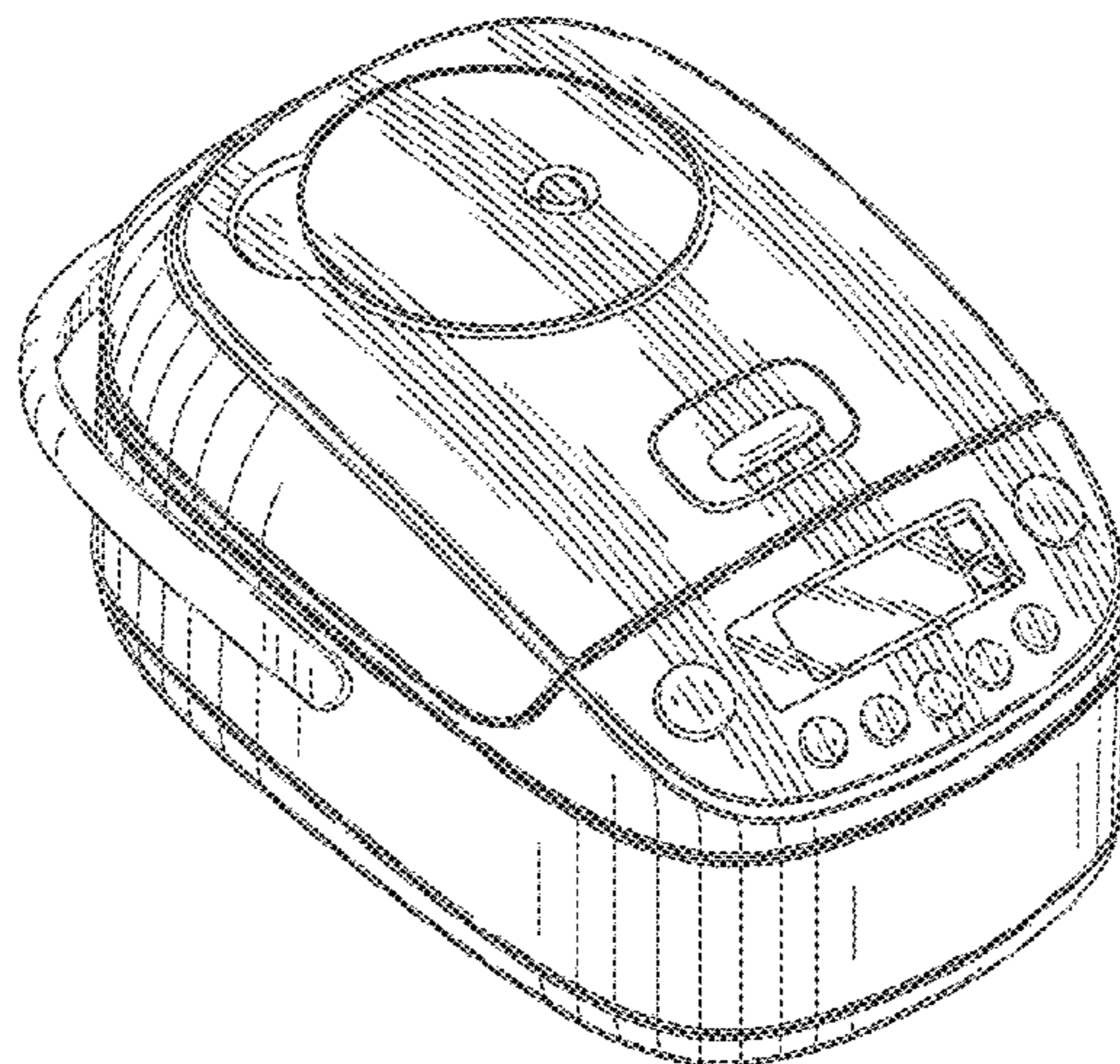


Fig. 1

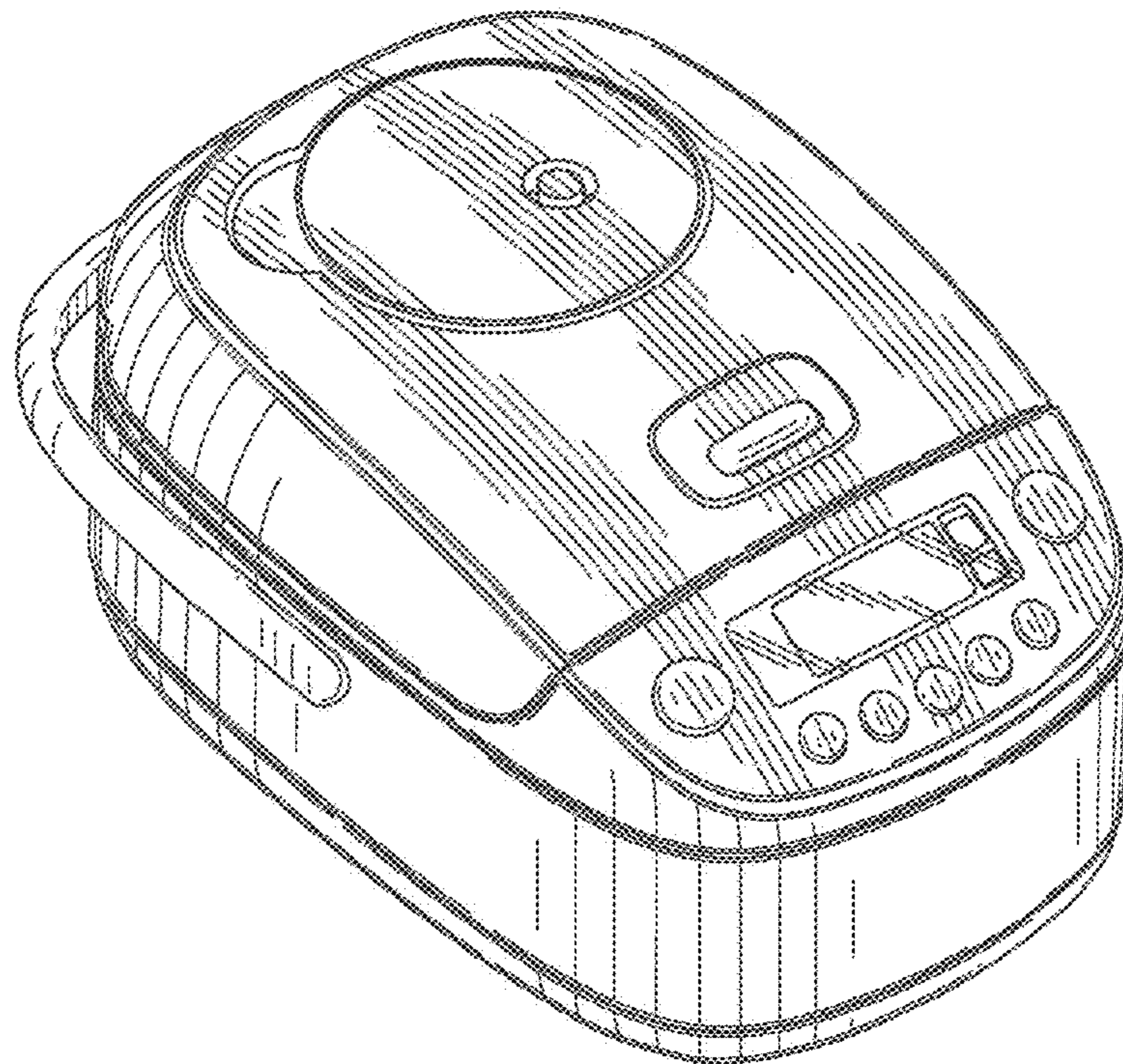


Fig. 2

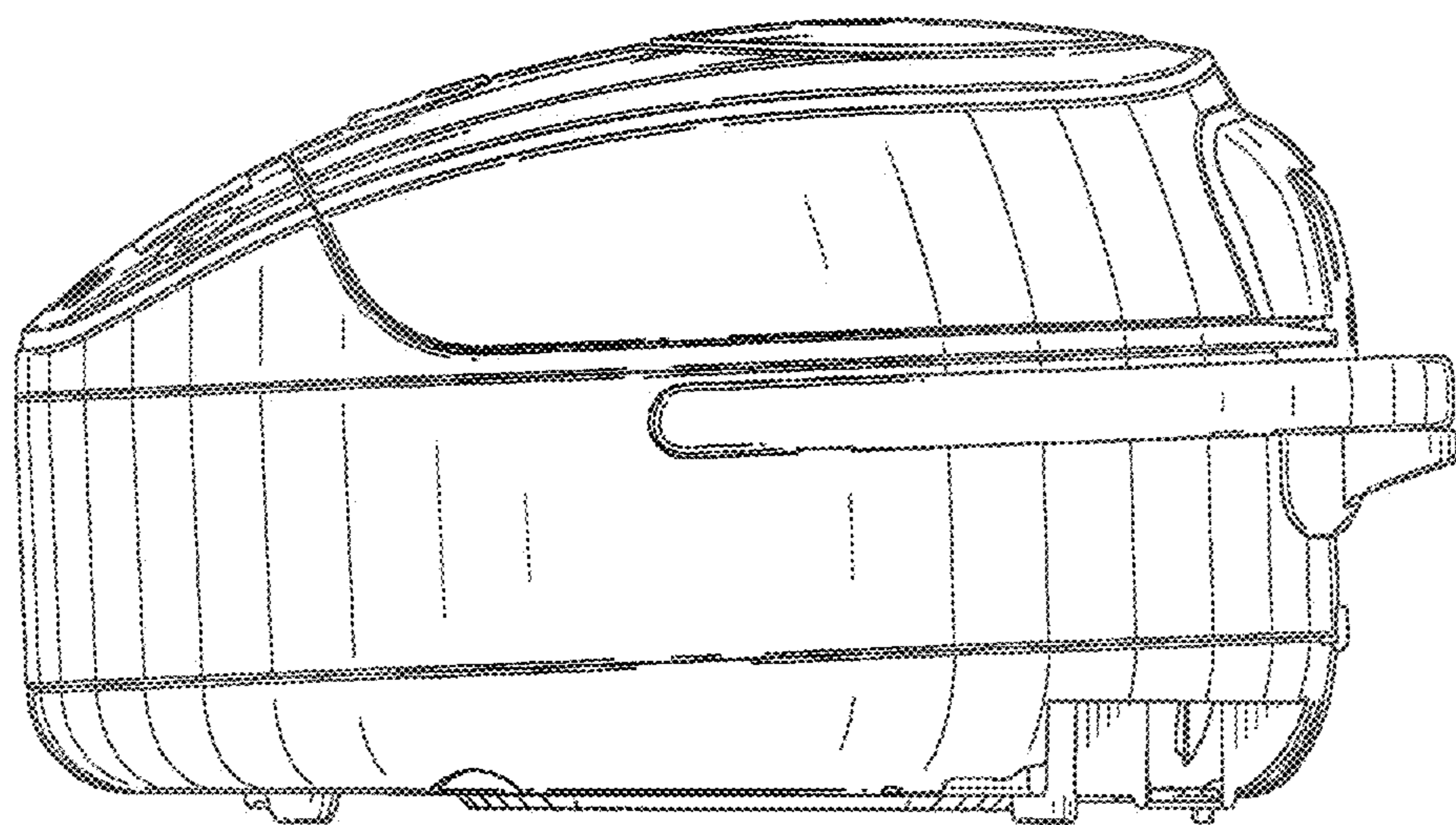


Fig. 3

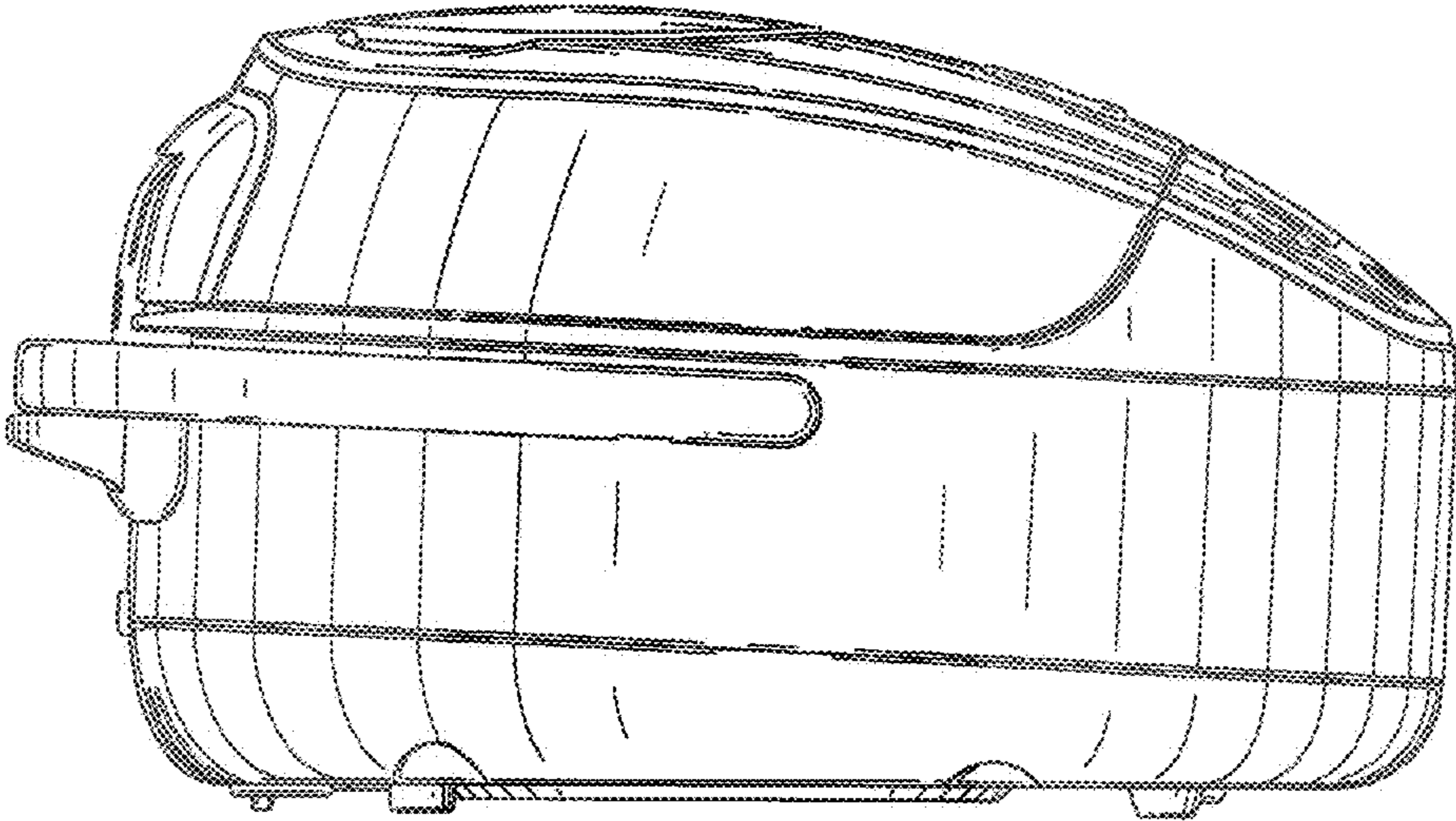


Fig. 4

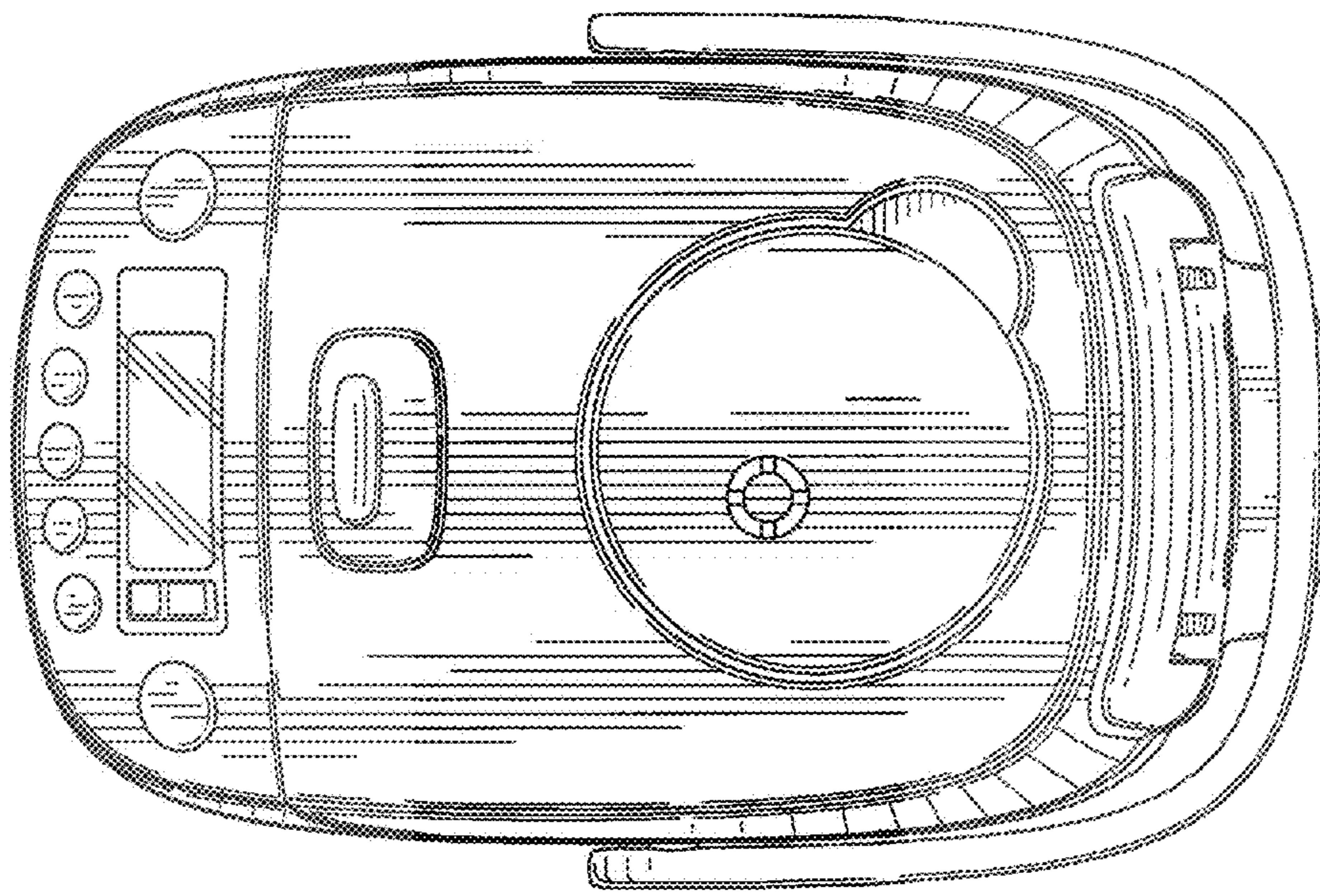


Fig. 5

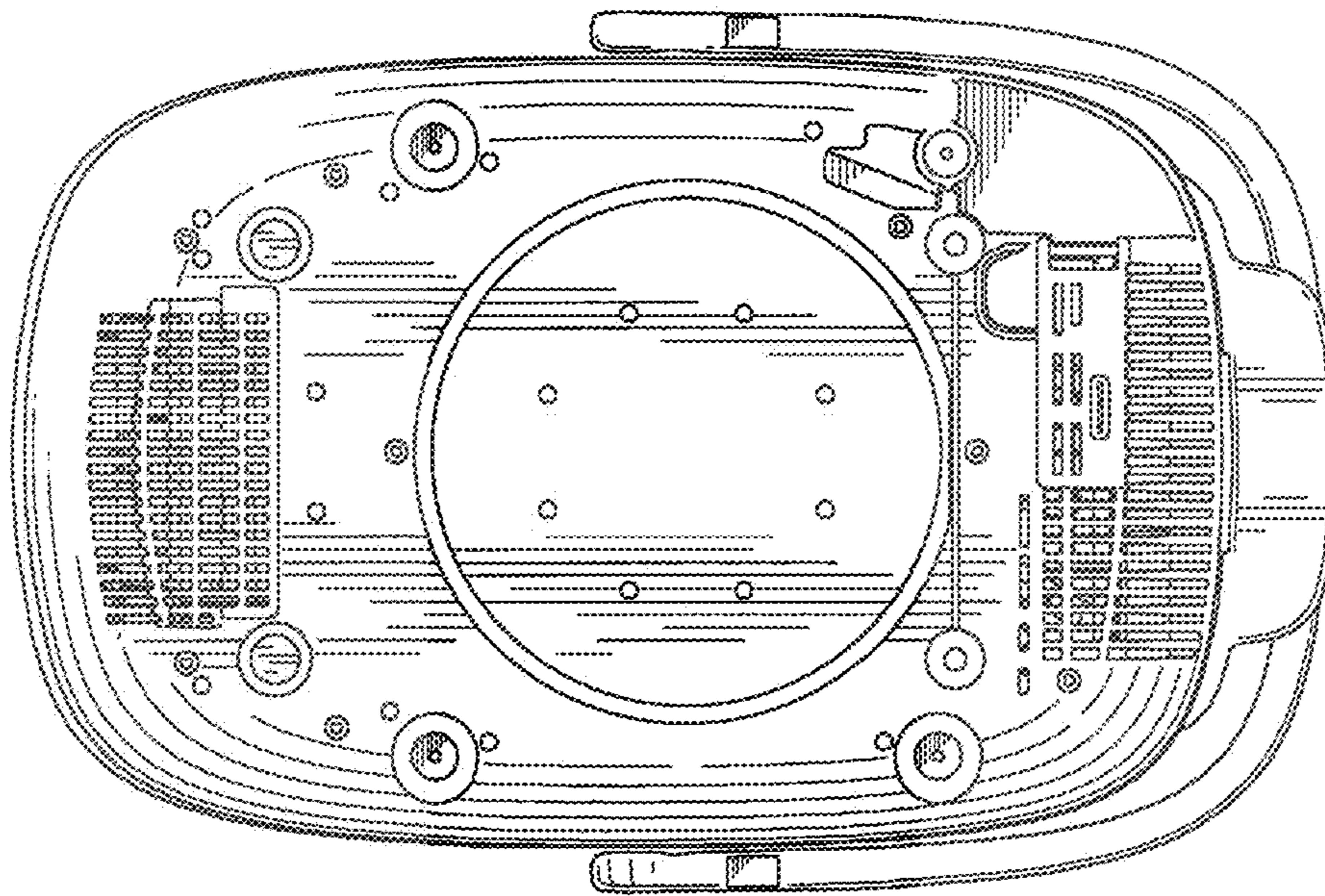


Fig. 6

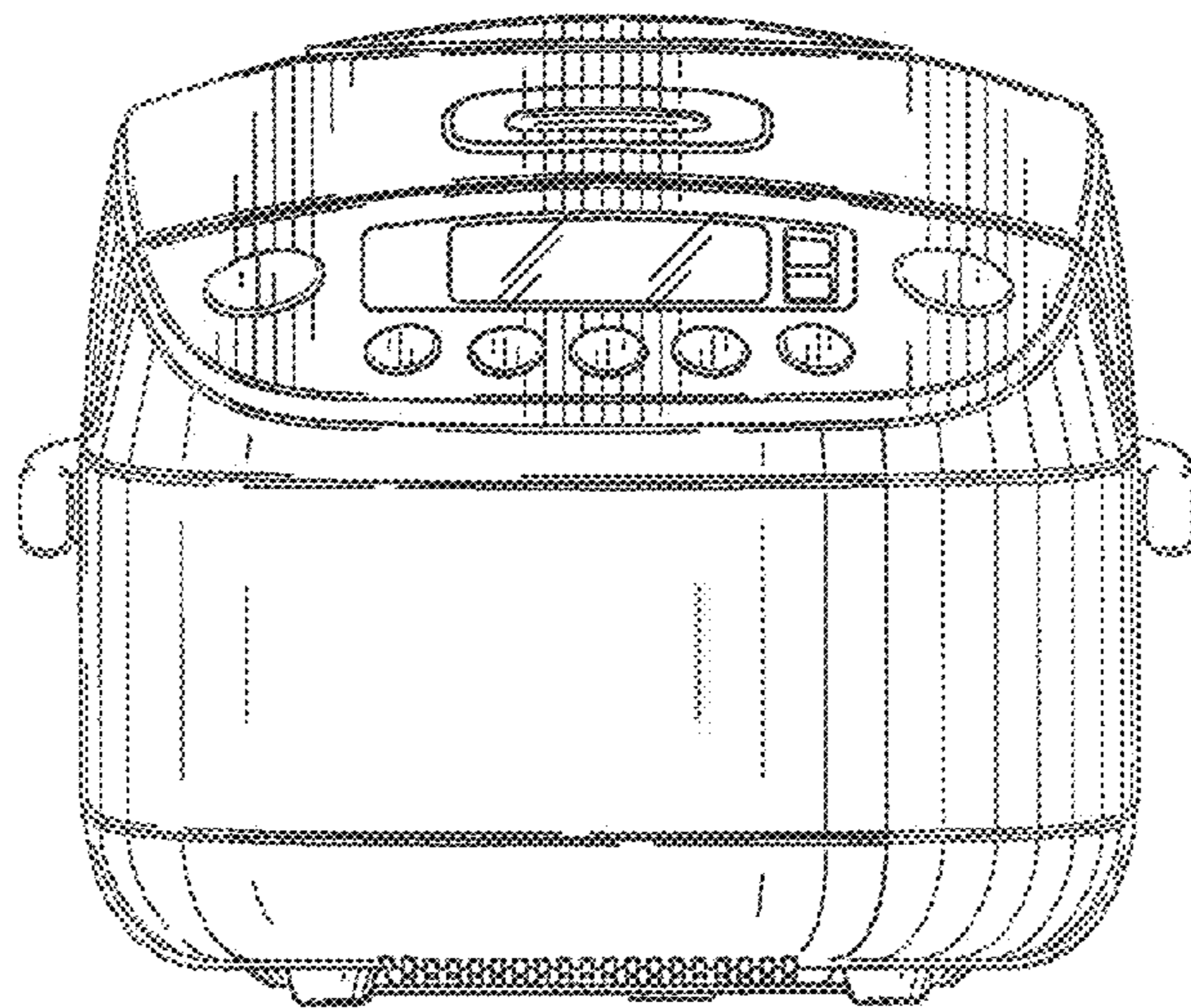


Fig. 7

