



US00D684803S

(12) **United States Design Patent**
Hsiao

(10) **Patent No.:** **US D684,803 S**
(45) **Date of Patent:** **** Jun. 25, 2013**

(54) **SEAT FRAME**

(71) Applicant: **Yun-Cheng Hsiao**, Tainan (TW)

(72) Inventor: **Yun-Cheng Hsiao**, Tainan (TW)

(**) Term: **14 Years**

(21) Appl. No.: **29/433,595**

(22) Filed: **Oct. 2, 2012**

(51) **LOC (9) Cl.** **06-01**

(52) **U.S. Cl.**
USPC **D6/716.1; D6/366**

(58) **Field of Classification Search**
USPC D6/334–336, 364, 365, 366, 367,
D6/371–374, 376, 379, 380, 716, 716.1, 716.2,
D6/716.3, 716.4; 297/218.4, 284.11, 301.1,
297/440.11, 452.18, 452.2, 452.21, 452.59,
297/452.63

See application file for complete search history.

(56) **References Cited**

U.S. PATENT DOCUMENTS

6,499,802	B2 *	12/2002	Drira	297/284.11
7,147,286	B2 *	12/2006	Cesaroni et al.	297/301.1
8,033,612	B2 *	10/2011	Smith et al.	297/452.21
8,038,221	B2 *	10/2011	Smith et al.	297/440.11

D659,446	S *	5/2012	Wu	D6/716.1
D673,796	S *	1/2013	Su	D6/716.4
2002/0145326	A1 *	10/2002	Liu	297/440.11

* cited by examiner

Primary Examiner — Mimoso De

(74) *Attorney, Agent, or Firm* — The Weintraub Group, P.L.C.

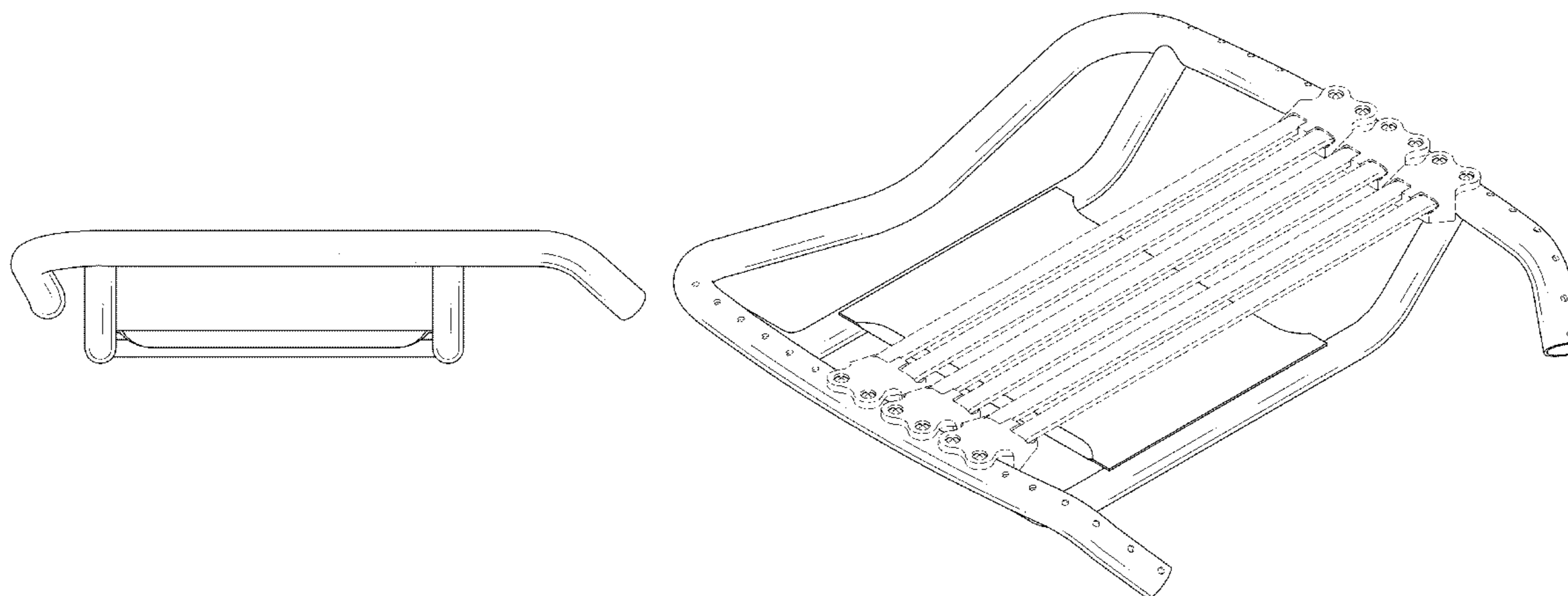
(57) **CLAIM**

The ornamental design for a seat frame, as shown and described.

DESCRIPTION

FIG. 1 is a perspective view of a seat frame, showing my new design;
 FIG. 2 is a front view thereof;
 FIG. 3 is a rear view thereof;
 FIG. 4 is a left side view thereof;
 FIG. 5 is a right side view thereof;
 FIG. 6 is a top view thereof;
 FIG. 7 is a bottom view thereof; and,
 FIG. 8 is another perspective view thereof connected to multiple resilient strips.
 The broken lines on the drawings are shown for illustrative purposes only and form no part of the claimed design.

1 Claim, 6 Drawing Sheets



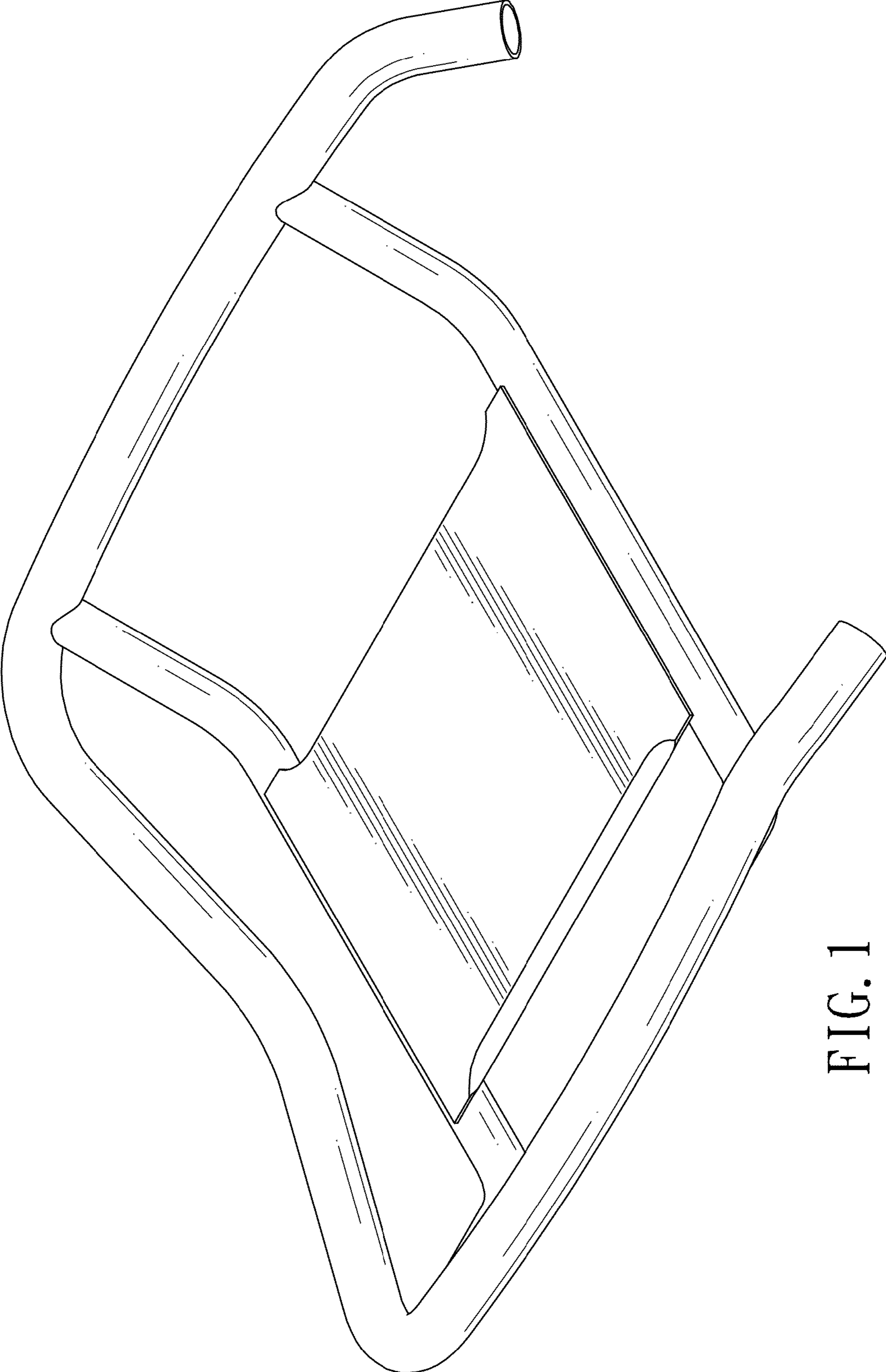


FIG. 1

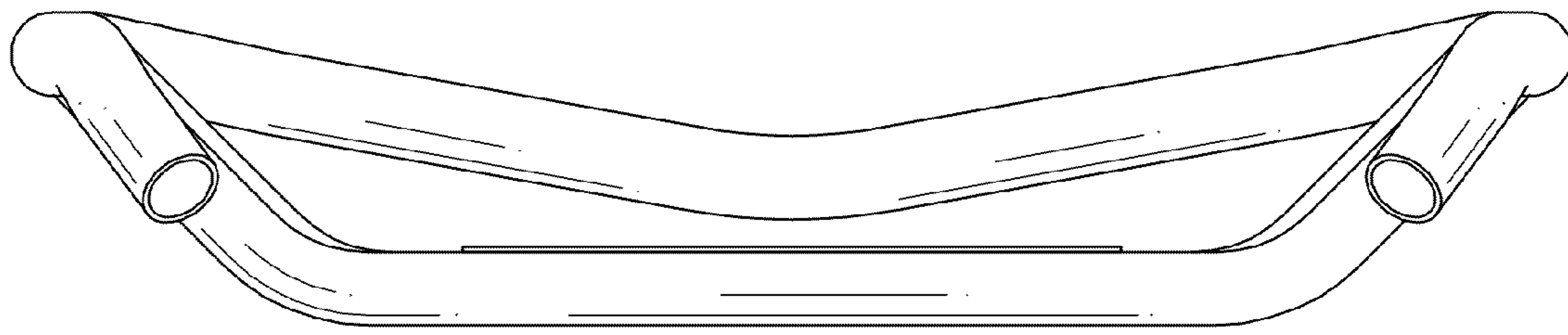


FIG. 2

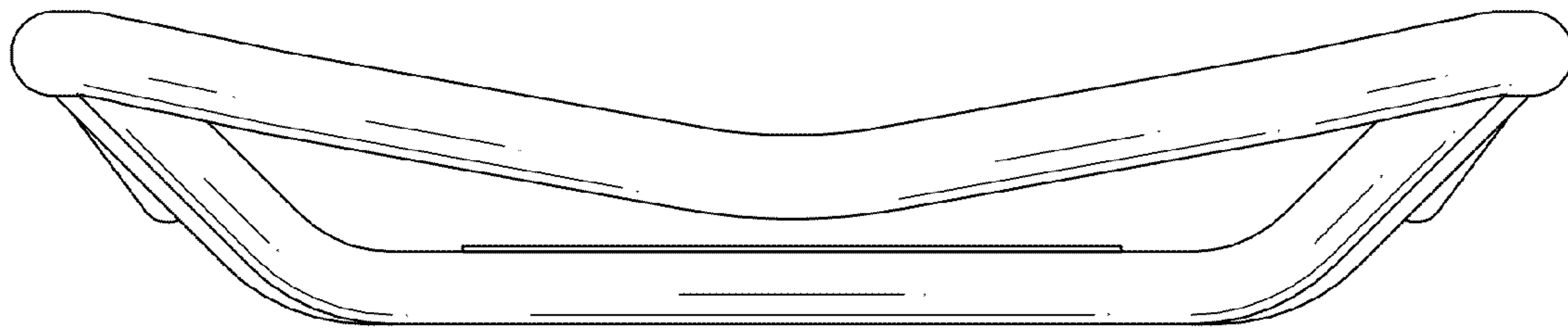


FIG. 3

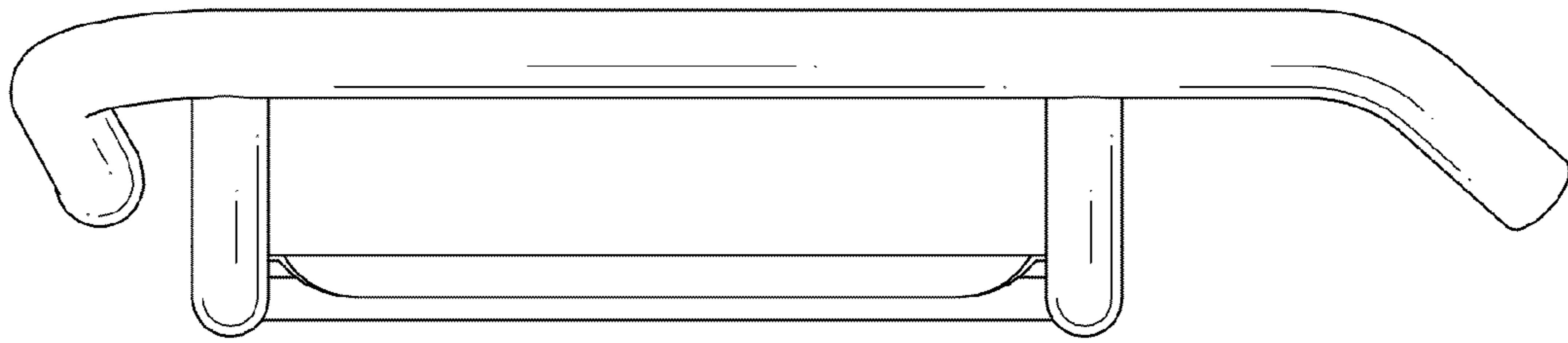


FIG. 4

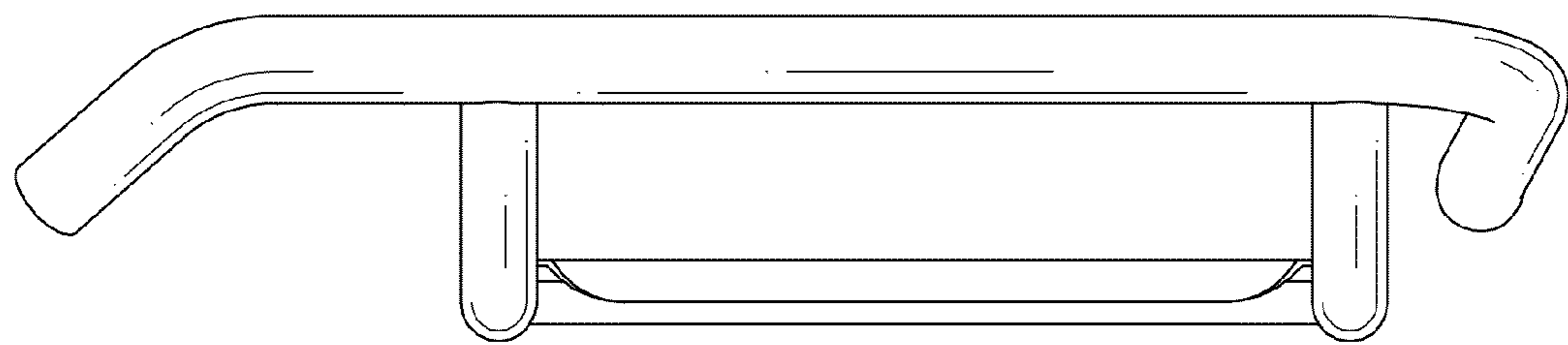


FIG. 5

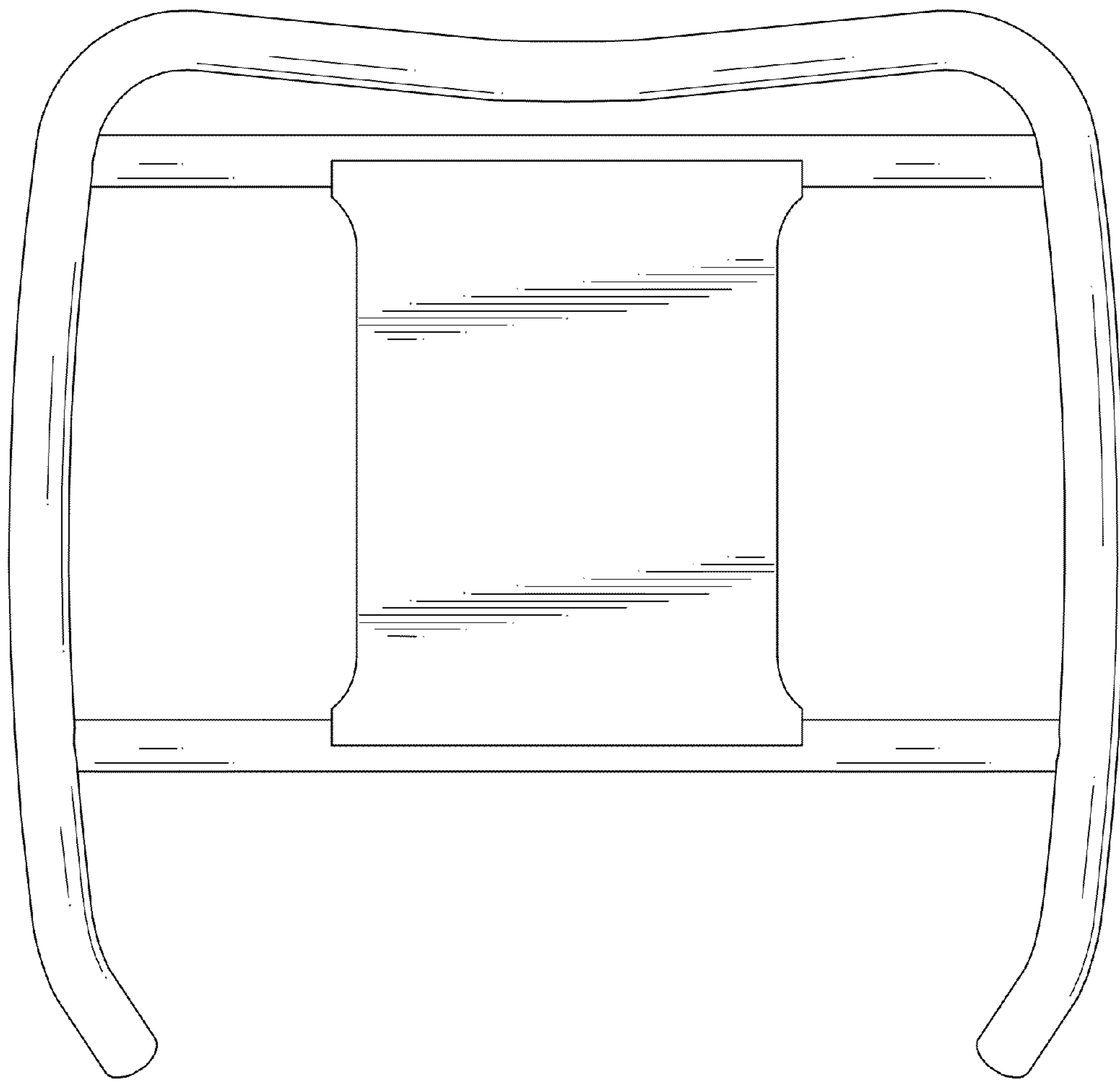


FIG. 6

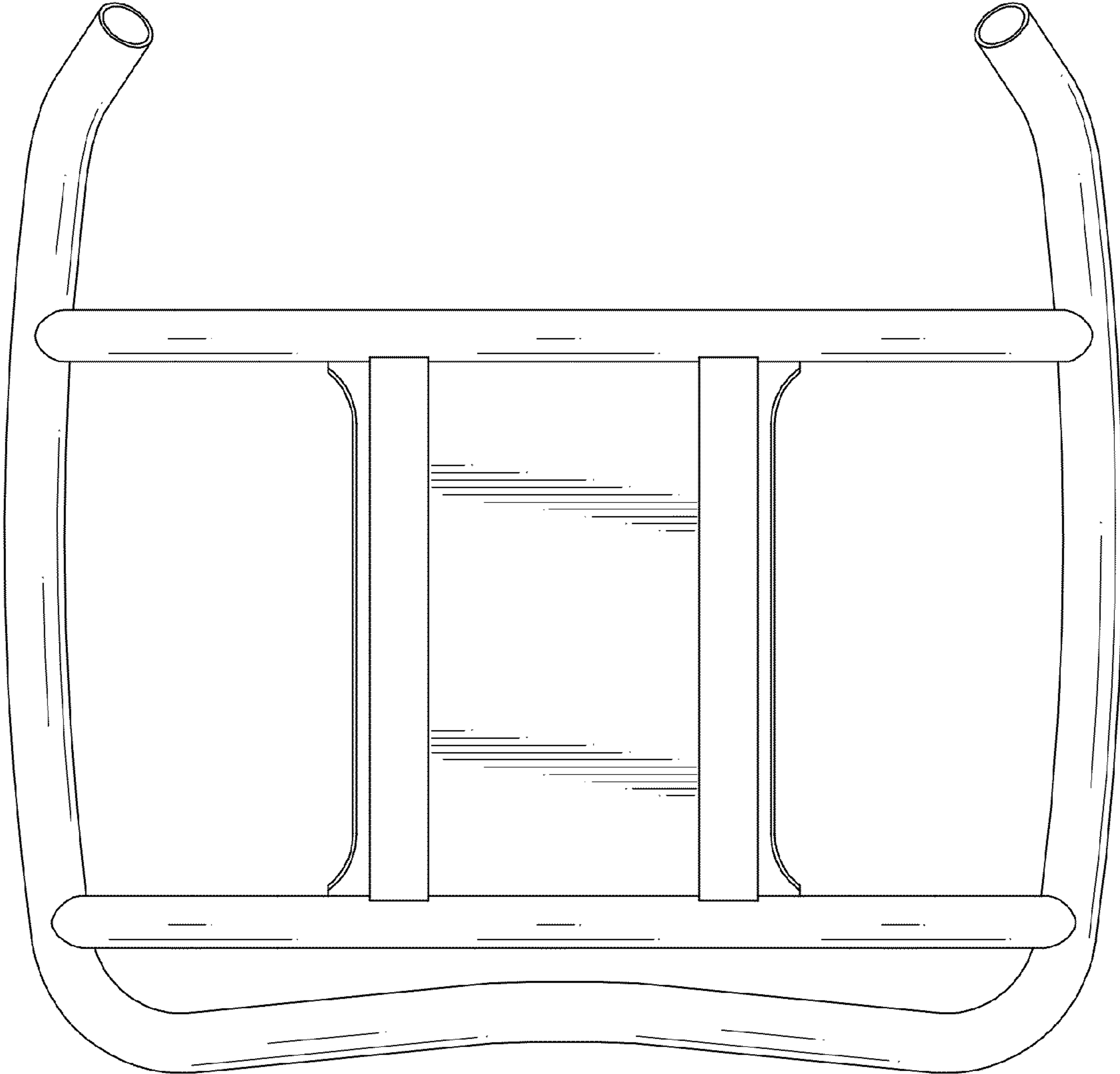


FIG. 7

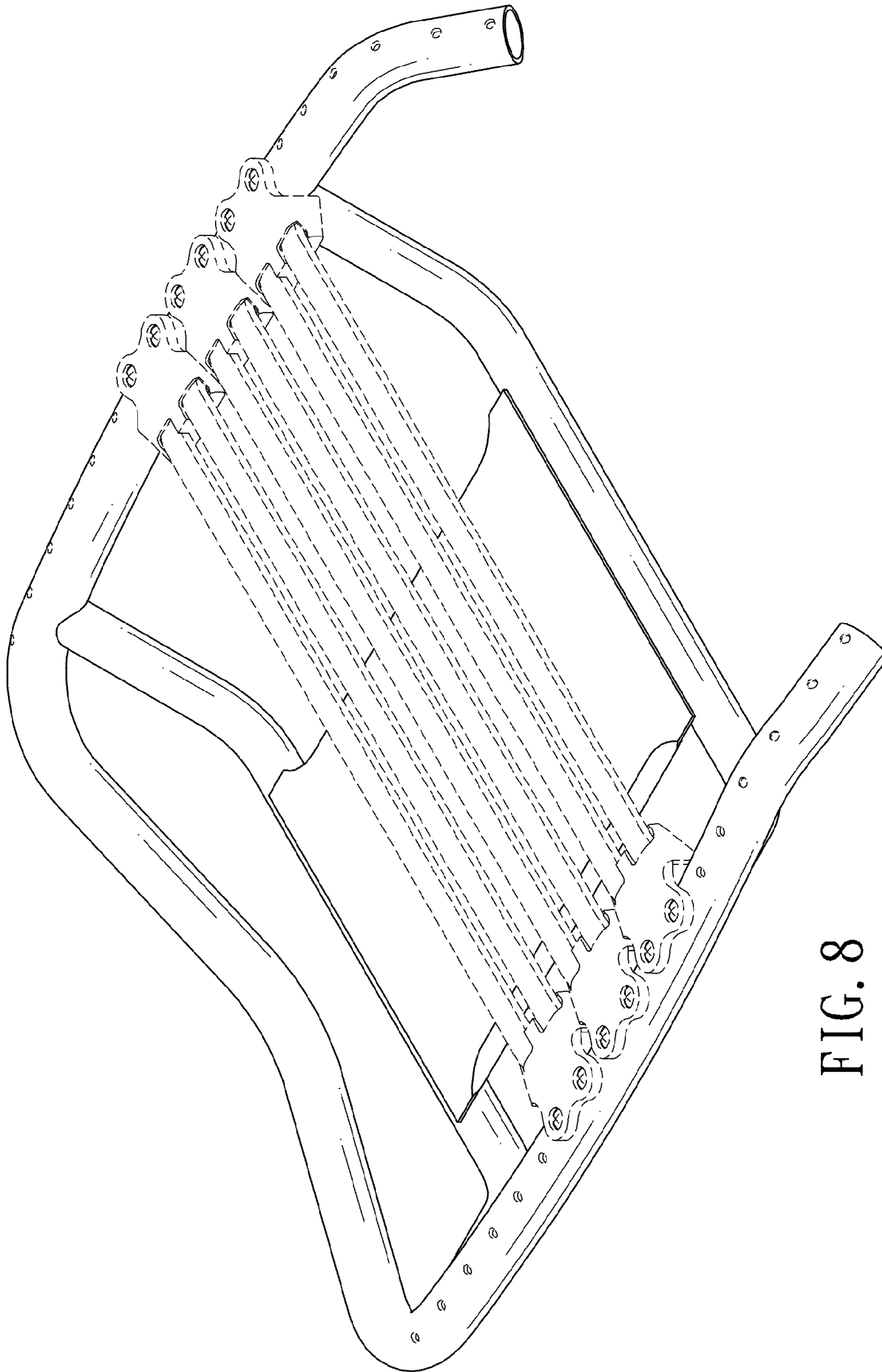


FIG. 8