



US00D684802S

(12) **United States Design Patent**  
**Johnson et al.**

(10) **Patent No.:** **US D684,802 S**  
(45) **Date of Patent:** **\*\* Jun. 25, 2013**

(54) **HOTEL FOOD SERVICE AREA**  
(75) Inventors: **Patrick Brian Johnson**, Atlanta, GA  
(US); **David Scott Heimbuch**, Decatur,  
GA (US)

(73) Assignee: **Six Continents Hotels, Inc.**, Atlanta,  
GA (US)

(\*\*) Term: **14 Years**

(21) Appl. No.: **29/404,882**

(22) Filed: **Oct. 26, 2011**

(51) **LOC (9) Cl.** ..... **06-03**

(52) **U.S. Cl.**  
USPC ..... **D6/699.2**

(58) **Field of Classification Search**  
USPC ..... D6/397, 402, 481, 421, 422, 423,  
D6/426, 486, 432; 312/239, 194, 196, 198,  
312/140.1, 140.2  
See application file for complete search history.

(56) **References Cited**

U.S. PATENT DOCUMENTS

D104,130 S \* 4/1937 Behrel et al. .... D6/481  
D104,132 S \* 4/1937 Behrel et al. .... D6/481

D396,582 S \* 8/1998 Ilitch et al. .... D6/481  
D441,563 S \* 5/2001 Chau et al. .... D6/422  
D488,319 S \* 4/2004 Harwanko ..... D6/397

\* cited by examiner

*Primary Examiner* — Janice Seeger  
(74) *Attorney, Agent, or Firm* — Kilpatrick Townsend &  
Stockton LLP

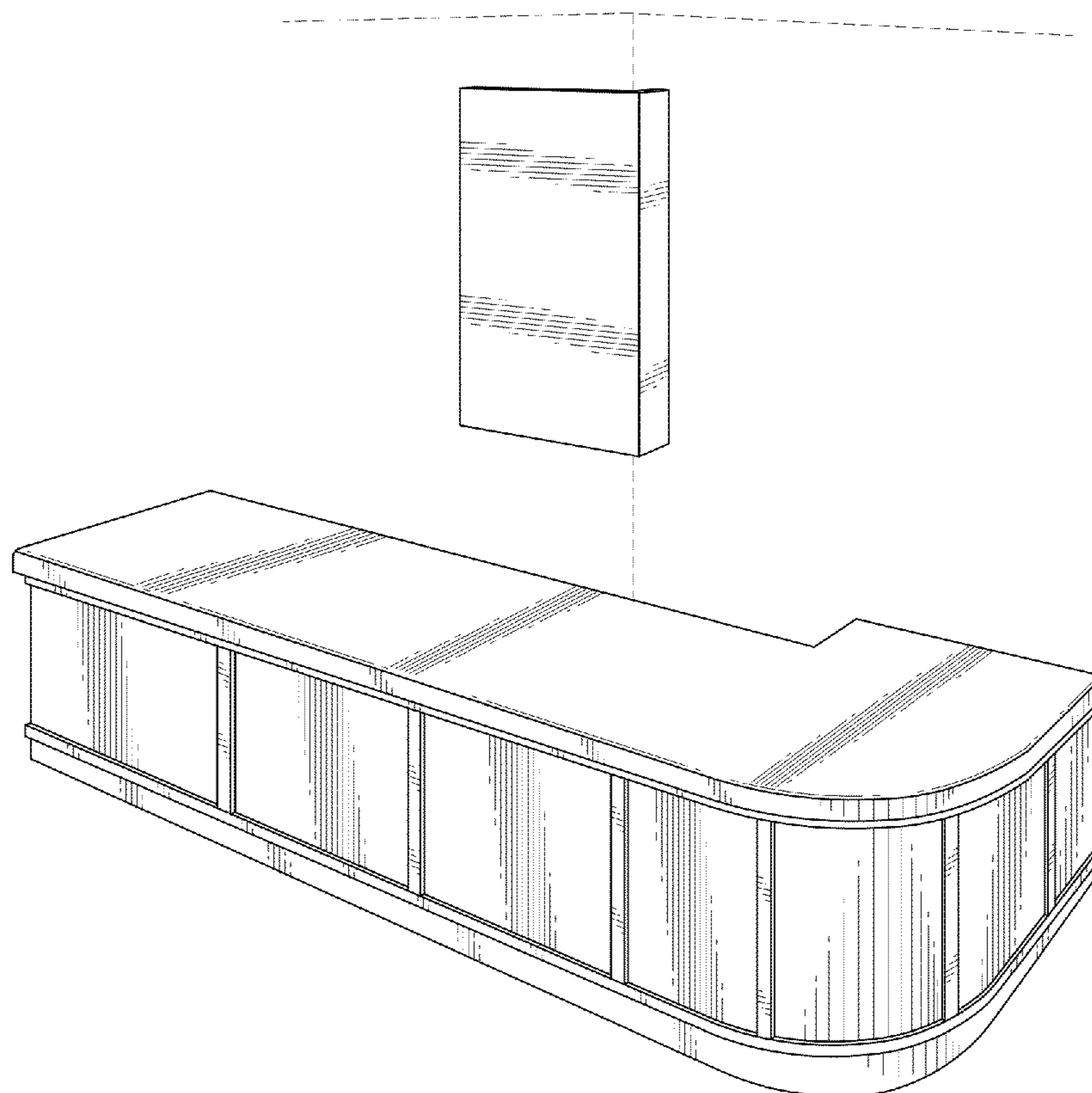
(57) **CLAIM**

The ornamental design for a hotel food service area, as shown  
and described.

**DESCRIPTION**

FIG. 1 is a perspective view of a hotel food service area  
showing our new design;  
FIG. 2 is a front elevational view thereof;  
FIG. 3 is a left side elevational view thereof;  
FIG. 4 is a right side elevational view thereof; and,  
FIG. 5 is a top plan view thereof.  
The broken line showing is for illustrative purposes only and  
forms no part of the claimed design.

**1 Claim, 4 Drawing Sheets**



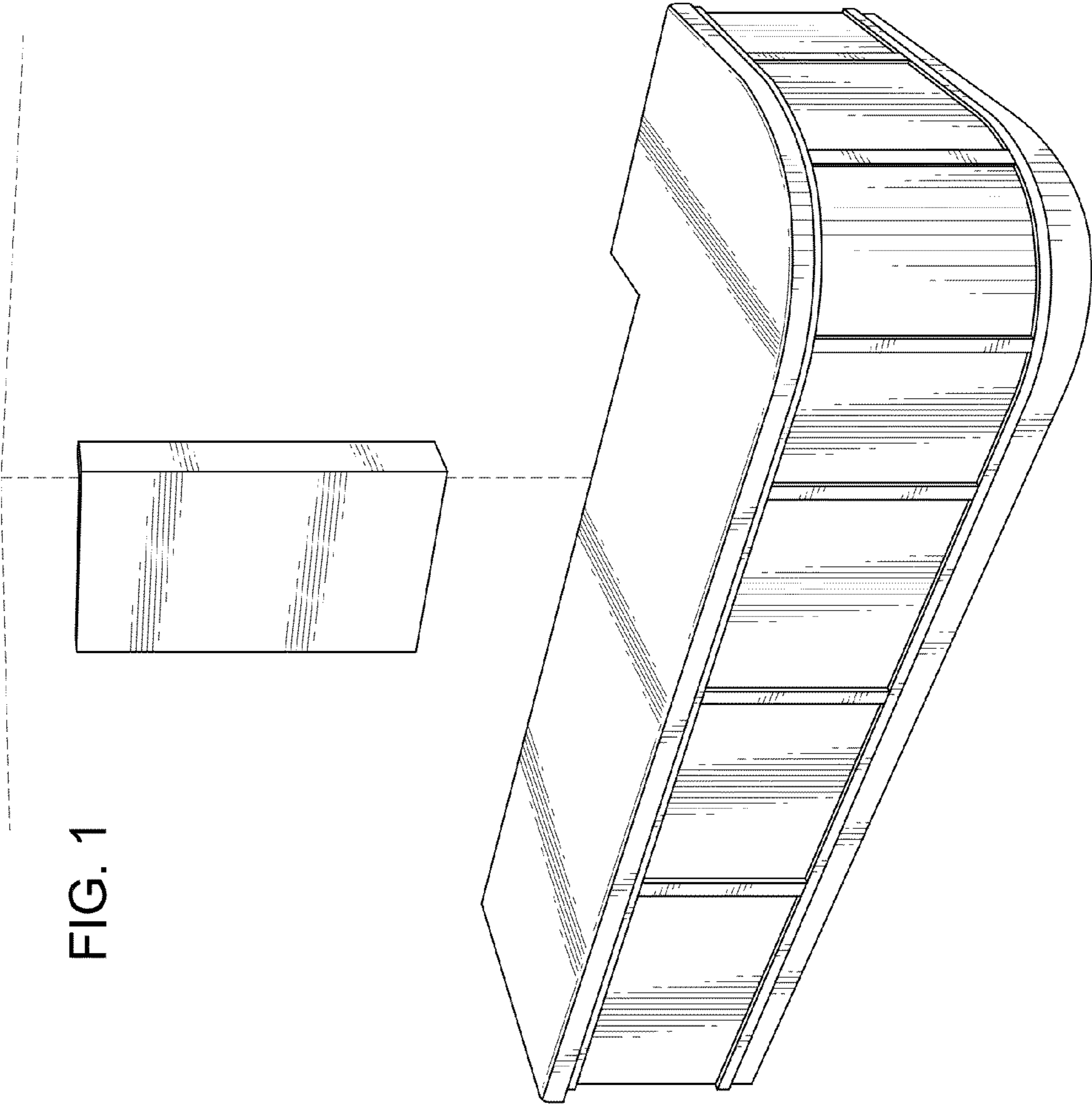
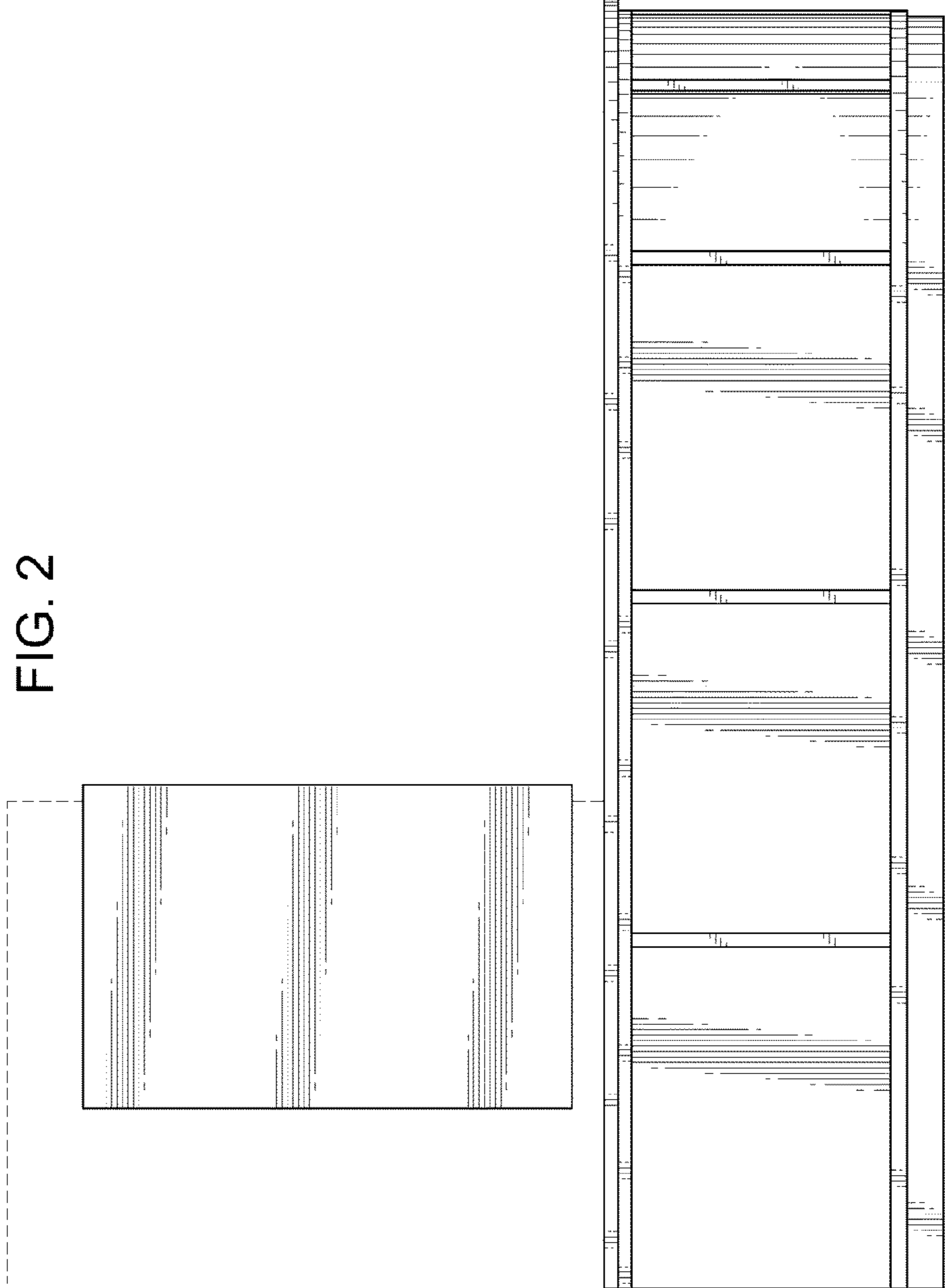


FIG. 1

FIG. 2



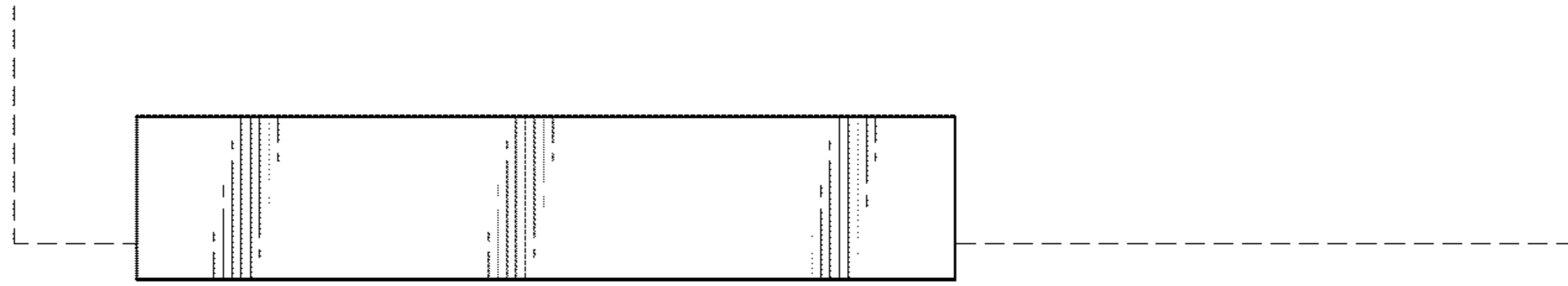


FIG. 4

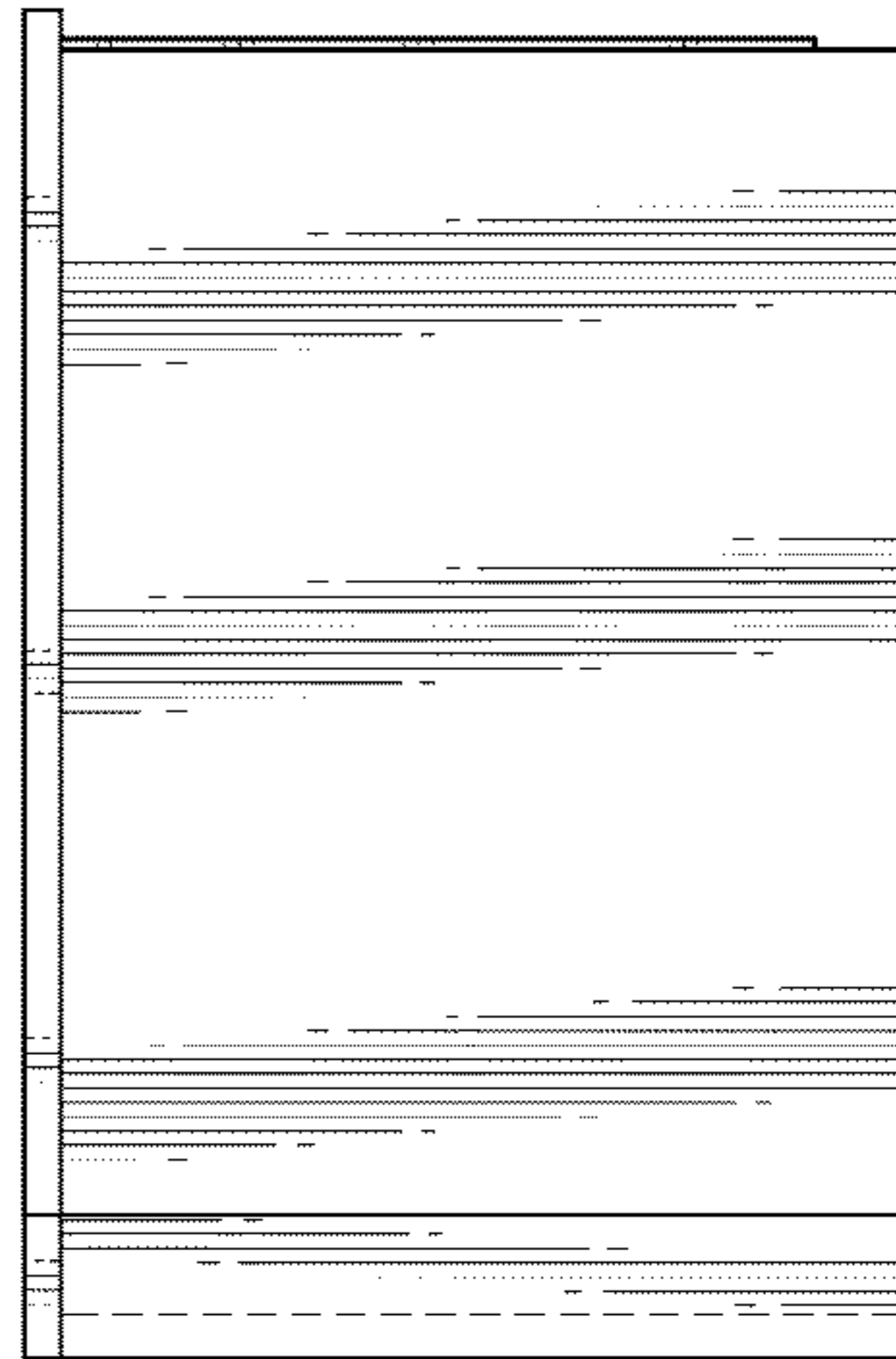
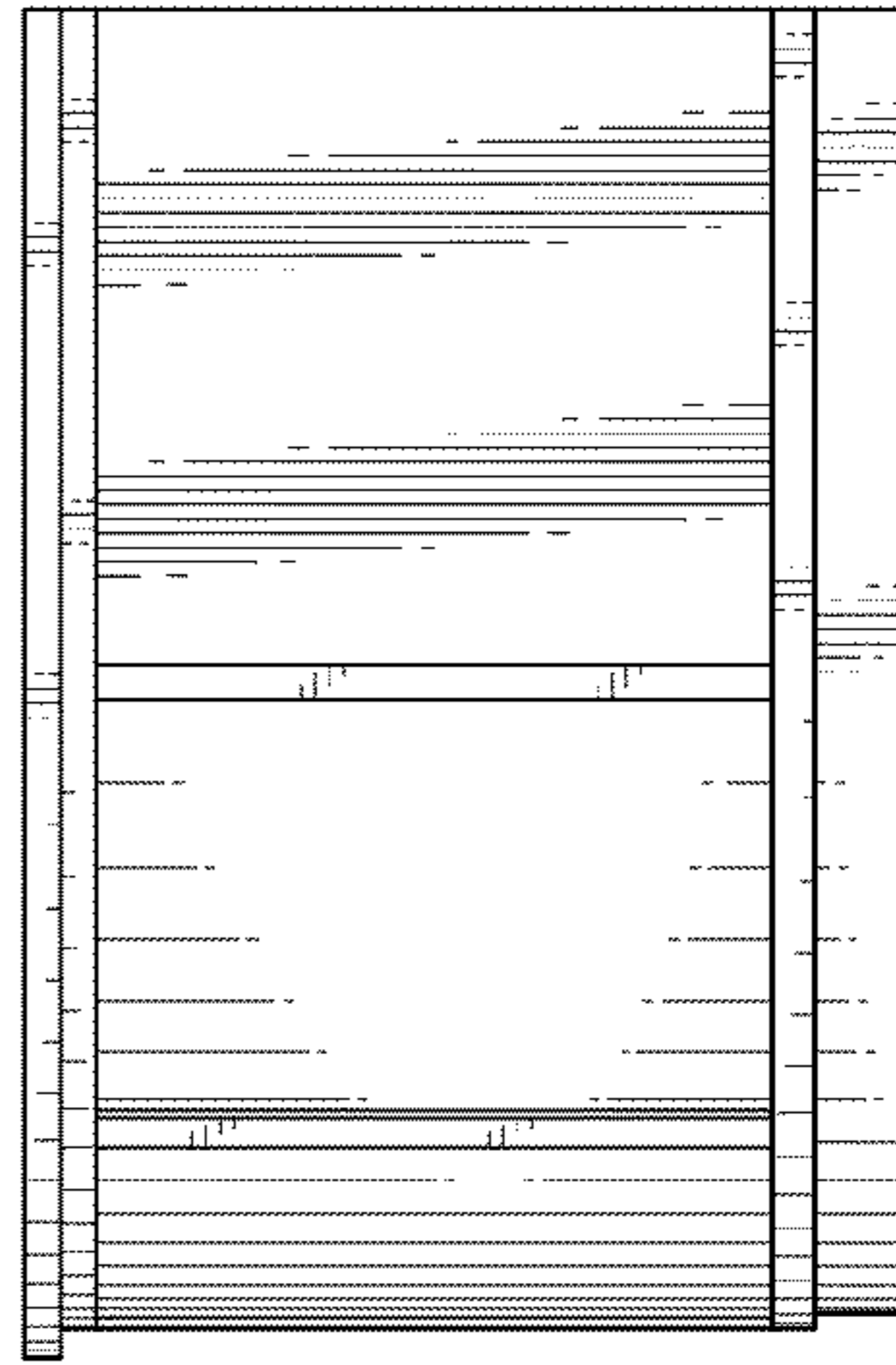


FIG. 3

