



US00D684801S

(12) **United States Design Patent**
Elliott et al.

(10) **Patent No.:** **US D684,801 S**

(45) **Date of Patent:** **** Jun. 25, 2013**

(54) **HOTEL RESERVATION DESK**

(56) **References Cited**

(75) Inventors: **Gavin Elliott**, Amsterdam (NL); **Ian Hendricks**, Amsterdam (NL); **George Gottl**, Amsterdam (NL); **Oliver Michell**, Amsterdam (NL); **Jackie Ball**, Amsterdam (NL)

U.S. PATENT DOCUMENTS

D91,106	S	*	11/1933	Faire	D6/481
D116,579	S	*	9/1939	Smith	D6/444
D167,611	S	*	9/1952	Bradhshear, Jr	D6/422
D264,784	S	*	6/1982	Johnson	D6/451
D341,010	S	*	11/1993	Johnson	D34/17
D458,057	S	*	6/2002	Nichols	D6/481

(73) Assignee: **Six Continents Hotels, Inc.**, Atlanta, GA (US)

* cited by examiner

Primary Examiner — Janice Seeger

(**) Term: **14 Years**

(74) *Attorney, Agent, or Firm* — Kilpatrick Townsend & Stockton LLP

(21) Appl. No.: **29/414,220**

(57) **CLAIM**
The ornamental design for a hotel reservation desk, as shown and described.

(22) Filed: **Feb. 27, 2012**

DESCRIPTION

(51) **LOC (9) Cl.** **06-03**

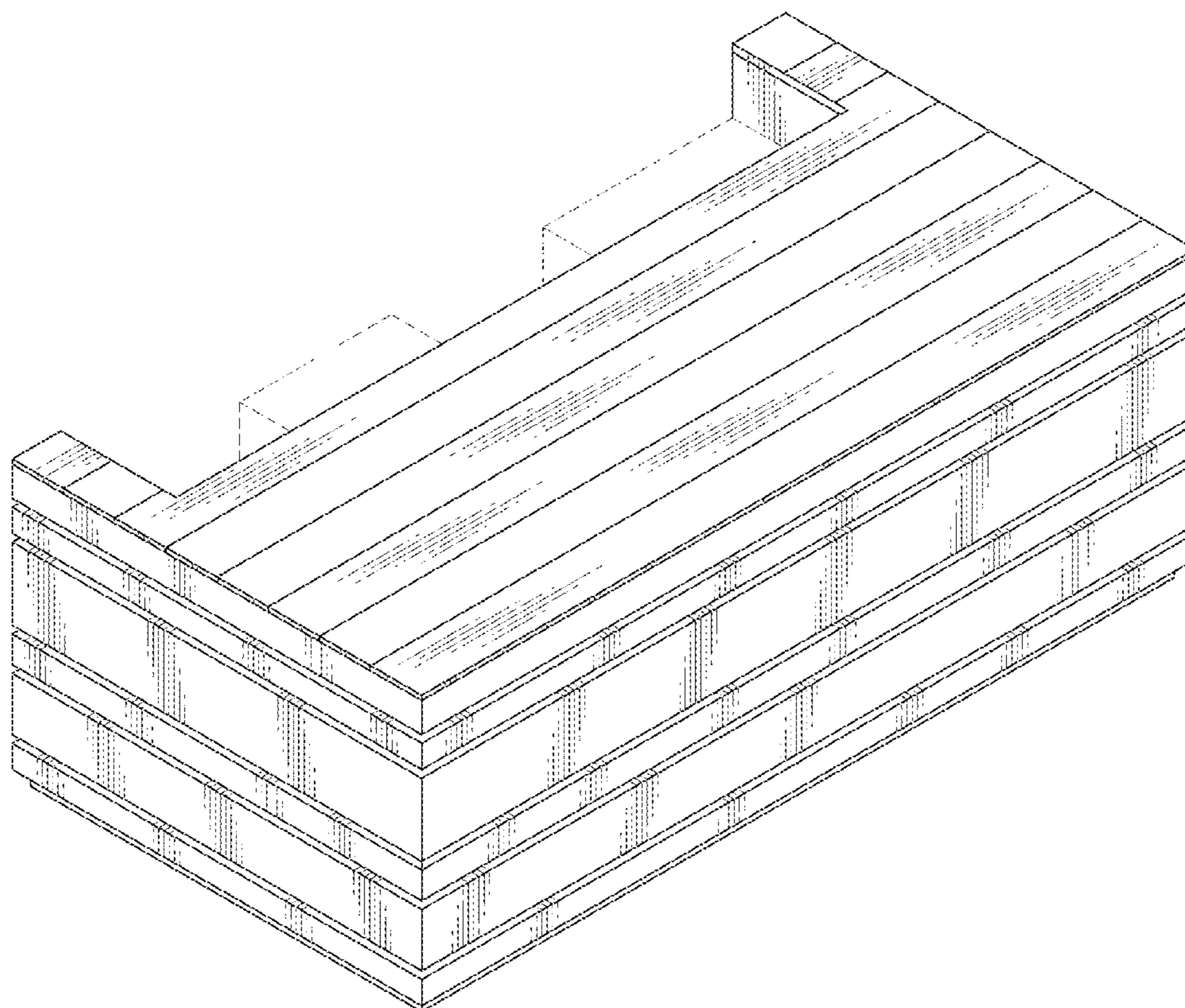
(52) **U.S. Cl.**
USPC **D6/699**

(58) **Field of Classification Search**
USPC D6/397, 402, 481, 421, 422, 423,
D6/426, 486, 432; D25/26; 312/239, 194,
312/196, 198, 140.1, 140.2

FIG. 1 is a perspective view of a hotel reservation desk showing our new design;
FIG. 2 is a front elevational view thereof;
FIG. 3 is a right side elevational view thereof;
FIG. 4 is a left side elevational thereof; and,
FIG. 5 is a top plan view thereof.
The rear view of the article forms no part of the claimed design.

See application file for complete search history.

1 Claim, 3 Drawing Sheets



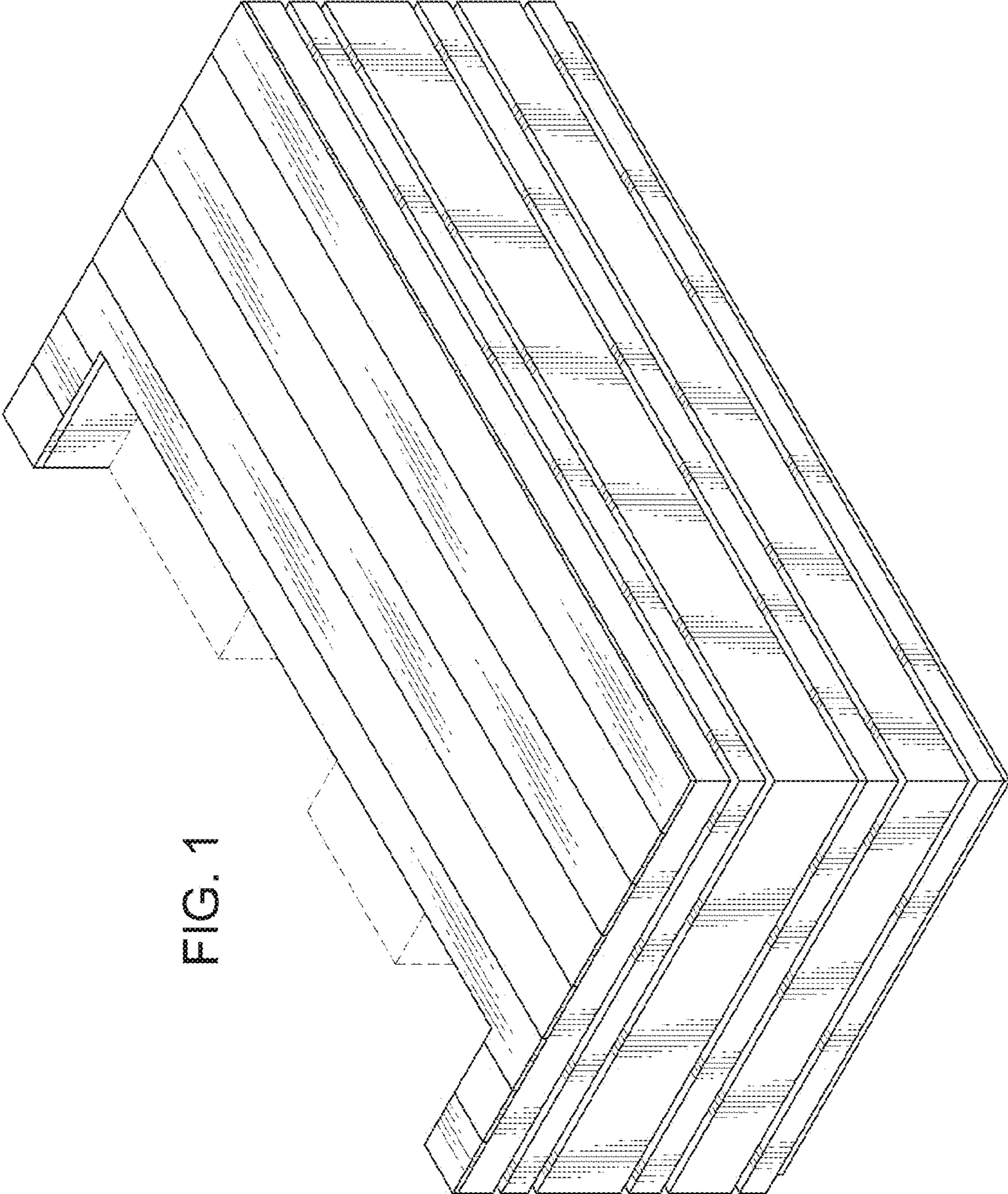


FIG. 1

FIG. 2

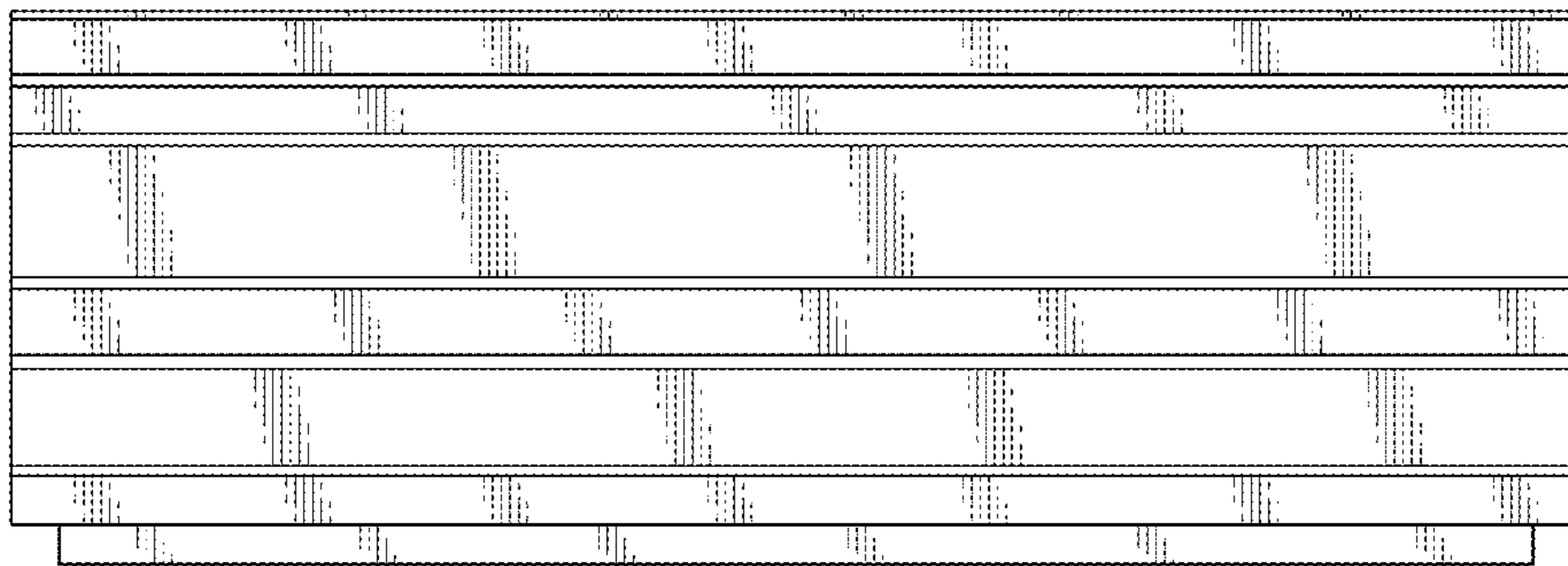


FIG. 3

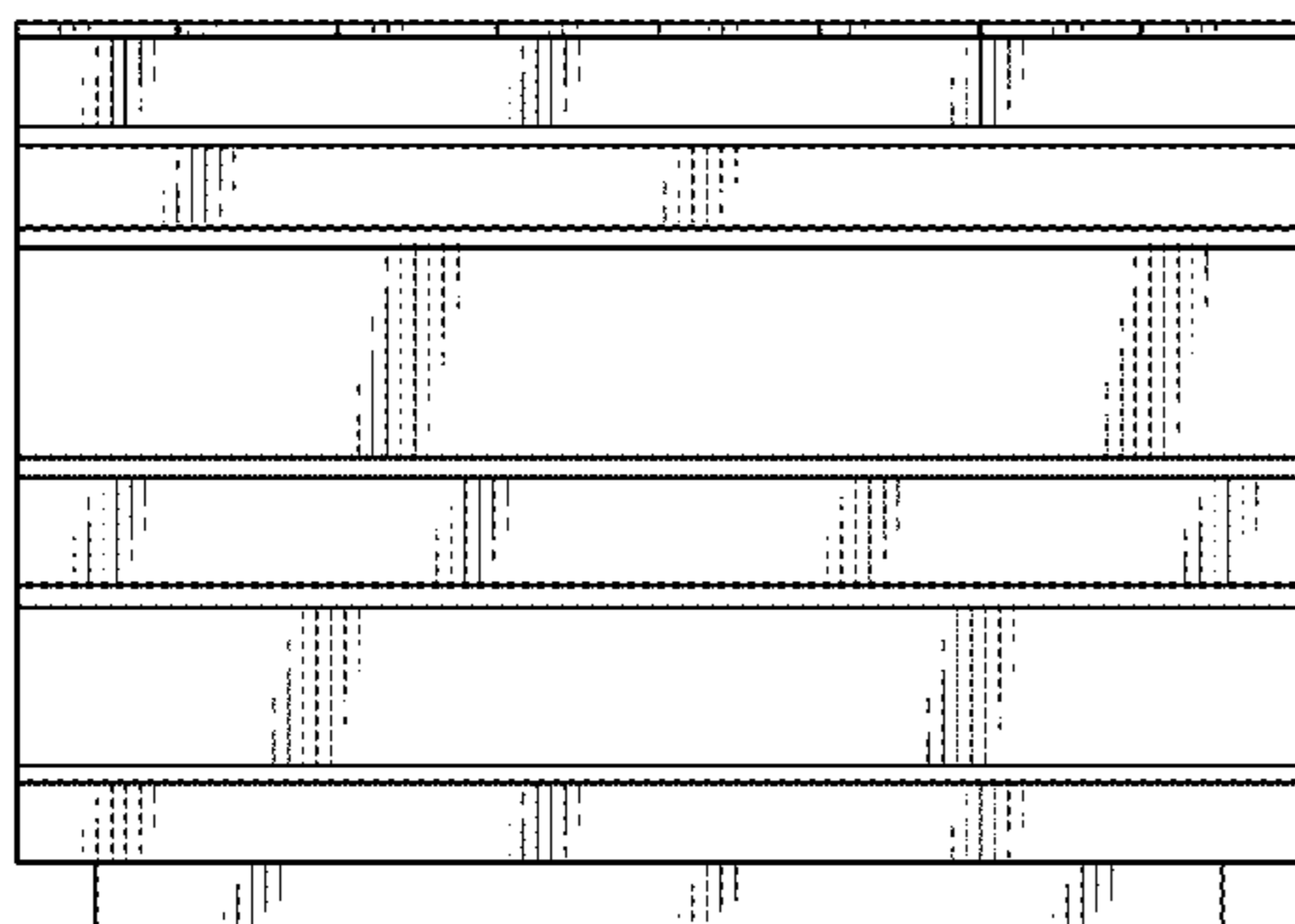


FIG. 4

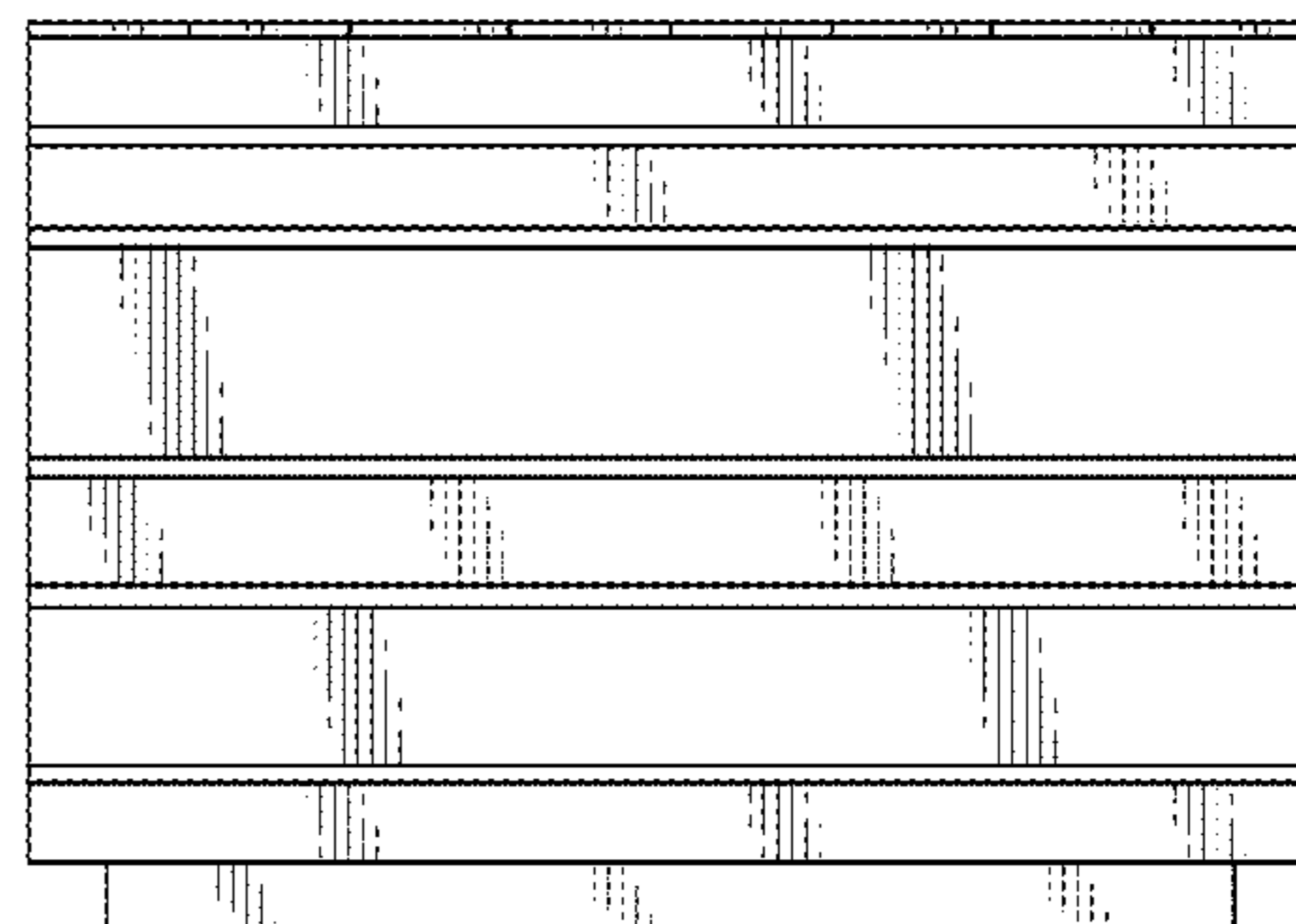


FIG. 5

FIG. 5 is a complex table with multiple rows and columns. The table is divided into several horizontal sections. The top section contains two columns of text. The second section contains a single column of text. The third section contains two columns of text. The fourth section contains a single column of text. The fifth section contains two columns of text. The sixth section contains a single column of text. The seventh section contains a single column of text. The eighth section contains a single column of text. The ninth section contains a single column of text. The tenth section contains a single column of text. The eleventh section contains a single column of text. The twelfth section contains a single column of text. The thirteenth section contains a single column of text. The fourteenth section contains a single column of text. The fifteenth section contains a single column of text. The sixteenth section contains a single column of text. The seventeenth section contains a single column of text. The eighteenth section contains a single column of text. The nineteenth section contains a single column of text. The twentieth section contains a single column of text. The twenty-first section contains a single column of text. The twenty-second section contains a single column of text. The twenty-third section contains a single column of text. The twenty-fourth section contains a single column of text. The twenty-fifth section contains a single column of text. The twenty-sixth section contains a single column of text. The twenty-seventh section contains a single column of text. The twenty-eighth section contains a single column of text. The twenty-ninth section contains a single column of text. The thirtieth section contains a single column of text. The thirty-first section contains a single column of text. The thirty-second section contains a single column of text. The thirty-third section contains a single column of text. The thirty-fourth section contains a single column of text. The thirty-fifth section contains a single column of text. The thirty-sixth section contains a single column of text. The thirty-seventh section contains a single column of text. The thirty-eighth section contains a single column of text. The thirty-ninth section contains a single column of text. The fortieth section contains a single column of text. The forty-first section contains a single column of text. The forty-second section contains a single column of text. The forty-third section contains a single column of text. The forty-fourth section contains a single column of text. The forty-fifth section contains a single column of text. The forty-sixth section contains a single column of text. The forty-seventh section contains a single column of text. The forty-eighth section contains a single column of text. The forty-ninth section contains a single column of text. The fiftieth section contains a single column of text. The fifty-first section contains a single column of text. The fifty-second section contains a single column of text. The fifty-third section contains a single column of text. The fifty-fourth section contains a single column of text. The fifty-fifth section contains a single column of text. The fifty-sixth section contains a single column of text. The fifty-seventh section contains a single column of text. The fifty-eighth section contains a single column of text. The fifty-ninth section contains a single column of text. The sixtieth section contains a single column of text. The sixty-first section contains a single column of text. The sixty-second section contains a single column of text. The sixty-third section contains a single column of text. The sixty-fourth section contains a single column of text. The sixty-fifth section contains a single column of text. The sixty-sixth section contains a single column of text. The sixty-seventh section contains a single column of text. The sixty-eighth section contains a single column of text. The sixty-ninth section contains a single column of text. The seventieth section contains a single column of text. The seventy-first section contains a single column of text. The seventy-second section contains a single column of text. The seventy-third section contains a single column of text. The seventy-fourth section contains a single column of text. The seventy-fifth section contains a single column of text. The seventy-sixth section contains a single column of text. The seventy-seventh section contains a single column of text. The seventy-eighth section contains a single column of text. The seventy-ninth section contains a single column of text. The eightieth section contains a single column of text. The eighty-first section contains a single column of text. The eighty-second section contains a single column of text. The eighty-third section contains a single column of text. The eighty-fourth section contains a single column of text. The eighty-fifth section contains a single column of text. The eighty-sixth section contains a single column of text. The eighty-seventh section contains a single column of text. The eighty-eighth section contains a single column of text. The eighty-ninth section contains a single column of text. The ninetieth section contains a single column of text. The ninety-first section contains a single column of text. The ninety-second section contains a single column of text. The ninety-third section contains a single column of text. The ninety-fourth section contains a single column of text. The ninety-fifth section contains a single column of text. The ninety-sixth section contains a single column of text. The ninety-seventh section contains a single column of text. The ninety-eighth section contains a single column of text. The ninety-ninth section contains a single column of text. The hundredth section contains a single column of text.