



US00D684800S

(12) **United States Design Patent**  
**Johnson et al.**

(10) **Patent No.:** **US D684,800 S**  
(45) **Date of Patent:** **\*\* Jun. 25, 2013**

(54) **HOTEL LOBBY FRONT DESK**

(75) Inventors: **Patrick Brian Johnson**, Atlanta, GA (US); **David Scott Heimbuch**, Decatur, GA (US); **Sangeetha Ramkumar**, Atlanta, GA (US)

(73) Assignee: **Six Continents Hotels, Inc.**, Atlanta, GA (US)

(\*\*) Term: **14 Years**

(21) Appl. No.: **29/413,128**

(22) Filed: **Feb. 10, 2012**

(51) **LOC (9) Cl.** ..... **06-03**

(52) **U.S. Cl.**  
USPC ..... **D6/699**

(58) **Field of Classification Search**  
USPC ..... D6/397, 402, 481, 421, 422, 423,  
D6/426, 486, 432, 427; 312/239, 194-196,  
312/198, 140.1, 140.2  
See application file for complete search history.

(56) **References Cited**

**U.S. PATENT DOCUMENTS**

D108,501 S *	2/1938	Stevens	.....	D6/481
D194,023 S *	11/1962	Rabb, Jr.	.....	D6/397
D238,470 S *	1/1976	Petersen	.....	D6/422
D414,628 S *	10/1999	Gager et al.	.....	D6/445

\* cited by examiner

*Primary Examiner* — Janice Seeger

(74) *Attorney, Agent, or Firm* — Kilpatrick Townsend & Stockton LLP

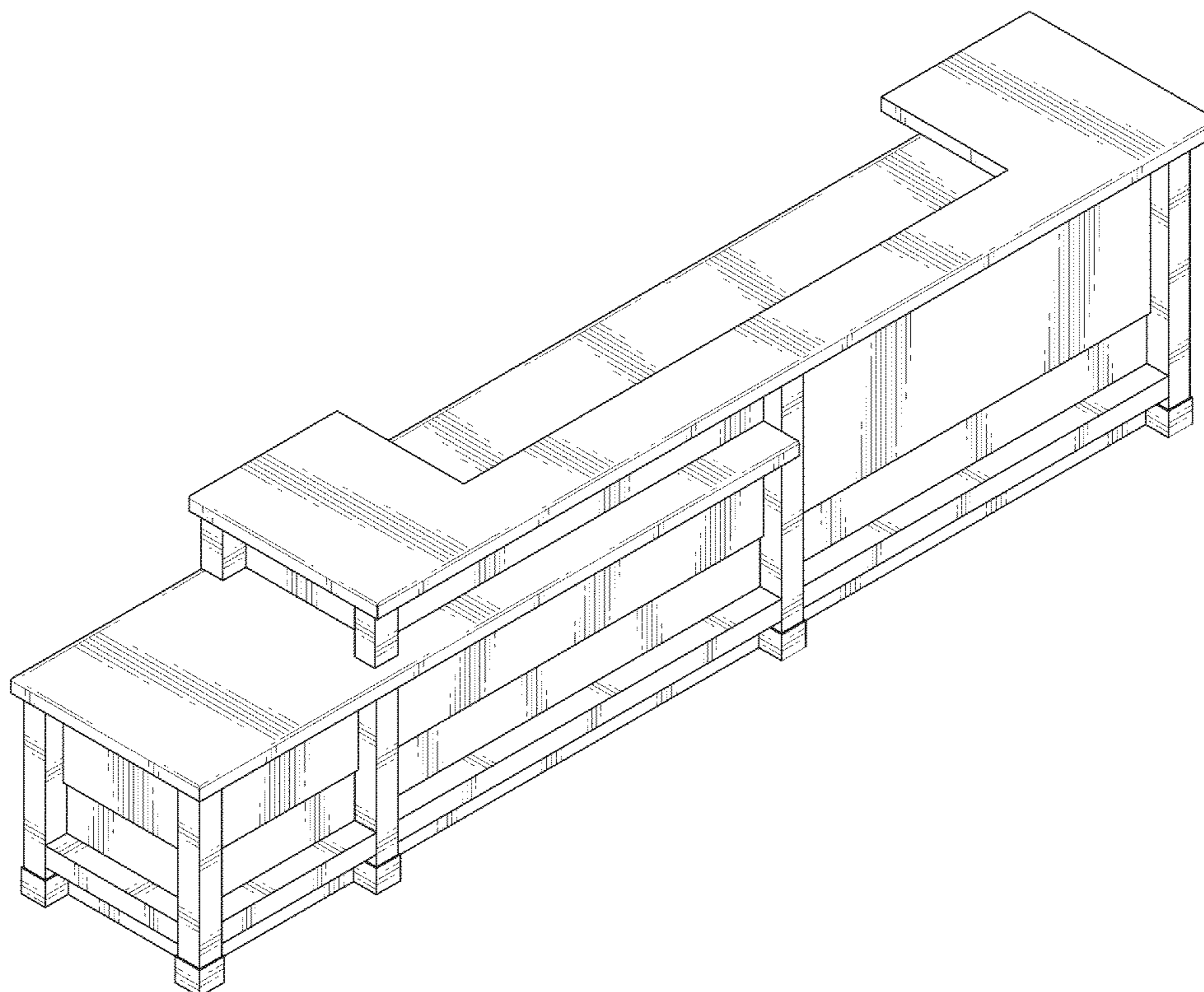
(57) **CLAIM**

The ornamental design for a hotel lobby front desk, as shown and described.

**DESCRIPTION**

FIG. 1 is a perspective view of a first embodiment of a hotel lobby front desk showing our new design; FIG. 2 is a front elevational view thereof; FIG. 3 is a rear elevational view thereof; FIG. 4 is a top plan view thereof; FIG. 5 is a left side elevational view thereof; FIG. 6 is a right side elevational view thereof; FIG. 7 is a perspective view of a second embodiment of a hotel lobby front desk showing our new design; FIG. 8 is a front elevational view thereof; FIG. 9 is a rear elevational view thereof; FIG. 10 is a top plan view thereof; FIG. 11 is a left side elevational view thereof; and, FIG. 12 is a right side elevational view thereof. The broken line showing is for illustrative purposes only and forms no part of the claimed design.

**1 Claim, 6 Drawing Sheets**



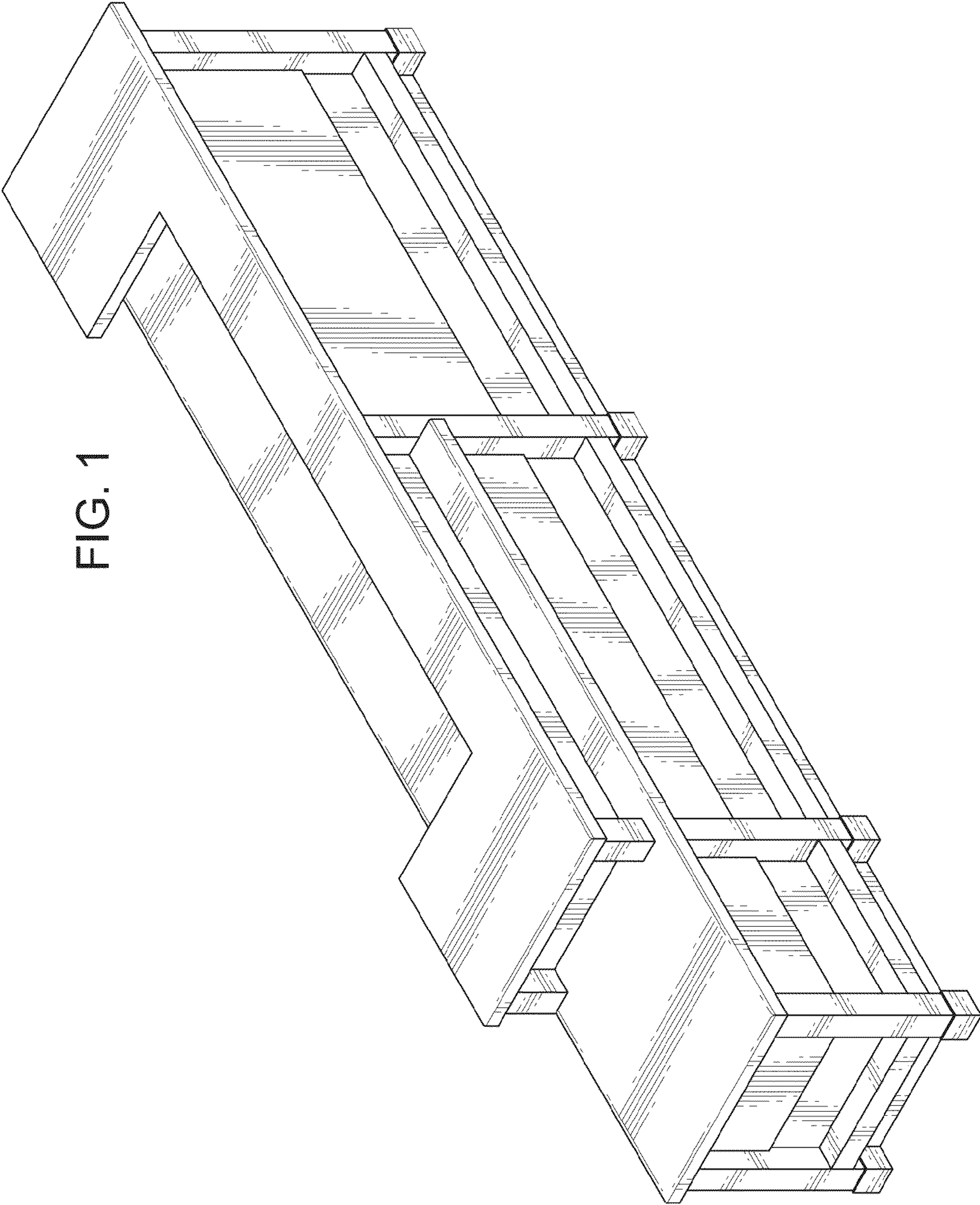


FIG. 1

FIG. 2

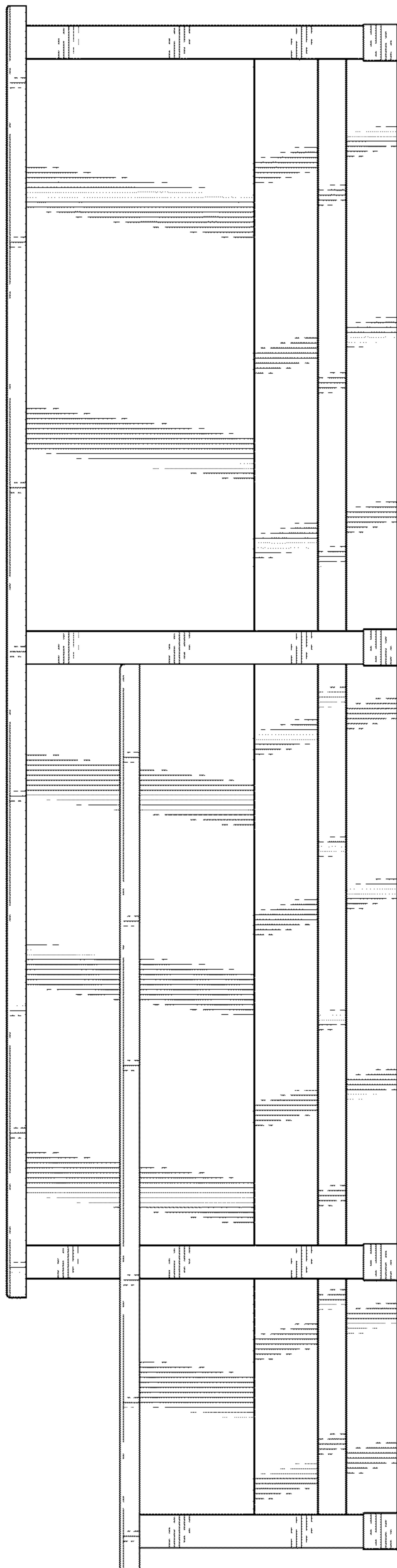


FIG. 3

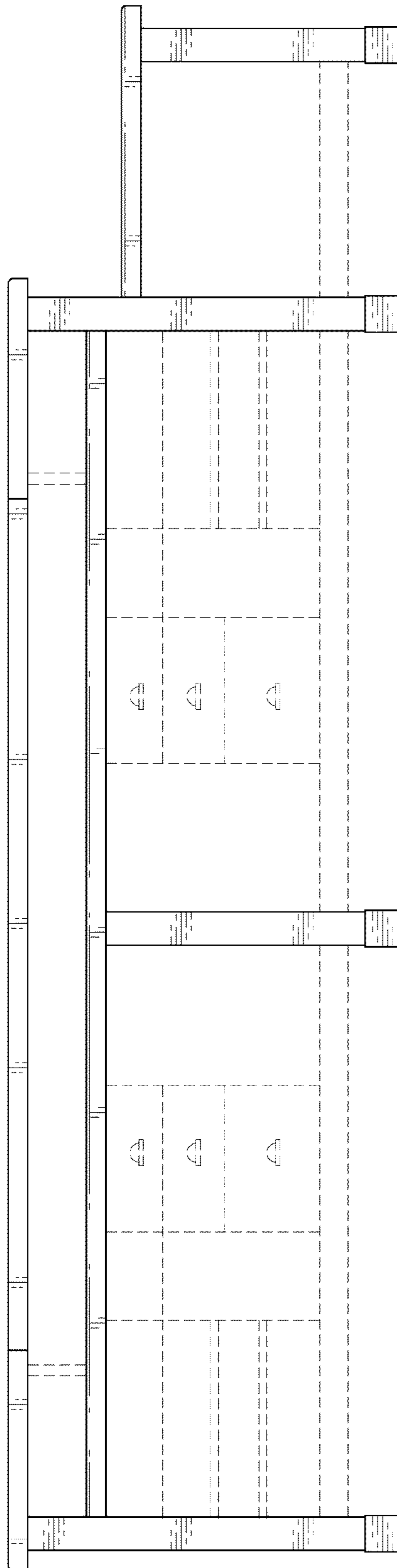




FIG. 4

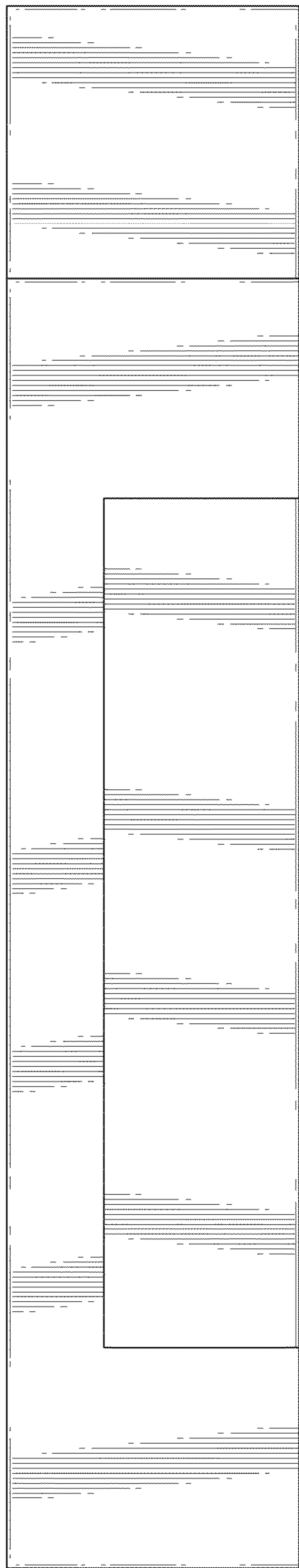


FIG. 5

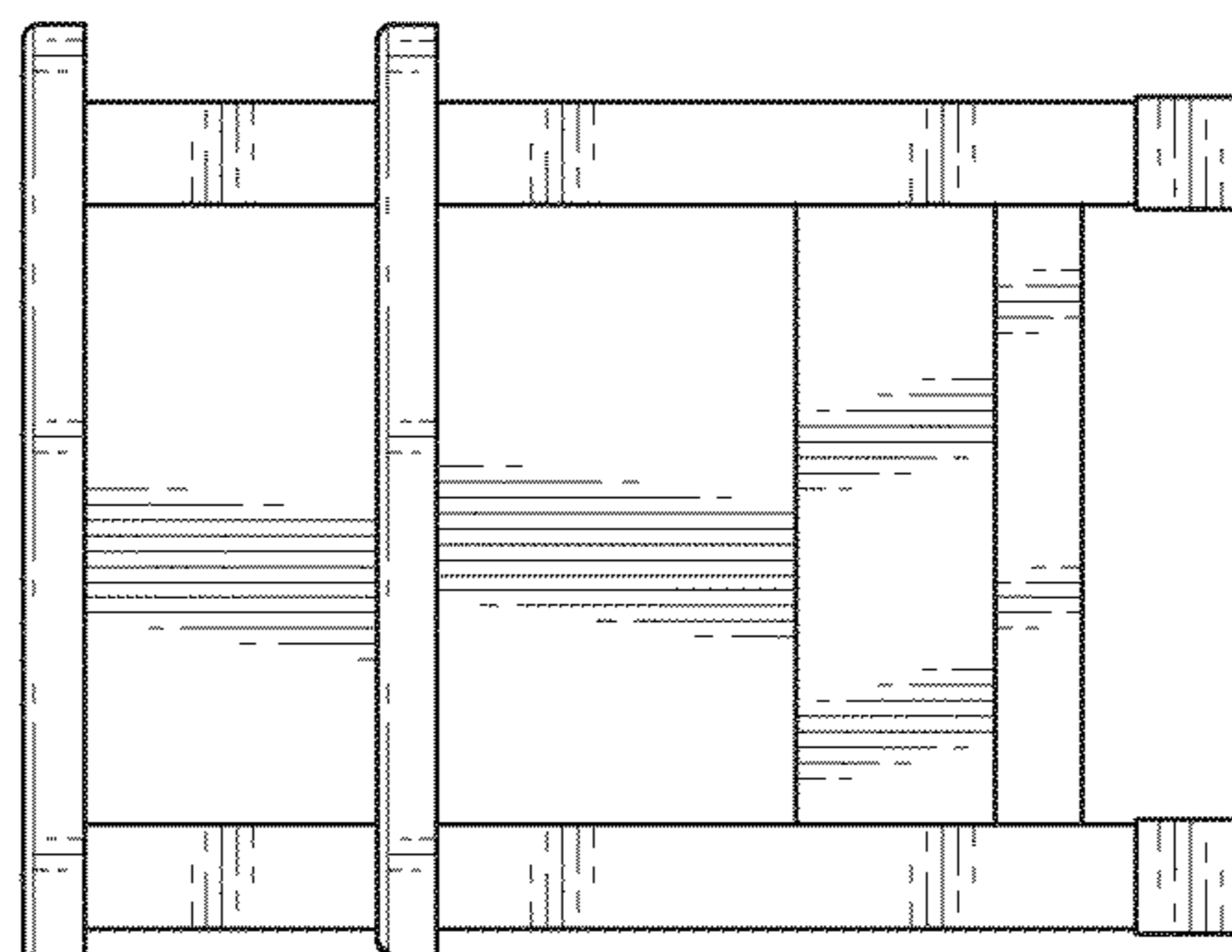
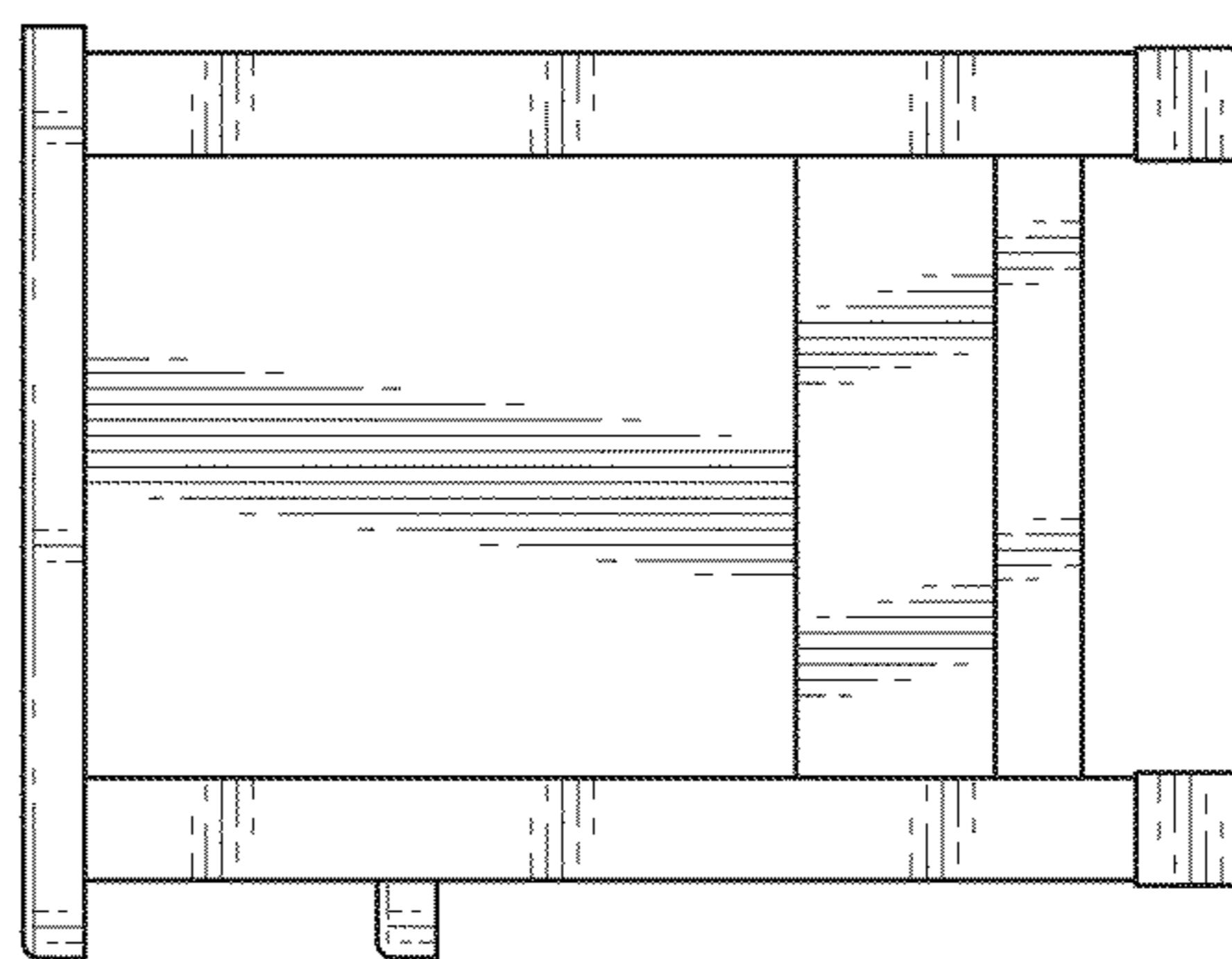


FIG. 6



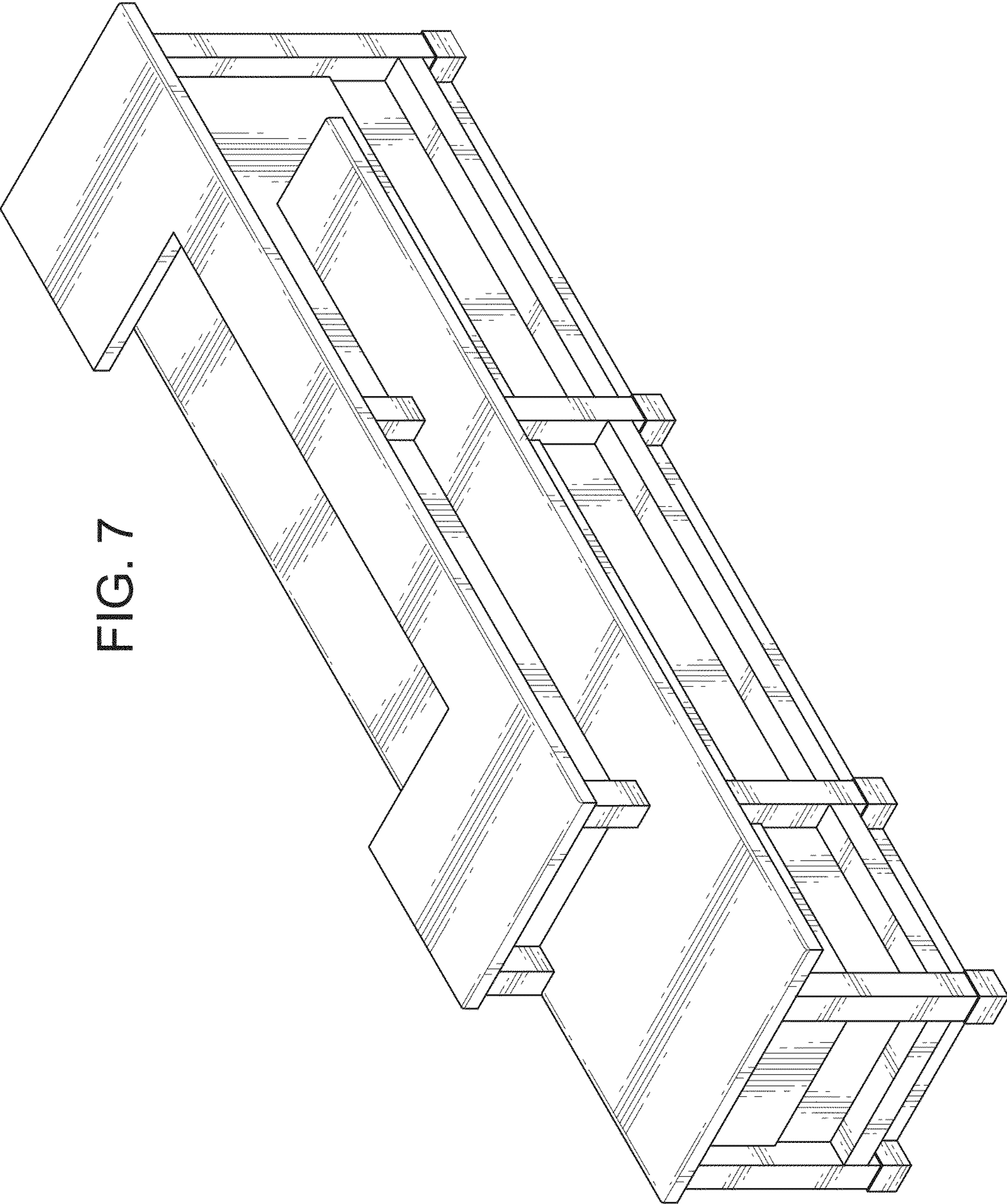


FIG. 7

FIG. 8

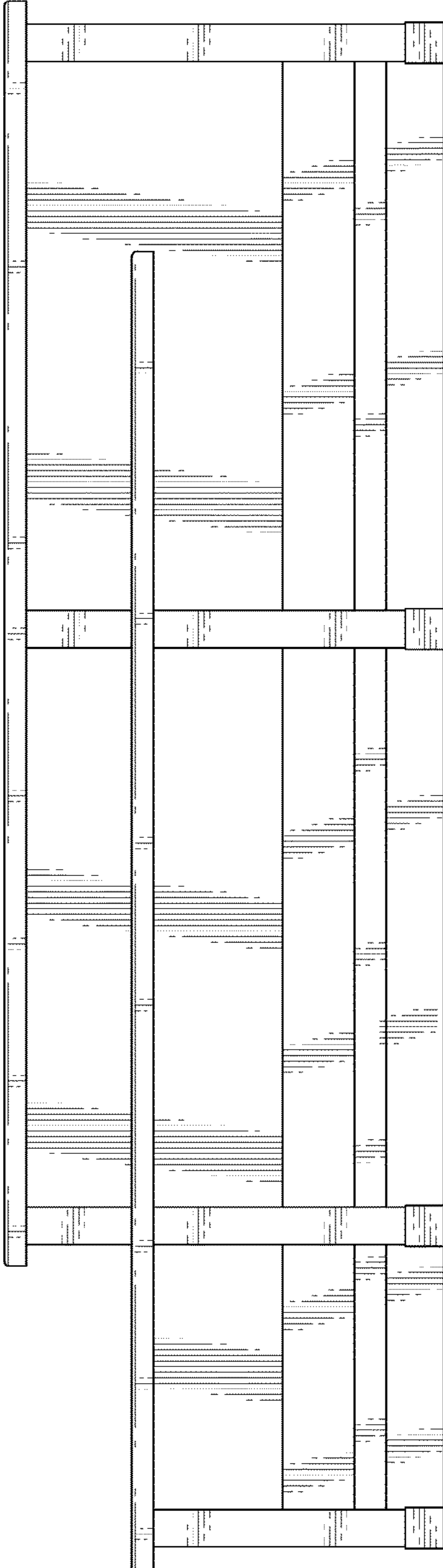


FIG. 9

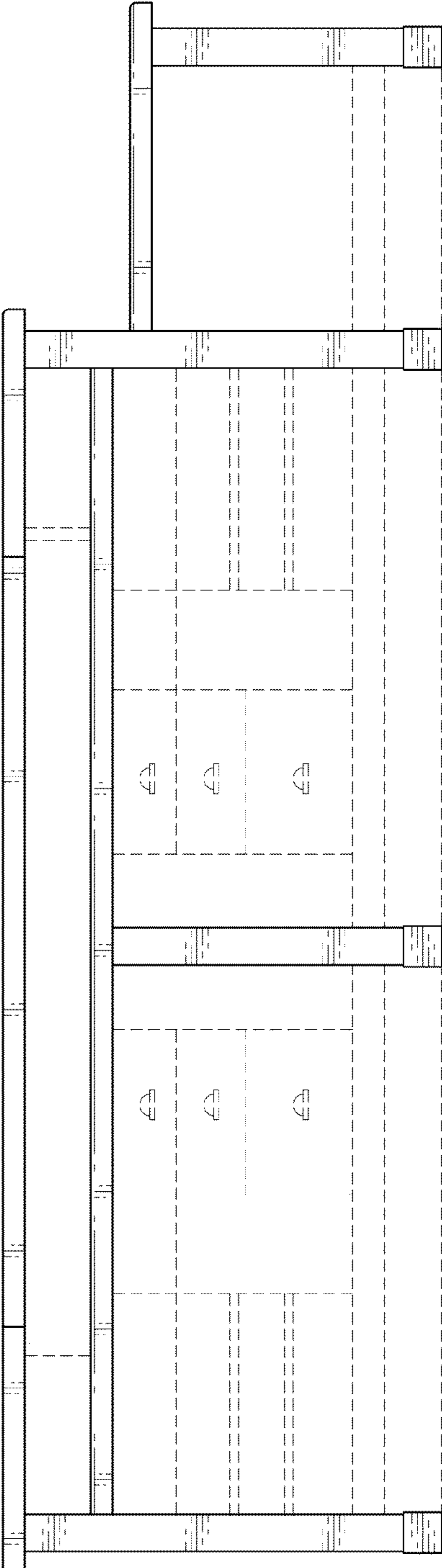


FIG. 10

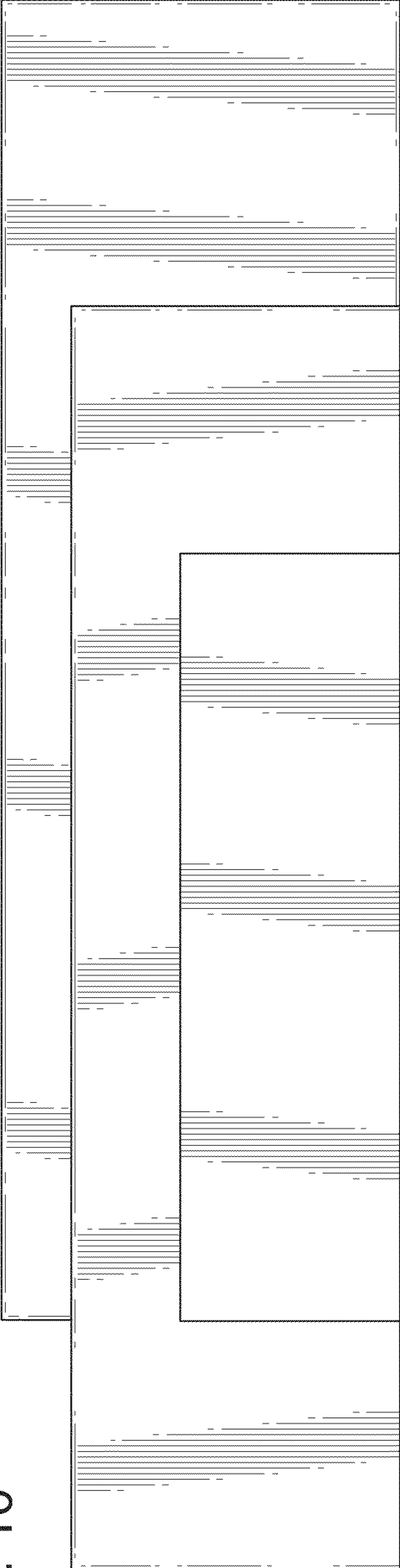


FIG. 11

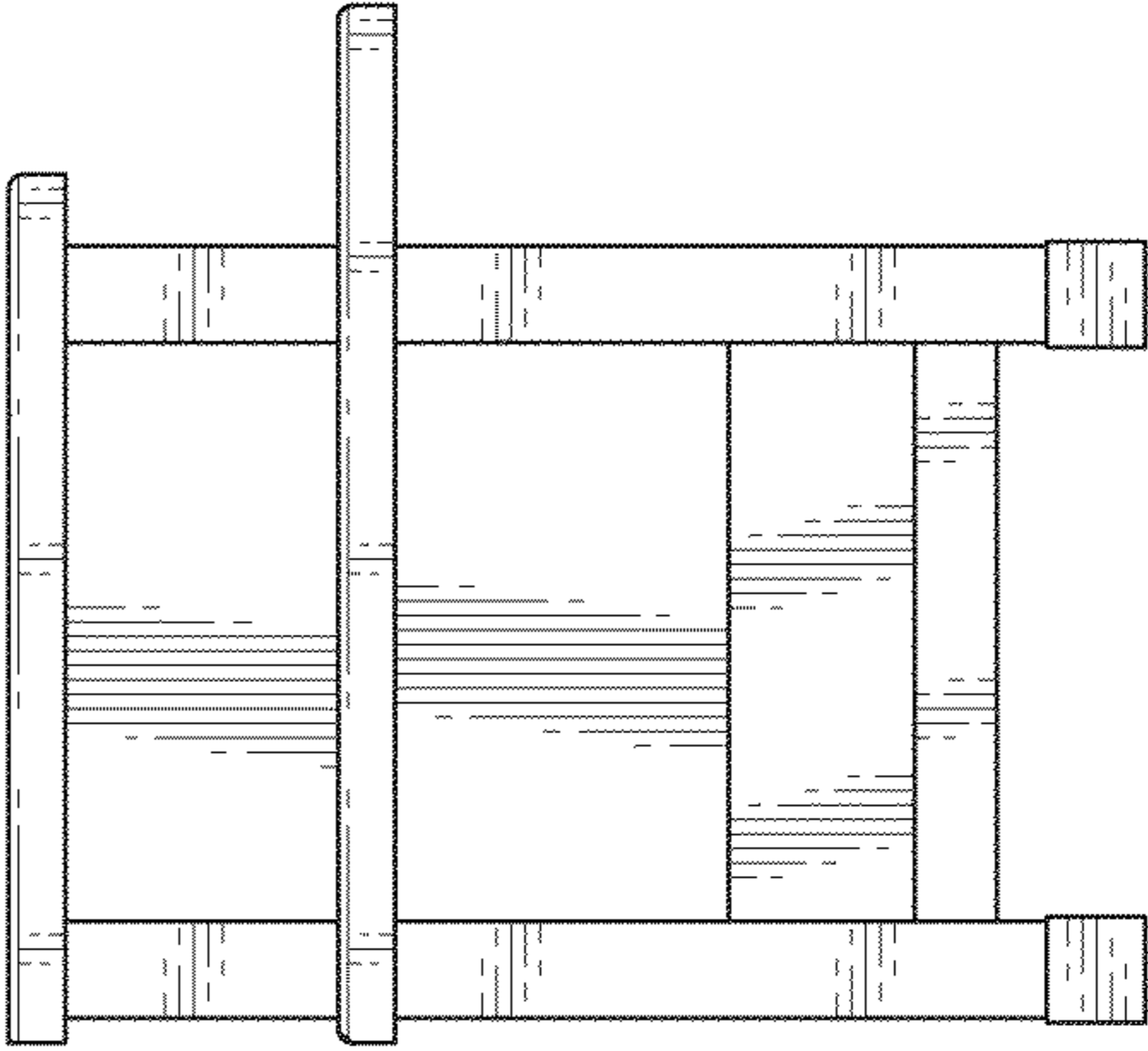


FIG. 12

