



US00D684797S

(12) **United States Design Patent**
Rohwer

(10) **Patent No.:** **US D684,797 S**
(45) **Date of Patent:** **** Jun. 25, 2013**

- (54) **BIFURCATED BED COVERING**
- (76) Inventor: **Audrey Rohwer**, Leander, TX (US)
- (**) Term: **14 Years**
- (21) Appl. No.: **29/426,331**
- (22) Filed: **Jul. 3, 2012**
- (51) **LOC (9) Cl.** **06-09**
- (52) **U.S. Cl.**
USPC **D6/603**
- (58) **Field of Classification Search**
USPC D6/595, 596, 602, 603; 5/482, 484,
5/486, 487, 495, 497, 499-502
See application file for complete search history.

6,862,760 B2 3/2005 Bradley et al.
7,200,883 B2 4/2007 Haggarty
D599,152 S * 9/2009 Yaroshenko D6/603

* cited by examiner

Primary Examiner — Janice Seeger
(74) *Attorney, Agent, or Firm* — Montgomery Patent & Design; Robert C. Montgomery

(57) **CLAIM**
The ornamental design for a bifurcated bed covering, as shown and described.

DESCRIPTION

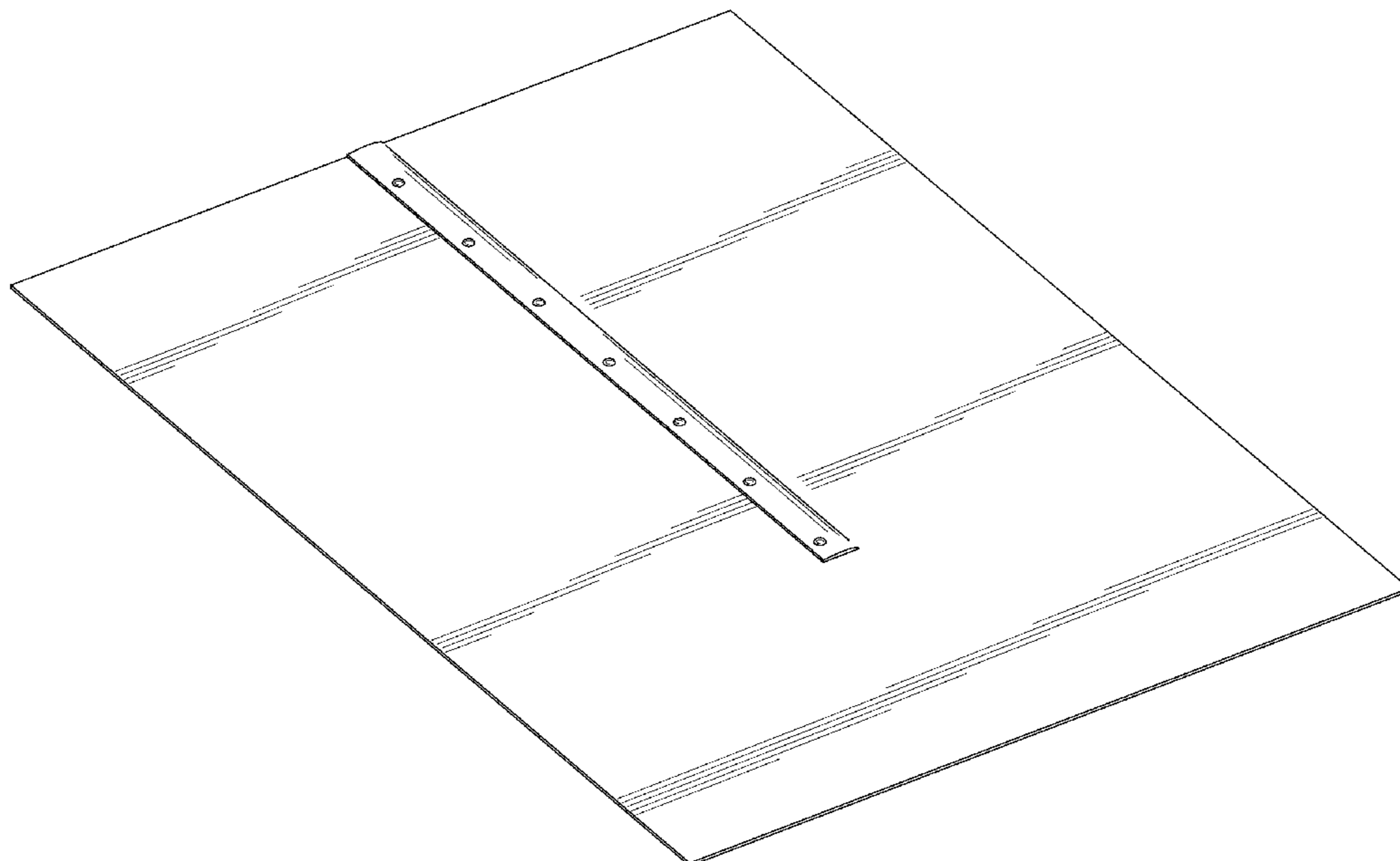
FIG. 1 is a perspective top view of a bifurcated bed covering, showing my new design;
FIG. 2 is a front view thereof;
FIG. 3 is a rear view thereof;
FIG. 4 is a left side view thereof;
FIG. 5 is a right side view thereof;
FIG. 6 is a top view thereof;
FIG. 7 is a bottom view thereof;
FIG. 8 is a perspective top view of the bifurcated bed covering depicted with a seam covering fastener flap in an open position; and,
FIG. 9 is an environmental view of the bifurcated bed covering depicted as applied to a bed.
The broken line showing of a bed is for the purpose of illustrating environmental structure and forms no part of the claimed design.

(56) **References Cited**

U.S. PATENT DOCUMENTS

3,508,285	A	4/1970	Marquette	
3,962,738	A	6/1976	Menditto	
4,005,499	A	2/1977	Klein	
4,069,526	A	1/1978	Deikel	
4,142,264	A *	3/1979	Whiting	5/482
4,261,058	A *	4/1981	Buchman	2/69.5
4,573,227	A	3/1986	Prandina	
5,048,975	A	9/1991	Holbrook	
5,201,086	A *	4/1993	Decker et al.	5/669
5,335,383	A	8/1994	Schwind	
5,621,931	A	4/1997	Hamilton	
5,943,717	A *	8/1999	Alexander	5/486
6,311,347	B1	11/2001	Limardi et al.	
6,643,871	B1	11/2003	Robke	
6,698,043	B2	3/2004	Fabian	

1 Claim, 9 Drawing Sheets



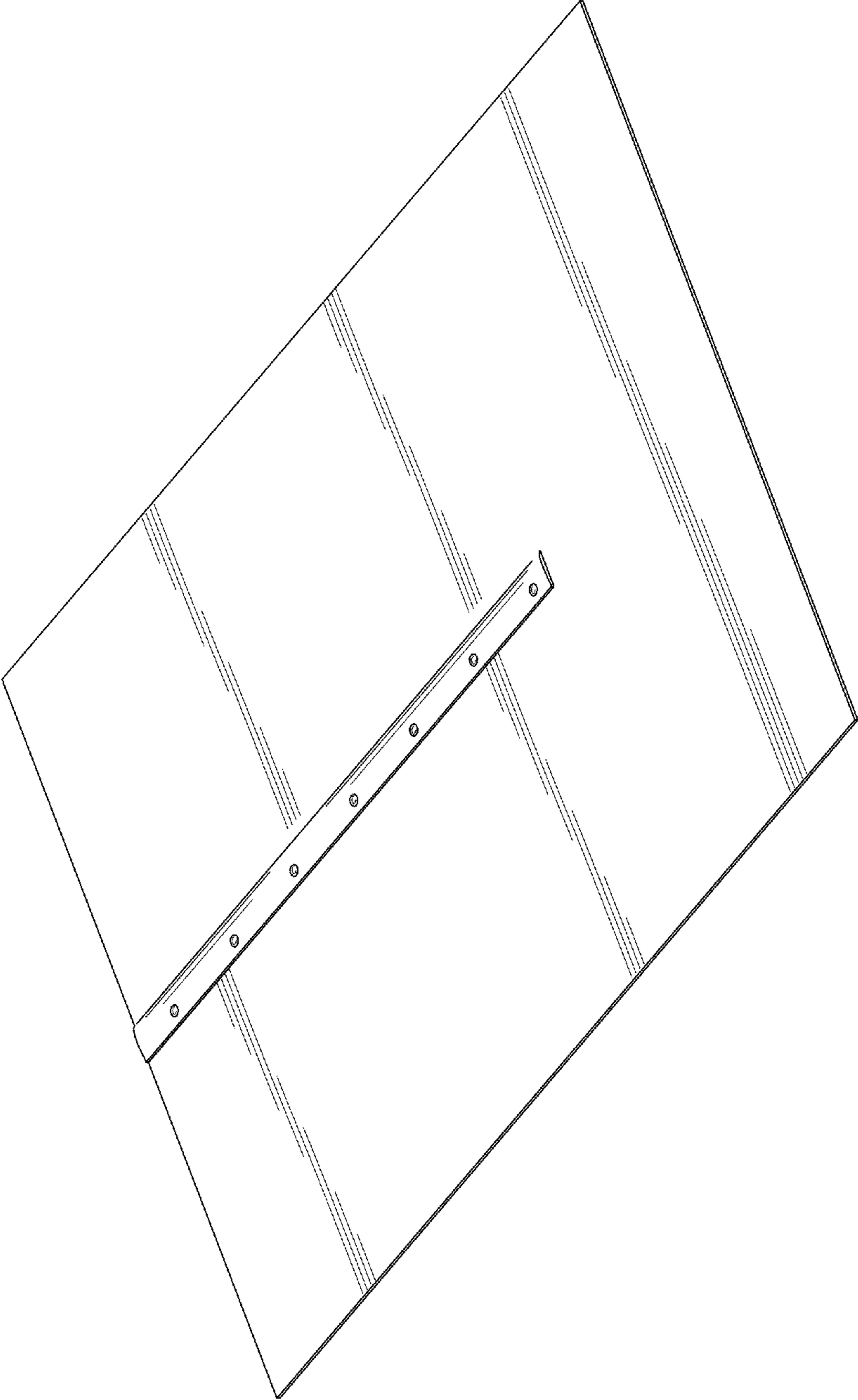


Fig. 1



Fig. 2



Fig. 3



Fig. 4



Fig. 5

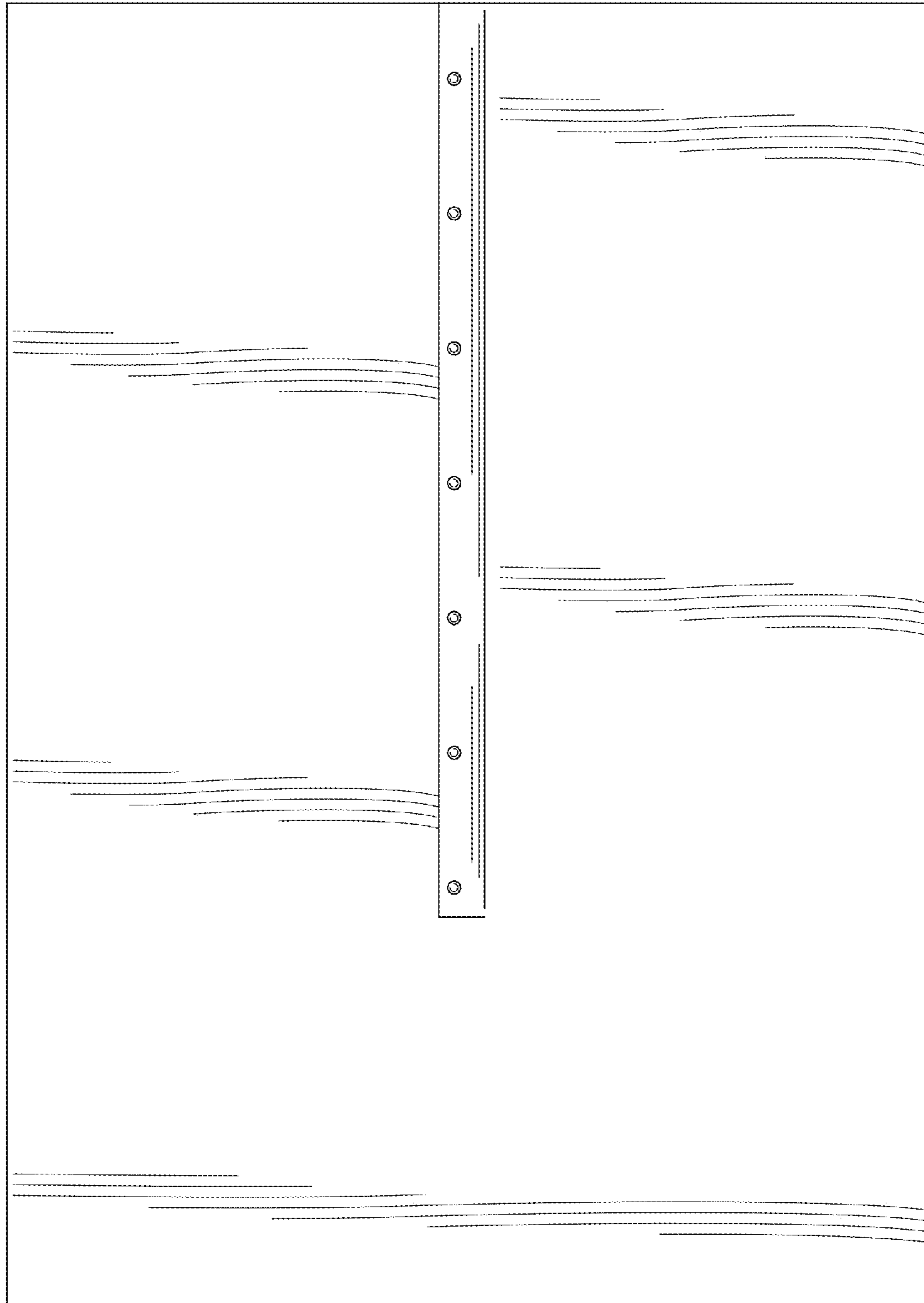


Fig. 6

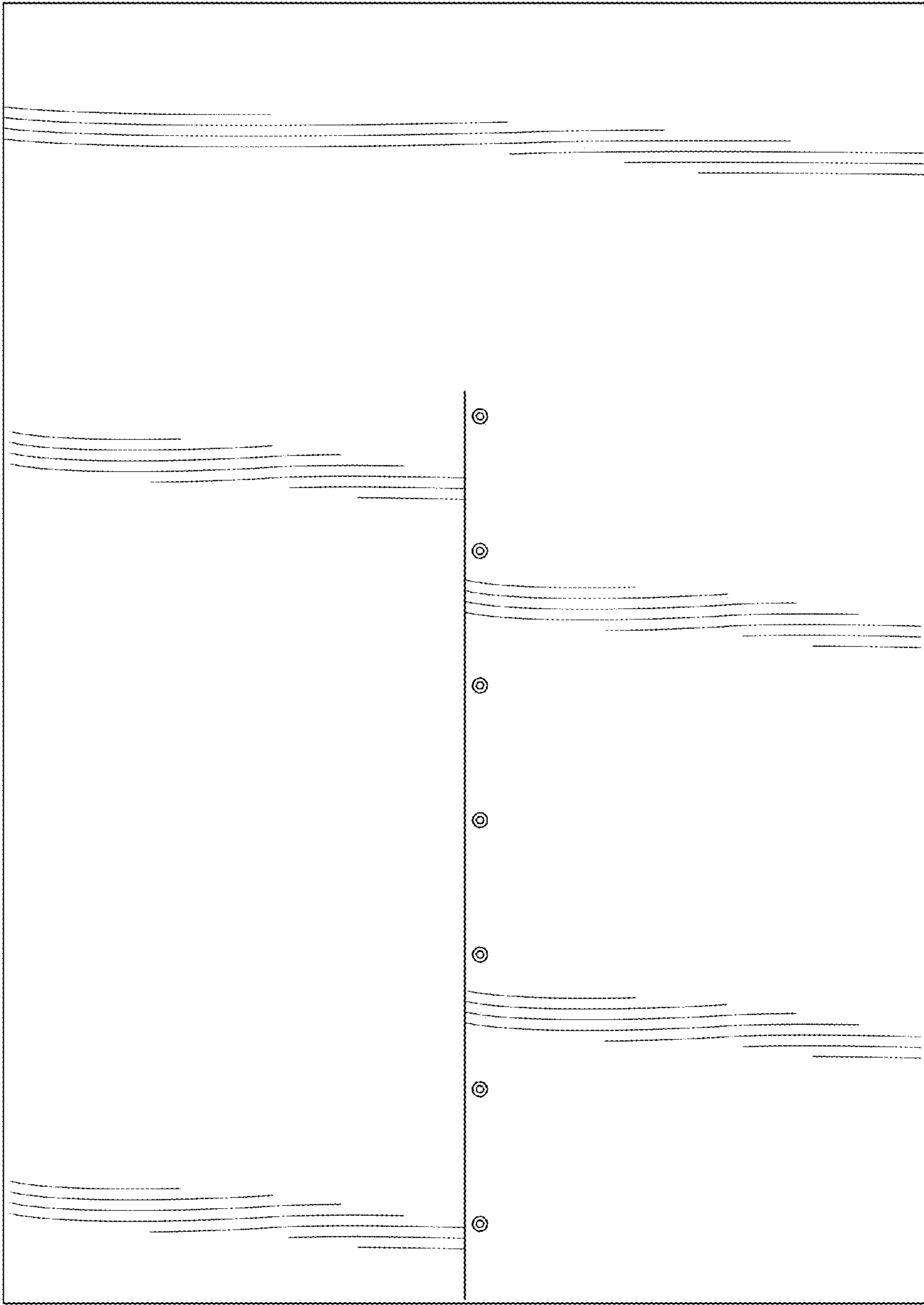


Fig. 7

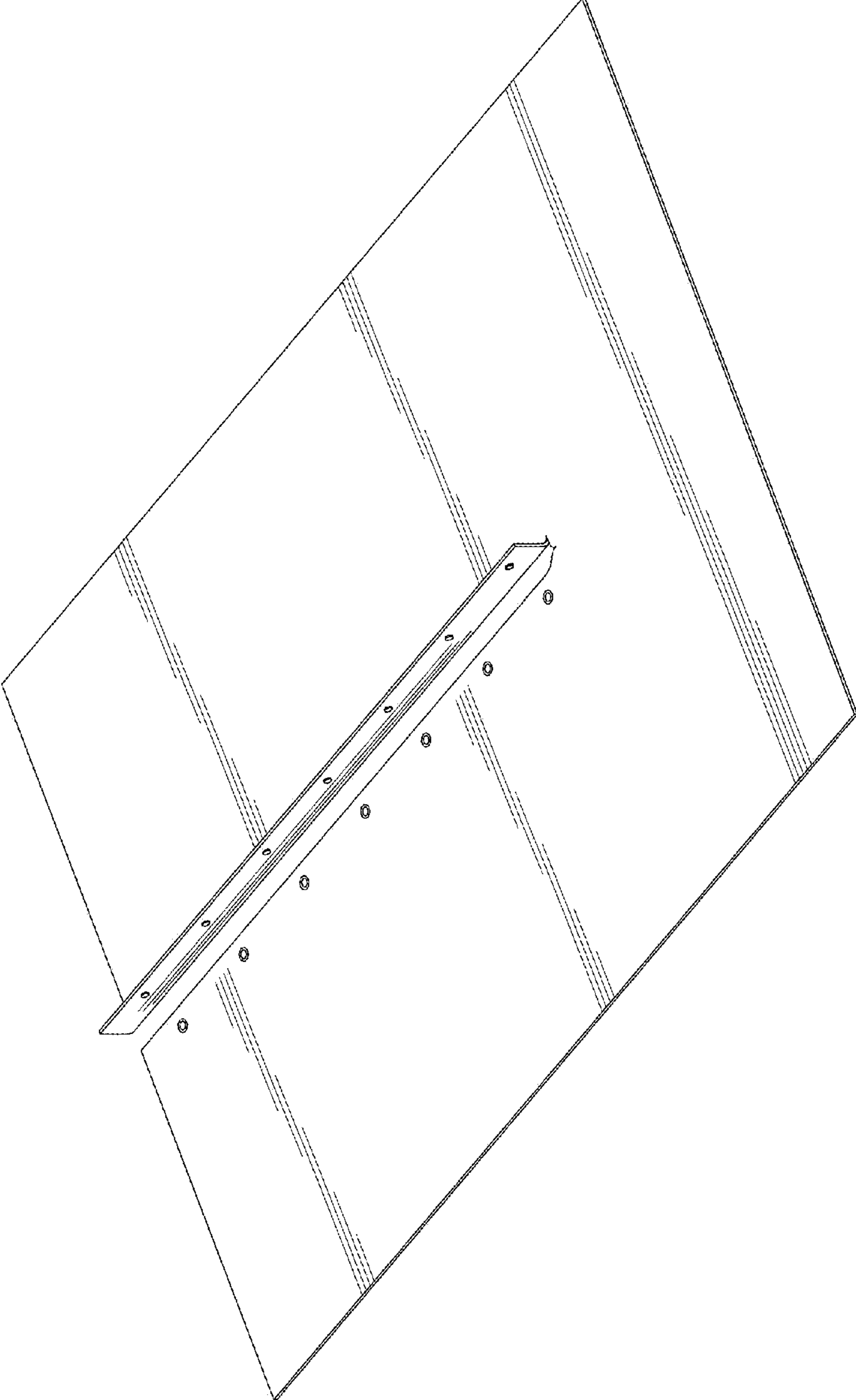


Fig. 8

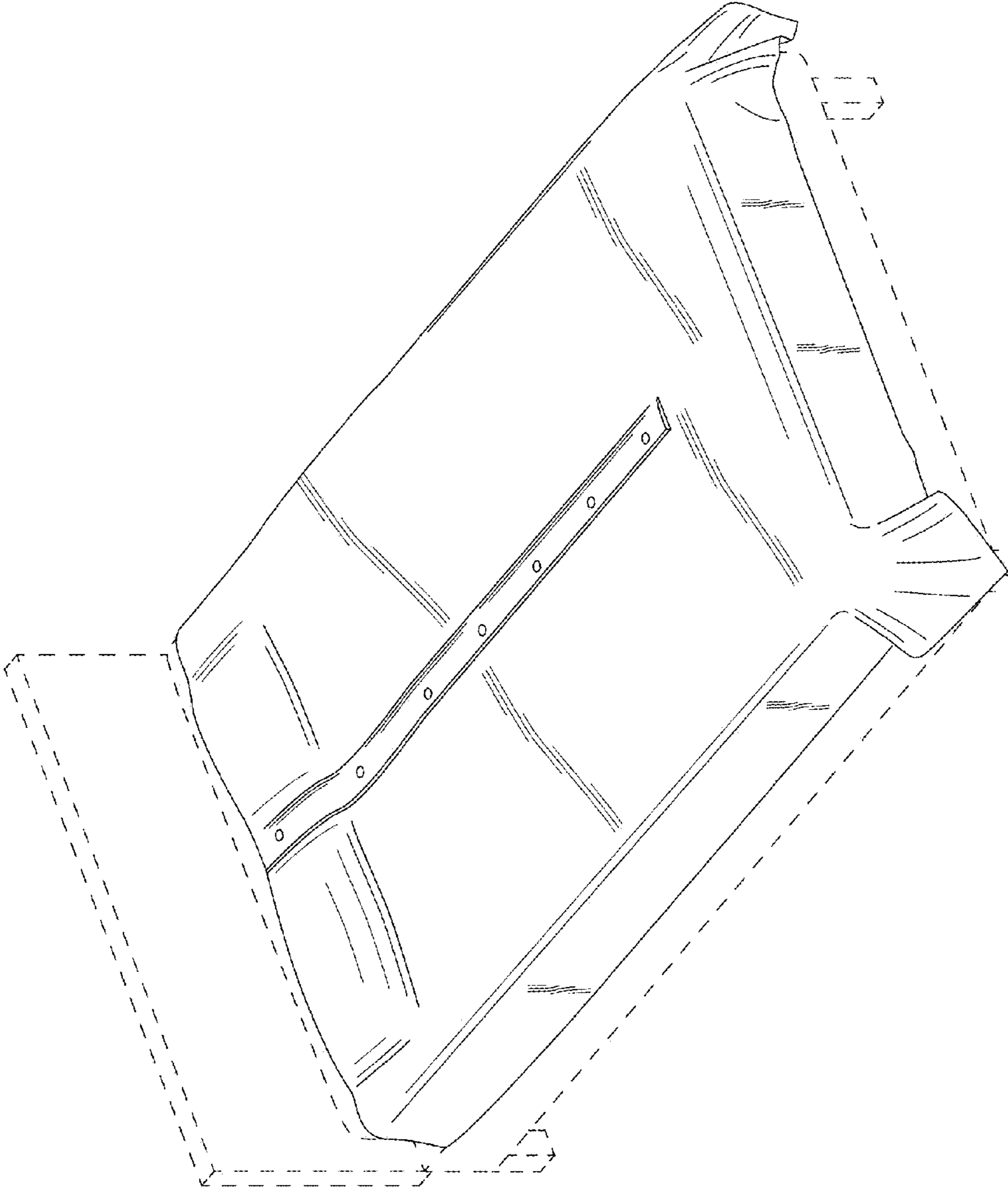


Fig. 9