



US00D684796S

(12) **United States Design Patent**  
**Gasser**

(10) **Patent No.:** **US D684,796 S**  
(45) **Date of Patent:** **\*\* Jun. 25, 2013**

(54) **DRAWER FRONT PANEL**

(75) Inventor: **Ingo Gasser**, Hochst (AT)

(73) Assignee: **Julius Blum GmbH**, Hochst (AT)

(\*\*) Term: **14 Years**

(21) Appl. No.: **29/401,427**

(22) Filed: **Sep. 12, 2011**

(30) **Foreign Application Priority Data**

May 19, 2011 (EM) ..... 001866211-0001

(51) **LOC (9) Cl.** ..... **06-02**

(52) **U.S. Cl.**  
USPC ..... **D6/510**

(58) **Field of Classification Search**

USPC ..... D6/396-397, 421-426, 429-449,  
D6/477-480, 509-511; 312/184, 204, 224,  
312/227, 238, 265.1, 297, 330.1, 334.36,  
312/348.3, 348.4, 348.6; 229/198.1

See application file for complete search history.

(56) **References Cited**

U.S. PATENT DOCUMENTS

3,315,834 A \* 4/1967 Nemlich ..... 220/4.01  
3,612,639 A \* 10/1971 Williams ..... 312/310  
3,722,974 A \* 3/1973 Hartman ..... 312/348.2  
4,403,817 A \* 9/1983 Aidar ..... 312/265.1  
D298,708 S \* 11/1988 Nygren ..... D6/491  
4,961,295 A \* 10/1990 Kosch et al. .... 52/36.5  
5,927,841 A \* 7/1999 Ferrari et al. .... 312/348.1  
5,971,516 A \* 10/1999 Huber ..... 312/348.1  
D425,734 S \* 5/2000 Bauer ..... D6/491  
6,119,878 A \* 9/2000 Zen ..... 211/94.01  
6,580,030 B1 \* 6/2003 Horne ..... 174/50  
D496,814 S \* 10/2004 Hong ..... D6/510  
6,860,574 B2 \* 3/2005 Hwang et al. .... 312/334.44  
D520,148 S \* 5/2006 Kendall et al. .... D25/138

D563,125 S \* 3/2008 Held et al. .... D6/510  
D572,510 S \* 7/2008 Bohler ..... D6/510  
D572,511 S \* 7/2008 Bohler ..... D6/510  
D572,512 S \* 7/2008 Kampl ..... D6/510  
D577,936 S \* 10/2008 Held ..... D6/510  
D584,081 S \* 1/2009 Vestweber ..... D6/500  
D587,939 S \* 3/2009 Schloss ..... D6/491  
D593,214 S \* 5/2009 Bohler ..... D25/58  
7,597,413 B2 \* 10/2009 Fitz ..... 312/334.15  
D605,882 S \* 12/2009 Bohler ..... D6/510  
D617,583 S \* 6/2010 Daino ..... D6/491  
7,780,253 B1 \* 8/2010 Lu ..... 312/334.4  
D625,941 S \* 10/2010 Holzer ..... D6/510  
D638,237 S \* 5/2011 Holzer ..... D6/510  
8,028,965 B2 \* 10/2011 Chen et al. .... 248/298.1  
8,104,626 B2 \* 1/2012 Huang et al. .... 211/26  
8,147,009 B1 \* 4/2012 Rider ..... 312/257.1  
2004/0159067 A1 \* 8/2004 Perkins et al. .... 52/588.1  
2006/0091094 A1 \* 5/2006 Schuberth ..... 211/94.01  
2007/0181517 A1 \* 8/2007 Perkins et al. .... 211/94.01  
2008/0061665 A1 \* 3/2008 Lautenschlager ..... 312/333

\* cited by examiner

*Primary Examiner* — Kelley Donnelly

(74) *Attorney, Agent, or Firm* — Wenderoth, Lind & Ponack, L.L.P.

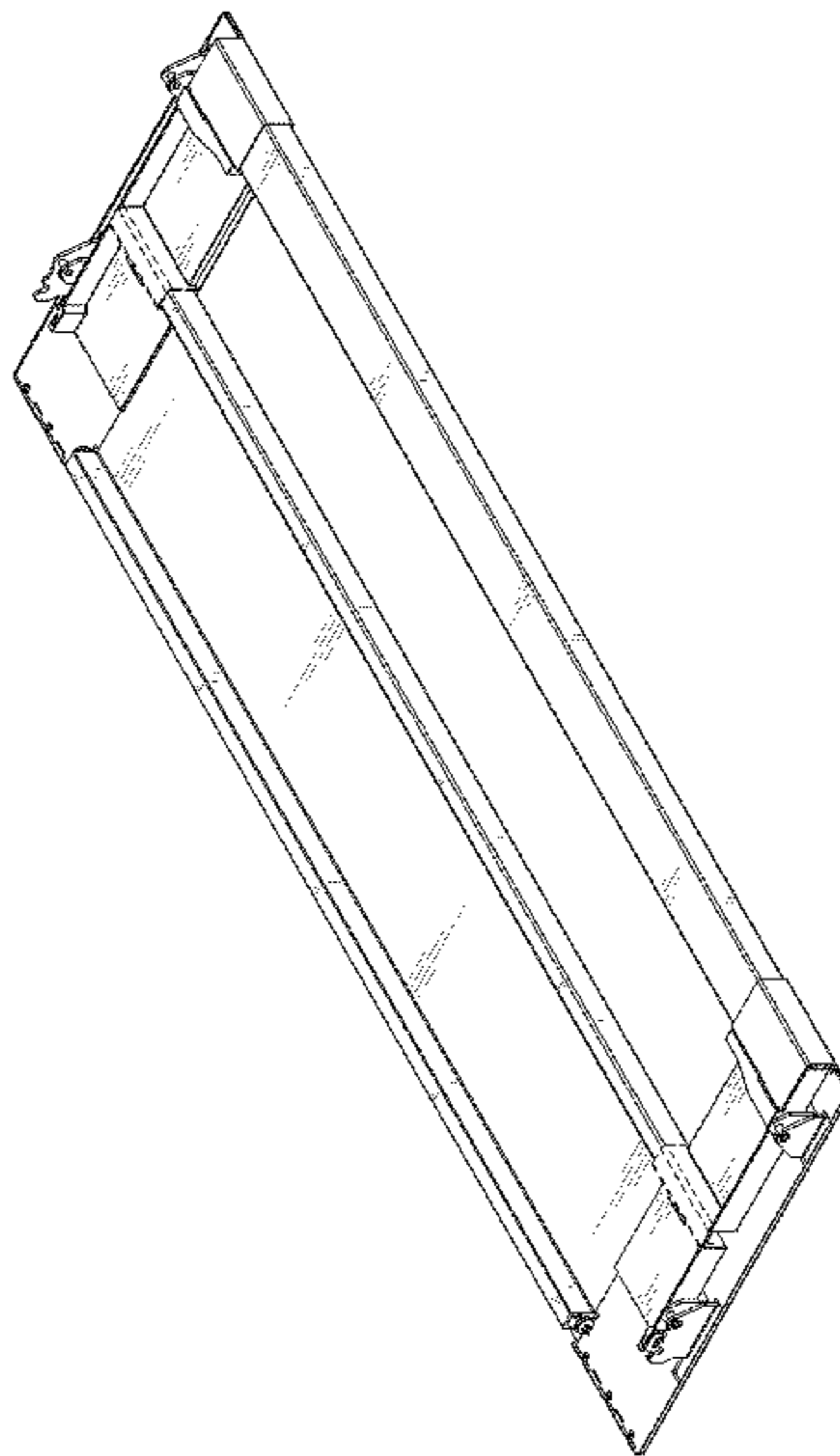
(57) **CLAIM**

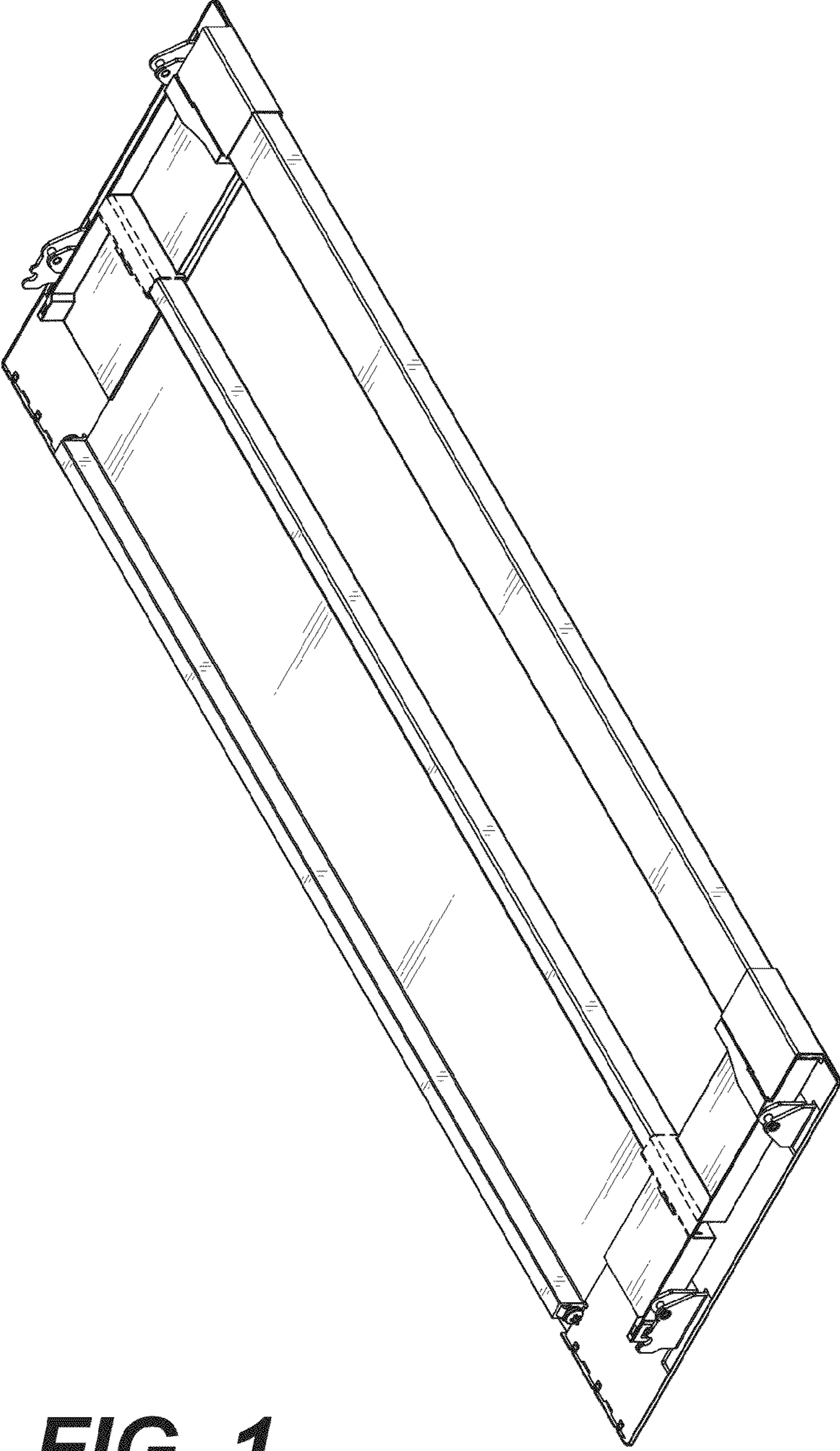
The ornamental design for a drawer front panel, as shown and described.

**DESCRIPTION**

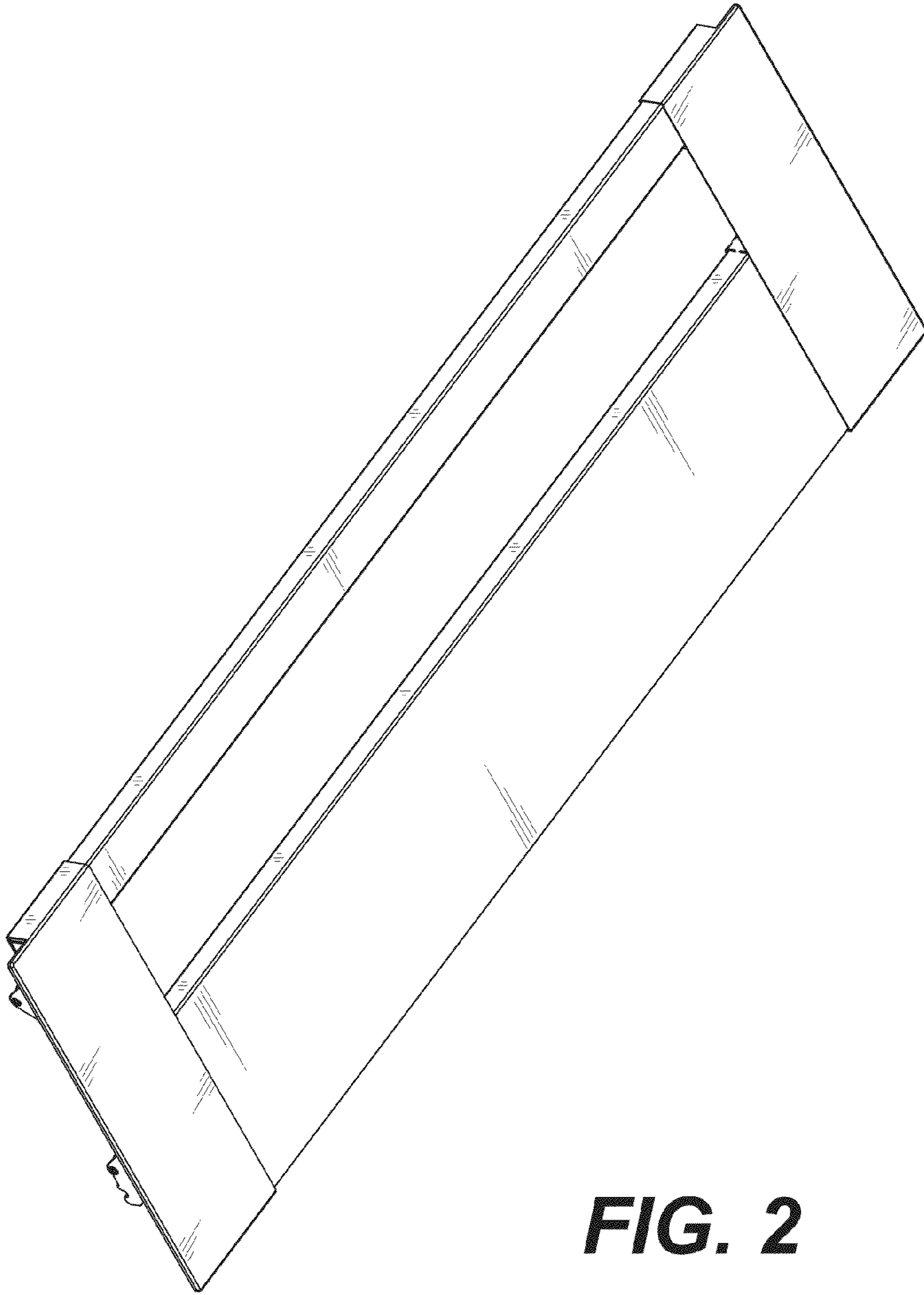
FIG. 1 is a rear perspective view of a drawer front panel;  
FIG. 2 is a front perspective view thereof;  
FIG. 3 is a front view thereof;  
FIG. 4 is a rear view thereof;  
FIG. 5 is a right side view thereof;  
FIG. 6 is a left side view thereof;  
FIG. 7 is a top view thereof; and,  
FIG. 8 is a bottom view thereof.

**1 Claim, 8 Drawing Sheets**

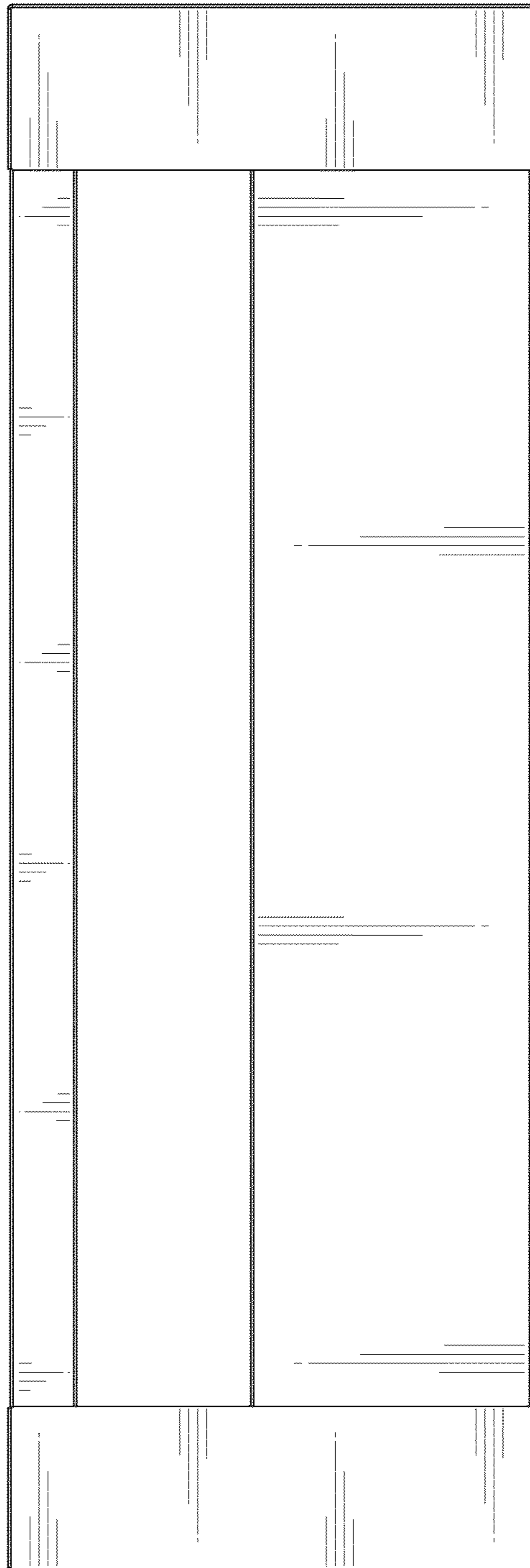




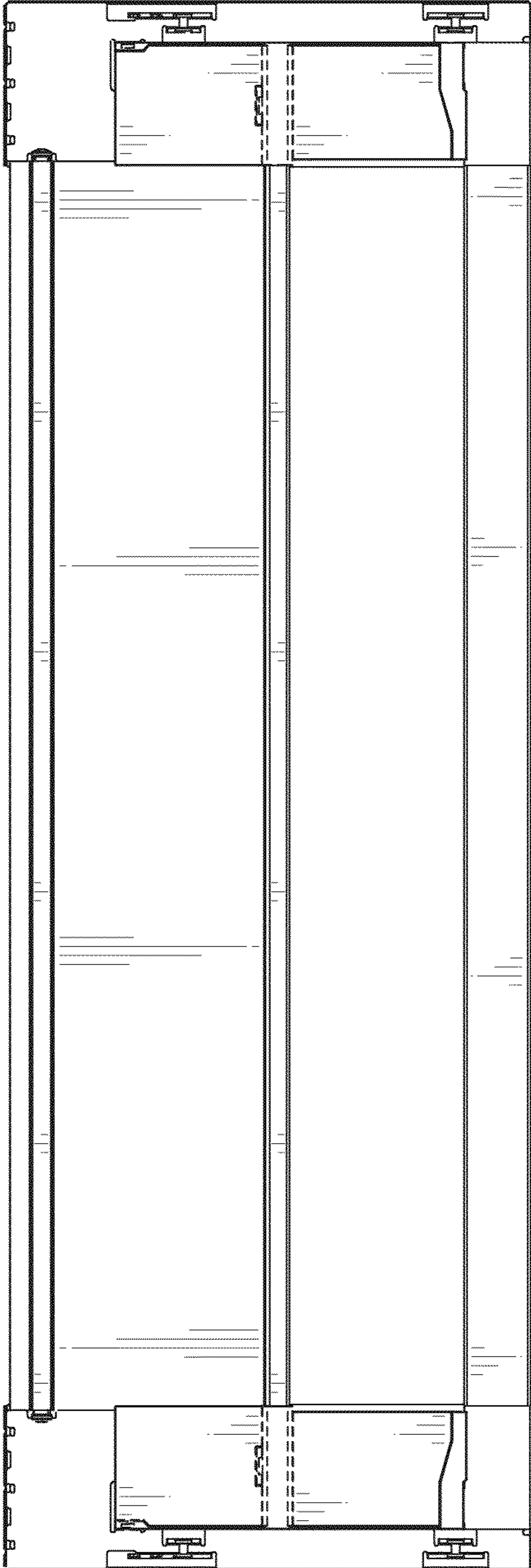
**FIG. 1**



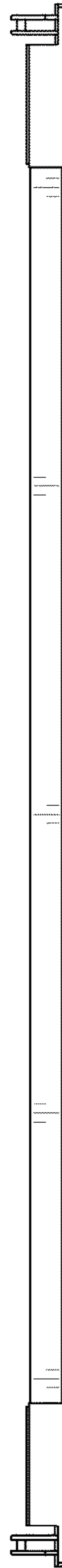
**FIG. 2**



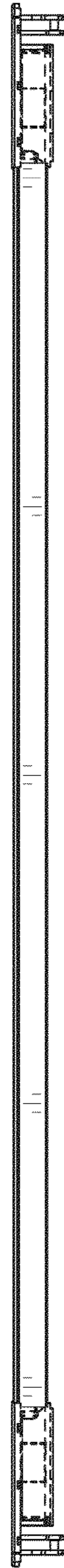
**FIG. 3**



**FIG. 4**



**FIG. 5**



**FIG. 6**



**FIG. 7**





**FIG. 8**