



US00D684794S

(12) **United States Design Patent**
Fisher

(10) **Patent No.:** **US D684,794 S**

(45) **Date of Patent:** **** Jun. 25, 2013**

(54) **DISPLAY RACK**

(75) Inventor: **Geoff Fisher**, Encinitas, CA (US)

(73) Assignee: **Surf Ventures Unlimited, LLC**,
Encinitas, CA (US)

(**) Term: **14 Years**

(21) Appl. No.: **29/428,153**

(22) Filed: **Jul. 26, 2012**

(51) **LOC (9) Cl.** **06-06**

(52) **U.S. Cl.**
USPC **D6/462**

(58) **Field of Classification Search**
USPC D6/396, 410-411, 458, 462-465,
D6/466, 475-476, 629; 211/41.4, 42, 49.1,
211/90.03, 106, 181.1; 312/9.1, 9.47, 9.48,
312/9.52, 9.53, 9.55

See application file for complete search history.

(56) **References Cited**

U.S. PATENT DOCUMENTS

D312,929 S *	12/1990	Nelson	D6/465
D318,196 S *	7/1991	Sheng	D6/462
D416,364 S *	11/1999	Newhall	D32/55
D473,073 S *	4/2003	Kettering et al.	D6/509
D481,263 S *	10/2003	Morgan	D7/601
6,672,464 B2 *	1/2004	Robertson	211/59.2
D498,631 S *	11/2004	Anderson et al.	D6/566
D567,540 S *	4/2008	Klein et al.	D6/462
D588,415 S *	3/2009	Ward et al.	D7/601
D613,966 S *	4/2010	Staw et al.	D6/476
D651,067 S *	12/2011	Johnson, III	D8/354
D658,015 S *	4/2012	Borovicka et al.	D7/641

* cited by examiner

Primary Examiner — Kelley Donnelly

(74) *Attorney, Agent, or Firm* — K&L Gates LLP; Louis C. Cullman; Brian J. Novak

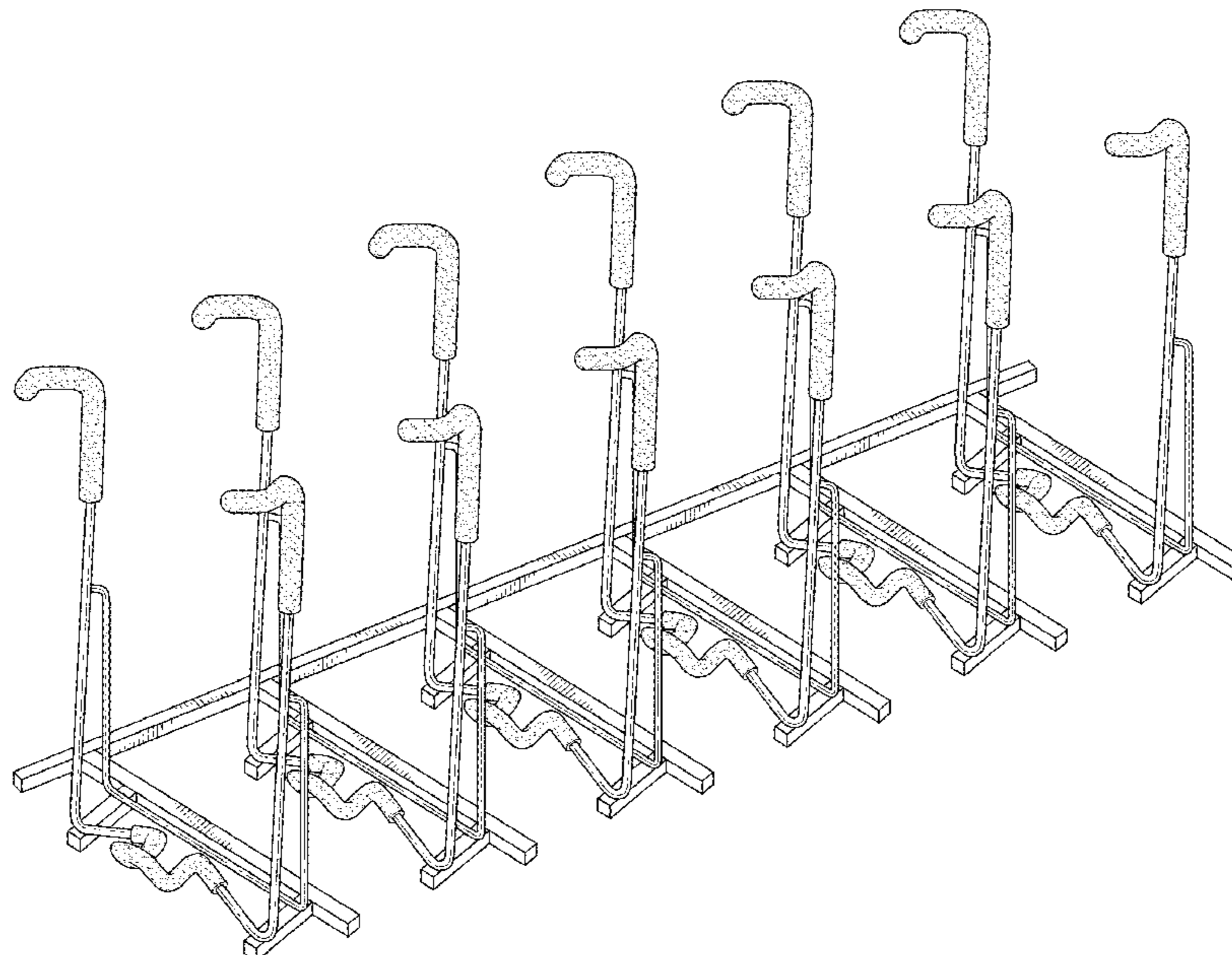
(57) **CLAIM**

The ornamental design for a display rack, as shown and described.

DESCRIPTION

FIG. 1 is a perspective view of a first embodiment of a display rack;
 FIG. 2 is a front view thereof;
 FIG. 3 is a back view thereof;
 FIG. 4 is a first side view thereof;
 FIG. 5 is a second side view thereof;
 FIG. 6 is a top view thereof;
 FIG. 7 is a bottom view thereof;
 FIG. 8 is a perspective view of a second embodiment of a display rack;
 FIG. 9 is a front view thereof;
 FIG. 10 is a back view thereof;
 FIG. 11 is a first side view thereof;
 FIG. 12 is a second side view thereof;
 FIG. 13 is a top view thereof;
 FIG. 14 is a bottom view thereof;
 FIG. 15 is a perspective view of a third embodiment of a display rack;
 FIG. 16 is a front view thereof;
 FIG. 17 is a back view thereof;
 FIG. 18 is a first side view thereof;
 FIG. 19 is a second side view thereof;
 FIG. 20 is a top view thereof; and,
 FIG. 21 is a bottom view thereof.

1 Claim, 18 Drawing Sheets



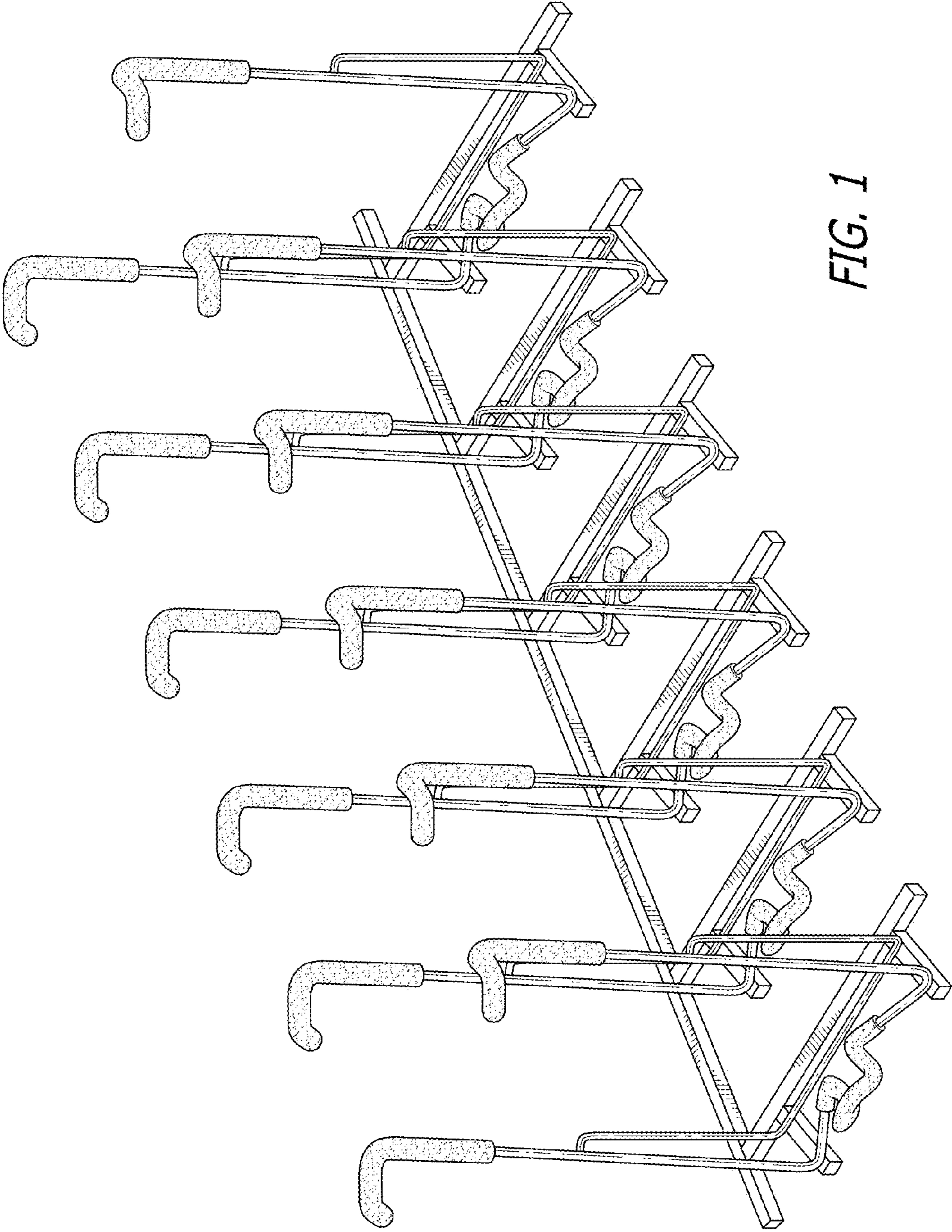


FIG. 1

FIG. 2

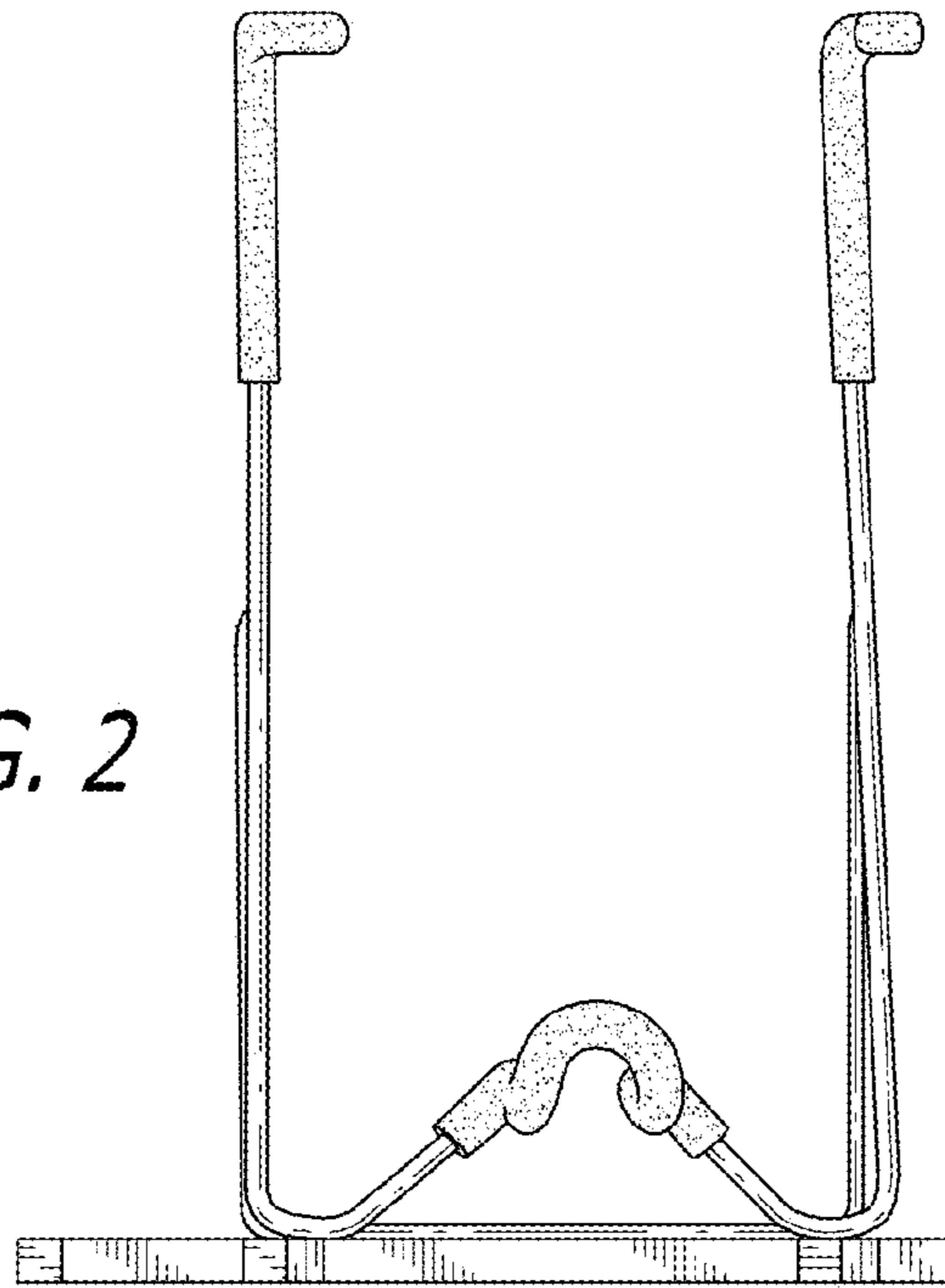
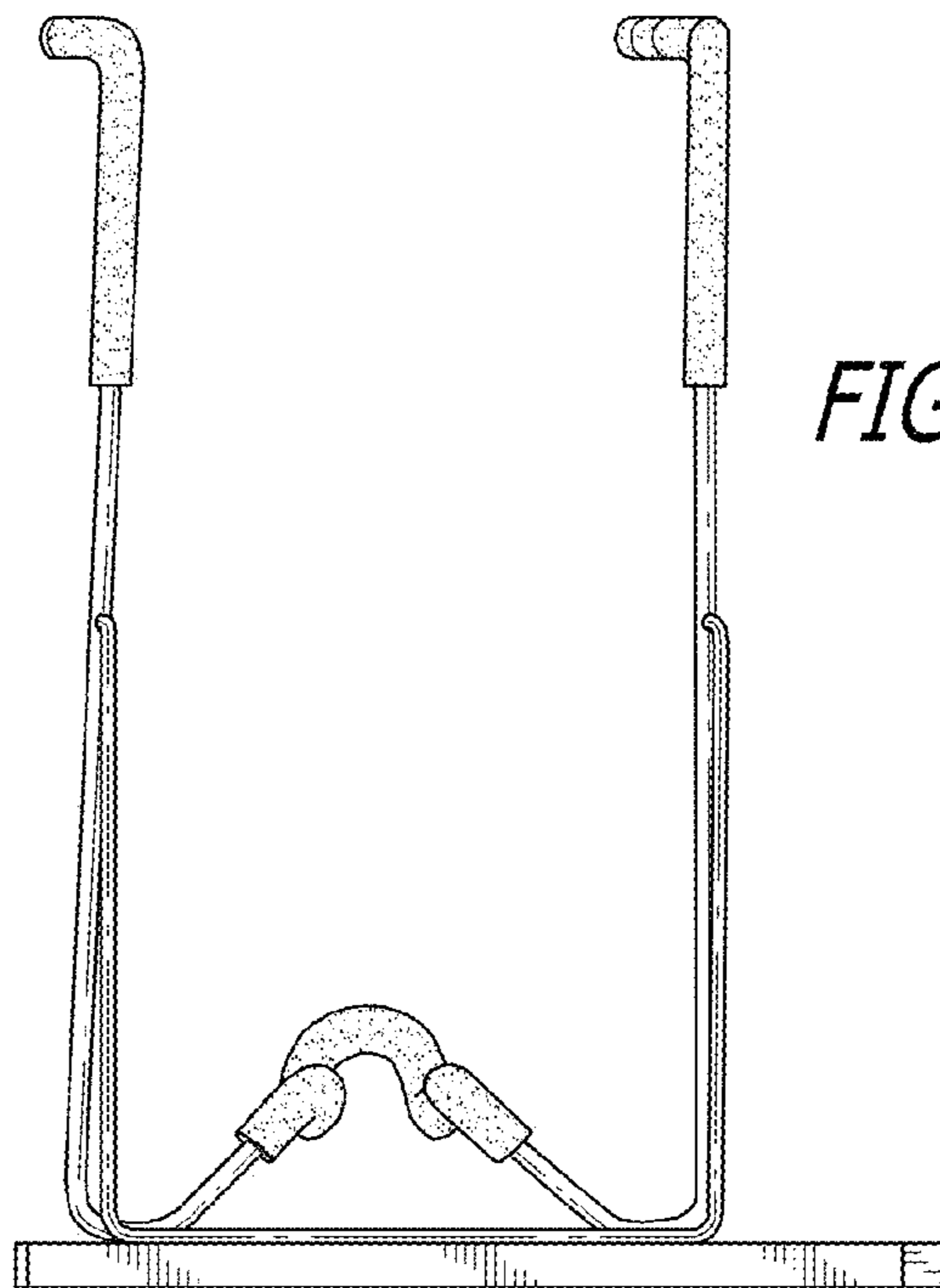


FIG. 3



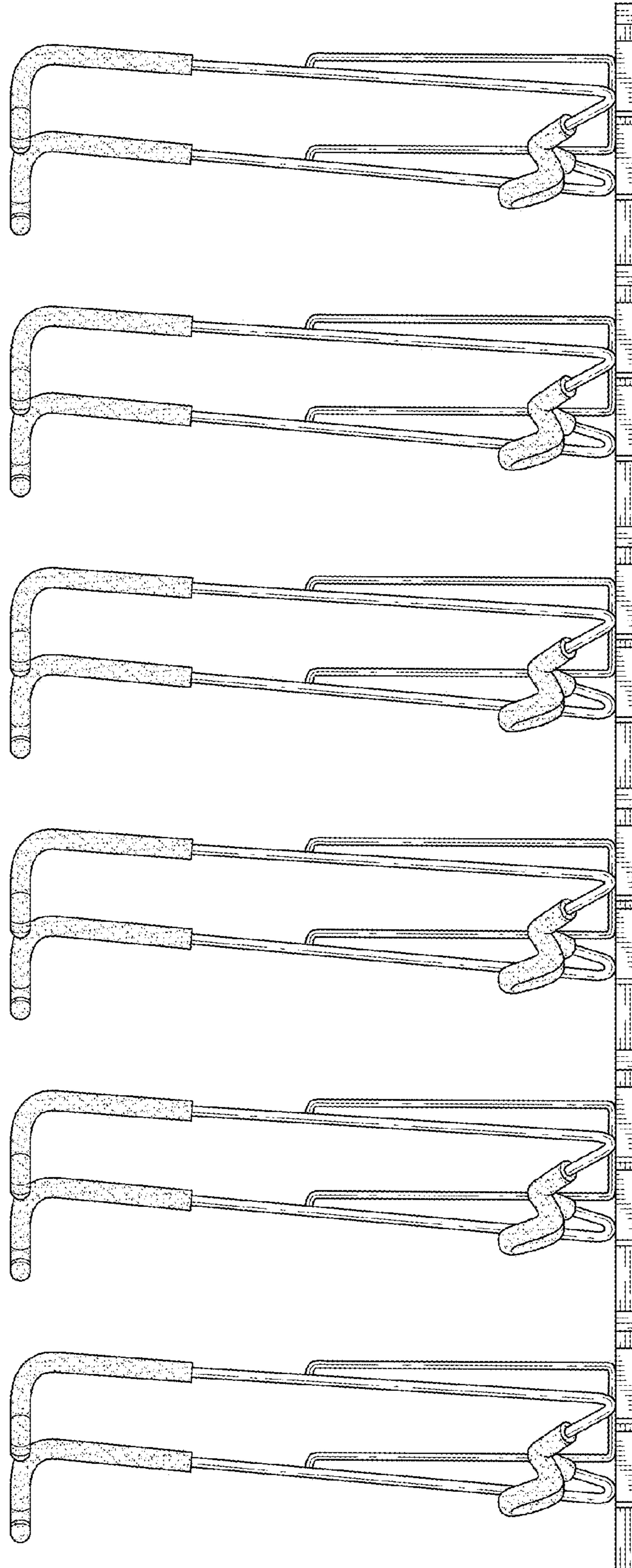


FIG. 4

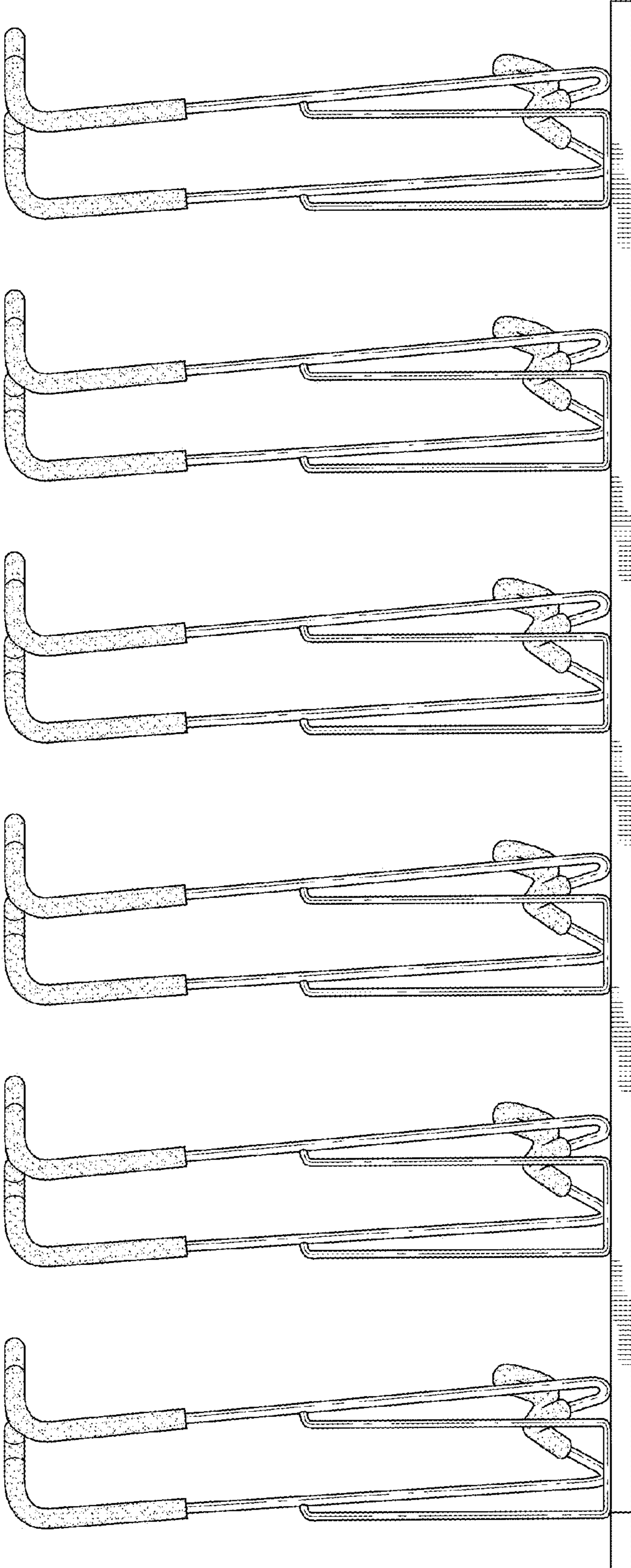


FIG. 5

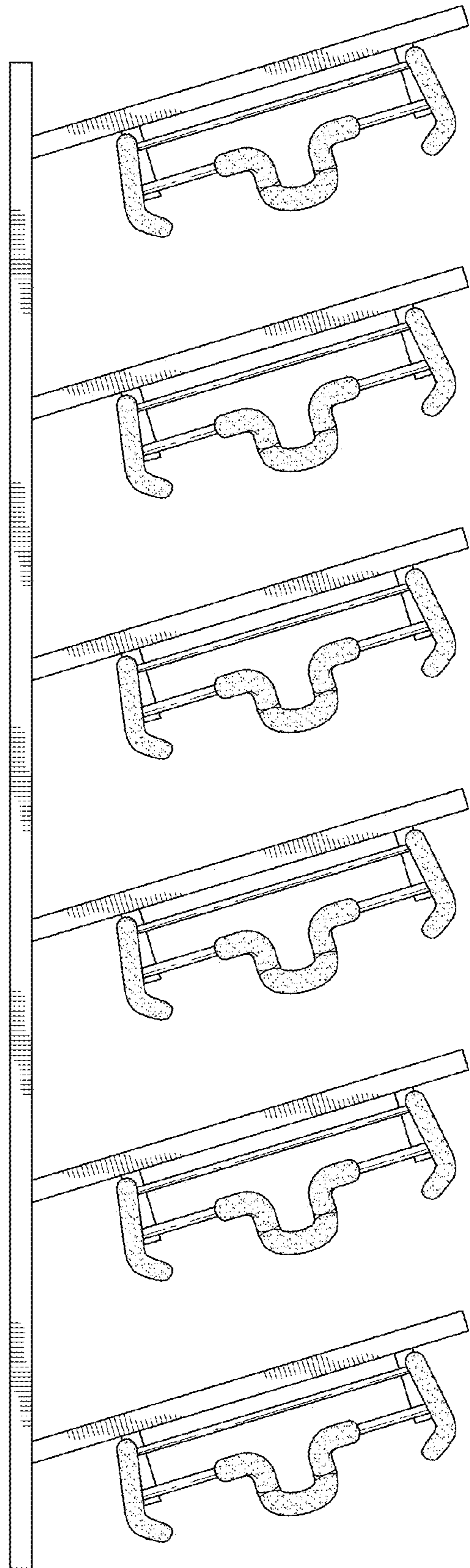


FIG. 6

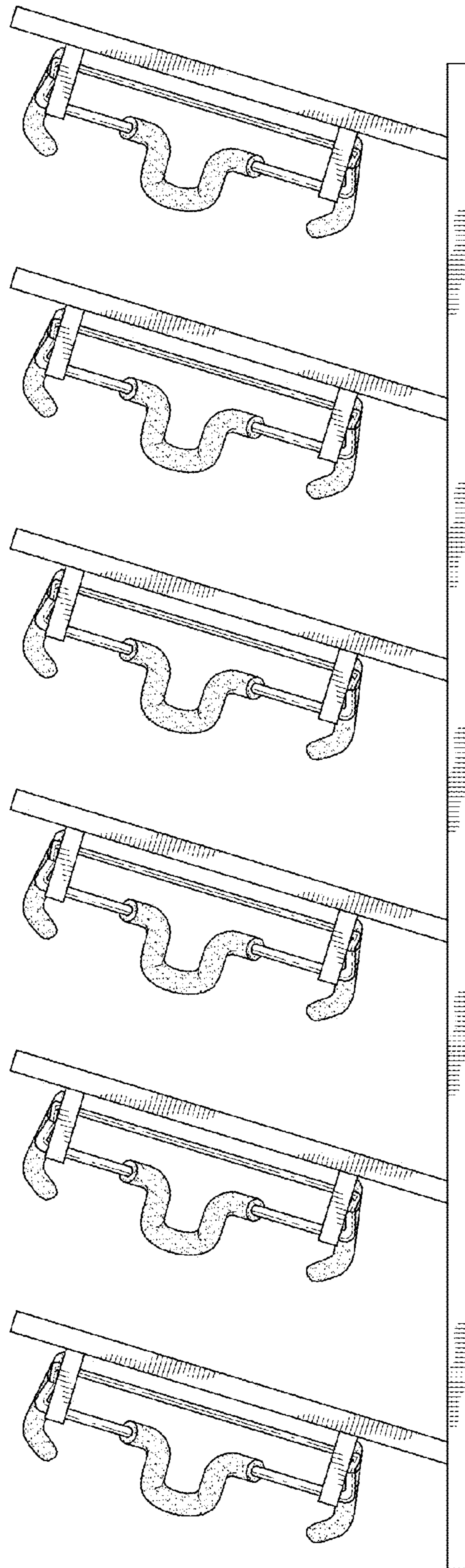
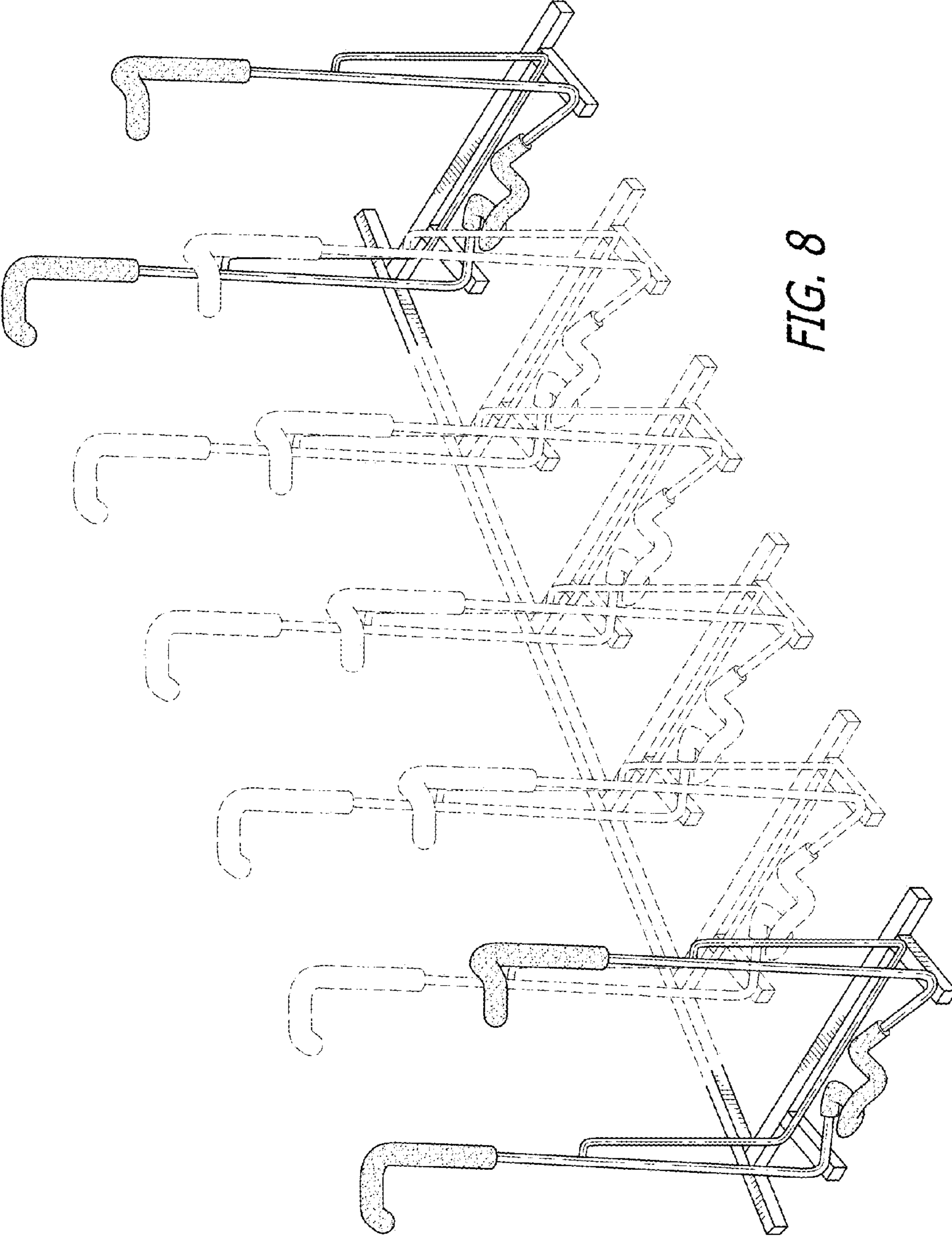


FIG. 7



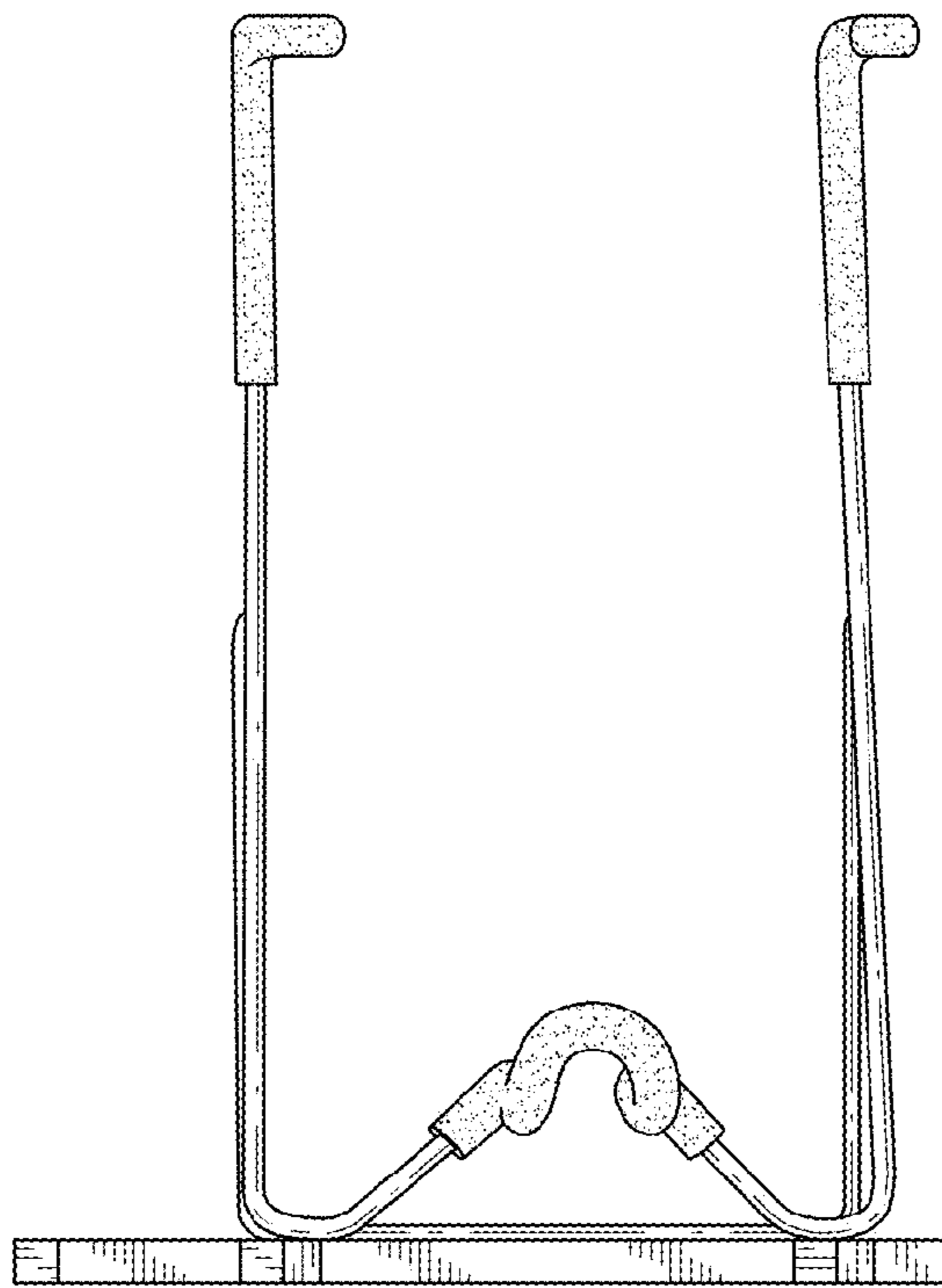
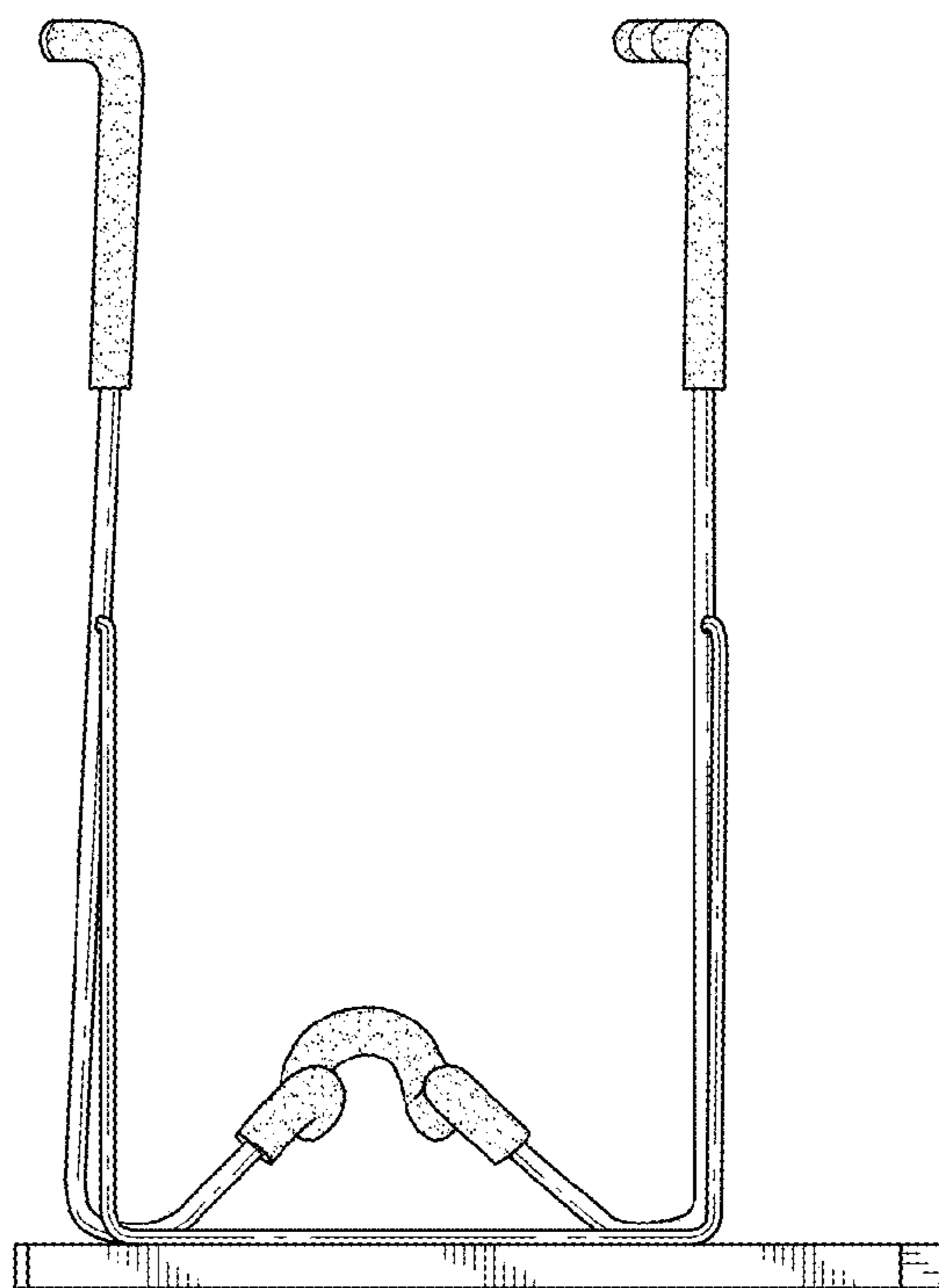


FIG. 9

FIG. 10



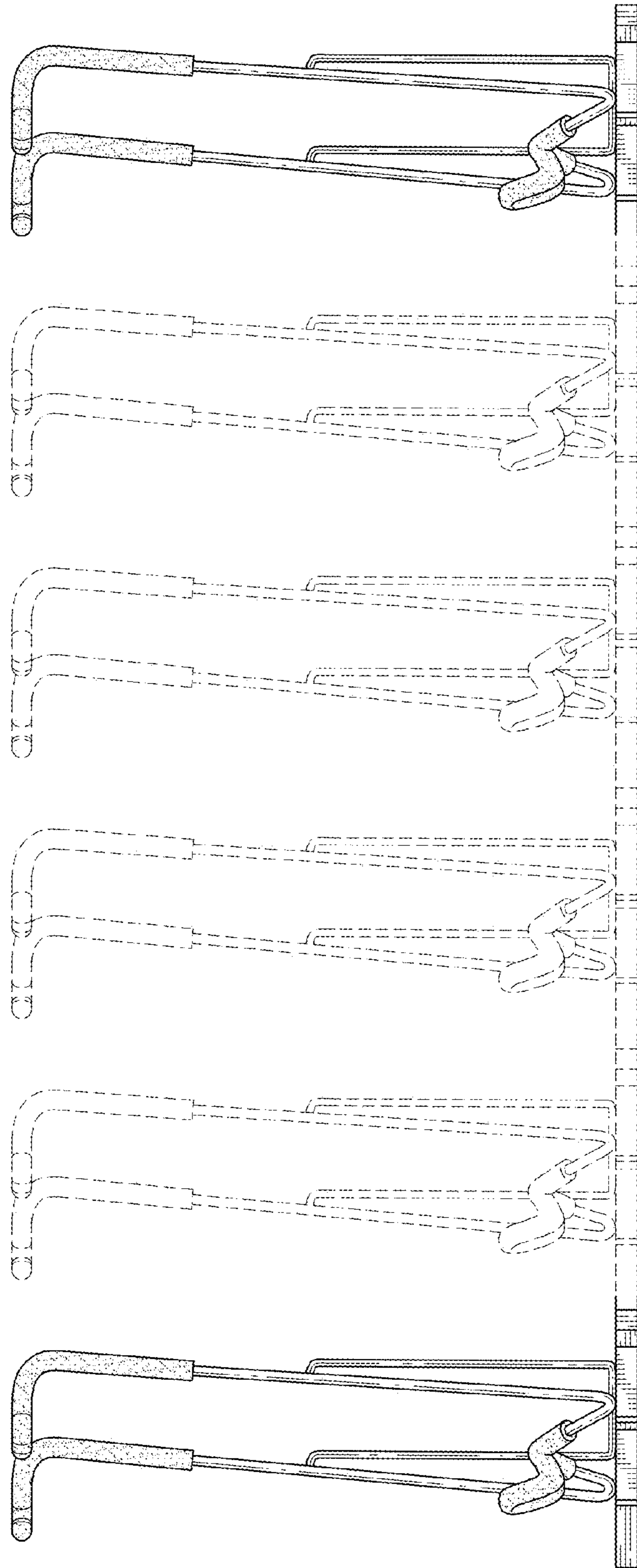


FIG. 11

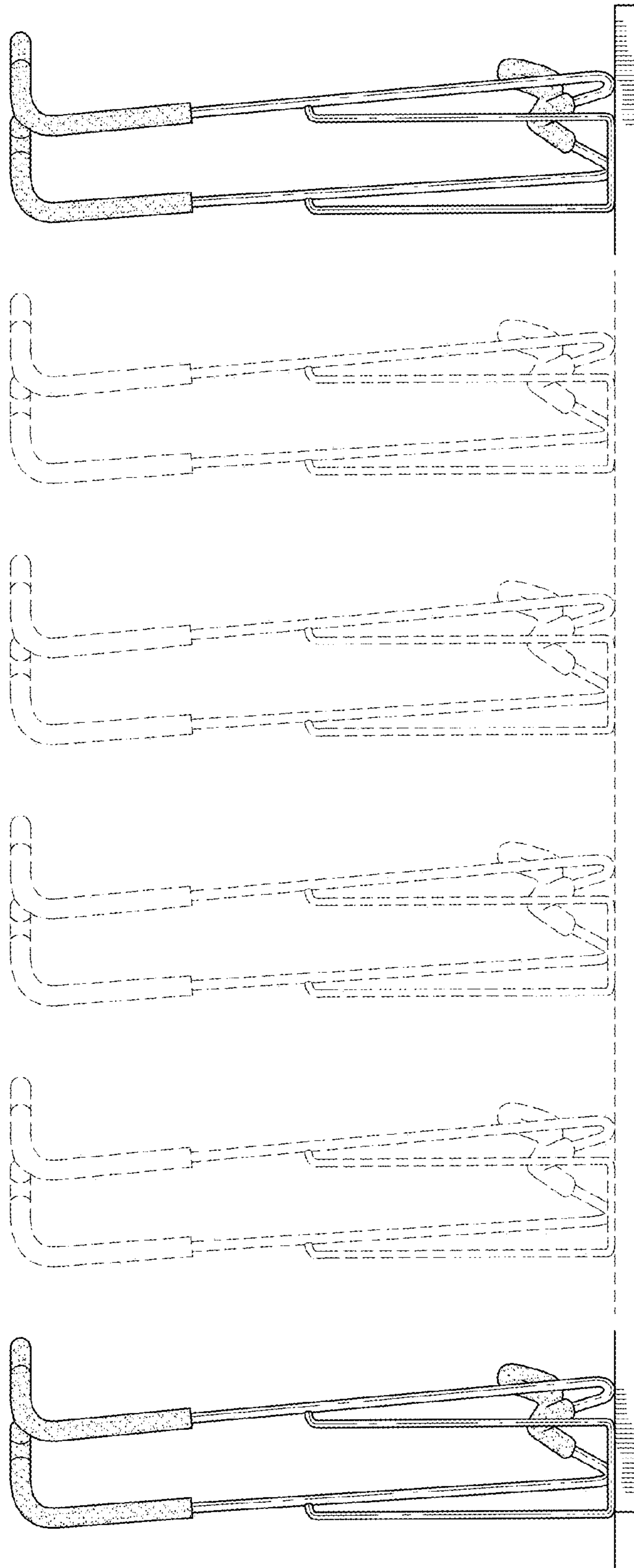


FIG. 12

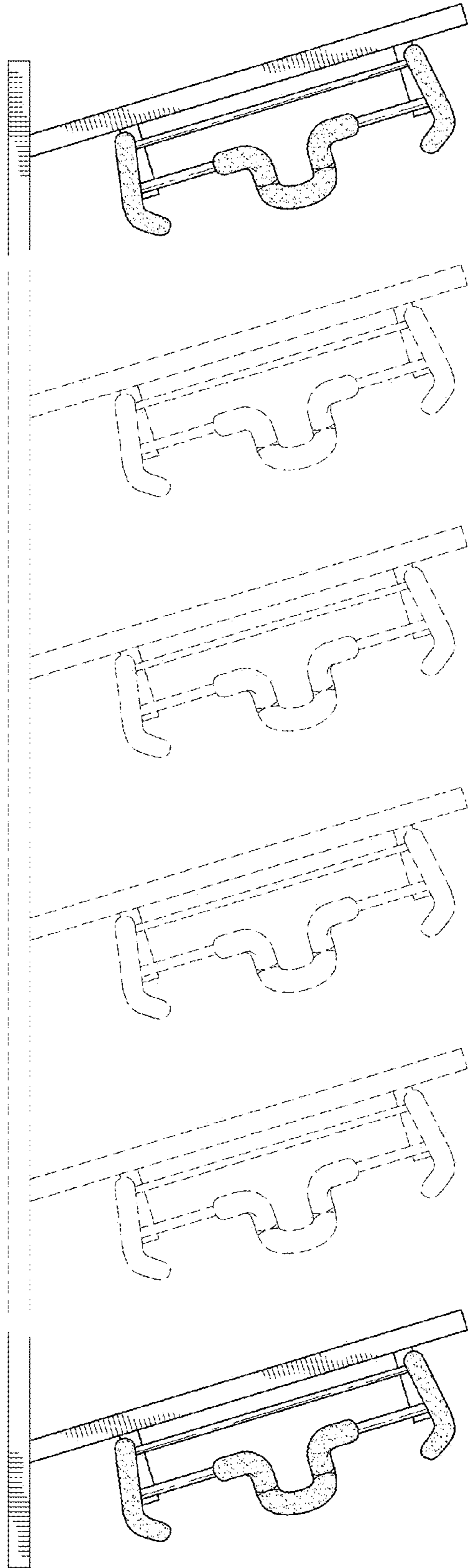


FIG. 13

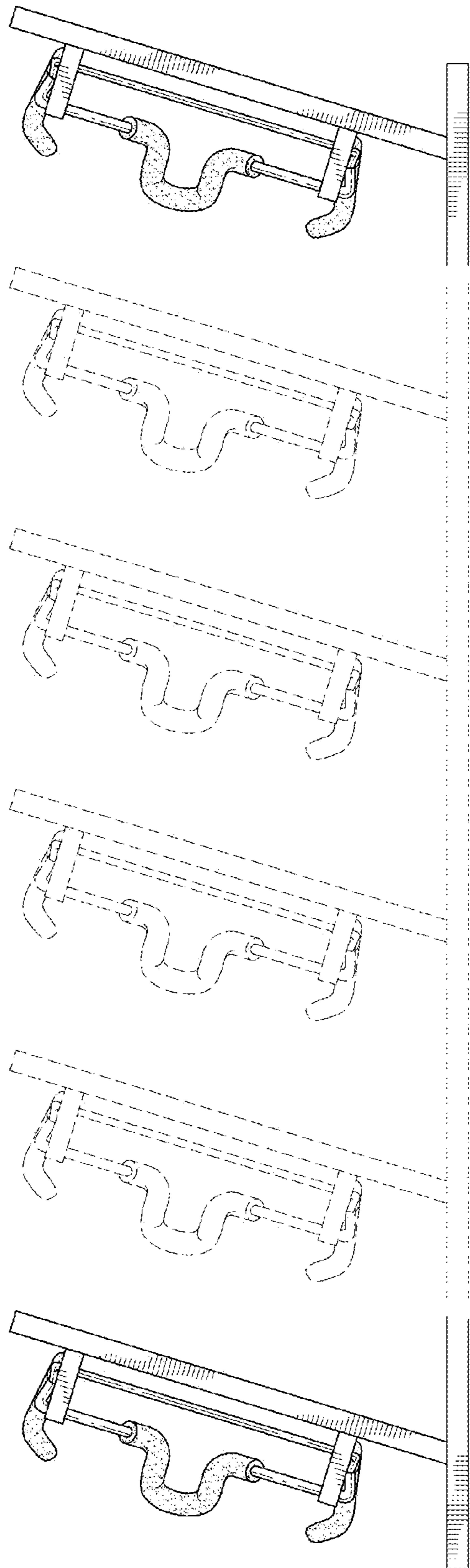


FIG. 14

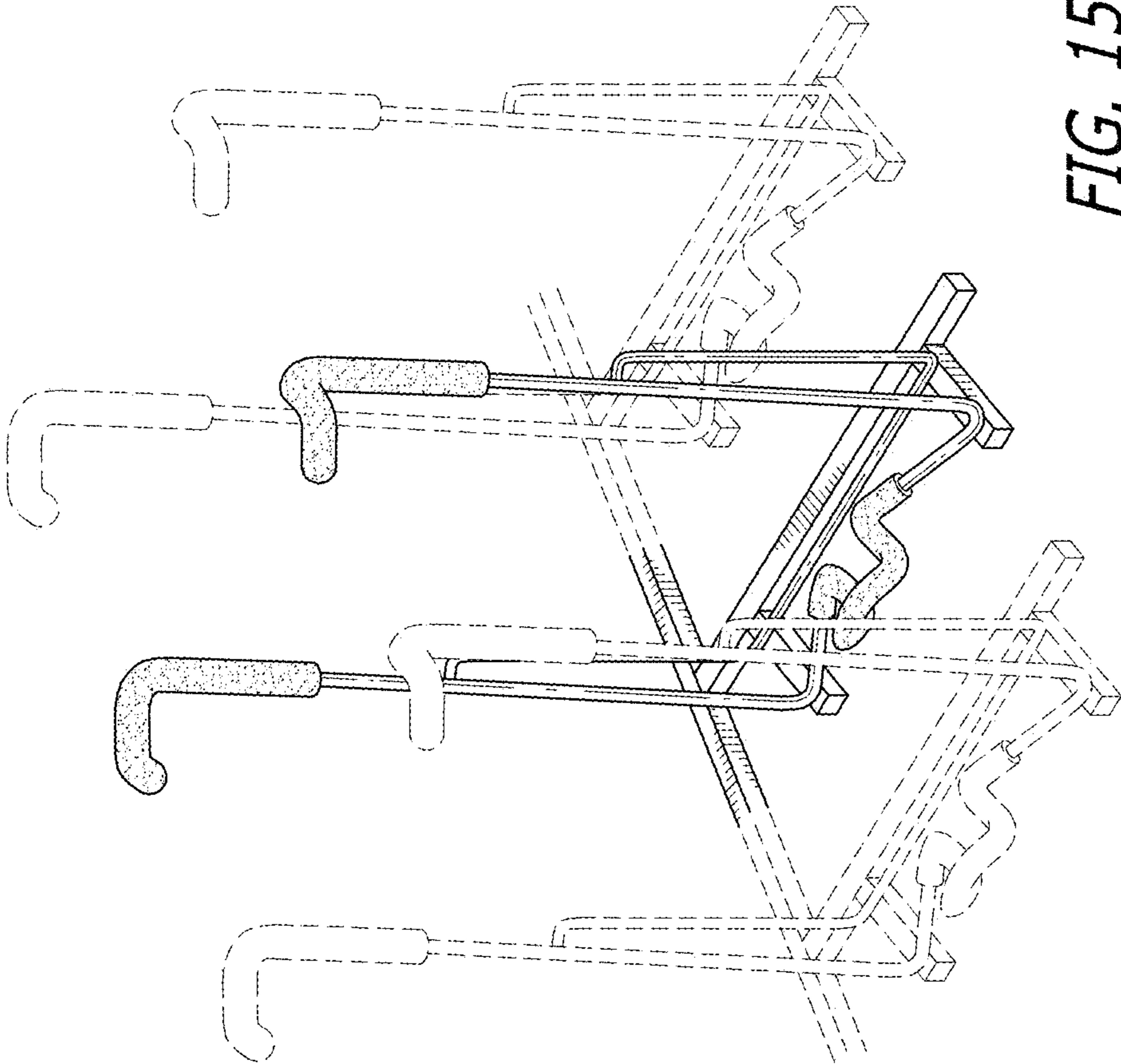


FIG. 15

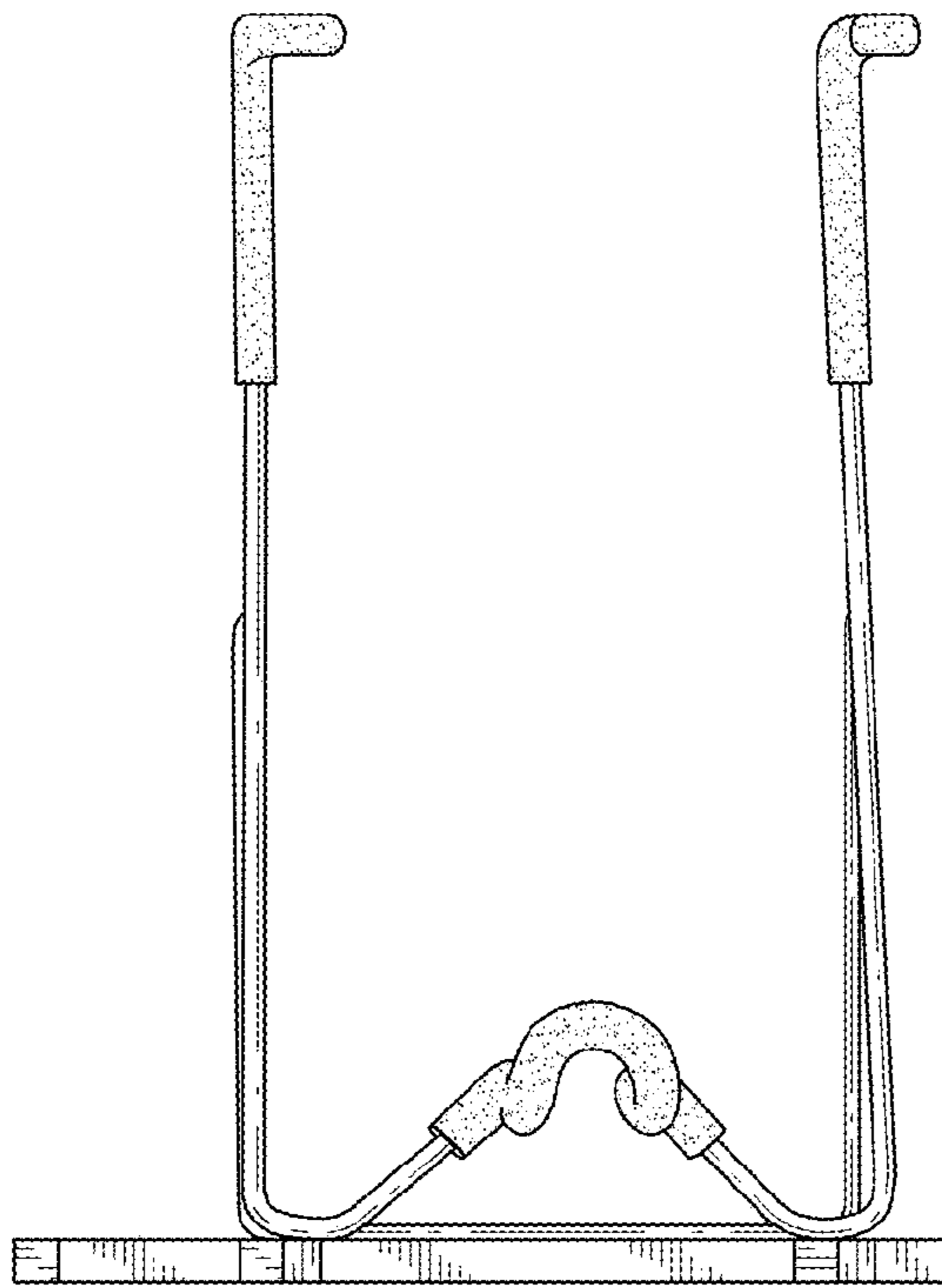


FIG. 16

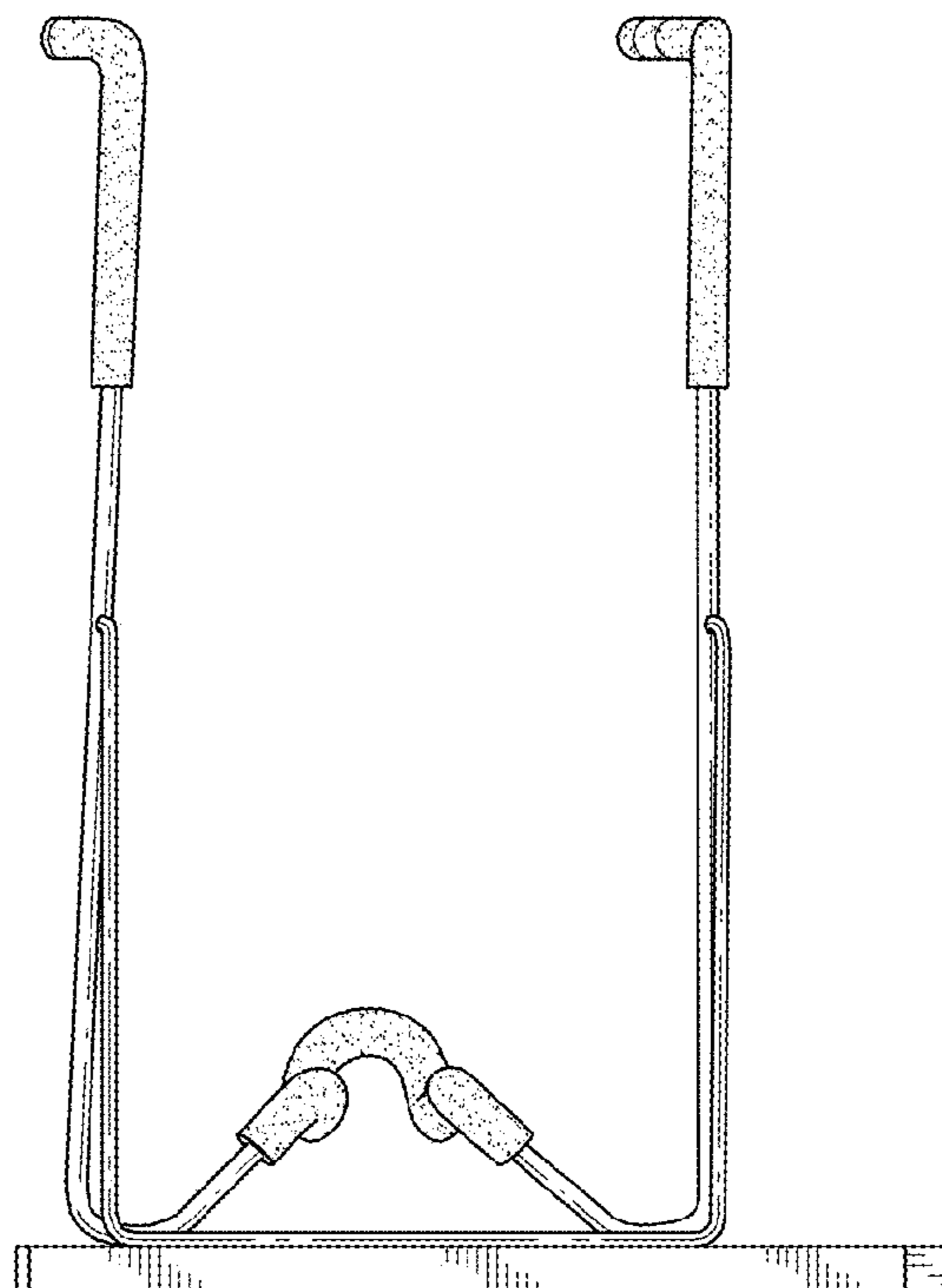


FIG. 17

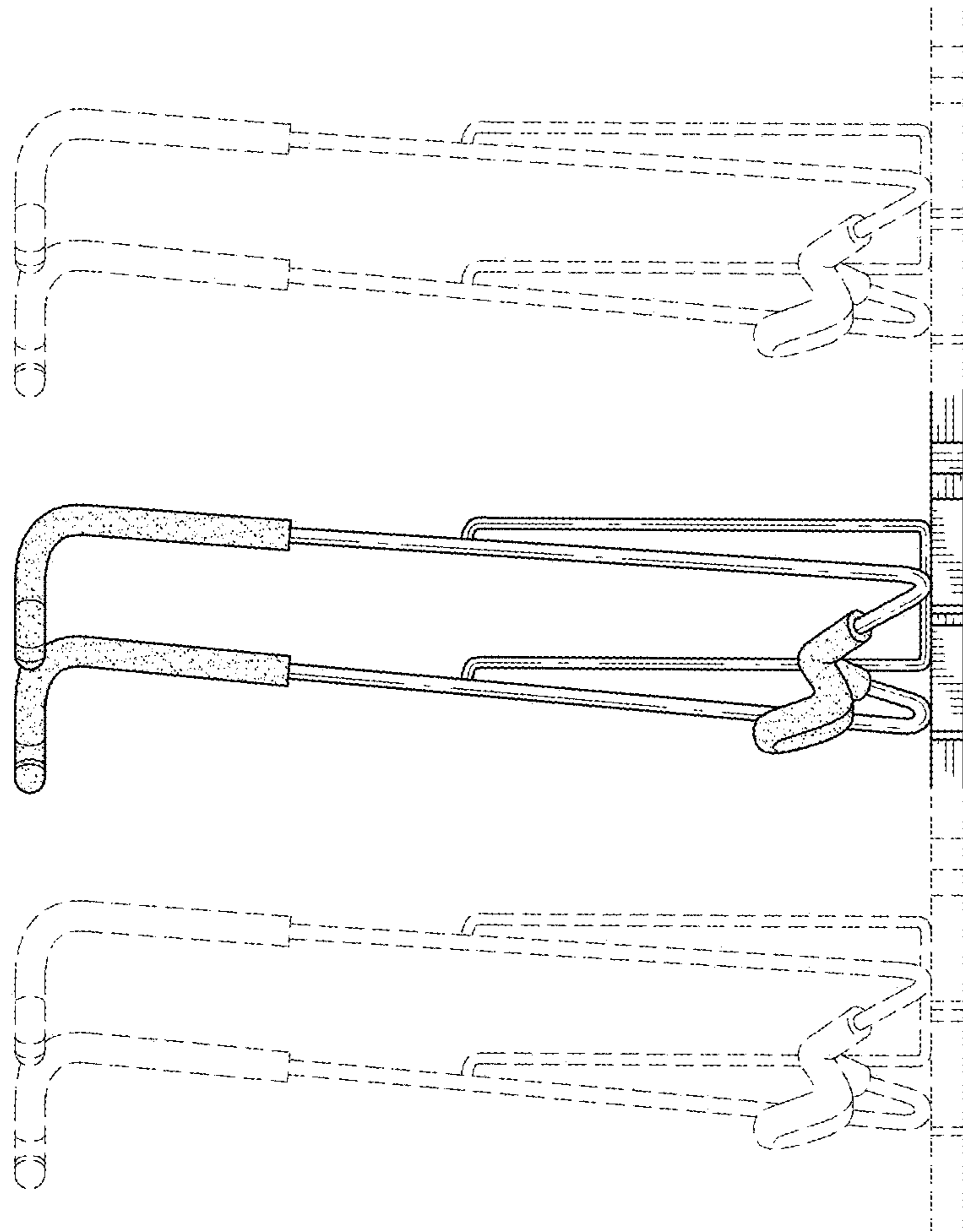


FIG. 18

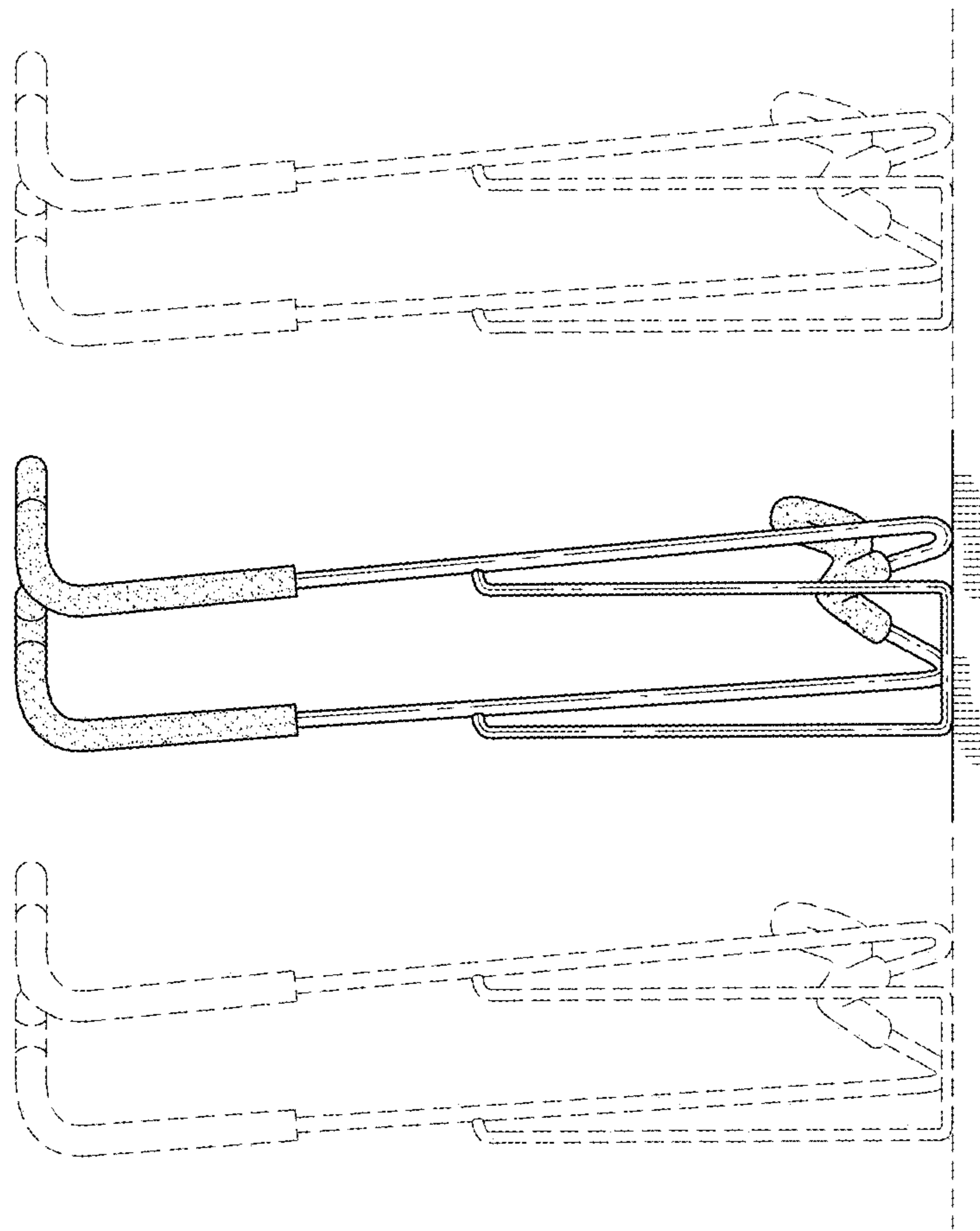


FIG. 19

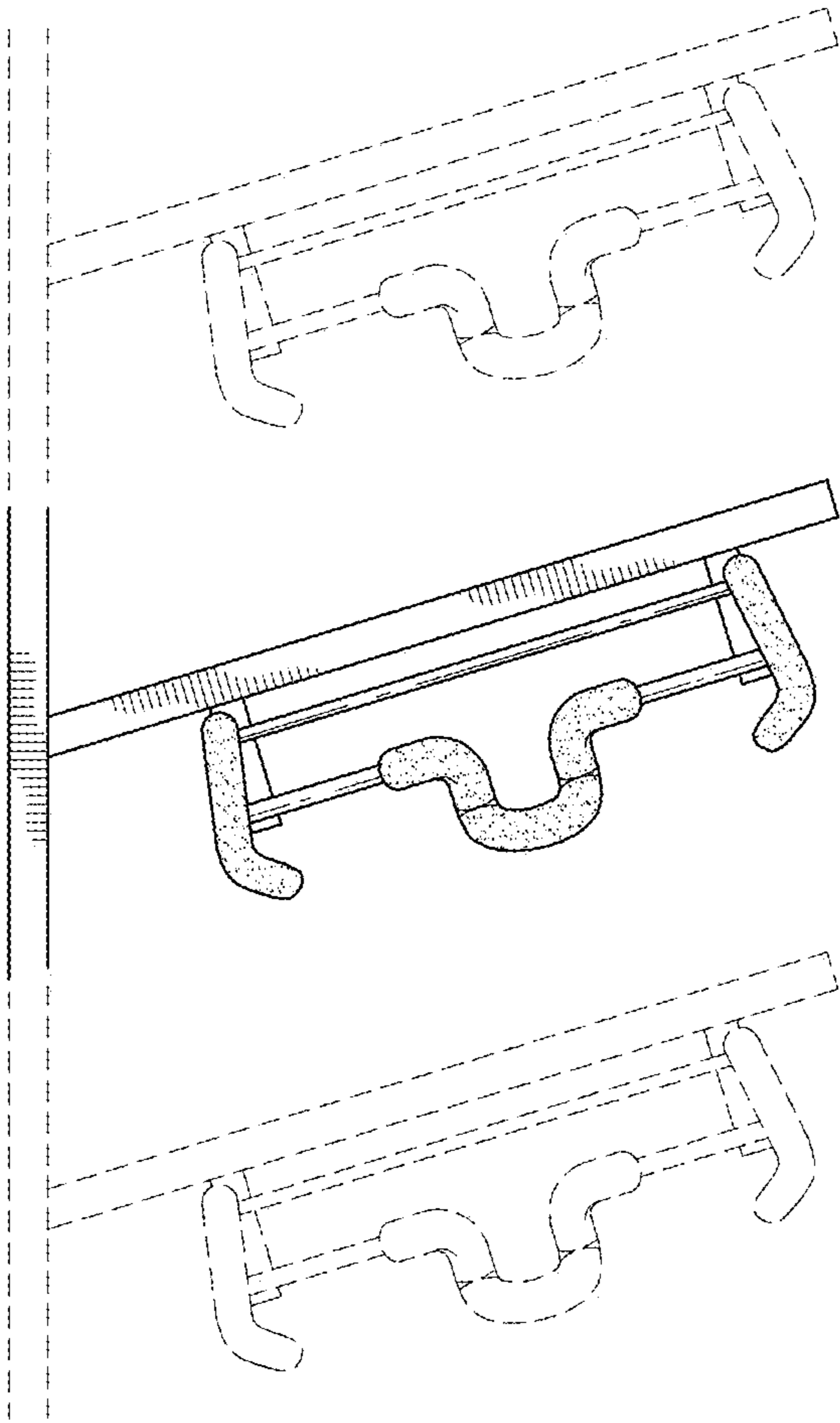


FIG. 20

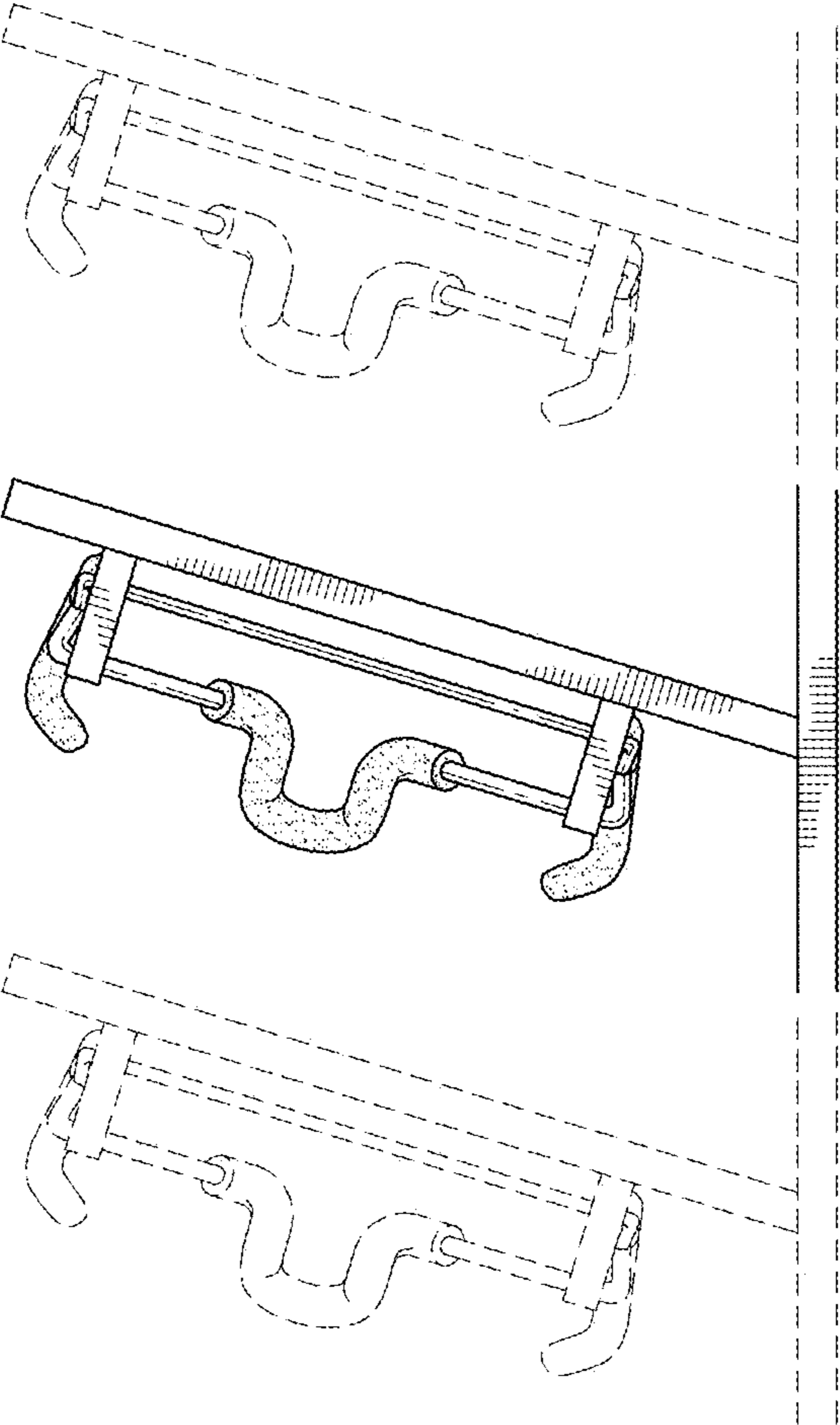


FIG. 21