



US00D684793S

(12) **United States Design Patent**
Kikkert et al.

(10) **Patent No.:** **US D684,793 S**
(45) **Date of Patent:** **** Jun. 25, 2013**

- (54) **RETAIL DISPLAY FIXTURE**
- (75) Inventors: **Janice Angela Kikkert**, Fordwich (CA);
Kevin Roy Sugden, Toronto (CA);
Ingve Holmung, Toronto (CA); **Todd Andrew Wood**, Toronto (CA); **Rodrigo Castaneda Ramirez**, London (GB)
- (73) Assignee: **Research In Motion Limited**, Waterloo, Ontario (CA)

D289,757 S *	5/1987	House	D14/127
D377,170 S *	1/1997	Wilson	D14/130
D395,129 S *	6/1998	Johnson	D99/28
D414,485 S *	9/1999	Hazan	D14/130
D415,330 S *	10/1999	King	D99/28
D467,561 S *	12/2002	Kosciolek	D14/451
D497,496 S *	10/2004	Stewart	D6/443
D497,737 S *	11/2004	Stewart	D6/443
D532,782 S *	11/2006	Russo et al.	D14/307
D533,176 S *	12/2006	Becker et al.	D14/307
D628,742 S *	12/2010	Hsu	D28/9
8,308,554 B2 *	11/2012	Rowe et al.	463/25

(**) Term: **14 Years**

(21) Appl. No.: **29/413,526**

(22) Filed: **Feb. 16, 2012**

(51) **LOC (9) Cl.** **06-04**

(52) **U.S. Cl.**
USPC **D6/449**

(58) **Field of Classification Search**
USPC D6/495, 449, 396, 397, 398, 432,
D6/343, 469, 436, 445, 443; D14/307, 305,
D14/100, 102, 107-109, 127, 130, 451;
D15/133; 705/14.14; 396/2; 211/70.5, 87.01;
312/208.1; 194/206; D99/28, 43; D28/9; 463/25
See application file for complete search history.

(56) **References Cited**

U.S. PATENT DOCUMENTS

3,258,099 A *	6/1966	Hertzschuch et al.	194/206
D272,291 S *	1/1984	Hauser et al.	D99/28
D286,939 S *	11/1986	Barger	D99/43

* cited by examiner

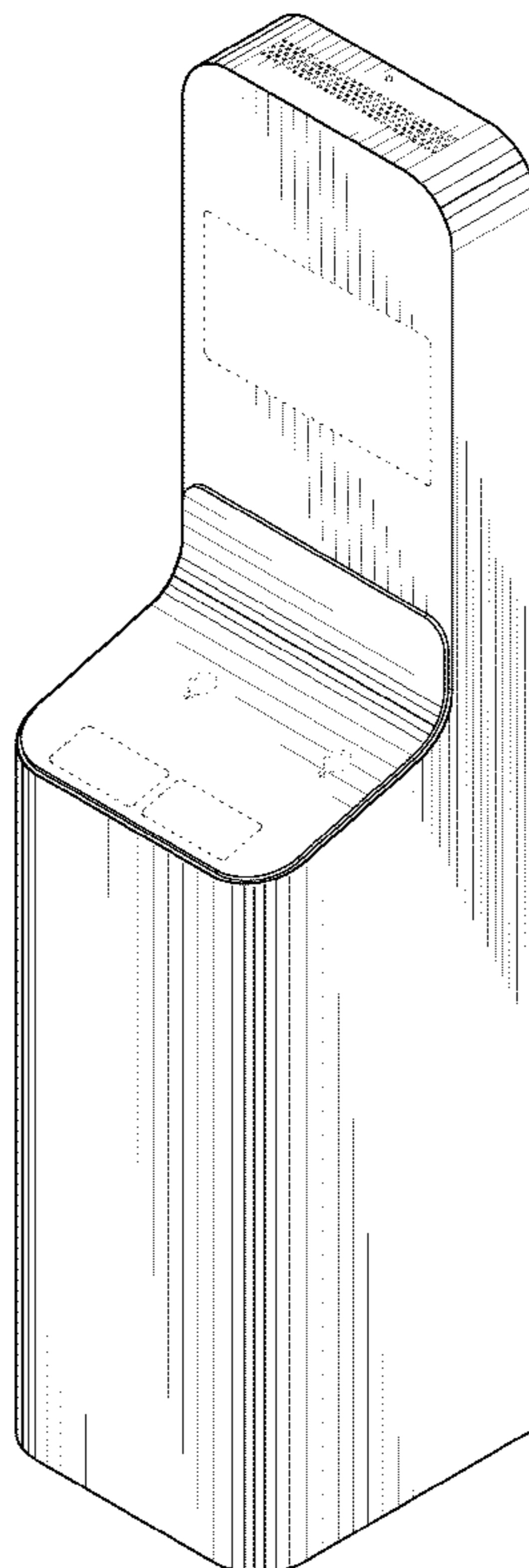
Primary Examiner — Philip S Hyder
Assistant Examiner — Sydney Buffalow

(57) **CLAIM**
We claim the ornamental design for a retail display fixture, as shown and described.

DESCRIPTION

FIG. 1 is a front perspective view of a retail display fixture; FIG. 2 is a back perspective view of the retail display fixture; FIG. 3 is a front elevational view thereof; FIG. 4 is a back elevational view thereof; FIG. 5 is a right elevational view thereof; FIG. 6 is a left elevational view thereof; FIG. 7 is a top plan view thereof; and, FIG. 8 is a bottom plan view thereof. Features of the drawings shown in broken lines represent environment for illustrative purposes; the broken lines form no part of the claimed design.

1 Claim, 6 Drawing Sheets



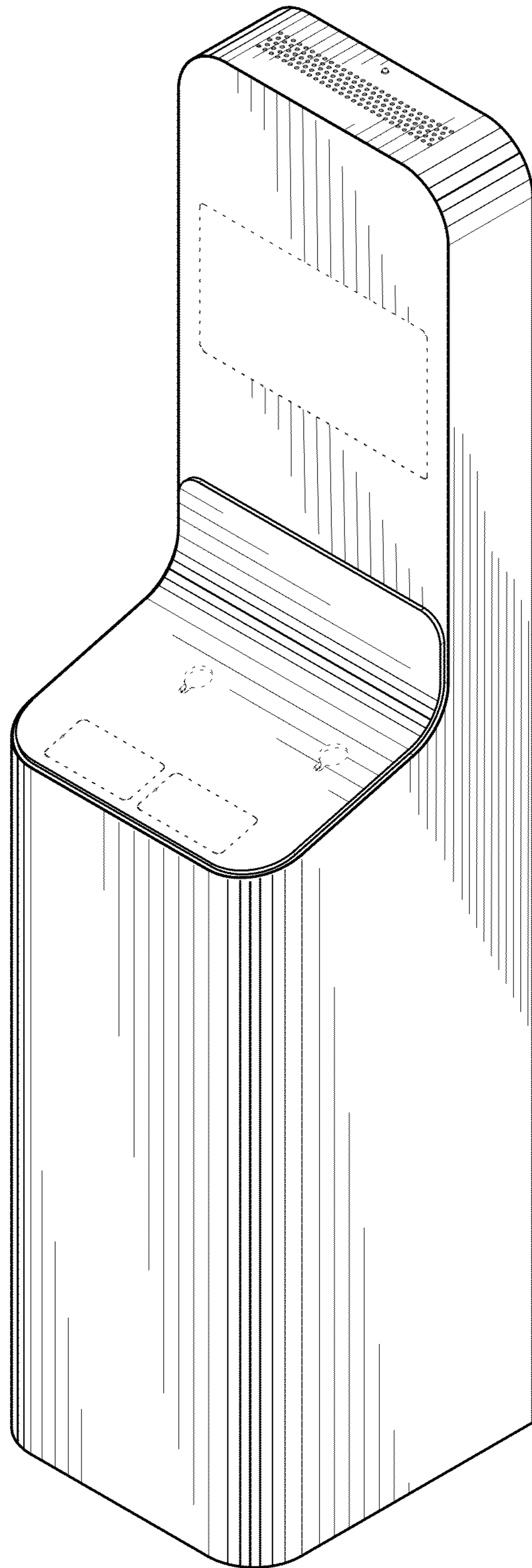


FIG. 1

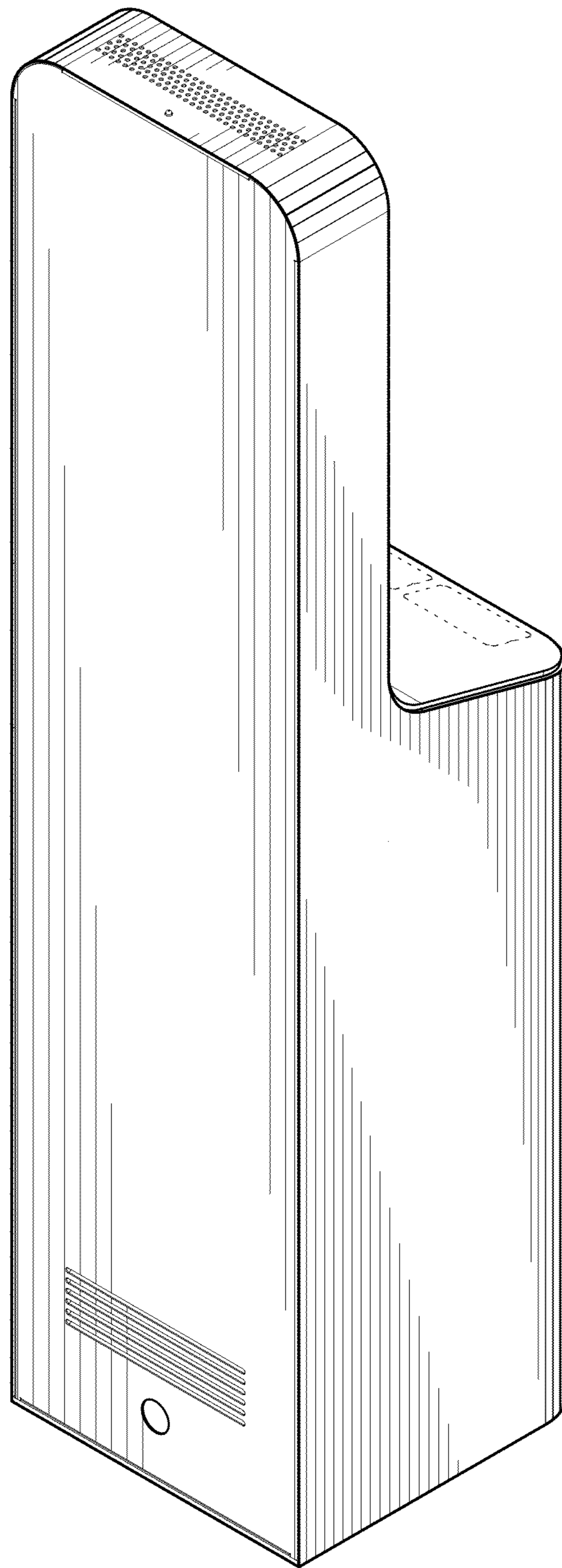


FIG.2

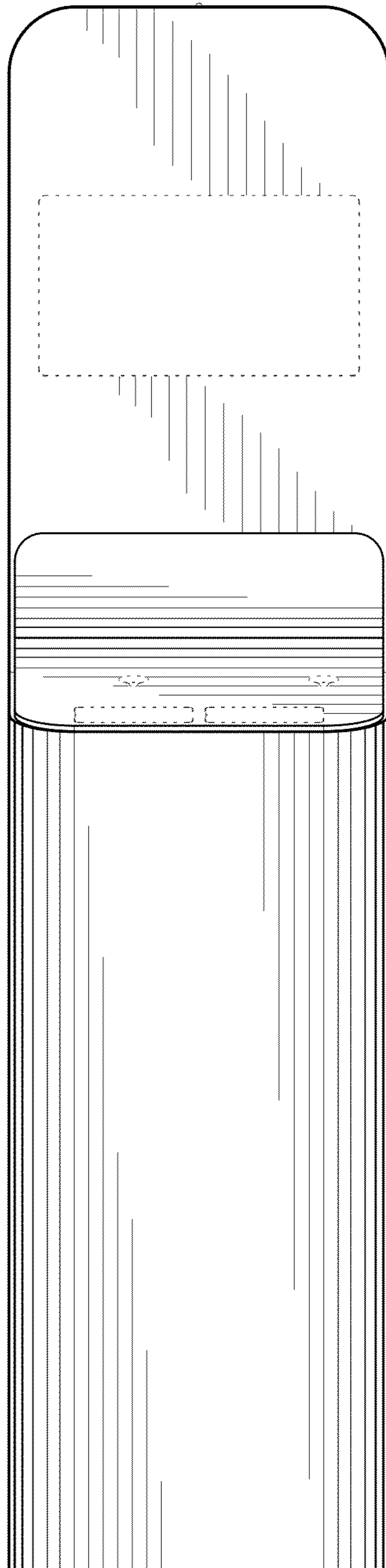


FIG.3

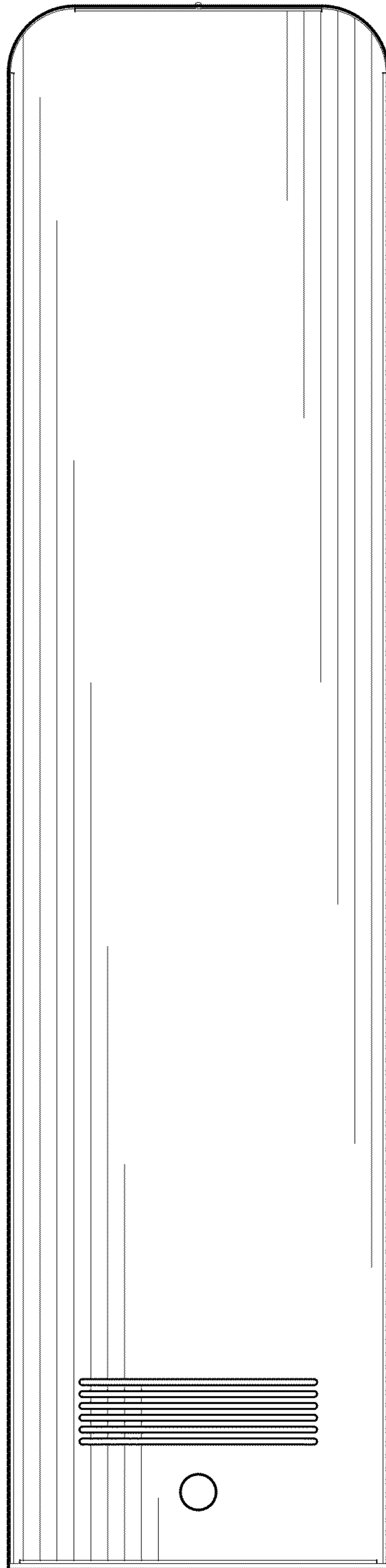


FIG.4

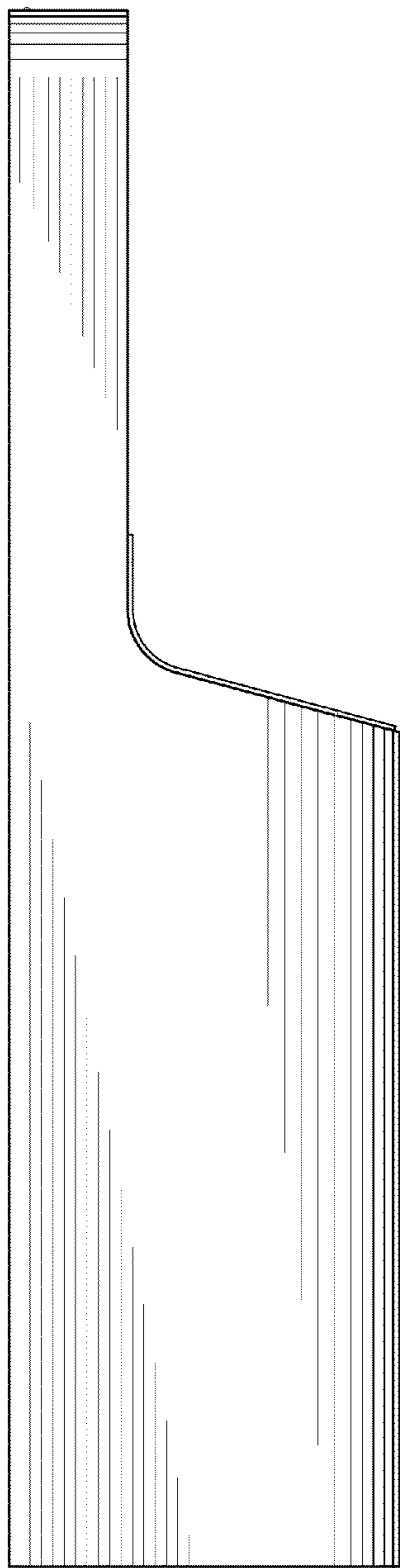


FIG. 5

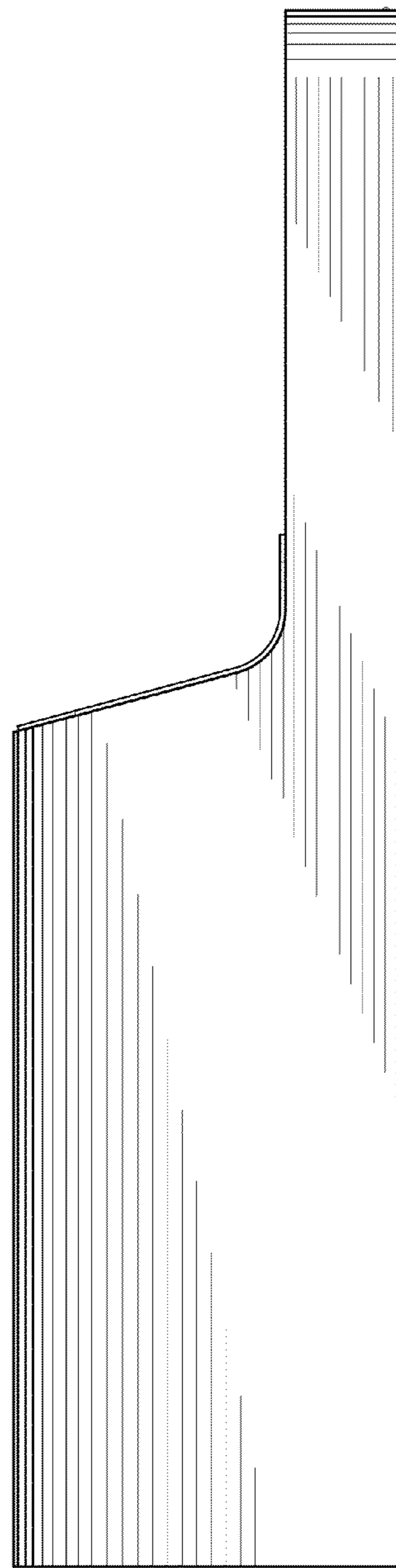


FIG. 6

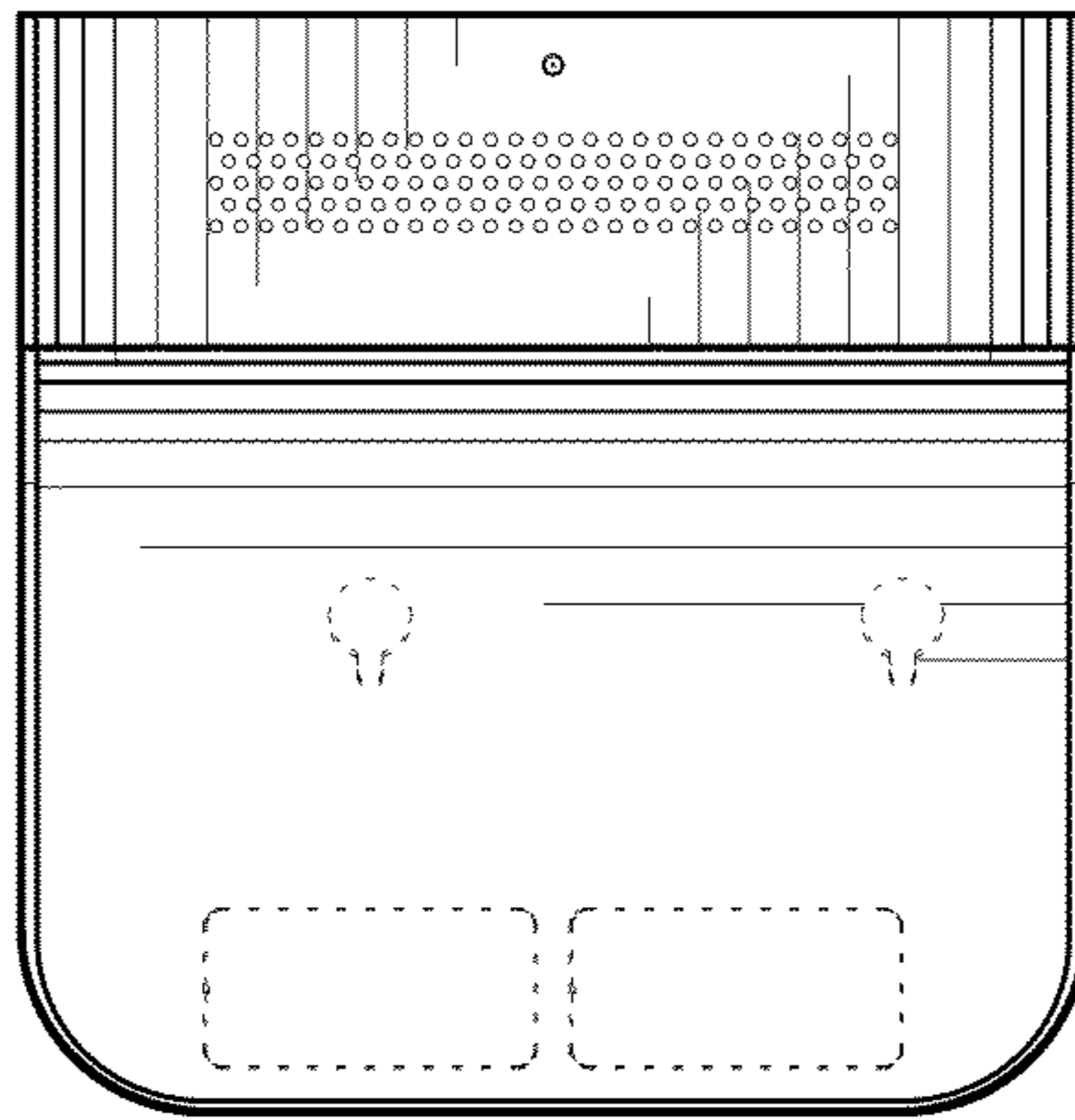


FIG. 7

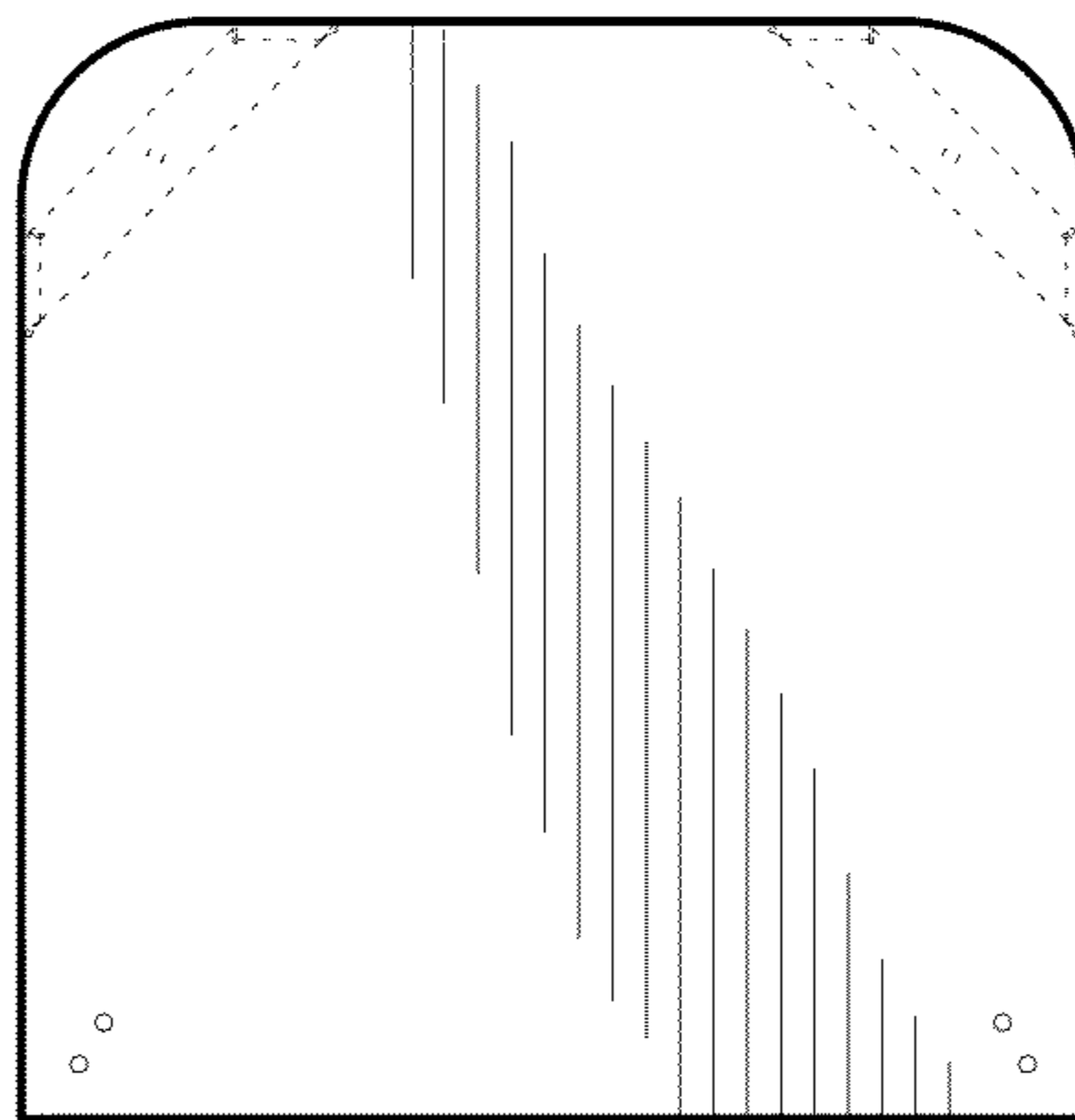


FIG. 8