



US00D684792S

(12) **United States Design Patent**
Kikkert et al.

(10) **Patent No.:** **US D684,792 S**
(45) **Date of Patent:** **** Jun. 25, 2013**

(54) **RETAIL DISPLAY FIXTURE**
(75) Inventors: **Janice Angela Kikkert**, Fordwich (CA);
Kevin Roy Sugden, Toronto (CA);
Ingye Holmung, Toronto (CA); **Todd**
Andrew Wood, Toronto (CA); **Rodrigo**
Castaneda Ramirez, London (GB)
(73) Assignee: **Research In Motion Limited**, Waterloo,
Ontario (CA)

D377,170 S * 1/1997 Wilson D14/130
D395,129 S * 6/1998 Johnson D99/28
D414,485 S * 9/1999 Hazan D14/130
D415,330 S * 10/1999 King D99/28
D467,561 S * 12/2002 Kosciolek D14/451
D497,496 S * 10/2004 Stewart D6/443
D497,737 S * 11/2004 Stewart D6/443
D532,782 S * 11/2006 Russo et al. D14/307
D533,176 S * 12/2006 Becker et al. D14/307
D628,742 S * 12/2010 Hsu D28/9
8,308,554 B2 * 11/2012 Rowe et al. 463/25

* cited by examiner

(**) Term: **14 Years**

Primary Examiner — Philip S Hyder
Assistant Examiner — Sydney Buffalow

(21) Appl. No.: **29/413,522**

(22) Filed: **Feb. 16, 2012**

(51) **LOC (9) Cl.** **06-04**

(52) **U.S. Cl.**
USPC **D6/449**

(58) **Field of Classification Search**
USPC D6/495, 449, 396, 397, 398, 432,
D6/343, 469, 436, 445, 443; D14/307, 305,
D14/100, 102, 107-109, 127, 130, 451;
D15/133; 705/14.14; 396/2; 211/70.5, 87.01,
211/175, 88.01; 312/208.1; 194/206; D99/28,
D99/43; D28/9; 463/25
See application file for complete search history.

(57) **CLAIM**

We claim the ornamental design for a retail display fixture, as shown and described.

DESCRIPTION

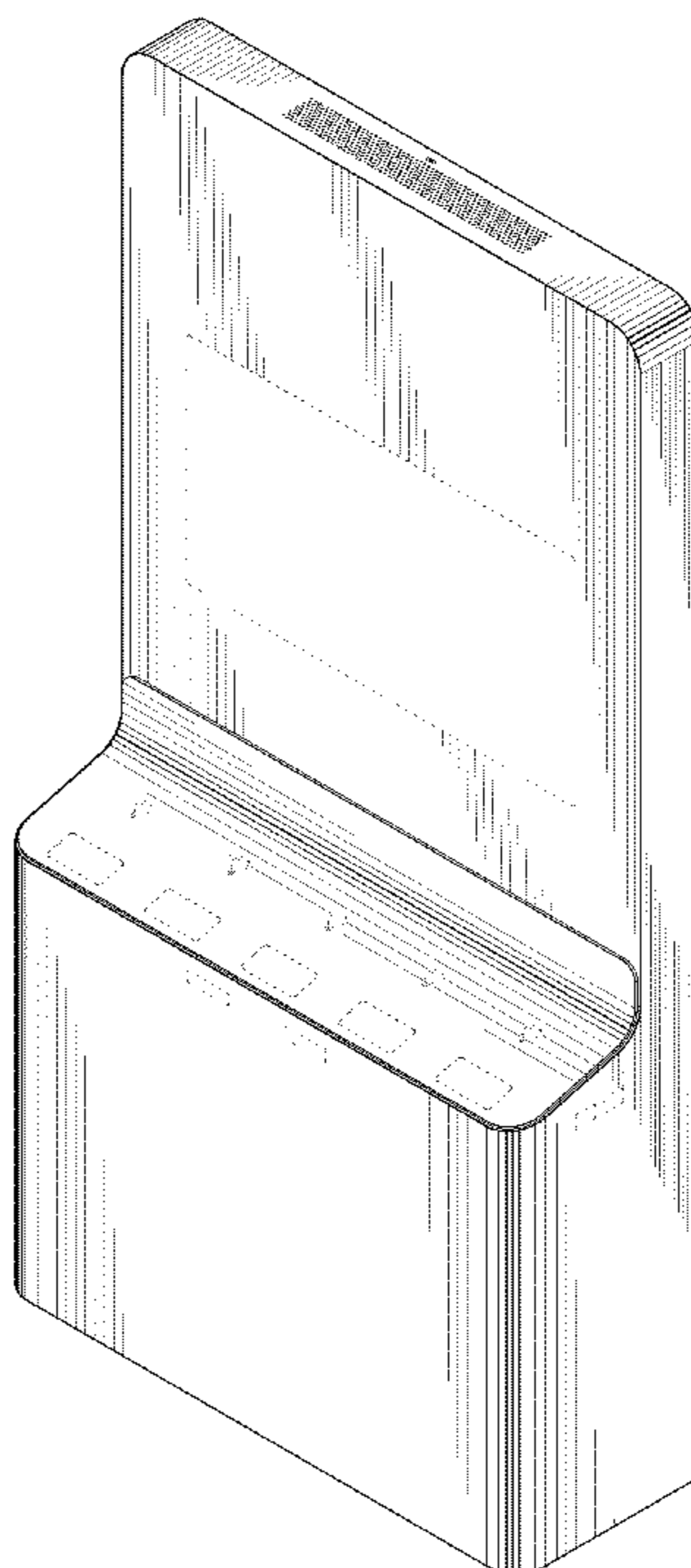
FIG. 1 is a front perspective view of a retail display fixture;
FIG. 2 is a back perspective view of the retail display fixture;
FIG. 3 is a front elevational view thereof;
FIG. 4 is a back elevational view thereof;
FIG. 5 is a right elevational view thereof;
FIG. 6 is a left elevational view thereof;
FIG. 7 is a top plan view thereof; and,
FIG. 8 is a bottom plan view thereof.
Features of the drawings shown in broken lines represent environment for illustrative purposes; the broken lines form no part of the claimed design.

(56) **References Cited**

U.S. PATENT DOCUMENTS

3,258,099 A * 6/1966 Hertzschuch et al. 194/206
D272,291 S * 1/1984 Hauser et al. D99/28
D286,939 S * 11/1986 Barger D99/43
D289,757 S * 5/1987 House D14/127

1 Claim, 6 Drawing Sheets



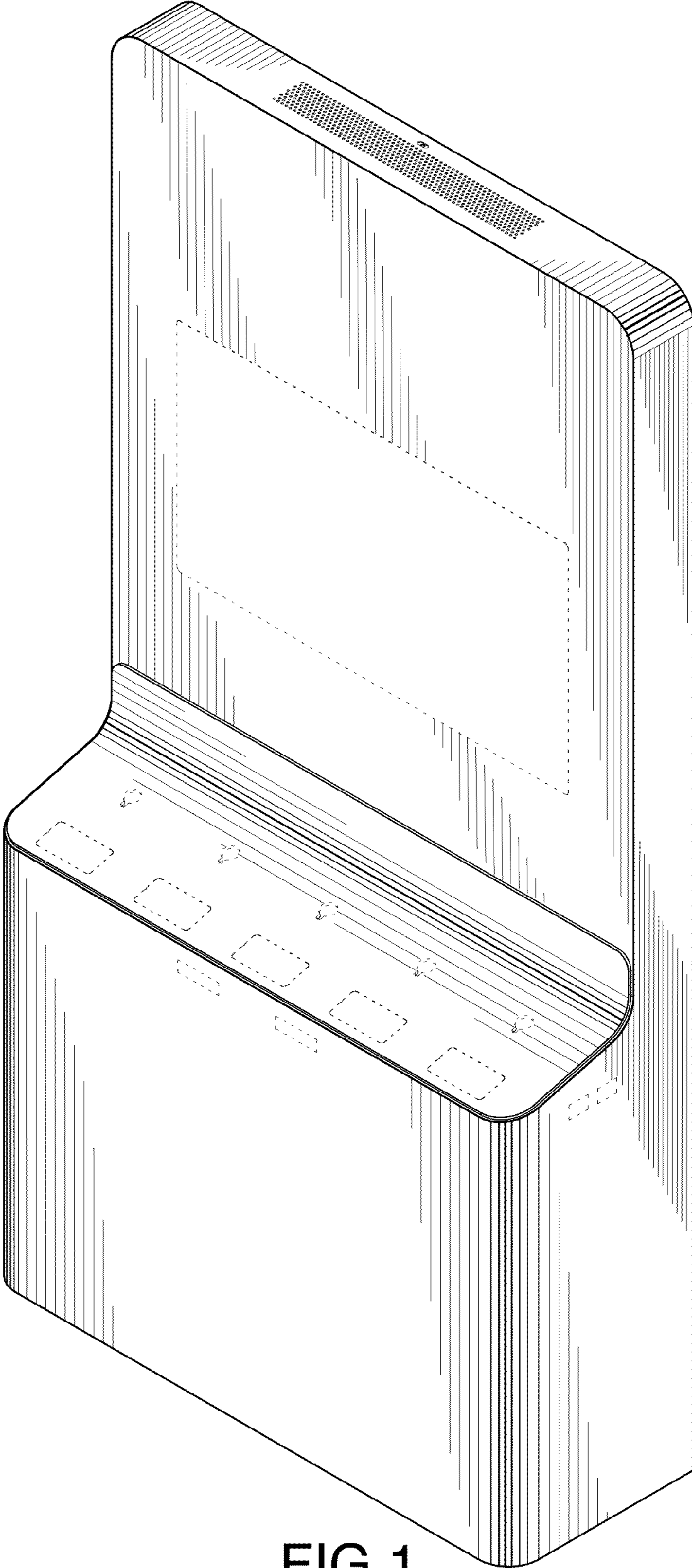


FIG.1

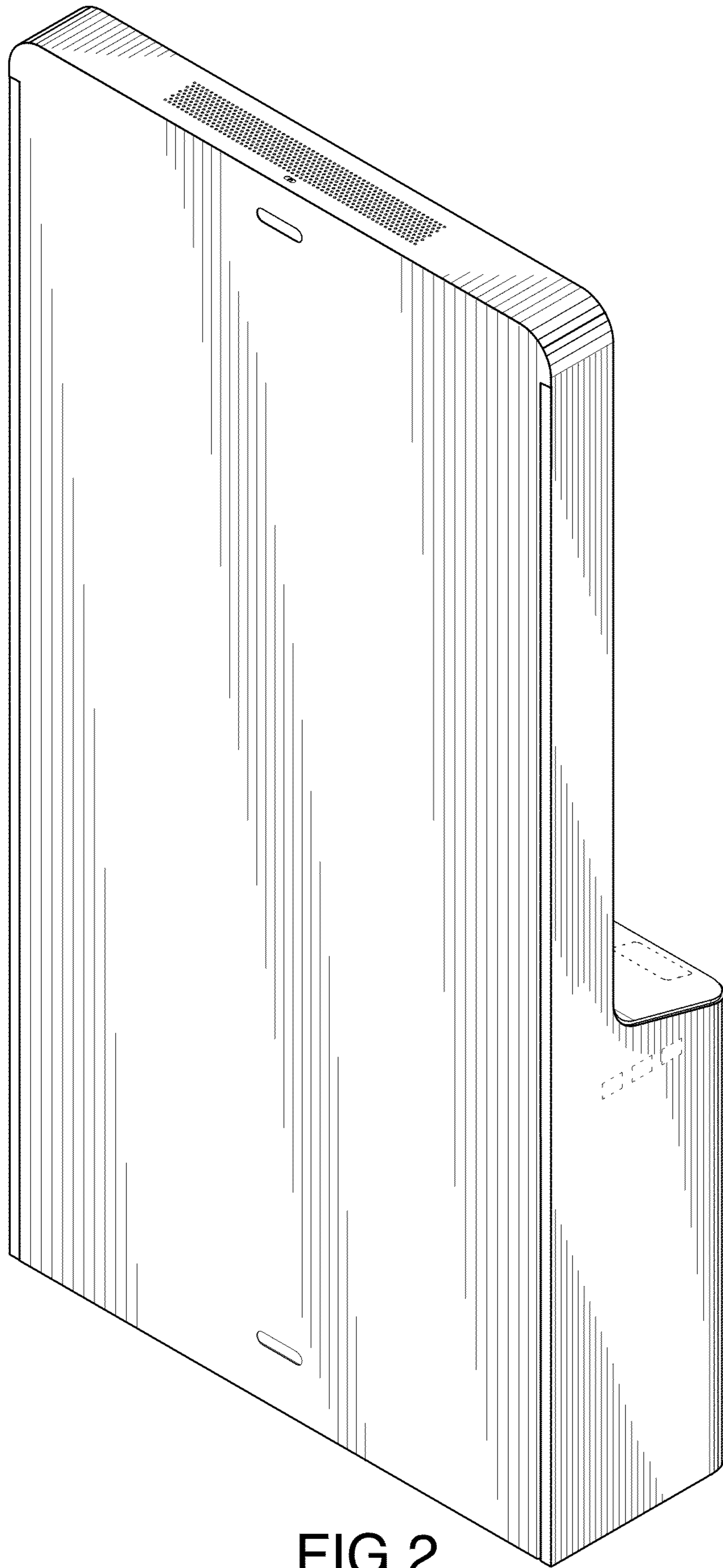


FIG.2

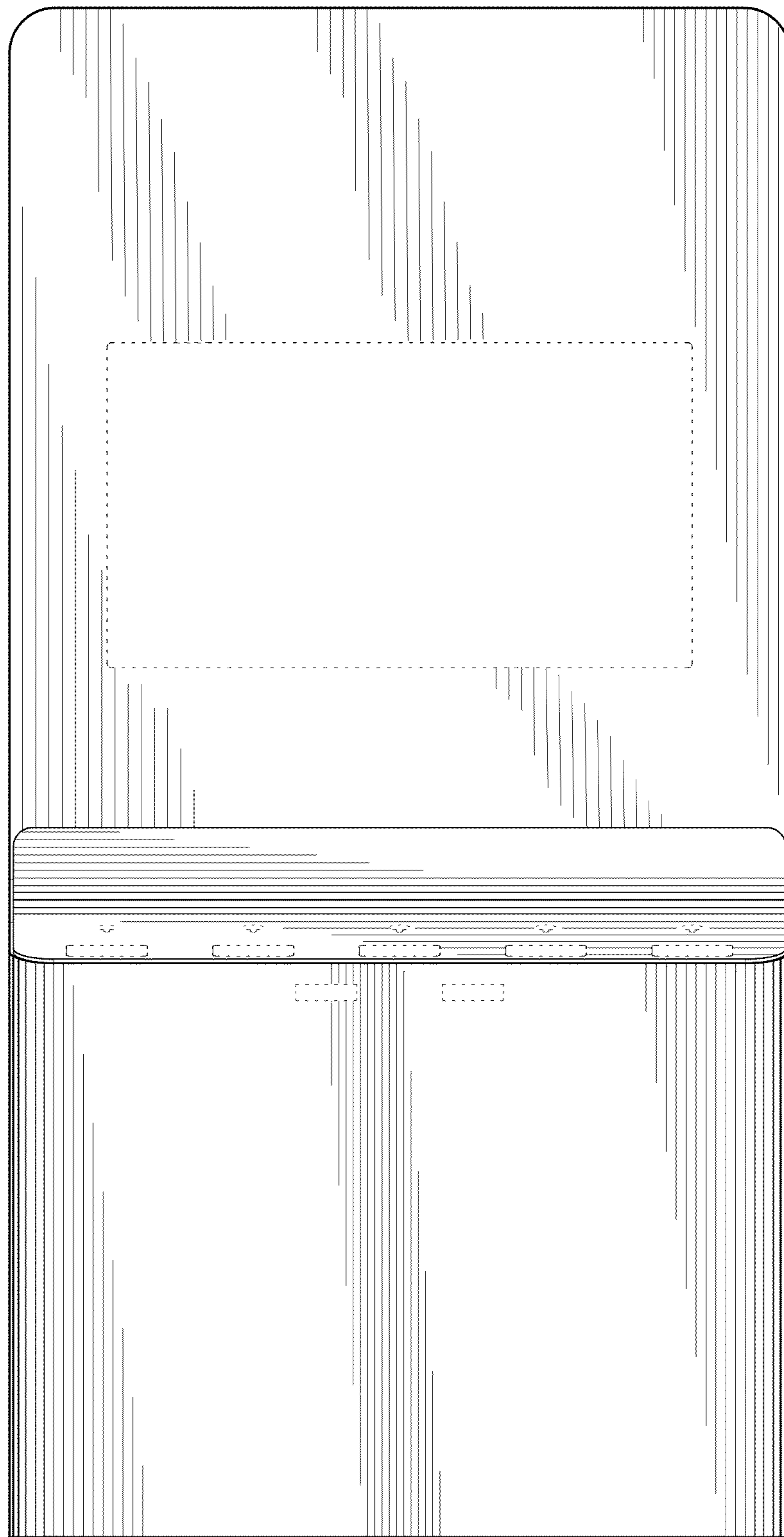


FIG.3

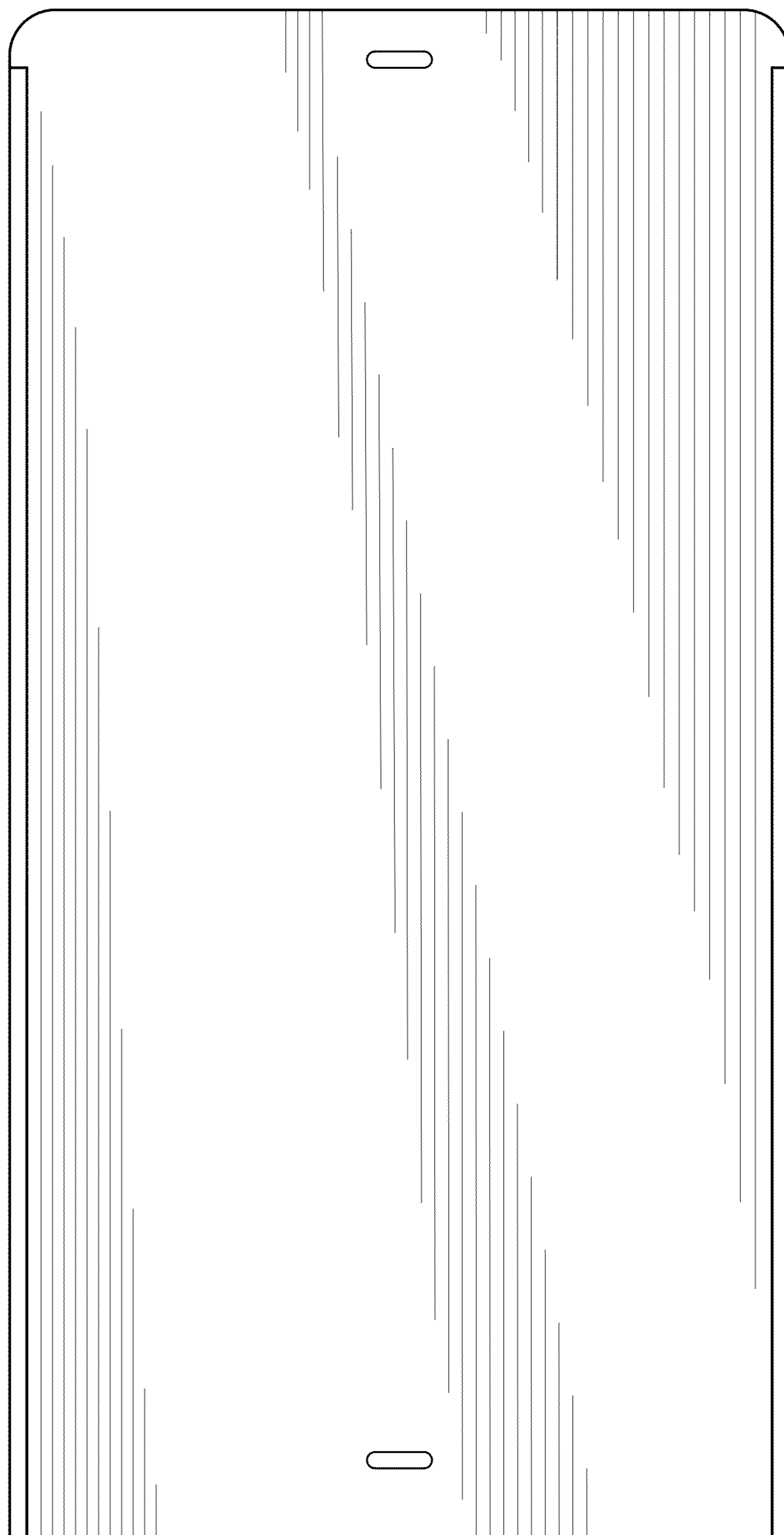


FIG.4

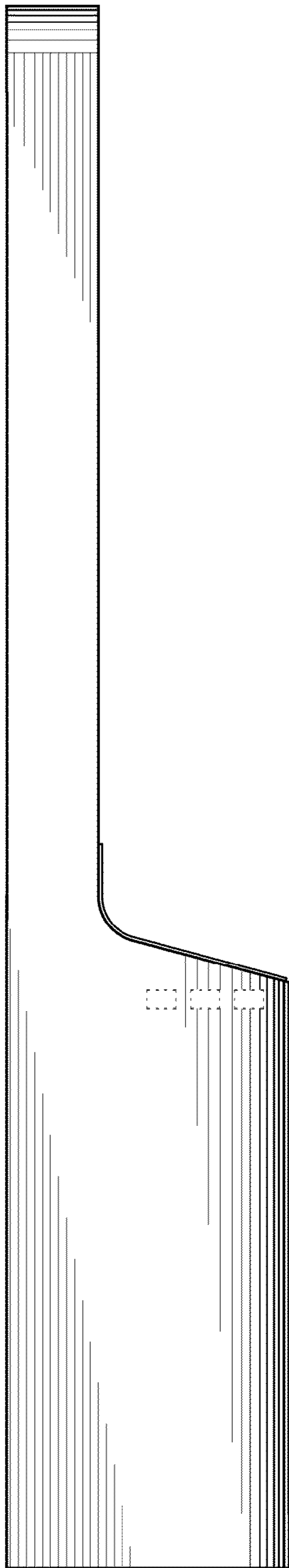


FIG. 5

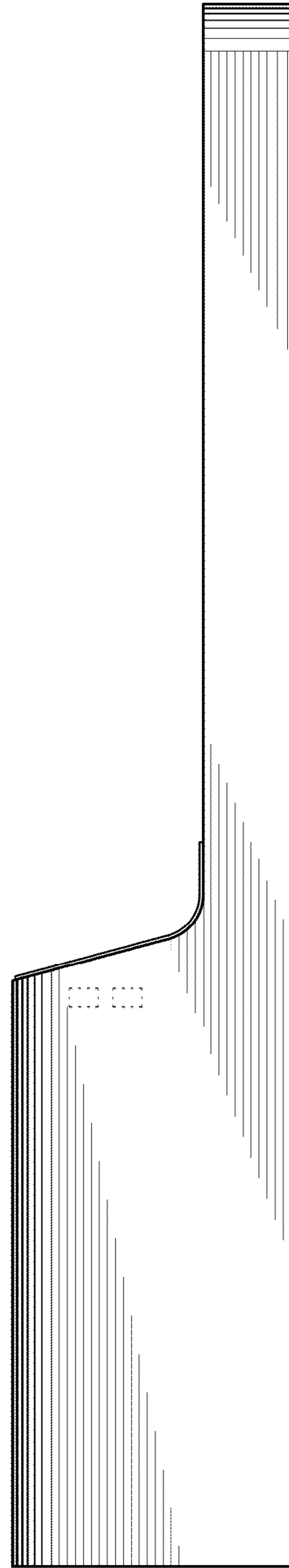


FIG. 6

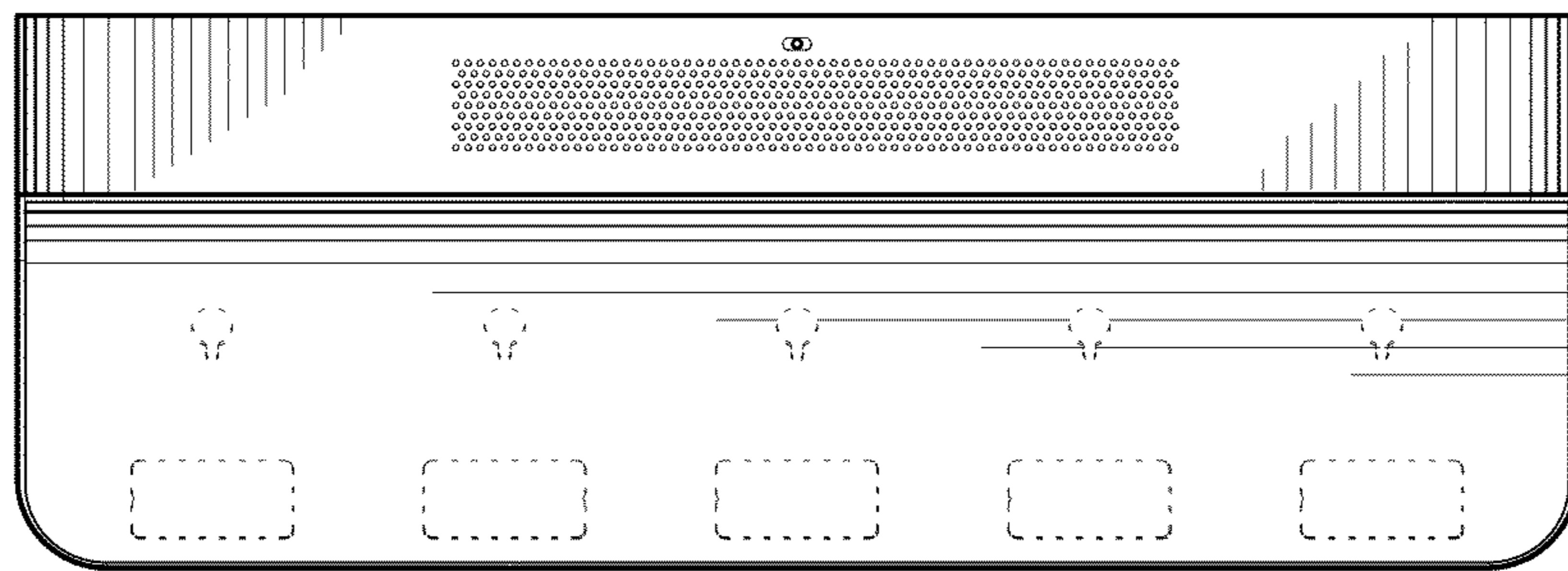


FIG. 7

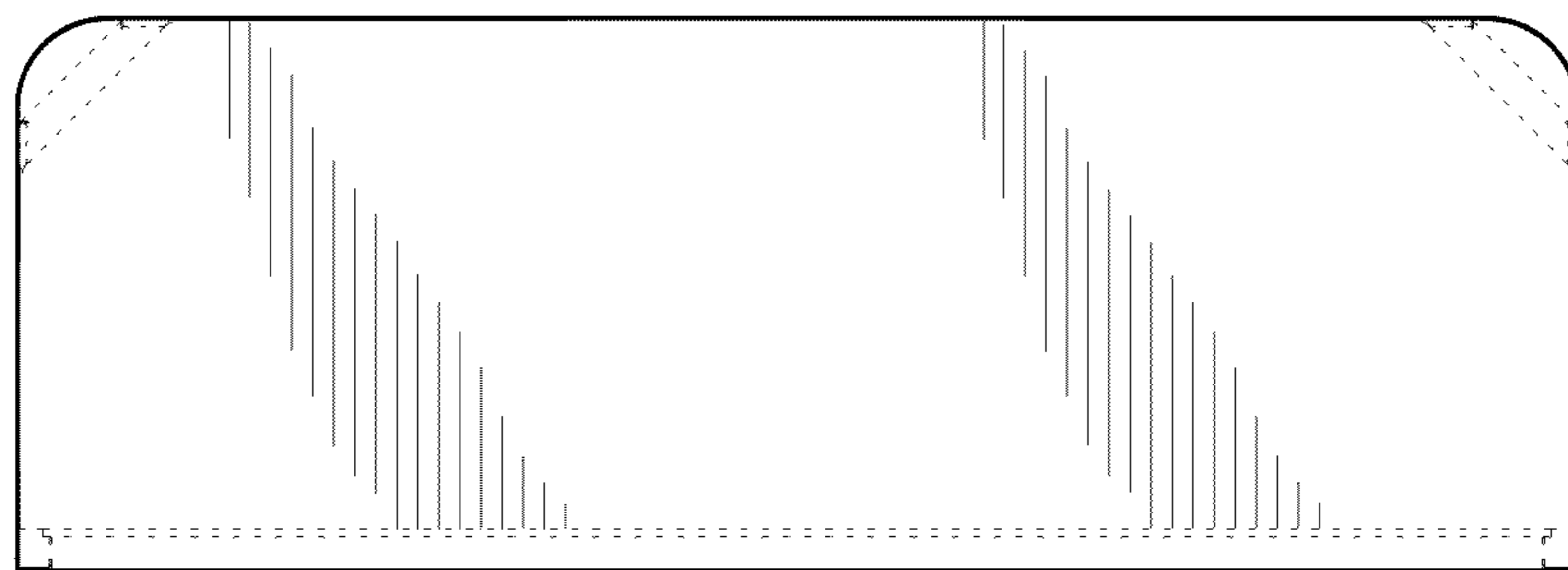


FIG. 8