



US00D684790S

(12) **United States Design Patent**
Boatright

(10) **Patent No.:** **US D684,790 S**

(45) **Date of Patent:** **** Jun. 25, 2013**

(54) **BED**
(76) **Inventor:** **Chaney Boatright**, Tuscaloosa, AL (US)

(**) **Term:** **14 Years**

(21) **Appl. No.:** **29/416,205**

(22) **Filed:** **Mar. 20, 2012**

(51) **LOC (9) Cl.** **06-02**

(52) **U.S. Cl.**
USPC **D6/388**

(58) **Field of Classification Search**
USPC D6/382-384, 388, 393-395, 505-508,
D6/450; 5/53.1, 279.1, 280, 281, 907, 2.1;
D12/300, 302
See application file for complete search history.

(56) **References Cited**

U.S. PATENT DOCUMENTS

2,376,753	A *	5/1945	Bowen	114/357
D238,566	S *	1/1976	Palmer	D12/300
3,943,586	A *	3/1976	Palmer	114/356
D286,590	S *	11/1986	Smith	D6/390

D287,077	S *	12/1986	Hart	D6/390
D338,284	S *	8/1993	Barreto et al.	D30/118
5,282,436	A *	2/1994	Hansen	114/283
D383,332	S *	9/1997	Schneider	D6/450

* cited by examiner

Primary Examiner — Janice Seeger

(74) *Attorney, Agent, or Firm* — C. Brandon Browning;
Maynard Cooper & Gale, PC

(57) **CLAIM**

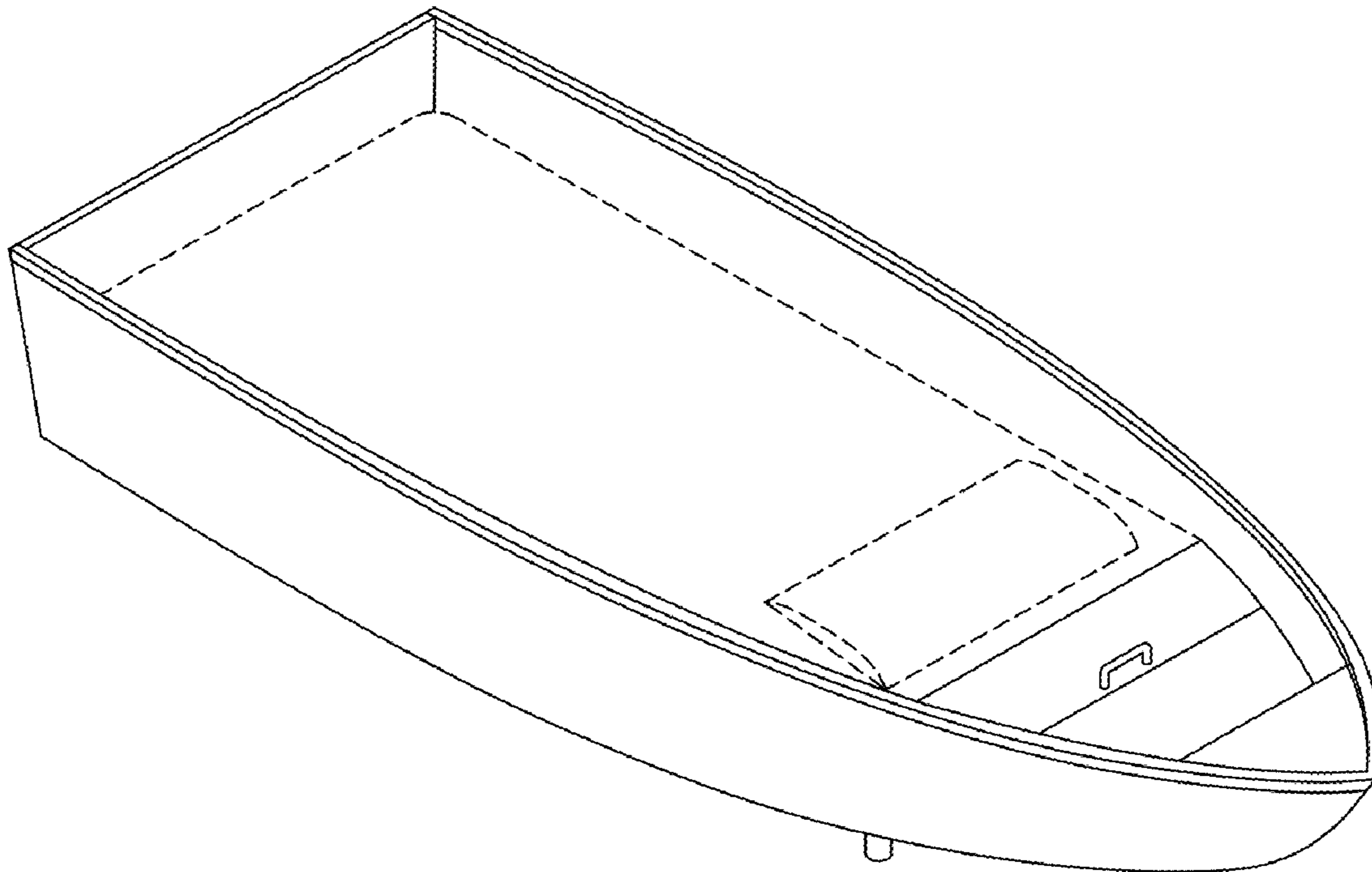
The ornamental design for a bed, as shown and described.

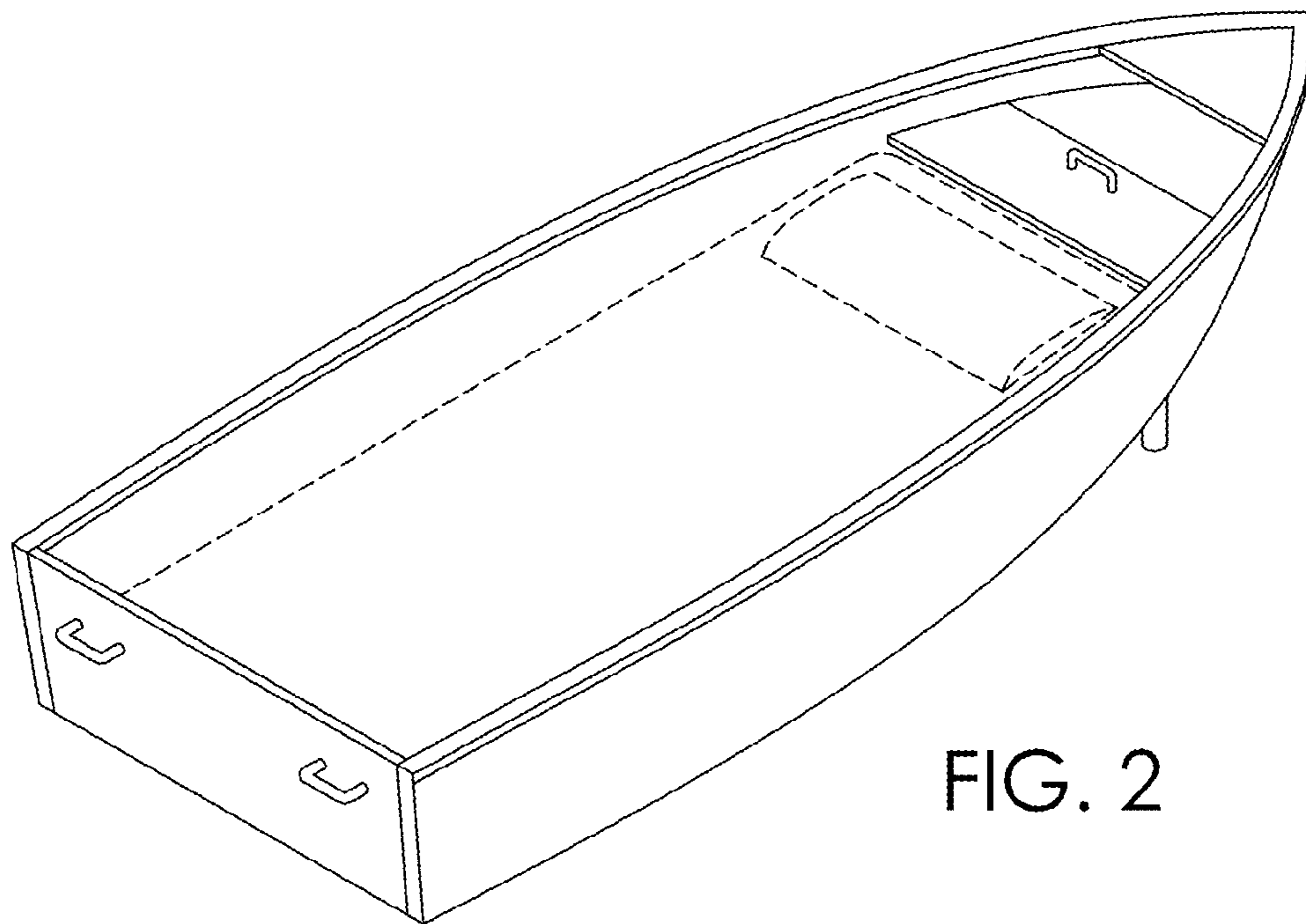
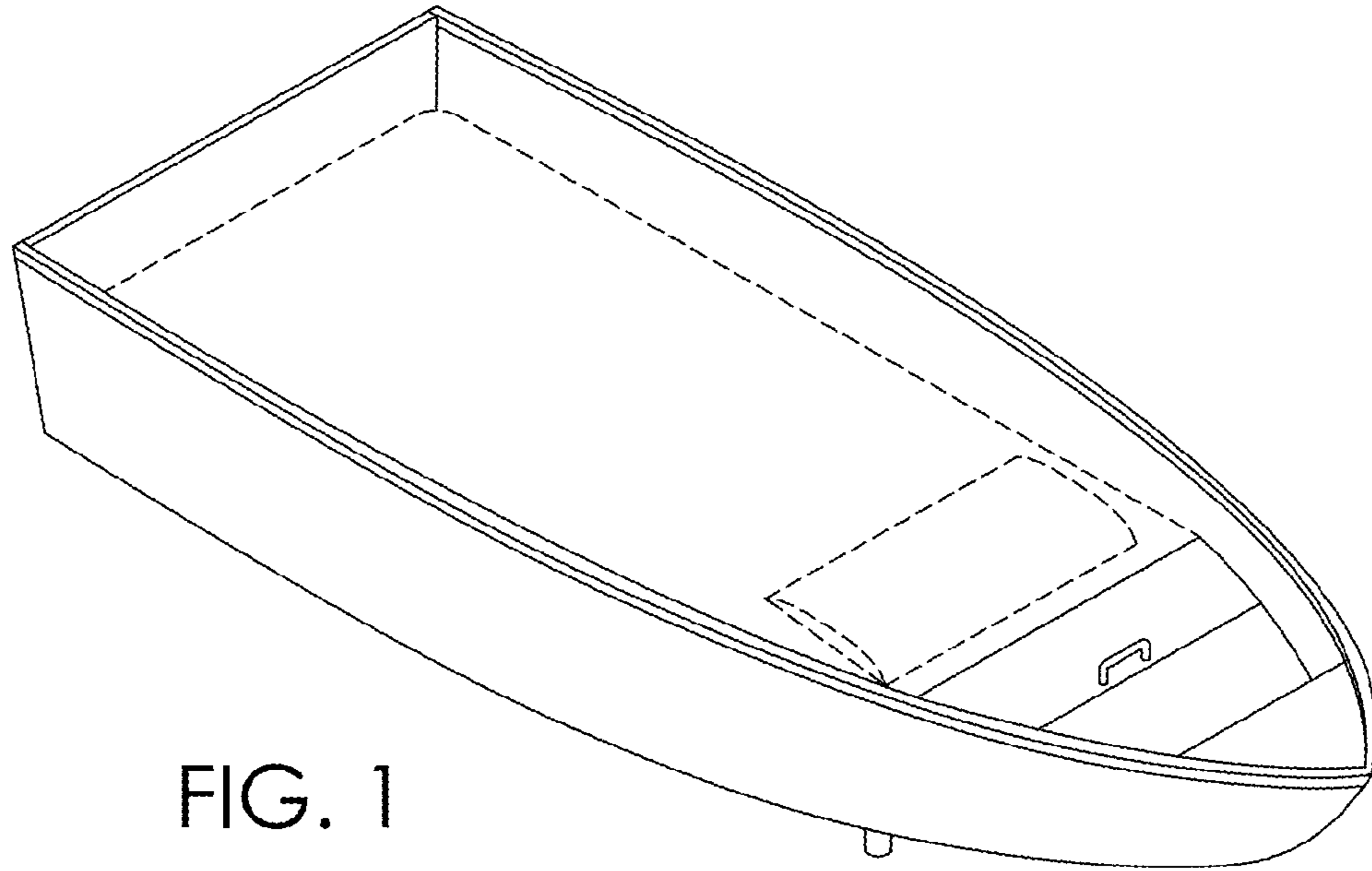
DESCRIPTION

FIG. 1 is a front perspective view,
FIG. 2 is a rear perspective view,
FIG. 3 is a side elevational view,
FIG. 4 is a front elevational view,
FIG. 5 is a rear elevational view,
FIG. 6 is a top plan view; and,
FIG. 7 is a bottom plan view.

The broken lines are for environmental purposes only and form no part of the claimed design.

1 Claim, 3 Drawing Sheets





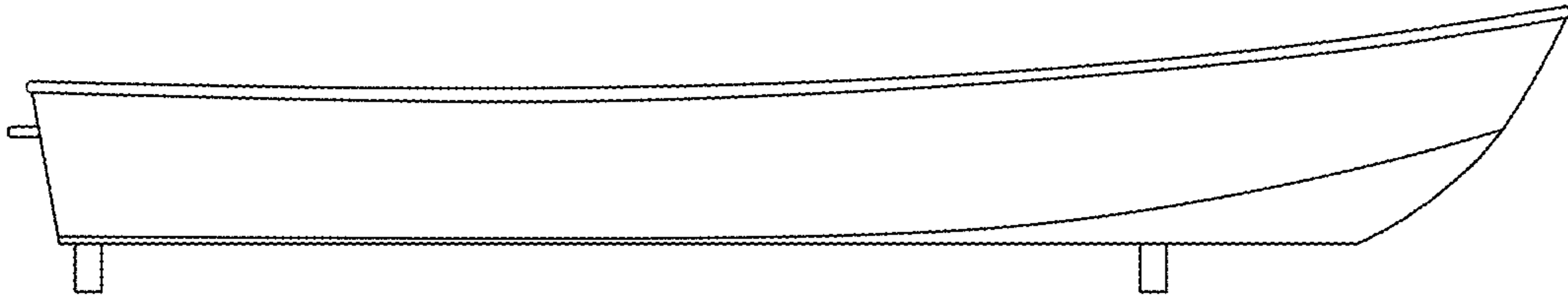


FIG. 3

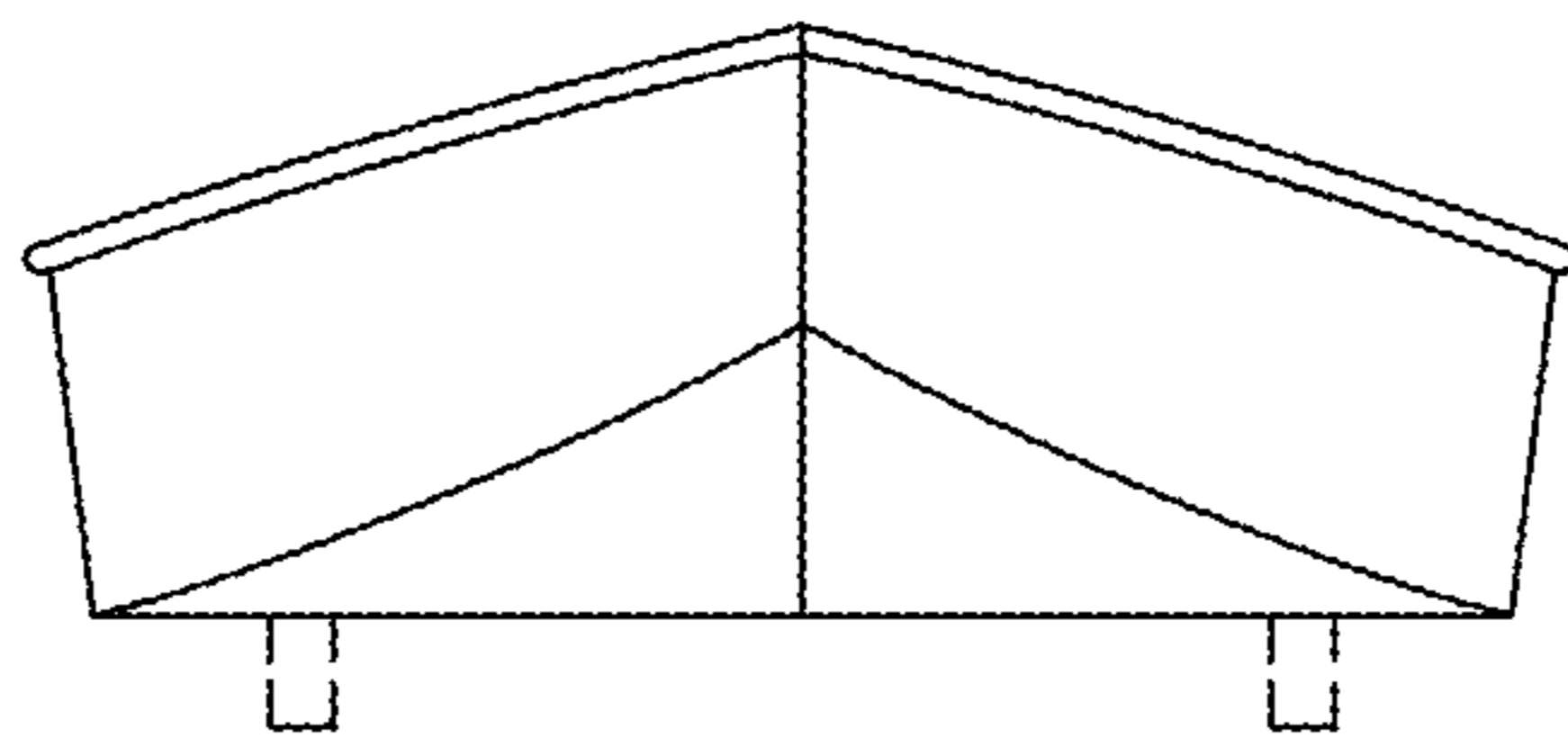


FIG. 4

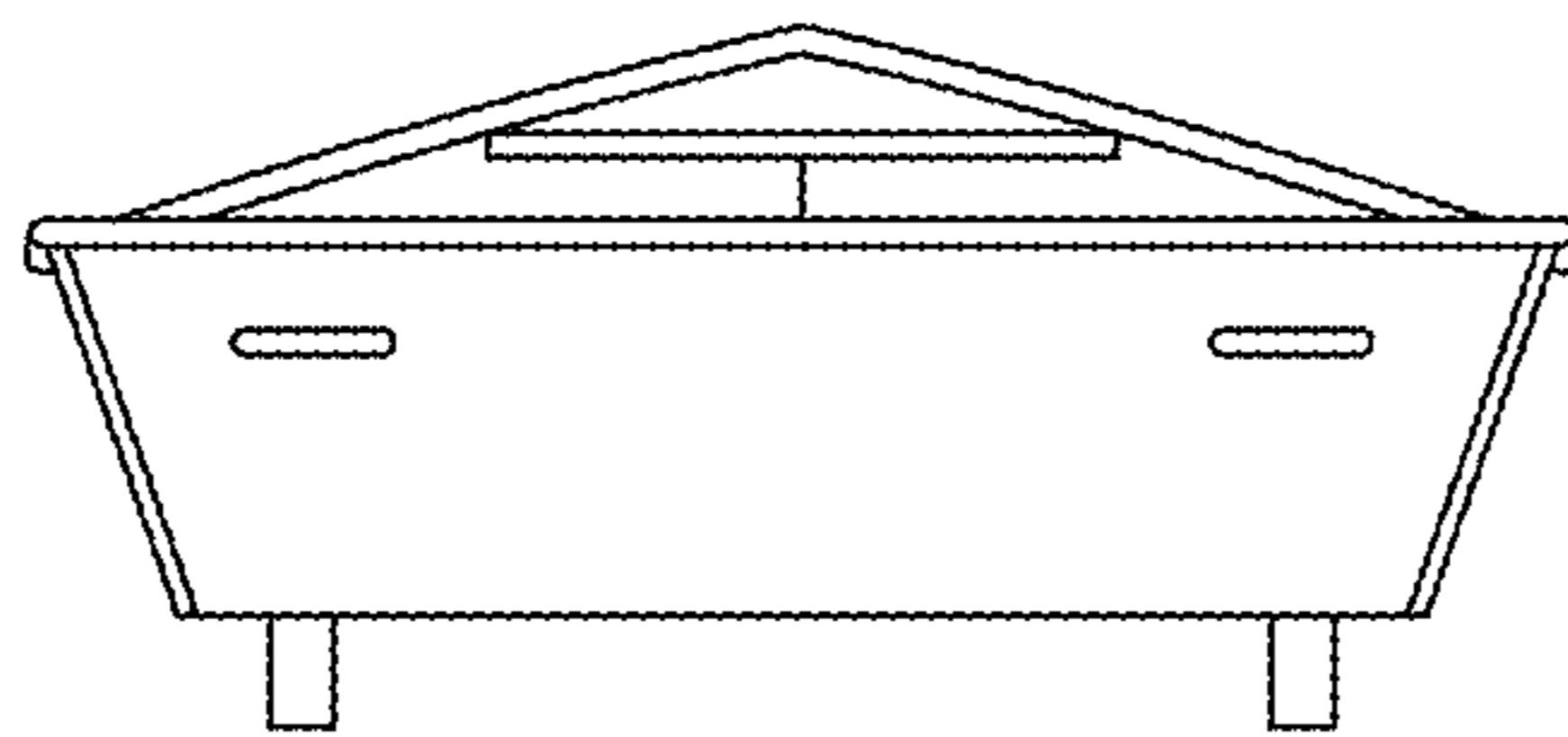


FIG. 5

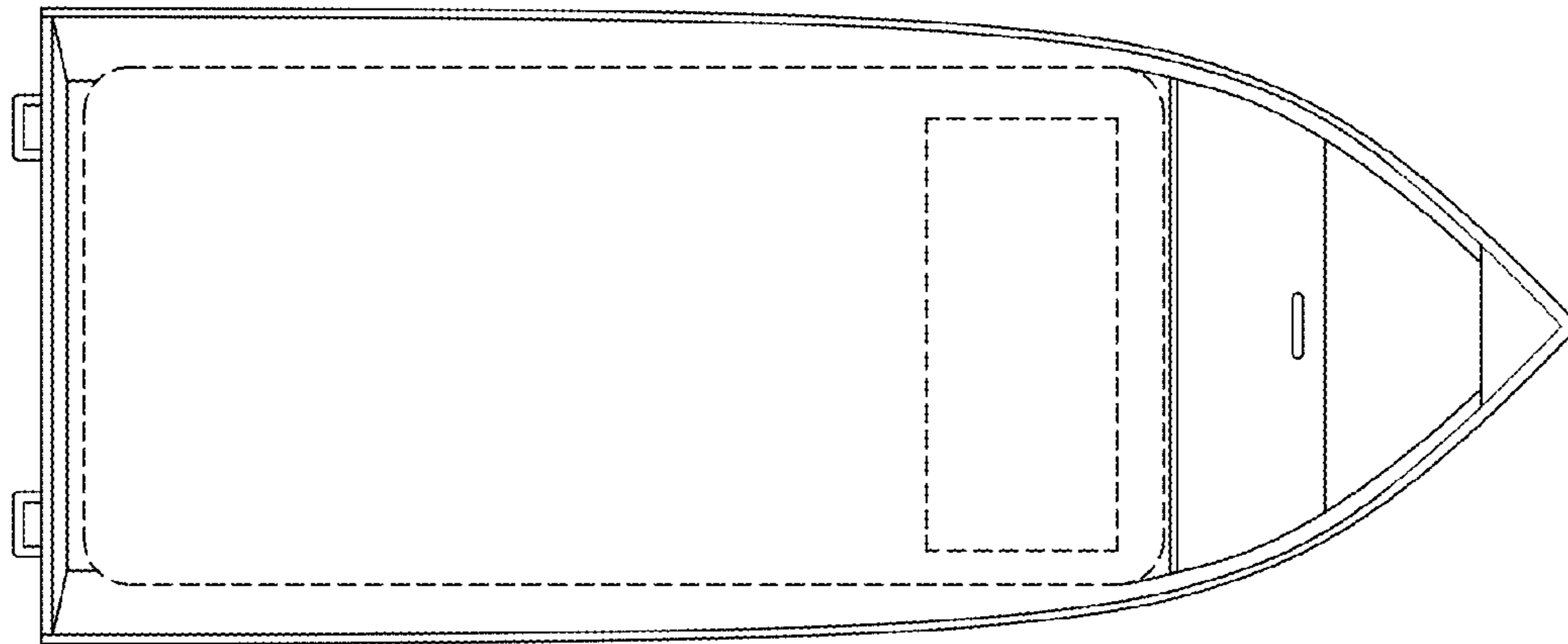


FIG. 6

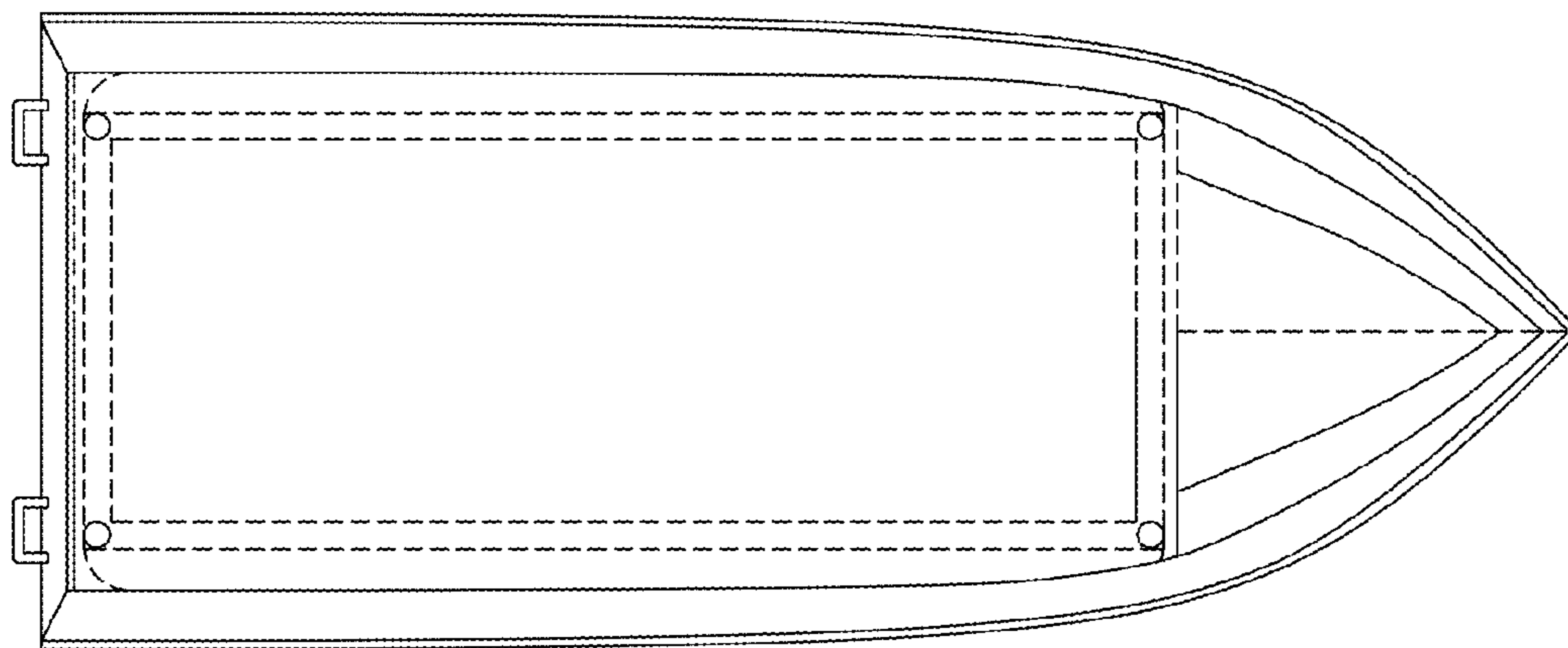


FIG. 7