



US00D684788S

(12) **United States Design Patent**
Diez

(10) **Patent No.:** **US D684,788 S**
(45) **Date of Patent:** **** Jun. 25, 2013**

(54) **CHAIR**

(75) Inventor: **Stefan Diez**, Munich (DE)

(73) Assignee: **e15 Design und Distributions GmbH**,
Oberursel (DE)

(**) Term: **14 Years**

(21) Appl. No.: **29/422,932**

(22) Filed: **May 25, 2012**

Related U.S. Application Data

(63) Continuation-in-part of application No. 29/311,565,
filed on Apr. 21, 2009, now Pat. No. Des. 665,198.

(30) **Foreign Application Priority Data**

Jan. 13, 2009 (DE) 40 2009 000 186

(51) **LOC (9) Cl.** **03-01**

(52) **U.S. Cl.**
USPC **D6/375**

(58) **Field of Classification Search**
USPC D6/334-335, 374-375, 382-383; 297/411.2,
297/445.1, 446.1-446.2, 447.1, 448.1;
108/91-92

See application file for complete search history.

(56) **References Cited**

U.S. PATENT DOCUMENTS

D140,583 S * 3/1945 Brunette D21/521
D357,594 S * 4/1995 Kellen D6/374

| | | | |
|--------------|---------|----------------------|--------|
| D546,087 S * | 7/2007 | Rashid | D6/375 |
| D555,379 S * | 11/2007 | Ziliani | D6/375 |
| D568,617 S * | 5/2008 | Jehs et al. | D6/366 |
| D569,647 S * | 5/2008 | Mezger | D6/380 |
| D585,656 S * | 2/2009 | Massaud | D6/366 |
| D600,949 S * | 9/2009 | Overthun et al. | D6/500 |
| D609,036 S * | 2/2010 | Miller et al. | D6/500 |
| D626,350 S * | 11/2010 | Chang | D6/369 |
| D645,271 S * | 9/2011 | Olano Jauregui | D6/375 |
| D647,336 S * | 10/2011 | Bao | D6/502 |
| D648,562 S * | 11/2011 | Lievore et al. | D6/375 |
| D648,580 S * | 11/2011 | Gasser | D6/500 |
| D653,061 S * | 1/2012 | Behar et al. | D6/500 |
| D655,099 S * | 3/2012 | Werner | D6/371 |
| D656,754 S * | 4/2012 | Starck | D6/375 |
| D656,755 S * | 4/2012 | Wanders | D6/375 |
| D660,028 S * | 5/2012 | Rode | D6/360 |
| D660,055 S * | 5/2012 | Kane | D6/500 |
| D661,119 S * | 6/2012 | Rode | D6/374 |
| D665,593 S * | 8/2012 | Morrison | D6/375 |

* cited by examiner

Primary Examiner — Kelley Donnelly

(74) *Attorney, Agent, or Firm* — Ladas & Parry LLP

(57) **CLAIM**

The ornamental design for a chair, as shown and described.

DESCRIPTION

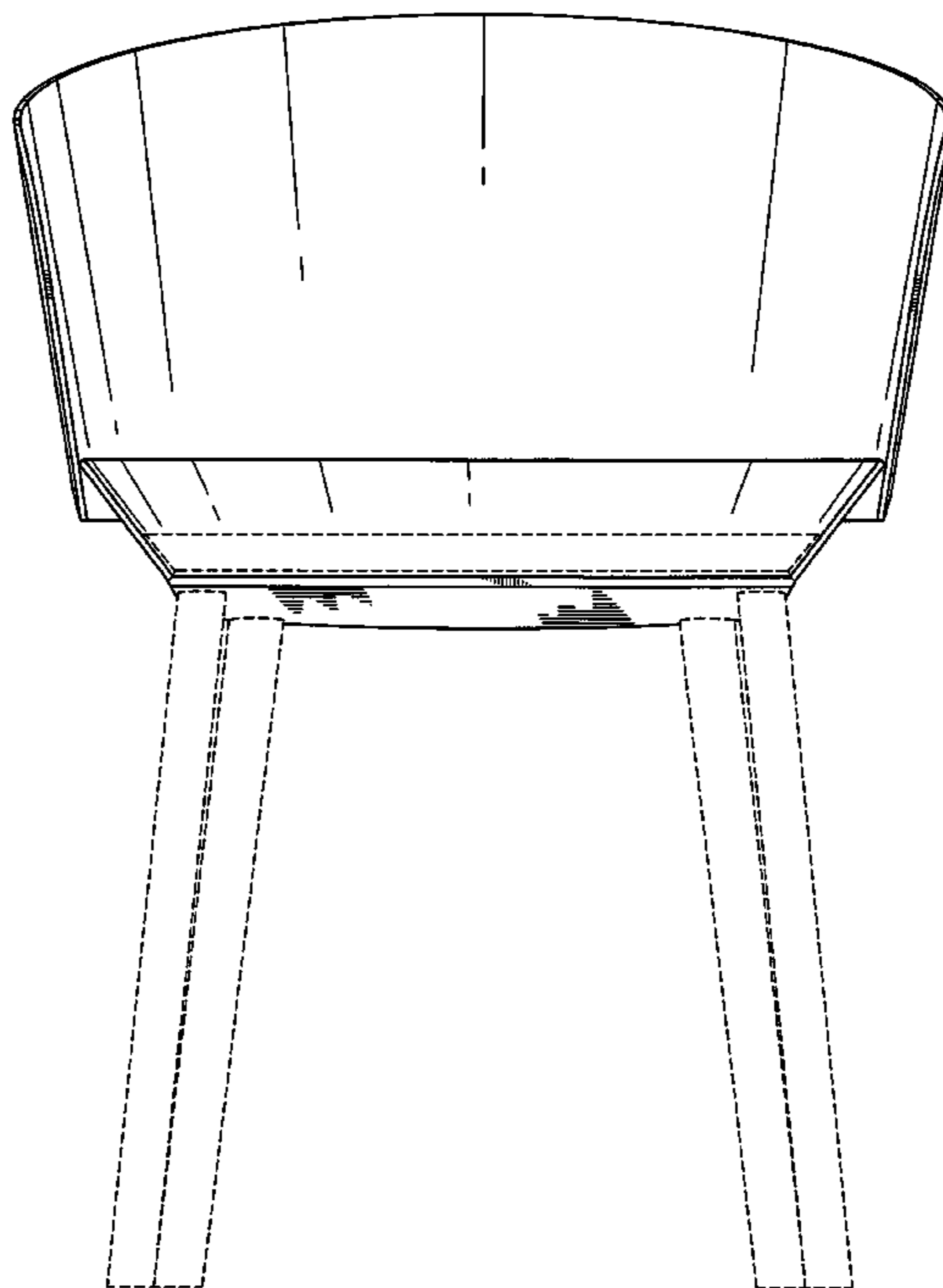
FIG. 1 is a front elevational view of the chair showing my new design;

FIG. 2 is a top plan view thereof; and,

FIG. 3 is a right side elevational view thereof.

The broken lines shown in the drawings form no part of the claimed design.

1 Claim, 3 Drawing Sheets



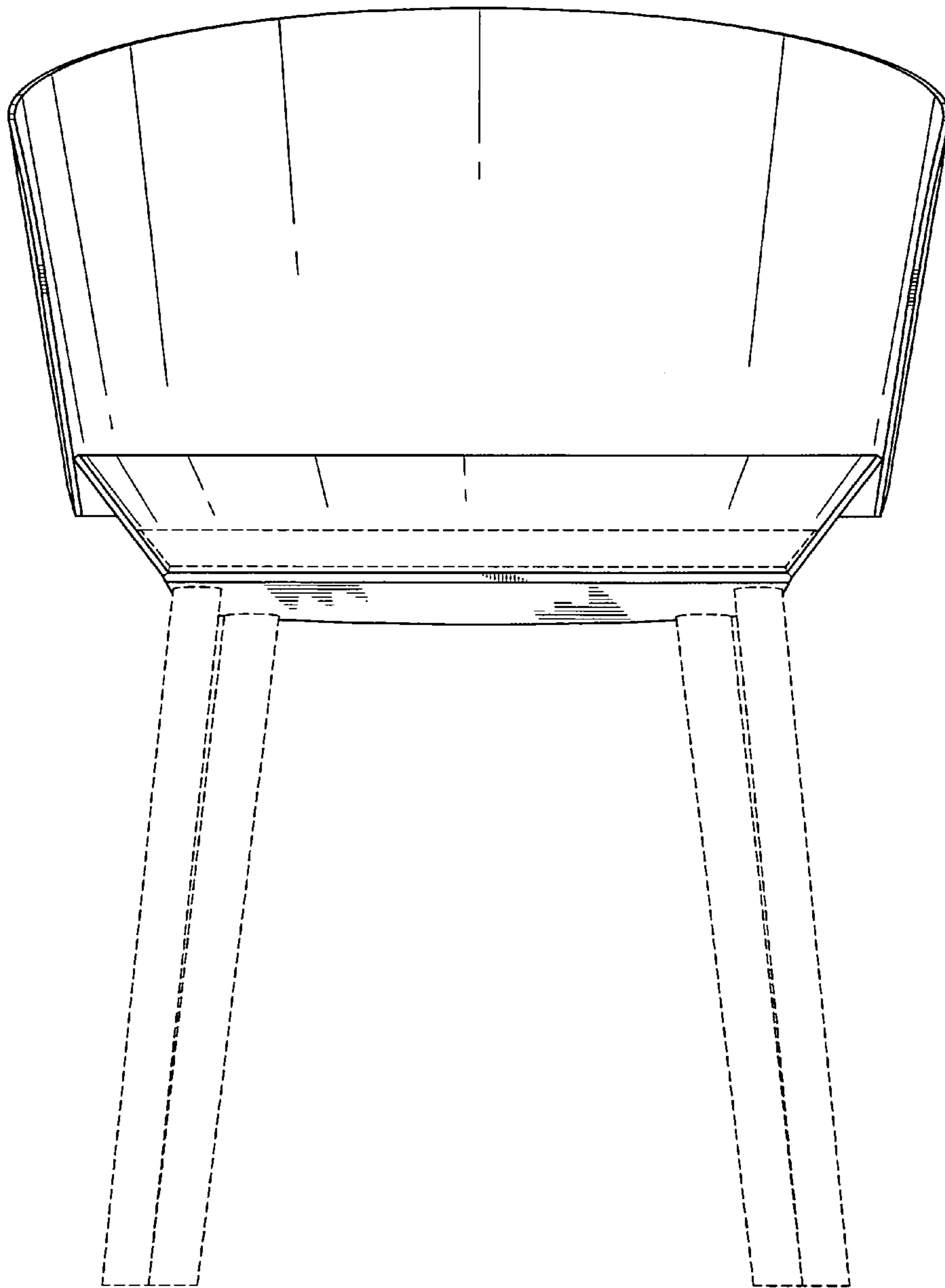


FIG. 1

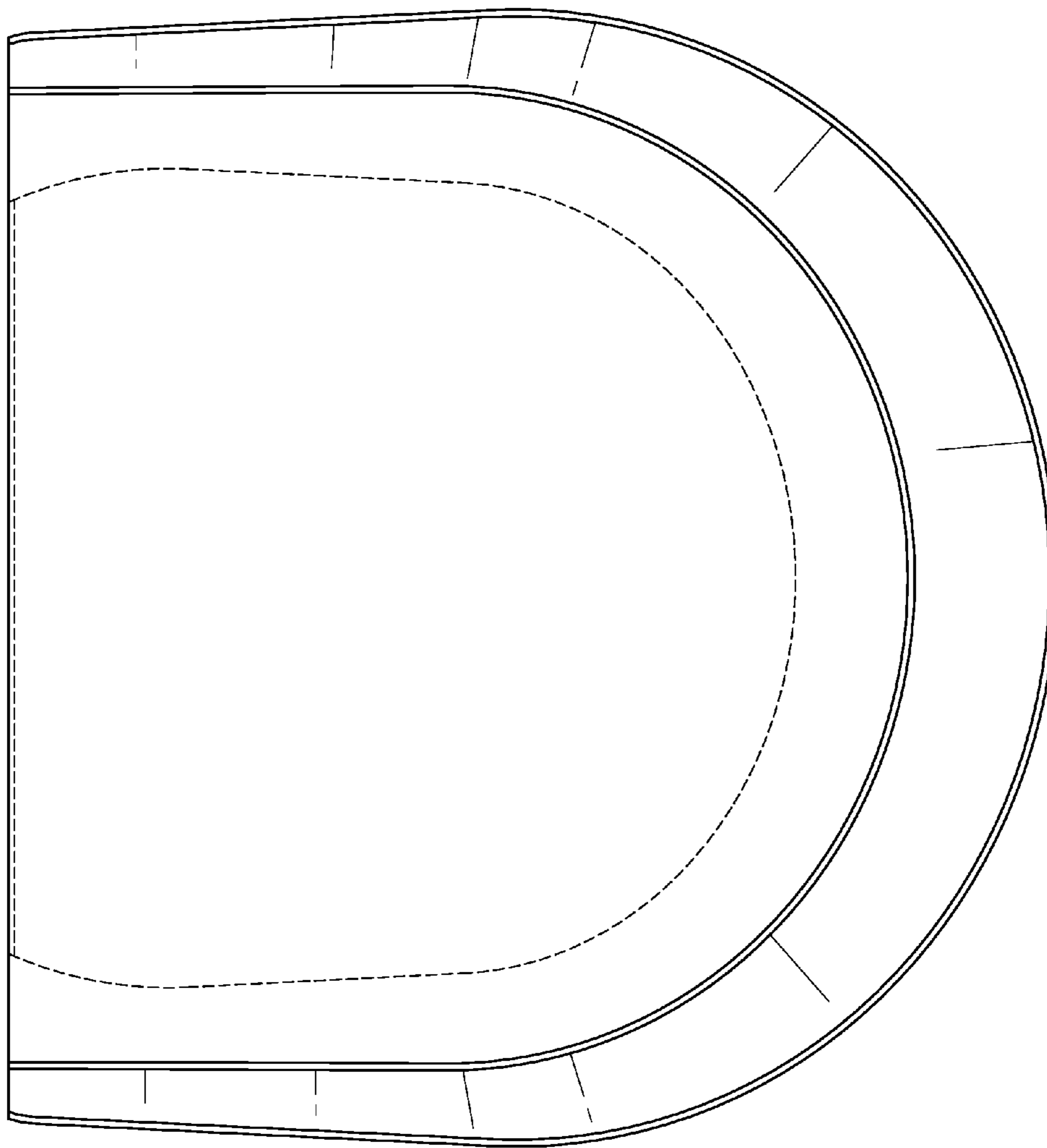


FIG. 2

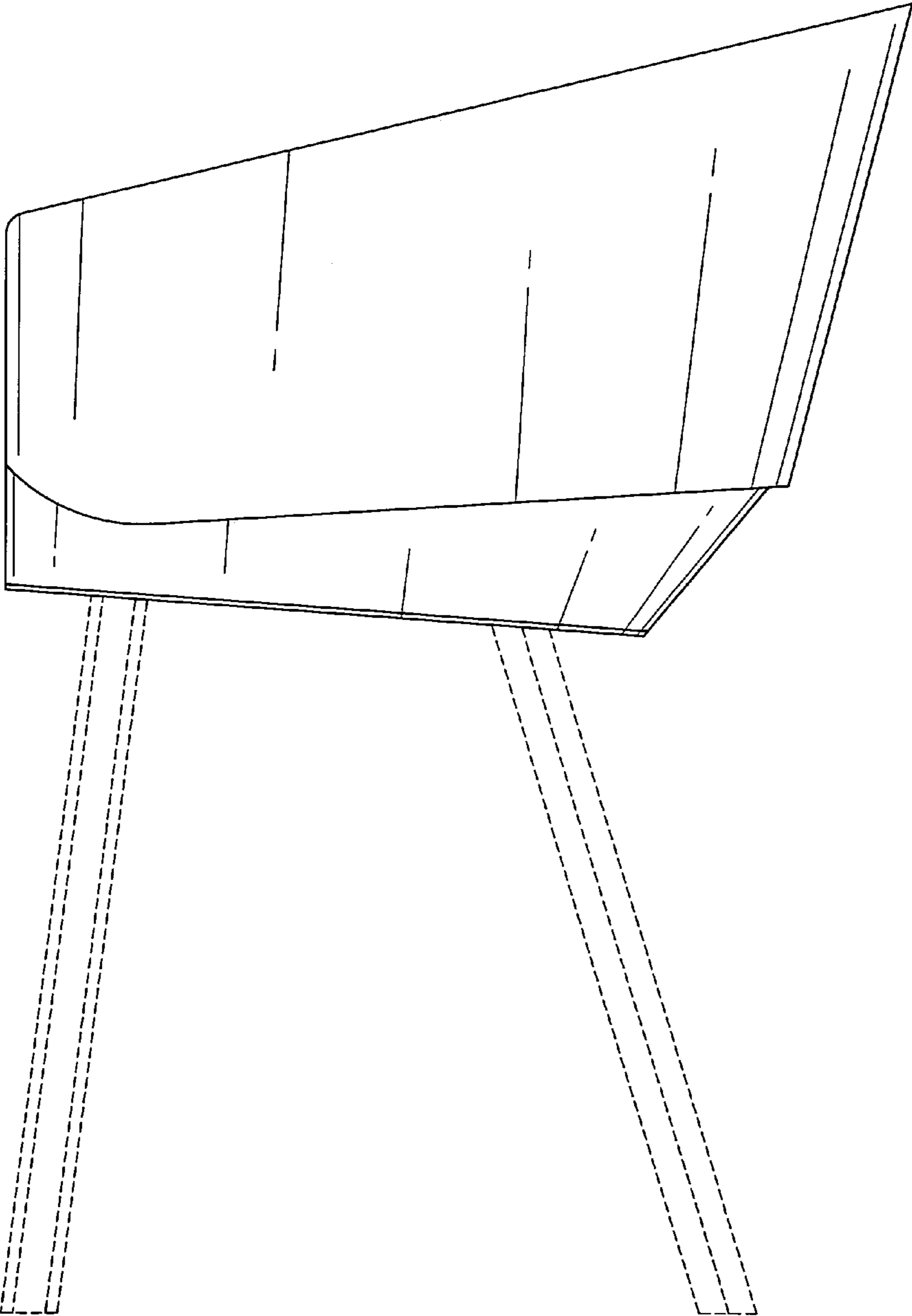


FIG. 3