



US00D684779S

(12) **United States Design Patent**  
**Scott**

(10) **Patent No.:** **US D684,779 S**  
(45) **Date of Patent:** **\*\* Jun. 25, 2013**

- (54) **GAMING CABINET**
- (75) Inventor: **Deana Scott**, North Bend, OR (US)
- (73) Assignee: **Tod Gaming LLC**, North Bend, OR (US)
- (\*\*) Term: **14 Years**
- (21) Appl. No.: **29/394,246**
- (22) Filed: **Jun. 15, 2011**
- (51) **LOC (9) Cl.** ..... **06-01**
- (52) **U.S. Cl.**  
USPC ..... **D6/336**
- (58) **Field of Classification Search**  
USPC ..... D6/335, 336, 337, 338, 339, 361,  
D6/367, 374, 375; 291/445.1, 446.1, 446.2;  
5/12.1, 12.2  
See application file for complete search history.

- D250,230 S \* 11/1978 Kotula ..... D6/341
- D260,823 S \* 9/1981 Stulik, Jr. .... D6/335
- D266,119 S \* 9/1982 Larsen ..... D6/335
- 6,102,476 A \* 8/2000 May et al. .... 297/217.3
- D467,086 S \* 12/2002 Steelman ..... D6/335
- D535,848 S \* 1/2007 Jeon ..... D7/351

\* cited by examiner

*Primary Examiner* — Sandra Snapp  
(74) *Attorney, Agent, or Firm* — Marger Johnson & McCollom, P.C.

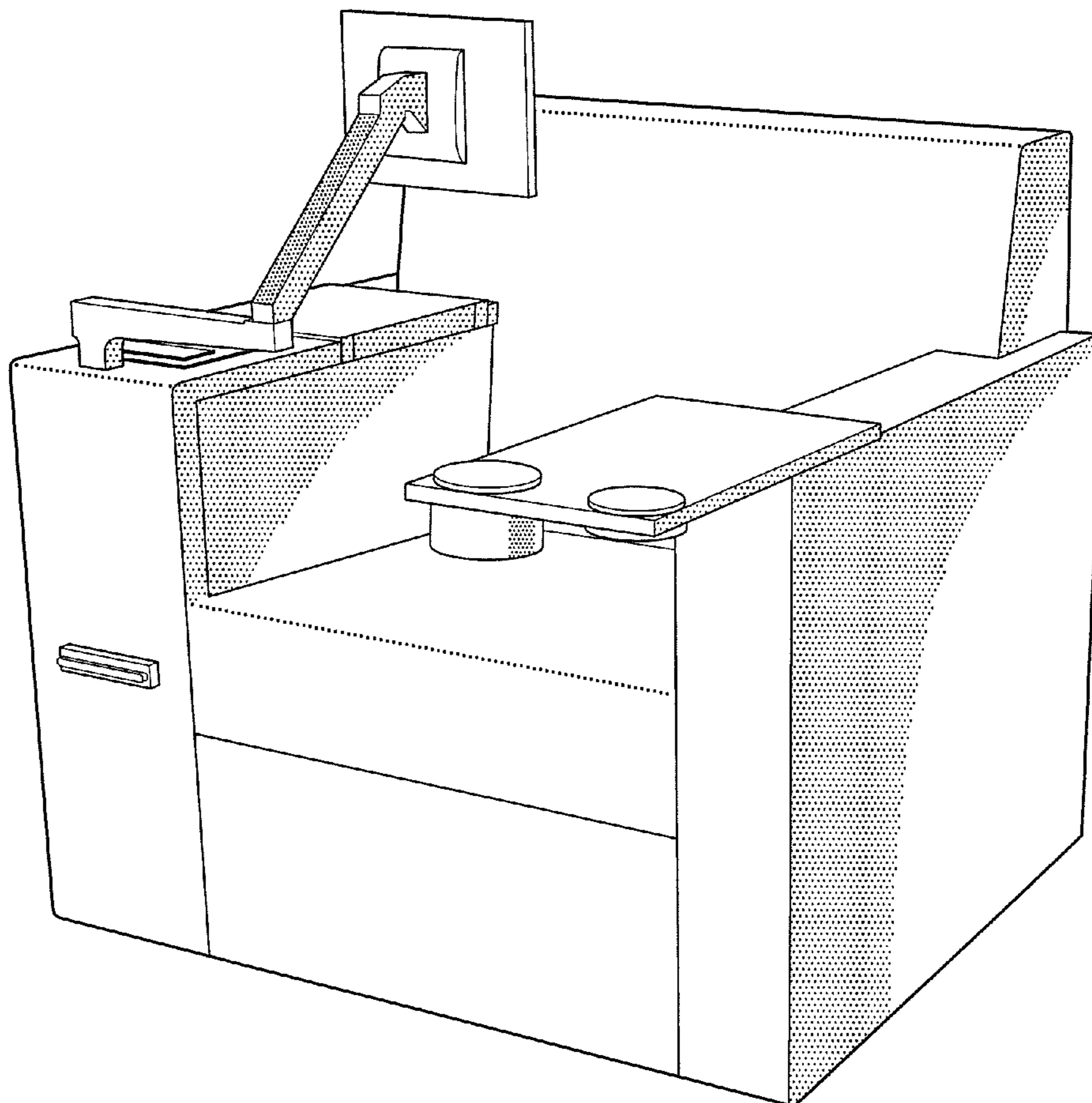
(57) **CLAIM**  
The ornamental design for a gaming cabinet, as shown and described.

**DESCRIPTION**

FIG. 1 is a perspective view showing the front and right sides of my new design of a gaming cabinet; and, FIG. 2 is a perspective view showing the left side of said gaming cabinet. The back side of the design is flat and unornamented; and The bottom side of the design is flat and unornamented.

**1 Claim, 2 Drawing Sheets**

- (56) **References Cited**  
U.S. PATENT DOCUMENTS  
D215,971 S \* 11/1969 Hale ..... D12/325  
D236,566 S \* 9/1975 Parchan ..... D6/335



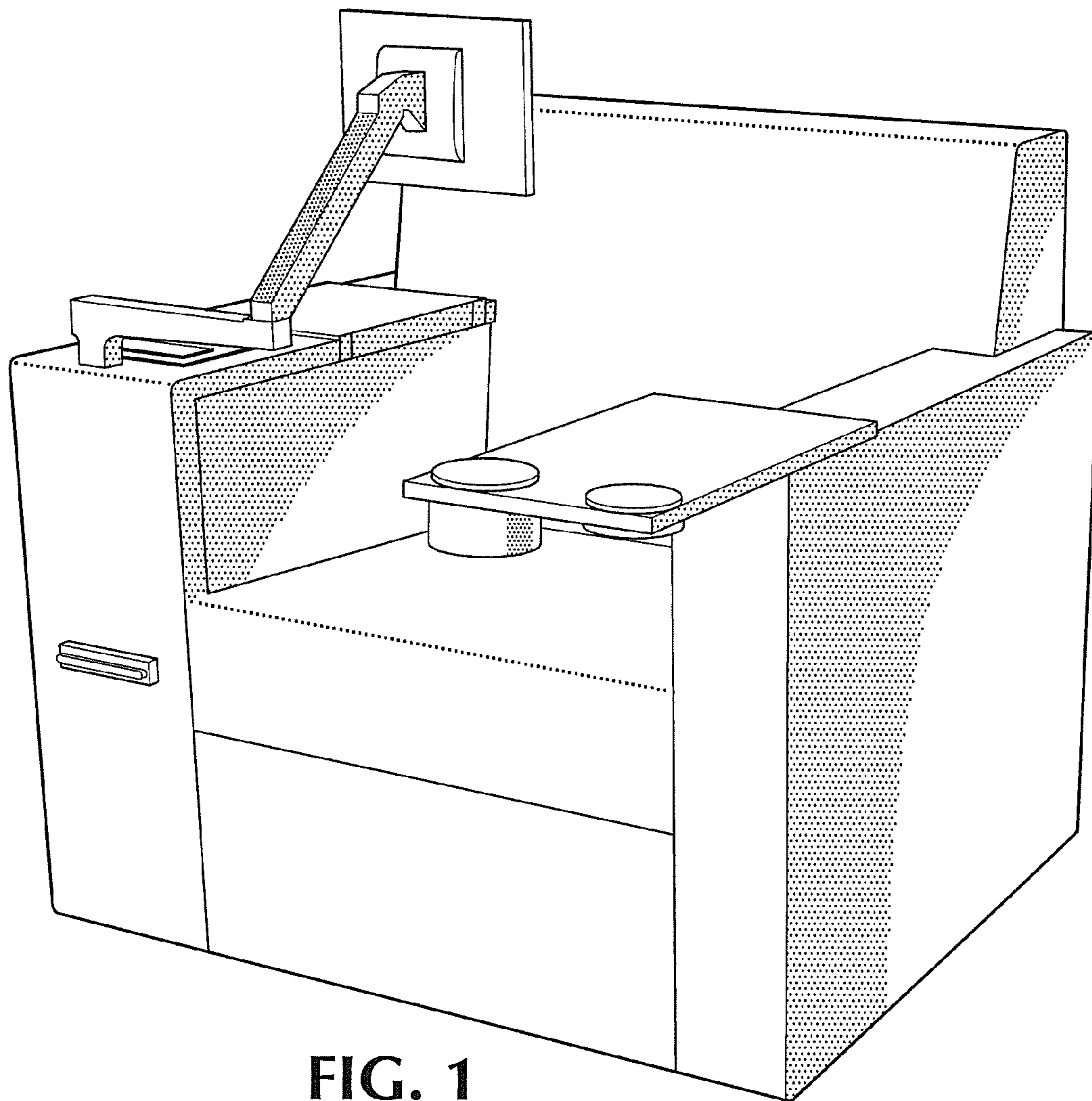


FIG. 1

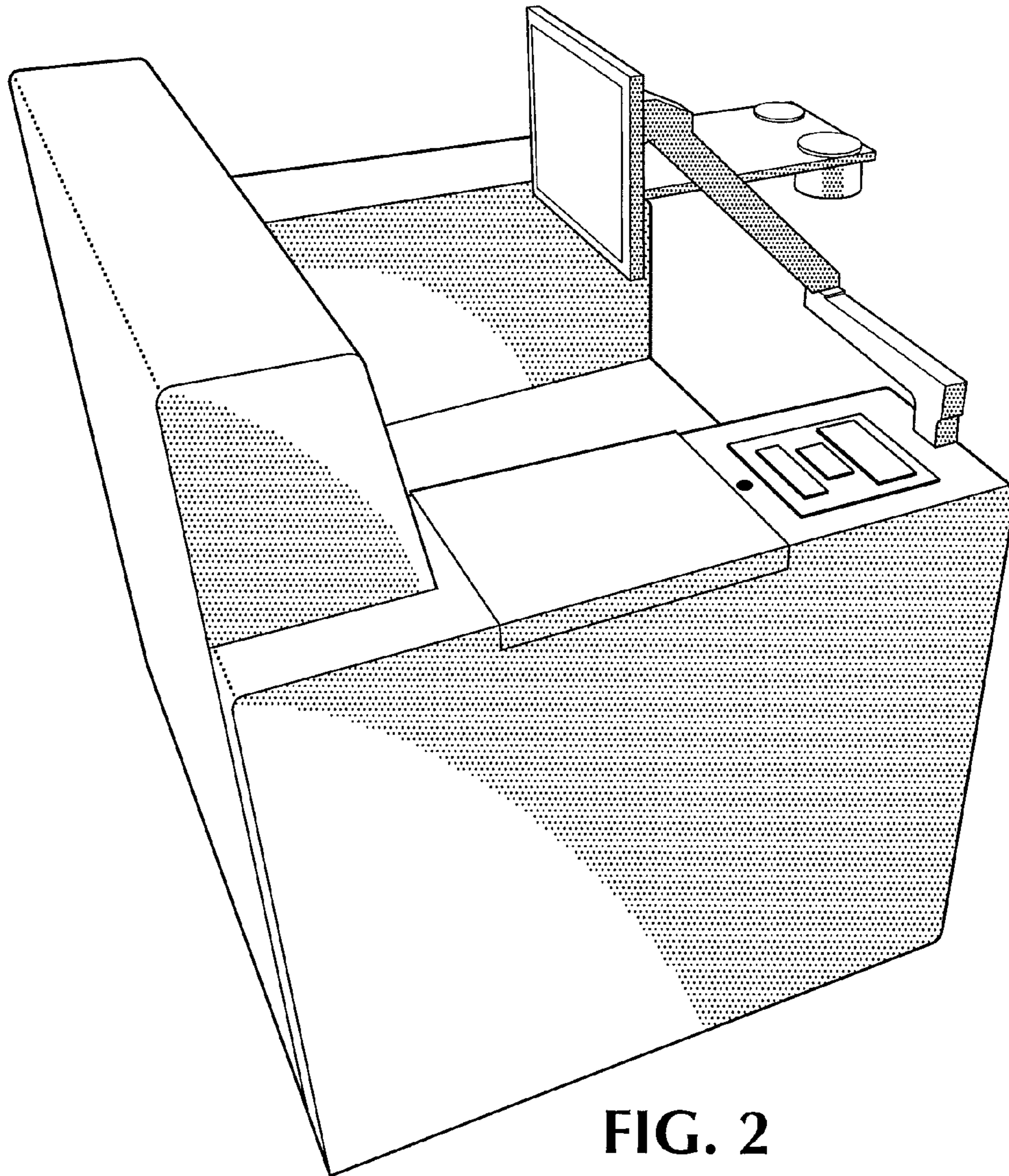


FIG. 2