



US00D684774S

(12) **United States Design Patent**  
**Levin**

(10) **Patent No.:** **US D684,774 S**  
(45) **Date of Patent:** **\*\* Jun. 25, 2013**

(54) **HOLDER FOR ACCESSORIES**

(76) Inventor: **Keziah Levin**, London (GB)

(\*\*) Term: **14 Years**

(21) Appl. No.: **29/403,225**

(22) Filed: **Oct. 3, 2011**

(51) **LOC (9) Cl.** ..... **03-01**

(52) **U.S. Cl.**  
USPC ..... **D3/328**

(58) **Field of Classification Search**  
USPC ..... D3/318, 328  
See application file for complete search history.

(56) **References Cited**

**U.S. PATENT DOCUMENTS**

D458,092 S \* 6/2002 Rumpf ..... D7/707

D494,399 S \* 8/2004 Rodriguez ..... D6/567

\* cited by examiner

*Primary Examiner* — Holly Baynham  
(74) *Attorney, Agent, or Firm* — Sughrue Mion, PLLC

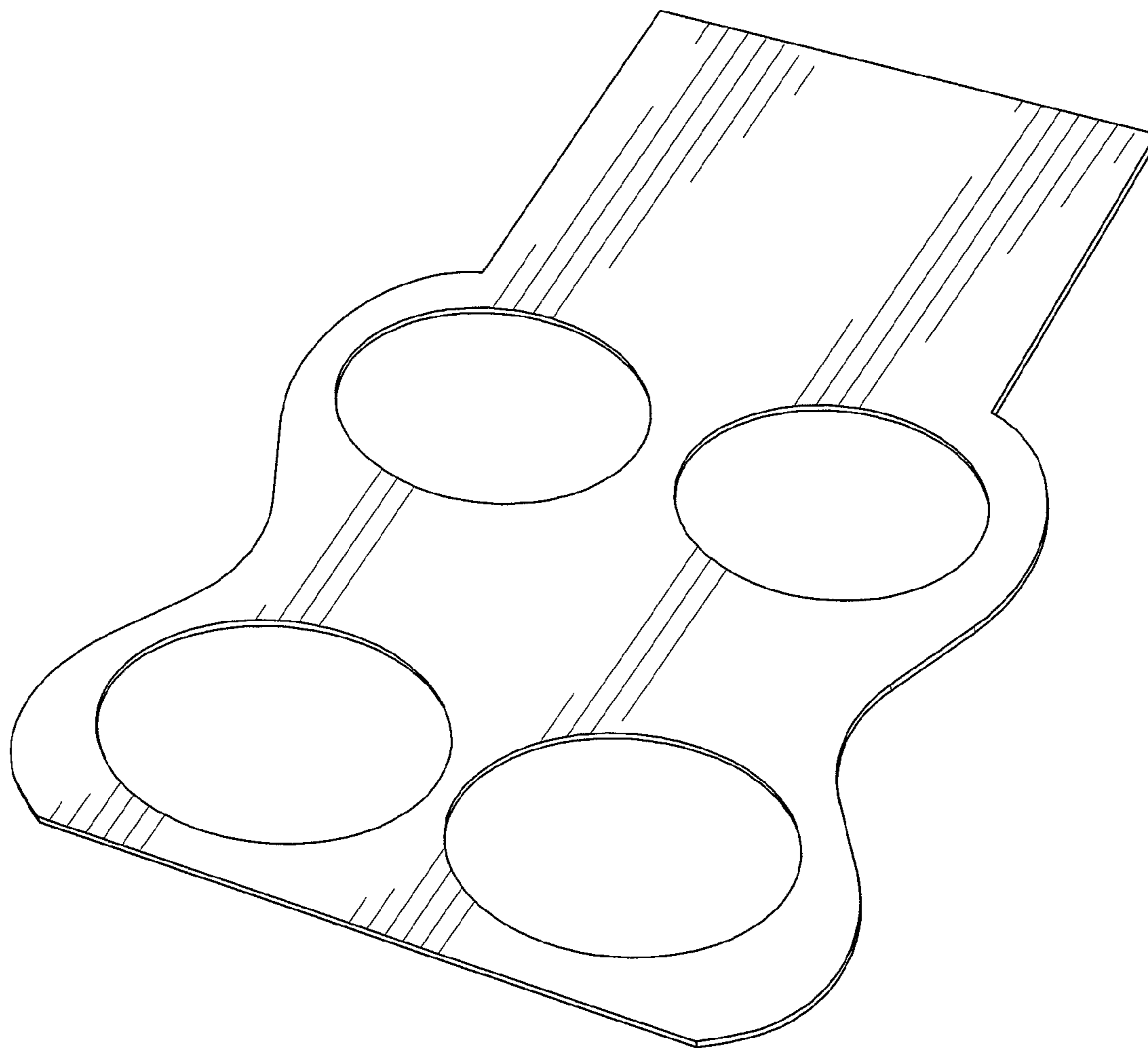
(57) **CLAIM**

The ornamental design for holders for accessories, as shown and described.

**DESCRIPTION**

FIG. 1 is a perspective view of a holder for accessories showing my new design;  
FIG. 2 is a front view thereof;  
FIG. 3 is a side view thereof;  
FIG. 4 is a top view thereof; and,  
FIG. 5 is a rear view thereof.

**1 Claim, 4 Drawing Sheets**



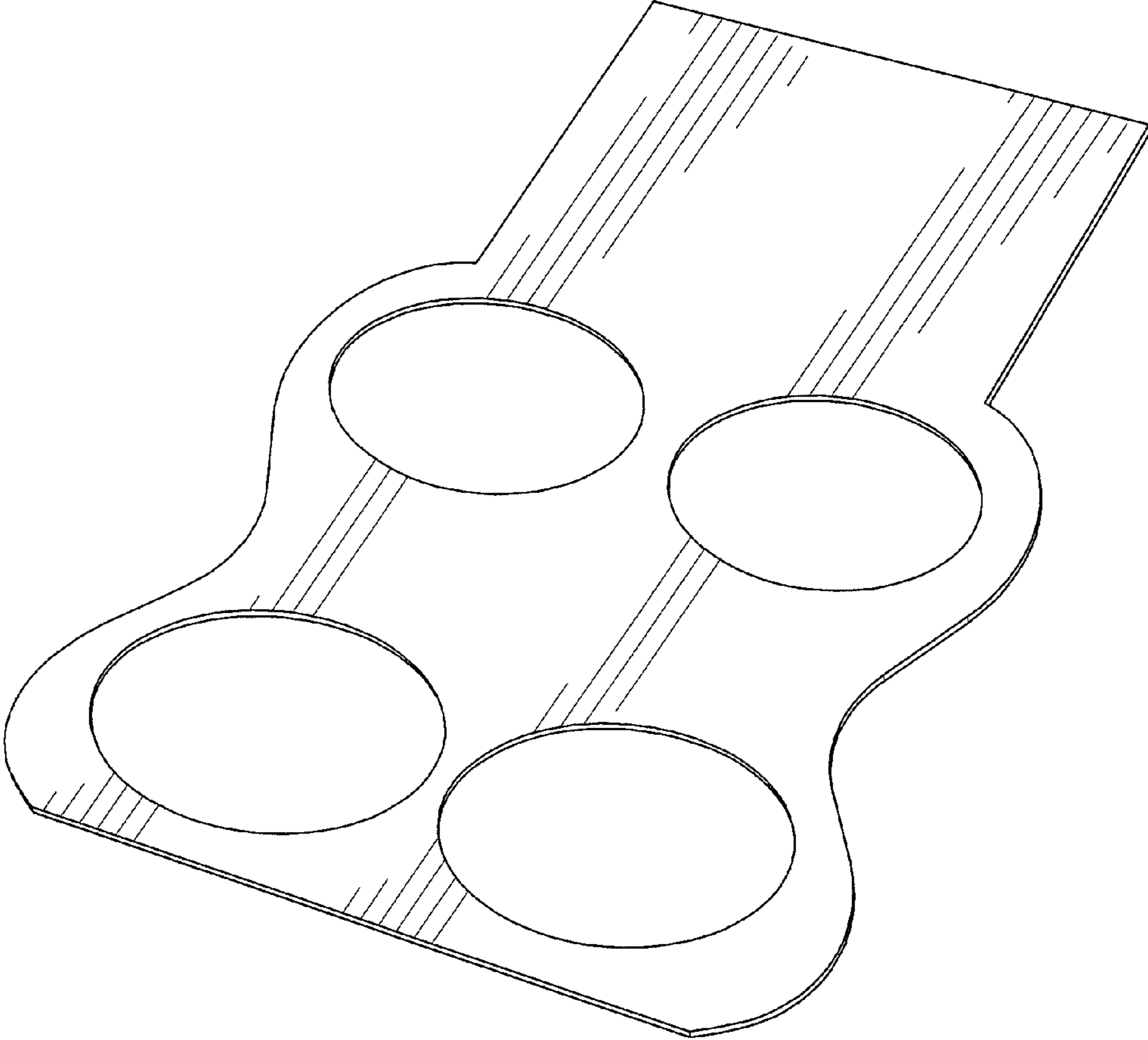
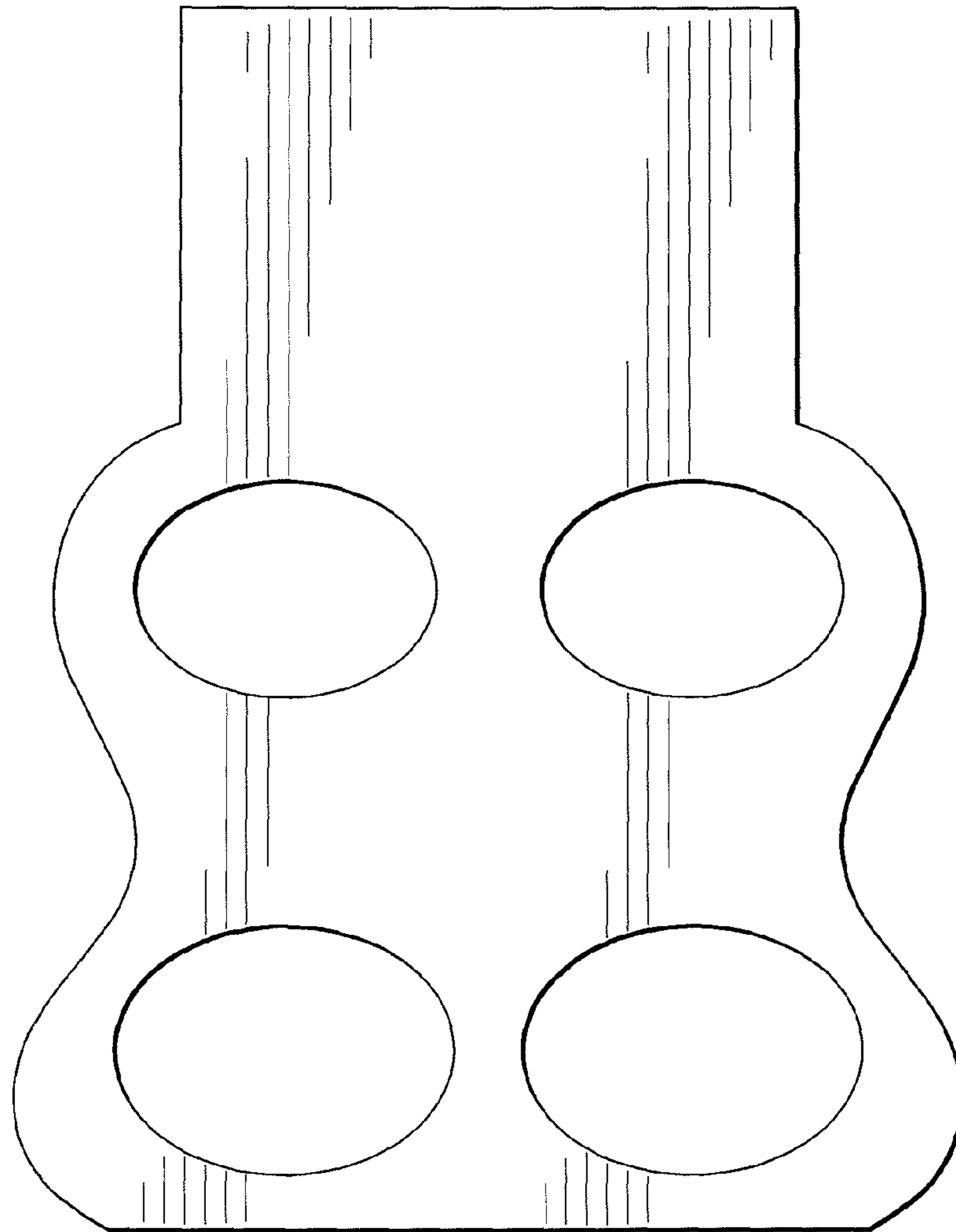


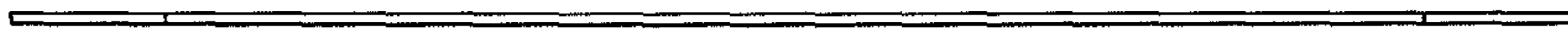
FIG. 1



*FIG. 2*



*FIG. 3*



*FIG. 4*



*FIG. 5*