



US00D684769S

(12) **United States Design Patent**
Fatscher

(10) **Patent No.:** **US D684,769 S**
(45) **Date of Patent:** **** Jun. 25, 2013**

(54) **CEMENT FINISHING TOOL COVER**

(74) *Attorney, Agent, or Firm* — Sorell, Lenna & Schmidt, LLP

(76) Inventor: **Edward Fatscher**, East Northport, NY (US)

(**) Term: **14 Years**

(57) **CLAIM**
I claim the ornamental design for a cement finishing tool cover, as shown and described.

(21) Appl. No.: **29/374,262**

(22) Filed: **Jul. 20, 2011**

DESCRIPTION

(51) **LOC (9) Cl.** **03-01**

This application is a design application and claims benefit to non-provisional application entitled Cement Finishing Tool Cover filed concurrently herewith having U.S. Ser. No. 13/135,993.

(52) **U.S. Cl.**

USPC **D3/273**; D3/328; D3/905; D8/71

(58) **Field of Classification Search**

USPC D3/328, 273, 905; D8/71, 45; 206/349; 404/97, 118; 15/247, 235.8

See application file for complete search history.

FIG. 1 is a top plan view of the new design of the cement finishing tool cover of the present invention; FIG. 2 is a bottom perspective view thereof; FIG. 3 is a front elevational view thereof; FIG. 4 is a rear perspective view thereof; FIG. 5 is a right side perspective view thereof, the left side view being a mirror image; and, FIG. 6 is a cross-sectional view thereof, taken along line 6-6 in FIG. 5.

(56) **References Cited**

U.S. PATENT DOCUMENTS

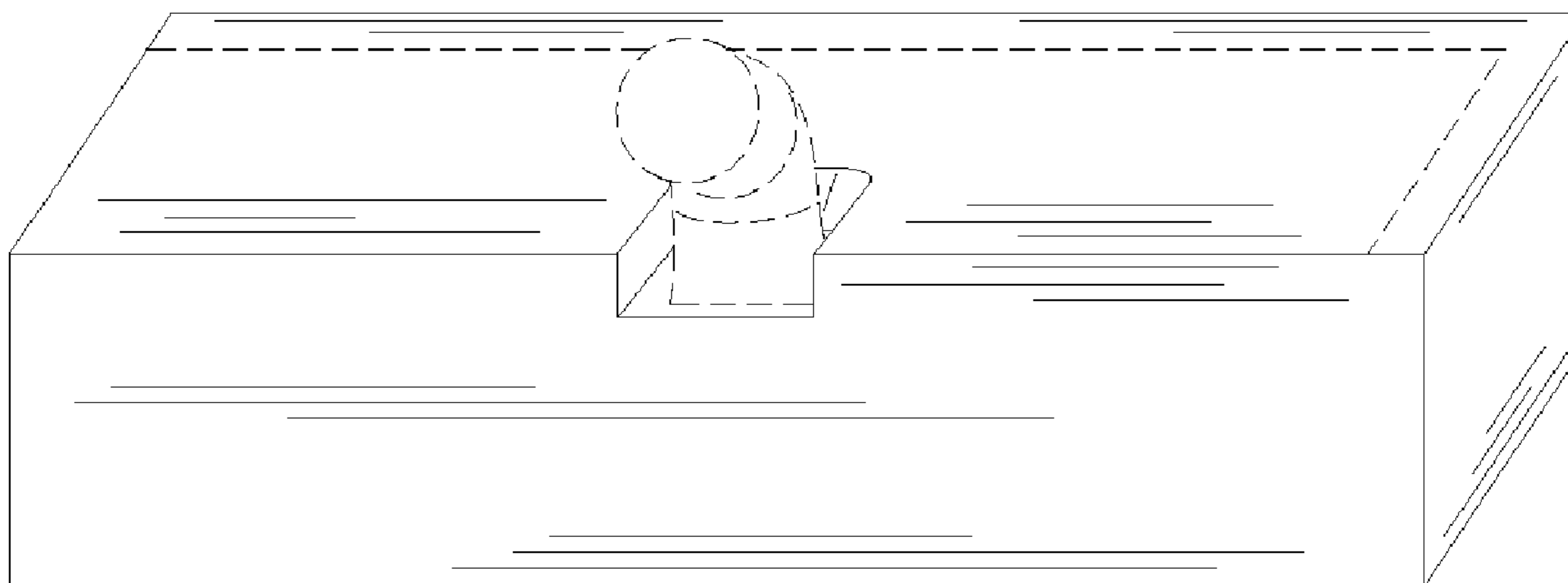
5,115,536	A *	5/1992	Jarvis	15/235.8
5,687,448	A *	11/1997	Dye, Jr.	15/235.8
6,550,214	B2 *	4/2003	Aguilera	52/749.13
7,673,365	B1 *	3/2010	Griffin, Sr.	15/235.8
2003/0031510	A1 *	2/2003	Suriano	404/118
2012/0018328	A1 *	1/2012	Fatscher	206/349

The broken line disclosure of the cement finishing tool illustrates the environment of the design, while the remaining broken lines illustrate portions of the cement finishing tool cover. None of the broken lines forms part of the claimed design.

* cited by examiner

Primary Examiner — Jennifer Rivard

1 Claim, 5 Drawing Sheets



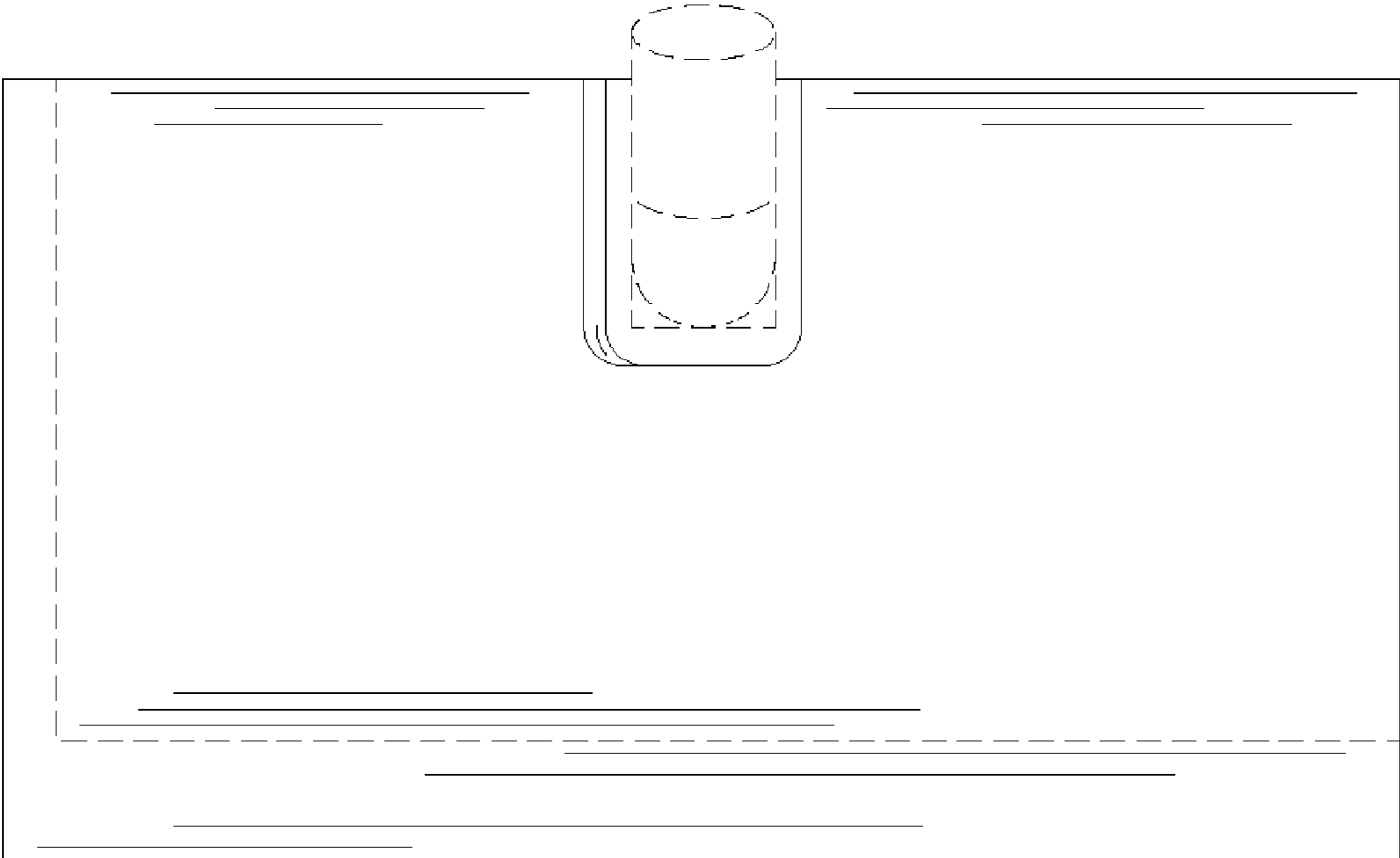


FIG. 1

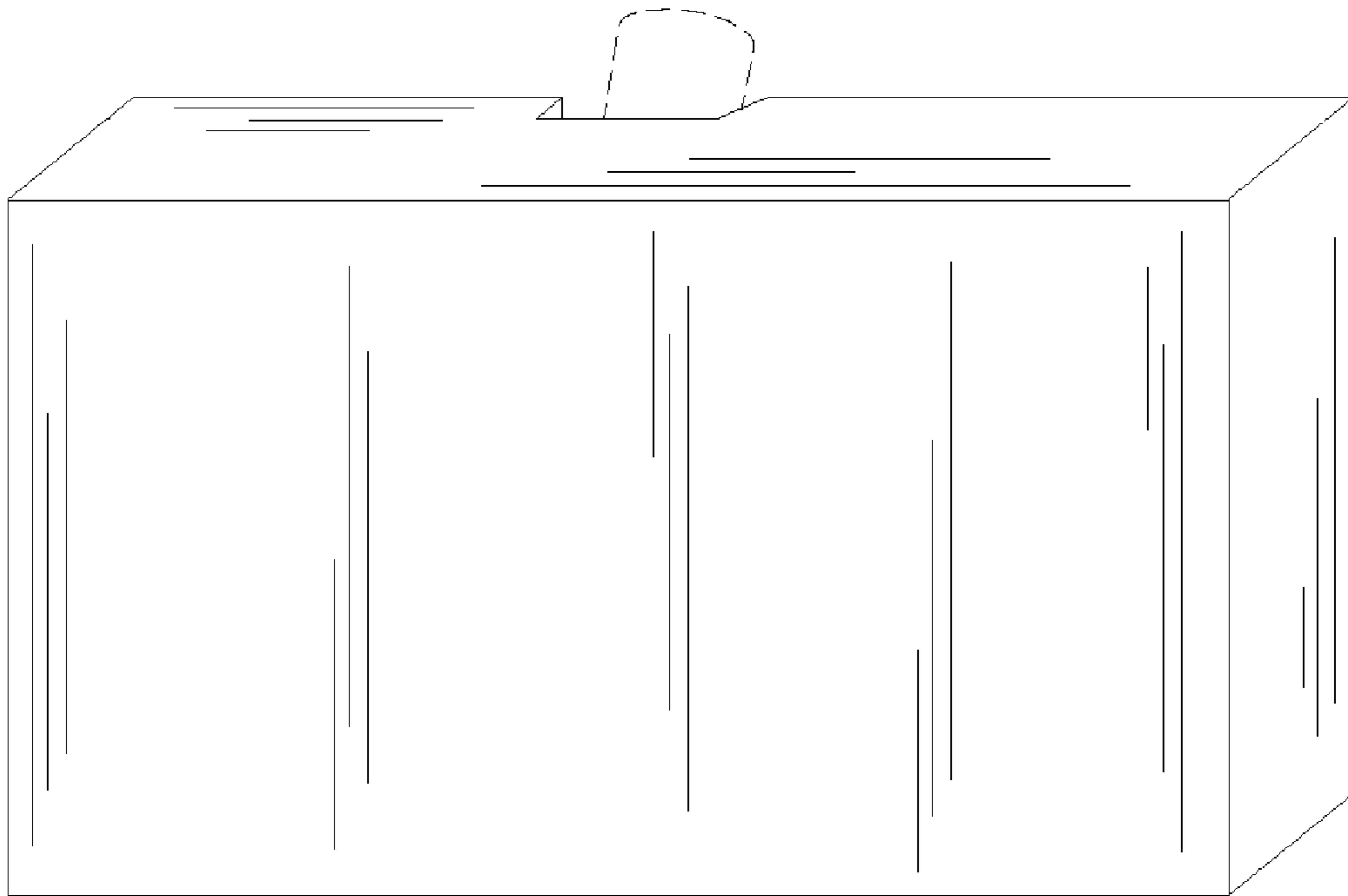


FIG. 2

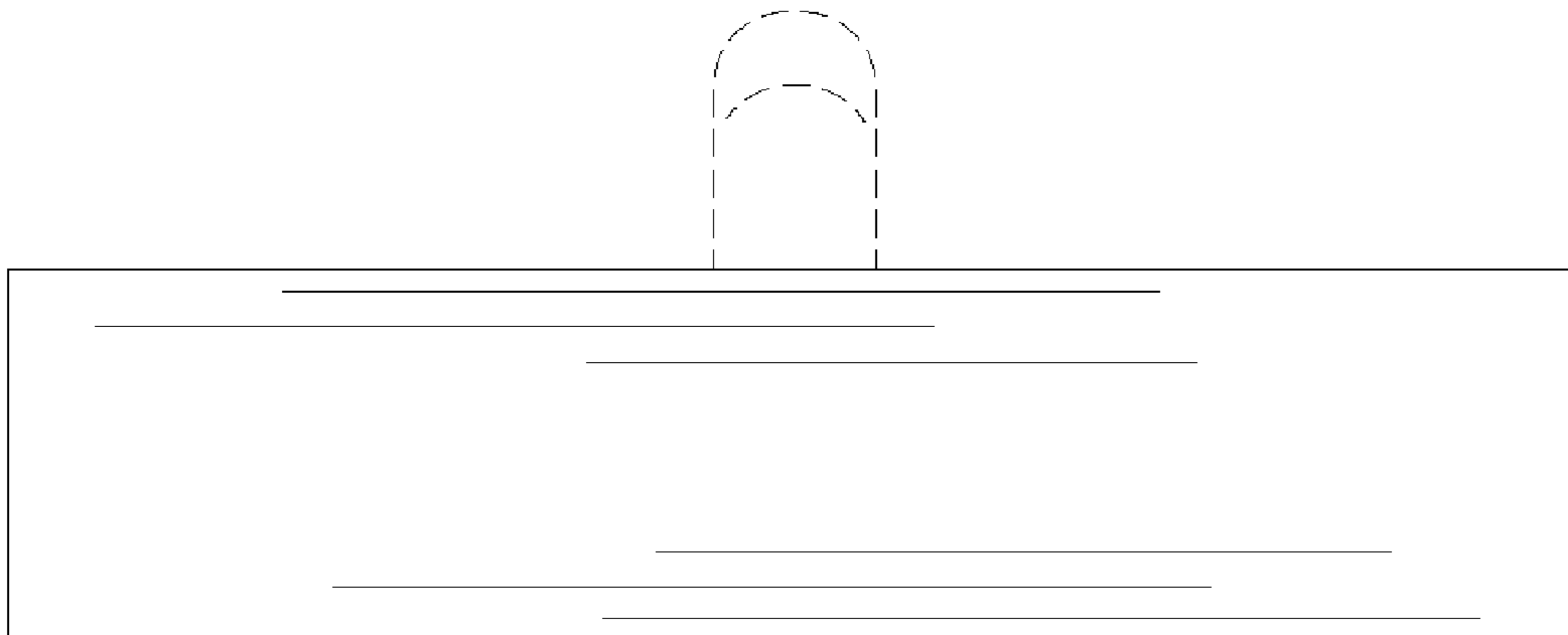


FIG. 3

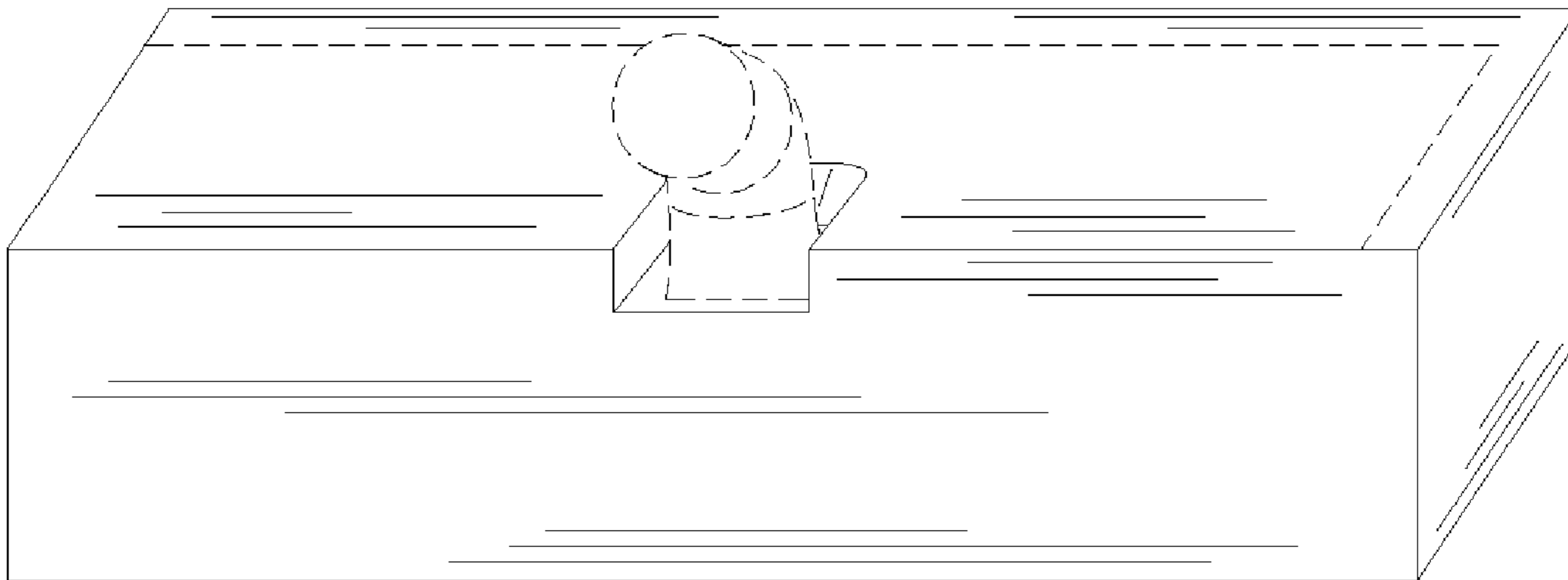


FIG. 4

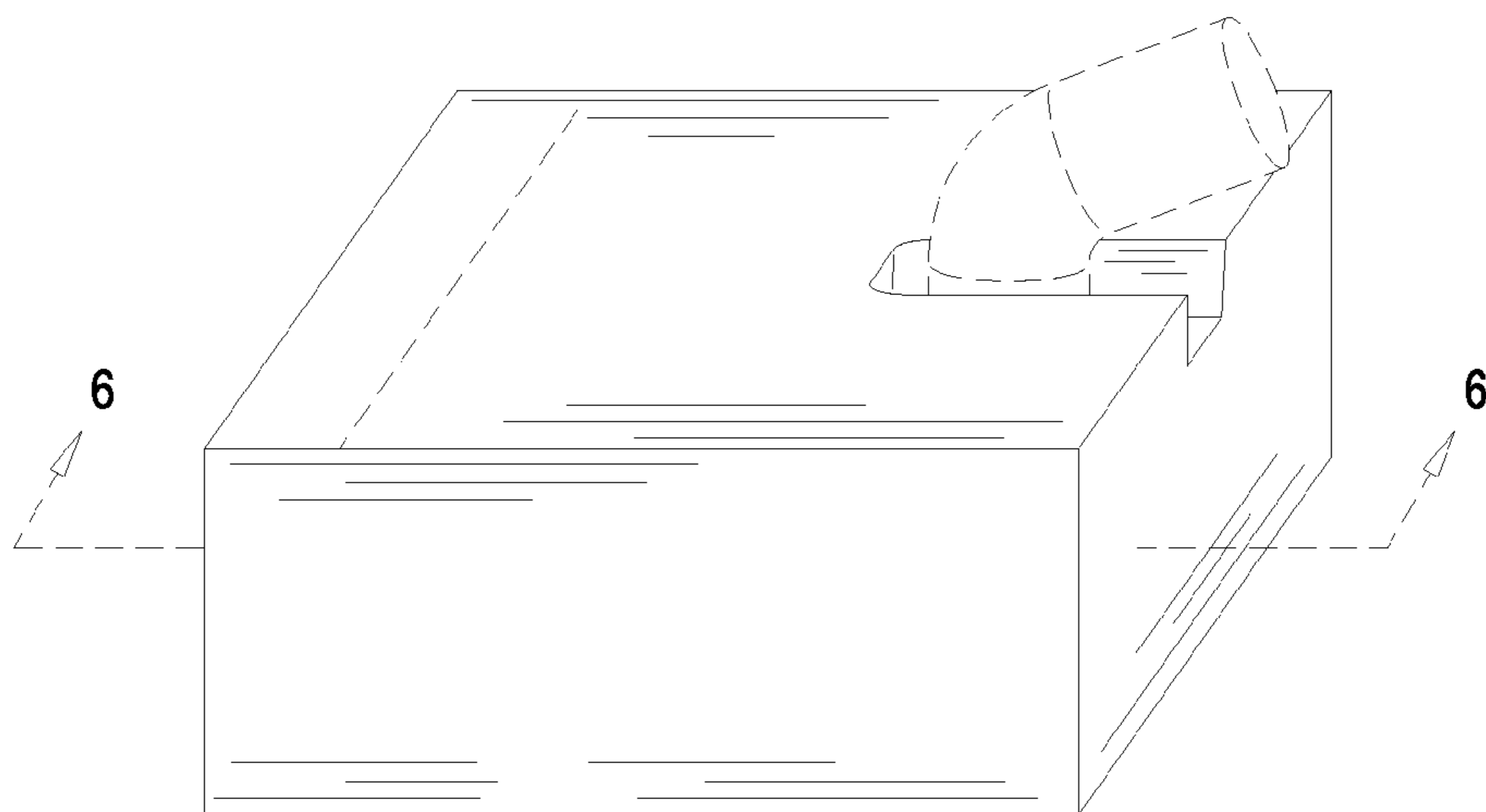


FIG. 5

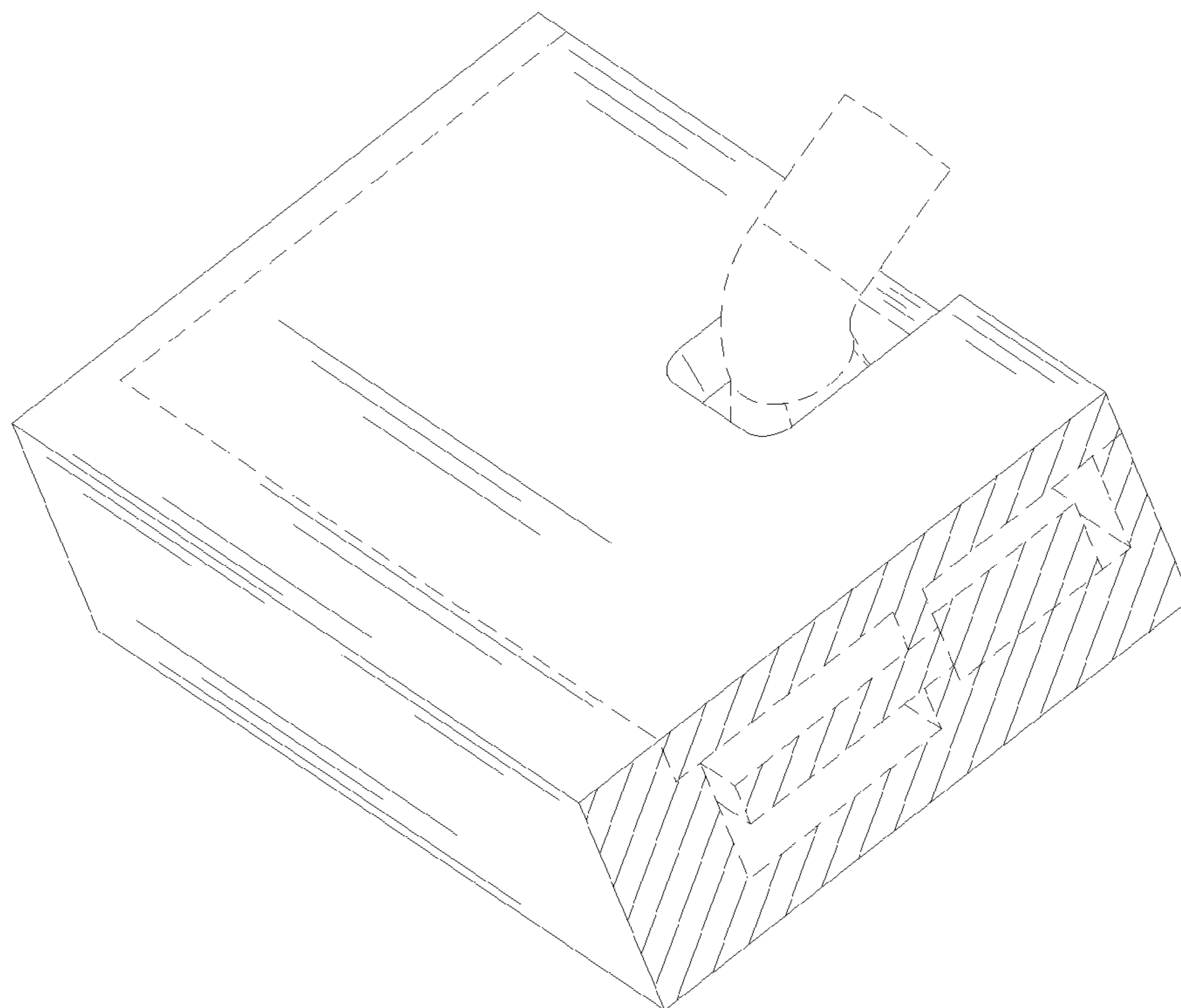


FIG. 6