



US00D684764S

(12) **United States Design Patent**  
**Sigouin**

(10) **Patent No.:** **US D684,764 S**  
(45) **Date of Patent:** **\*\* Jun. 25, 2013**

(54) **DRILL BIT STORAGE FOR TOOL POUCH**

6,561,402 B2 5/2003 Holland et al.  
8,220,683 B2 \* 7/2012 Williams ..... 224/662  
2005/0236454 A1 10/2005 Godshaw et al.

(71) Applicant: **Roger N. Sigouin**, Calgary (CA)

(72) Inventor: **Roger N. Sigouin**, Calgary (CA)

(\*\*) Term: **14 Years**

(21) Appl. No.: **29/438,732**

(22) Filed: **Dec. 3, 2012**

(51) **LOC (9) Cl.** ..... **03-01**

(52) **U.S. Cl.**  
USPC ..... **D3/228**

(58) **Field of Classification Search**  
USPC ... D3/228, 224, 226, 215, 222-223; 224/662,  
224/665, 673, 677, 680-681, 684; 206/376-379  
See application file for complete search history.

(56) **References Cited**

**U.S. PATENT DOCUMENTS**

401,923	A	4/1889	Barnard	
2,682,981	A *	7/1954	Previdi	224/223
2,758,798	A *	8/1956	Schmidt	224/245
5,071,005	A	12/1991	Hemmings et al.	
5,810,525	A	9/1998	Ector, Sr.	
6,119,909	A *	9/2000	Dancyger	224/683
D443,411	S *	6/2001	Snider et al.	D3/228
D448,162	S *	9/2001	Snider	D3/228
D455,901	S *	4/2002	Snider	D3/228

**OTHER PUBLICATIONS**

Sears. Craftsman Drill Bit Pouch. [http://www.sears.com/shc/s/p/\\_10153\\_12605\\_00999975000P?sid=IDx20070921x00003a&ci\\_src=14110944&ci\\_sku=00999975000](http://www.sears.com/shc/s/p/_10153_12605_00999975000P?sid=IDx20070921x00003a&ci_src=14110944&ci_sku=00999975000).  
Amazon.com 9 Piece 2" Power Bit w/Holder. <http://www.amazon.com/Piece-Power-Bit-Holder/dp/B0025ZA9EA>.

\* cited by examiner

*Primary Examiner* — Catheri Oliver-Garcia

(74) *Attorney, Agent, or Firm* — Montgomery Patent & Design; Robert C Montgomery

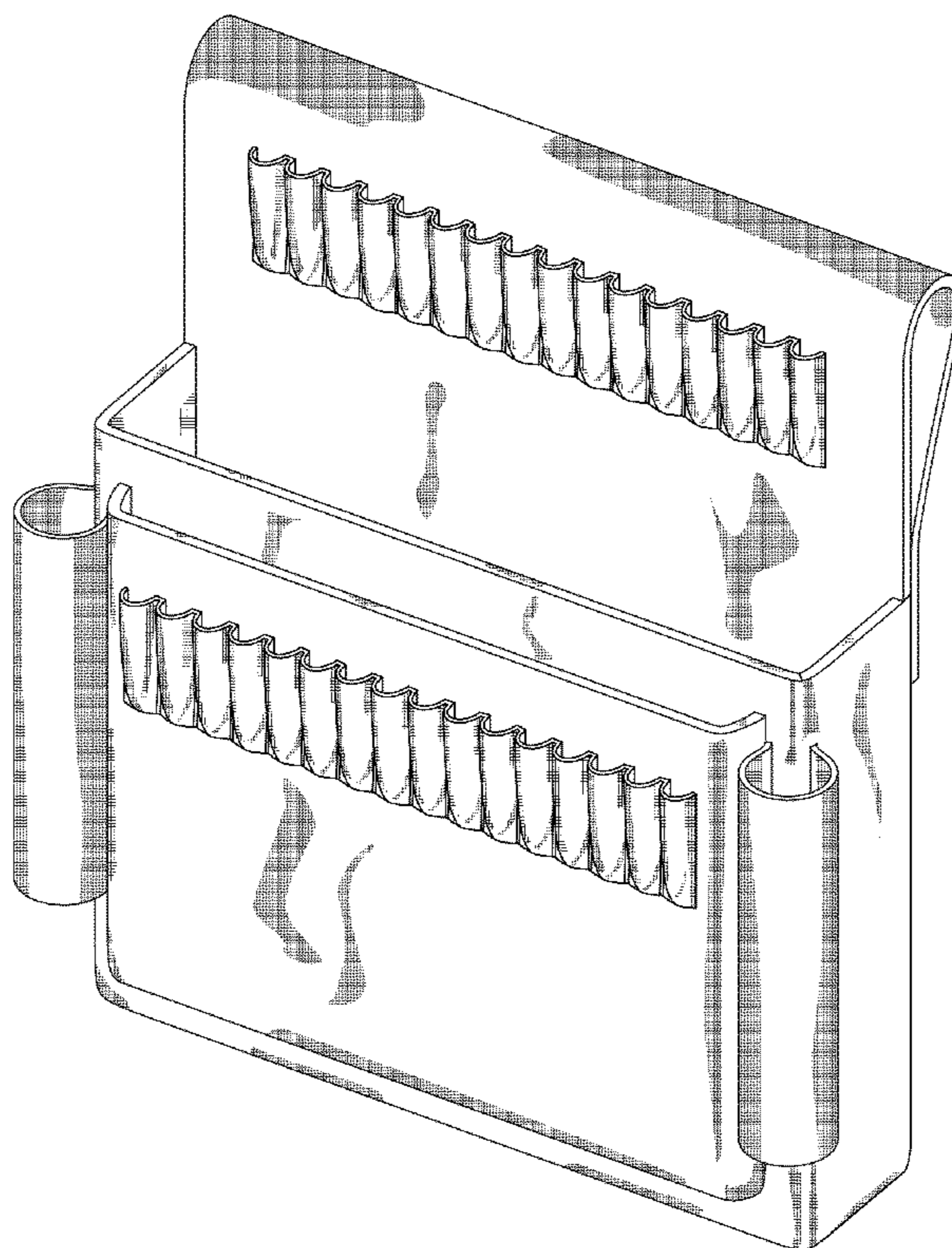
(57) **CLAIM**

The ornamental design for a drill bit storage for a tool pouch, as shown and described.

**DESCRIPTION**

FIG. 1 is a perspective view of a drill bit storage for a tool pouch, showing my new design;  
FIG. 2 is a front view thereof;  
FIG. 3 is a rear view thereof;  
FIG. 4 is a left view thereof, with a right view being a mirror image;  
FIG. 5 is a top view thereof; and,  
FIG. 6 is a bottom view thereof.

**1 Claim, 6 Drawing Sheets**



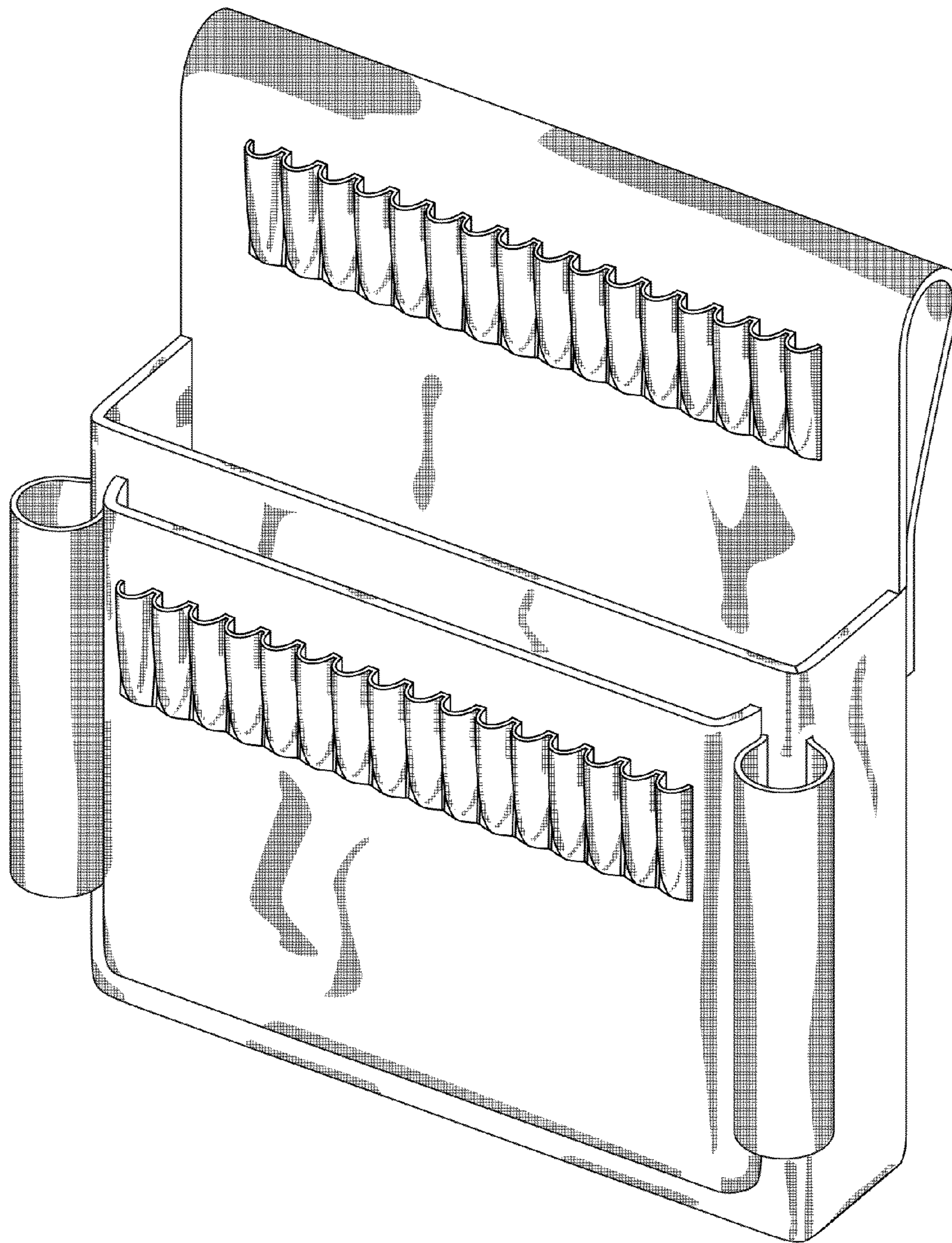


Fig. 1



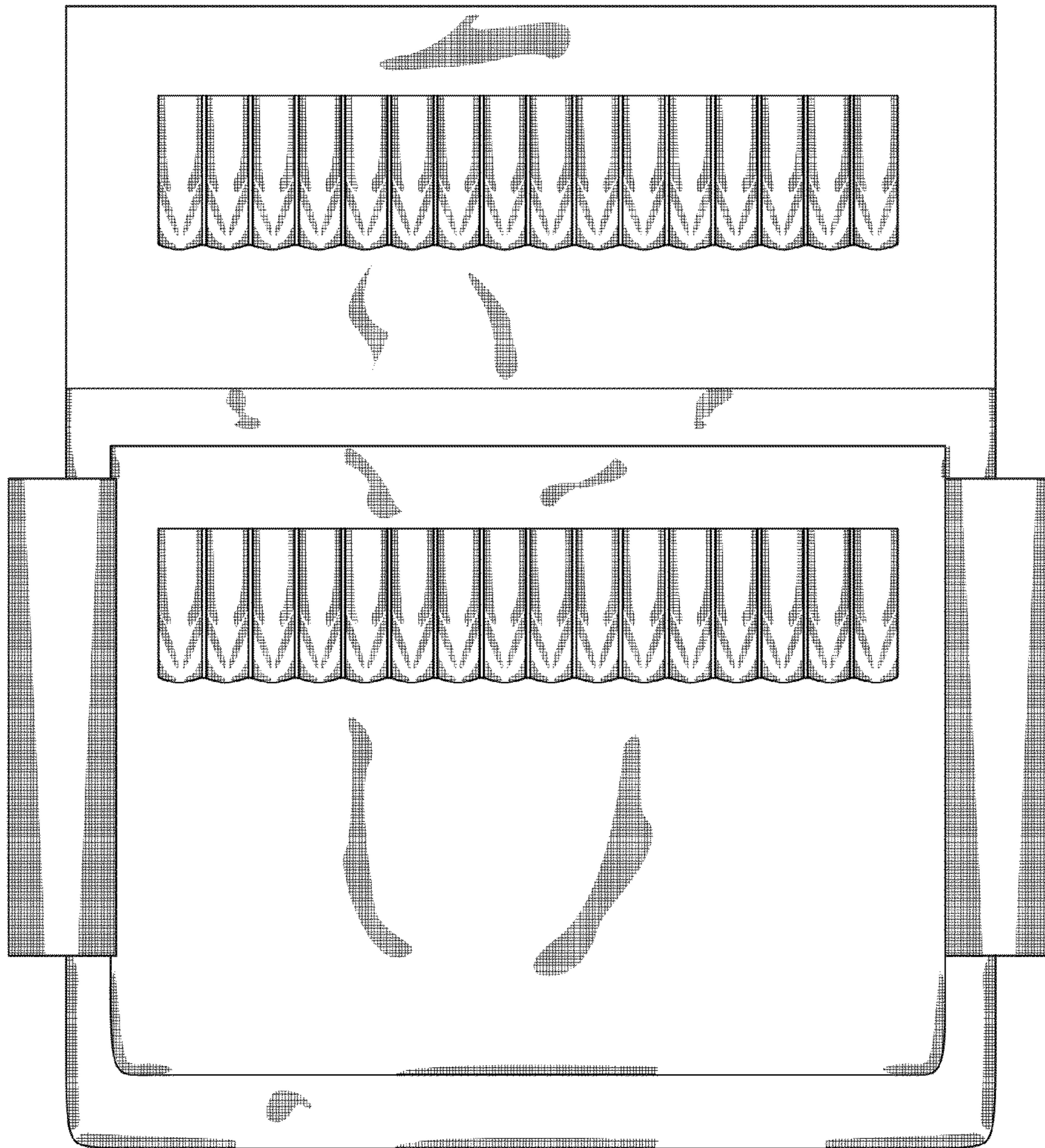


Fig. 2

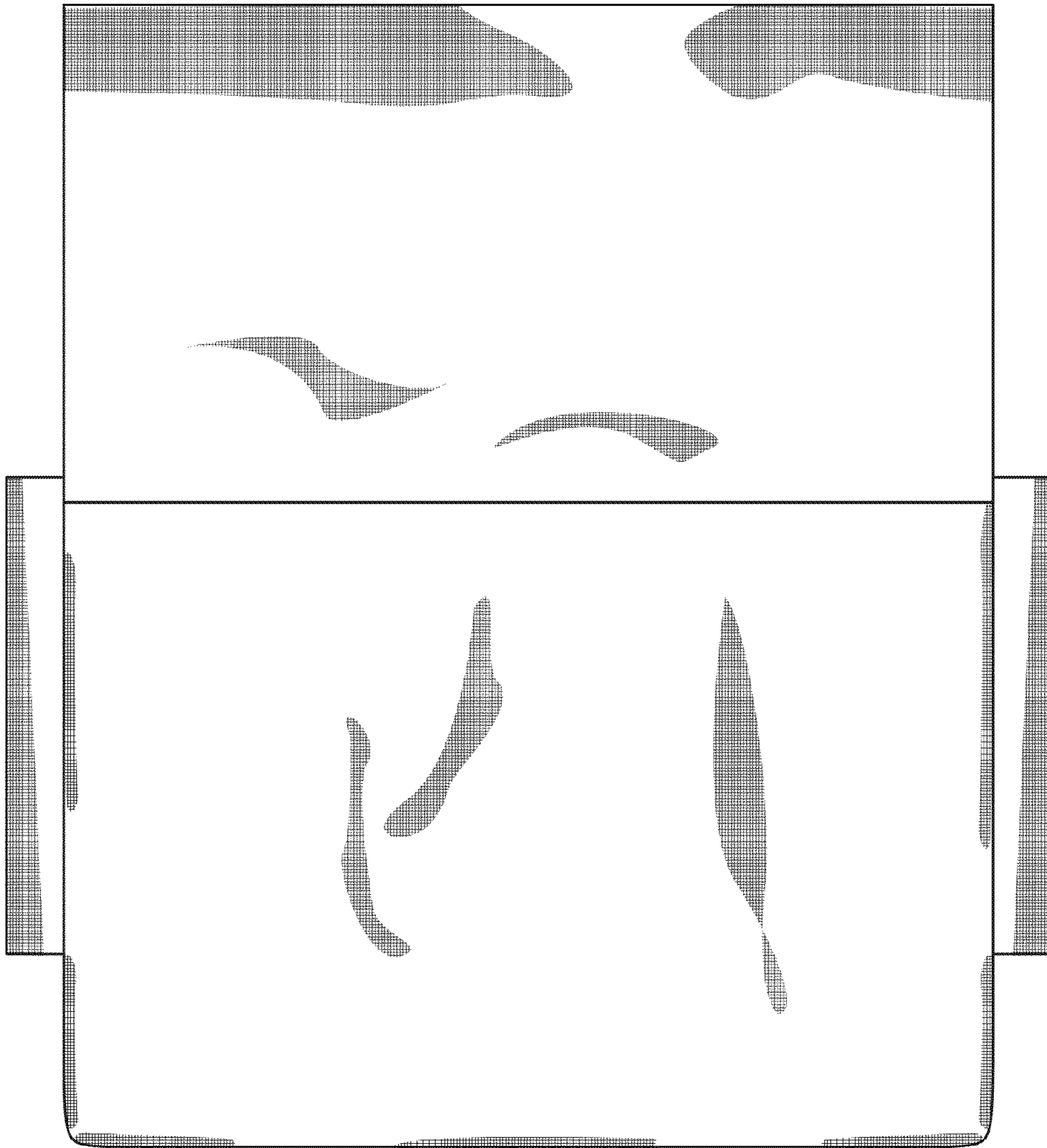


Fig. 3



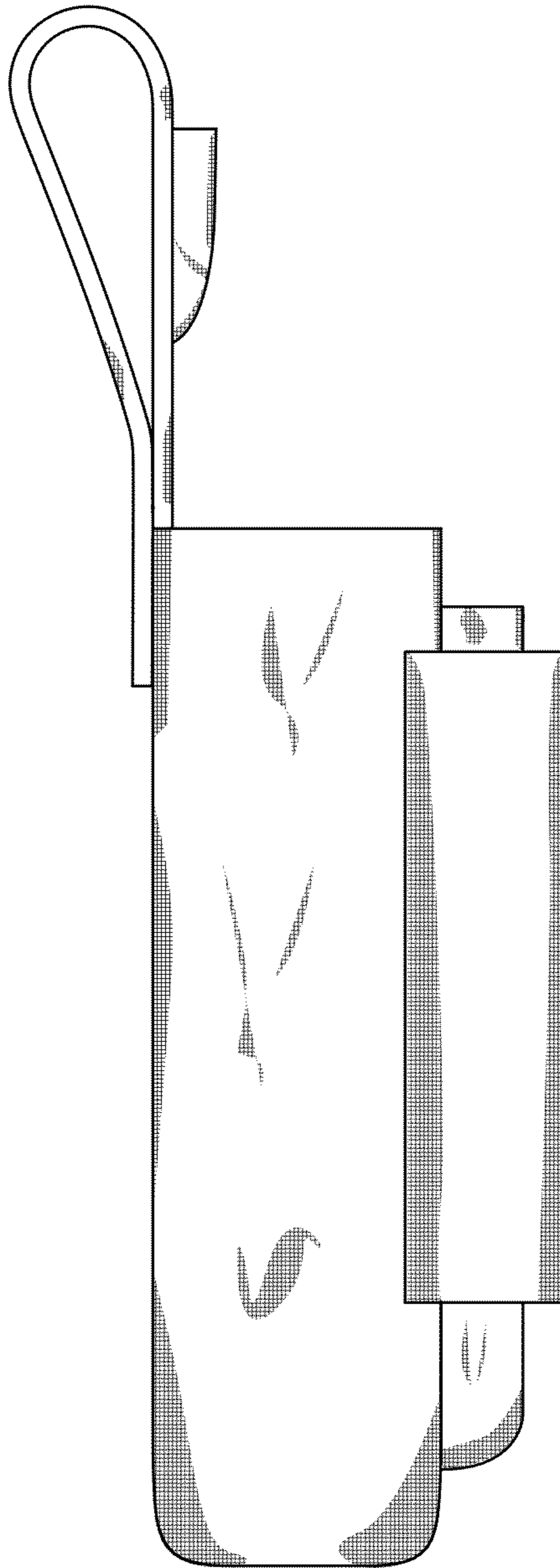


Fig. 4

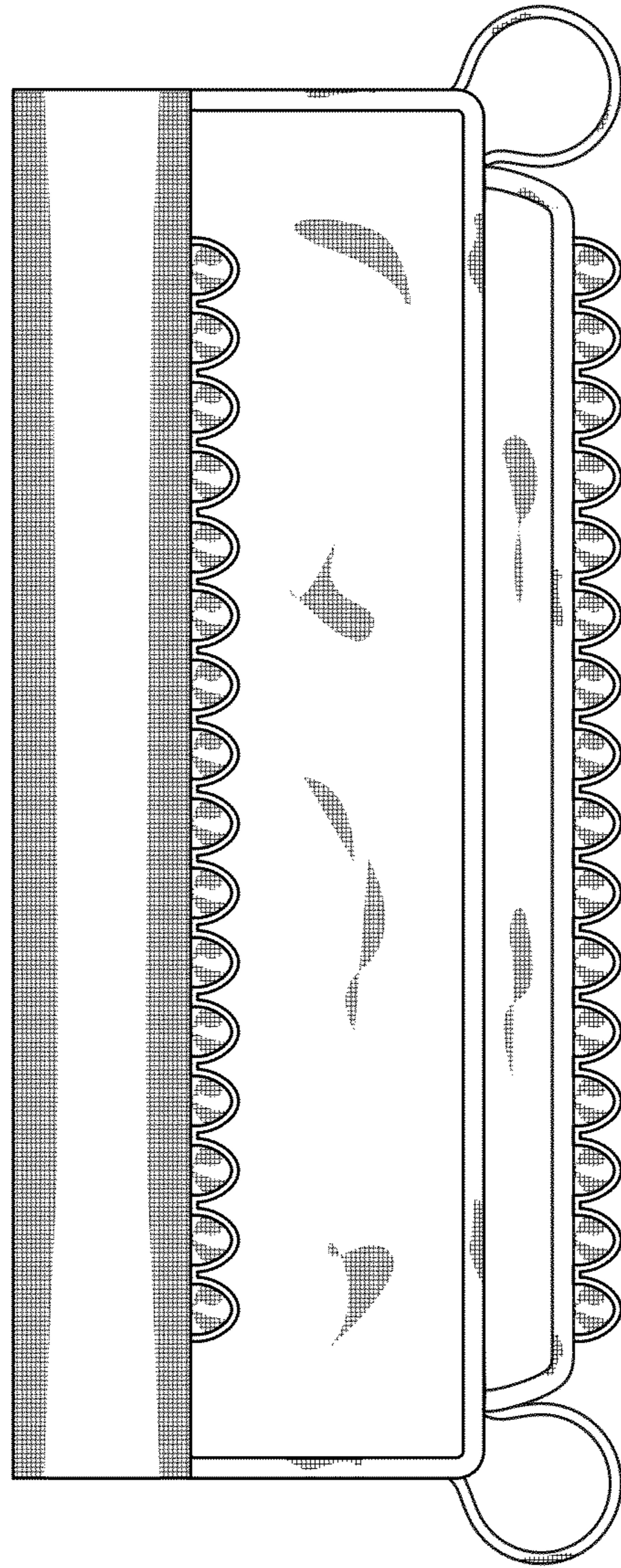


Fig. 5

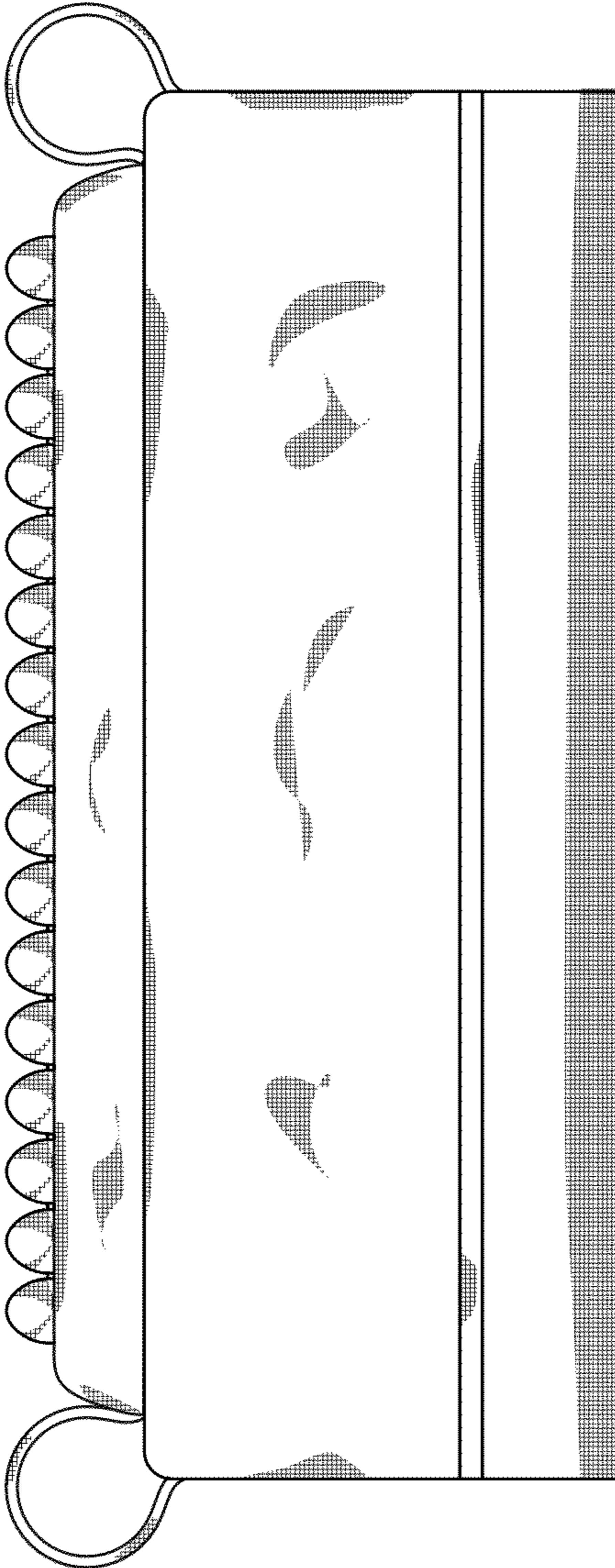


Fig. 6