



US00D684763S

(12) **United States Design Patent**  
**Stephens**

(10) **Patent No.:** **US D684,763 S**  
(45) **Date of Patent:** **\*\* Jun. 25, 2013**

- (54) **ATTACHABLE POCKET**
- (71) Applicant: **Gary J. Stephens**, Montauk, NY (US)
- (72) Inventor: **Gary J. Stephens**, Montauk, NY (US)
- (\*\*) Term: **14 Years**
- (21) Appl. No.: **29/438,589**
- (22) Filed: **Nov. 30, 2012**
- (51) **LOC (9) Cl.** ..... **03-01**
- (52) **U.S. Cl.**  
USPC ..... **D3/219; D3/226**
- (58) **Field of Classification Search**  
USPC ..... D3/219, 215, 226, 228, 265-266,  
D3/220; 206/5, 5.1, 6, 234; 248/902; 24/10 R,  
24/3.3, 3.8; 2/250  
See application file for complete search history.

4,148,422 A	4/1979	Habler	
4,998,653 A	3/1991	LaBelle	
5,123,525 A	6/1992	Orlowski	
D336,564 S *	6/1993	Kidd	D3/265
D366,758 S	2/1996	Weiler	
5,676,242 A *	10/1997	Scott	206/5
D400,351 S *	11/1998	Hatchiguian	D3/219
6,199,218 B1	3/2001	Michael	
D653,447 S *	2/2012	Graham	D3/265

\* cited by examiner

*Primary Examiner* — Catheri Oliver-Garcia  
(74) *Attorney, Agent, or Firm* — Montgomery Patent & Design; Robert C. Montgomery

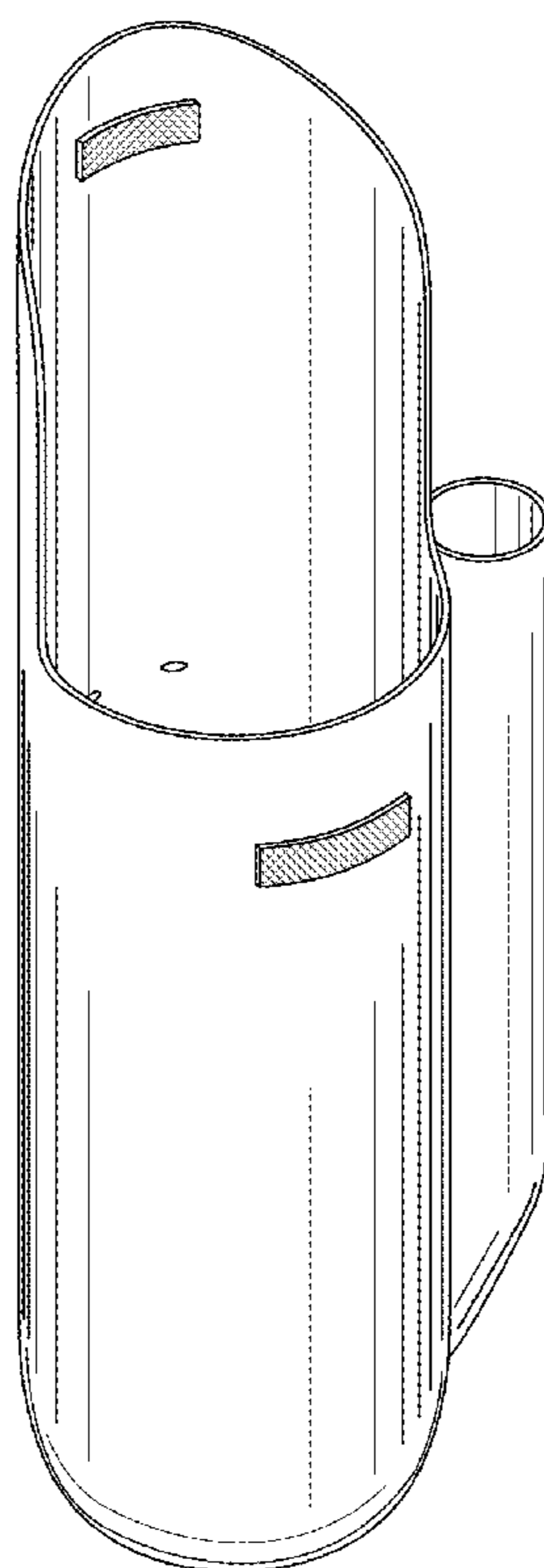
(57) **CLAIM**  
The ornamental design for an attachable pocket, as shown and described.

**DESCRIPTION**

FIG. 1 is a front perspective view of an attachable pocket, showing my new design;  
FIG. 2 is a front view thereof;  
FIG. 3 is a rear view thereof;  
FIG. 4 is a left view thereof;  
FIG. 5 is a right view thereof;  
FIG. 6 is a top view thereof; and,  
FIG. 7 is a bottom view thereof.

**1 Claim, 6 Drawing Sheets**

- (56) **References Cited**
- U.S. PATENT DOCUMENTS
- 177,415 A \* 5/1876 Miser ..... 206/5
- 313,762 A \* 3/1885 Pattee ..... 24/3.8
- 326,065 A \* 9/1885 Striker ..... 24/3.8
- 421,438 A 2/1890 Shailer
- 441,651 A 12/1890 Eyre
- 571,373 A \* 11/1896 Johnston ..... 24/3.8
- 645,814 A \* 3/1900 Johnson ..... 24/3.8
- 2,850,152 A \* 9/1958 Marrufo ..... 206/234
- 3,994,391 A \* 11/1976 Holland ..... 206/5



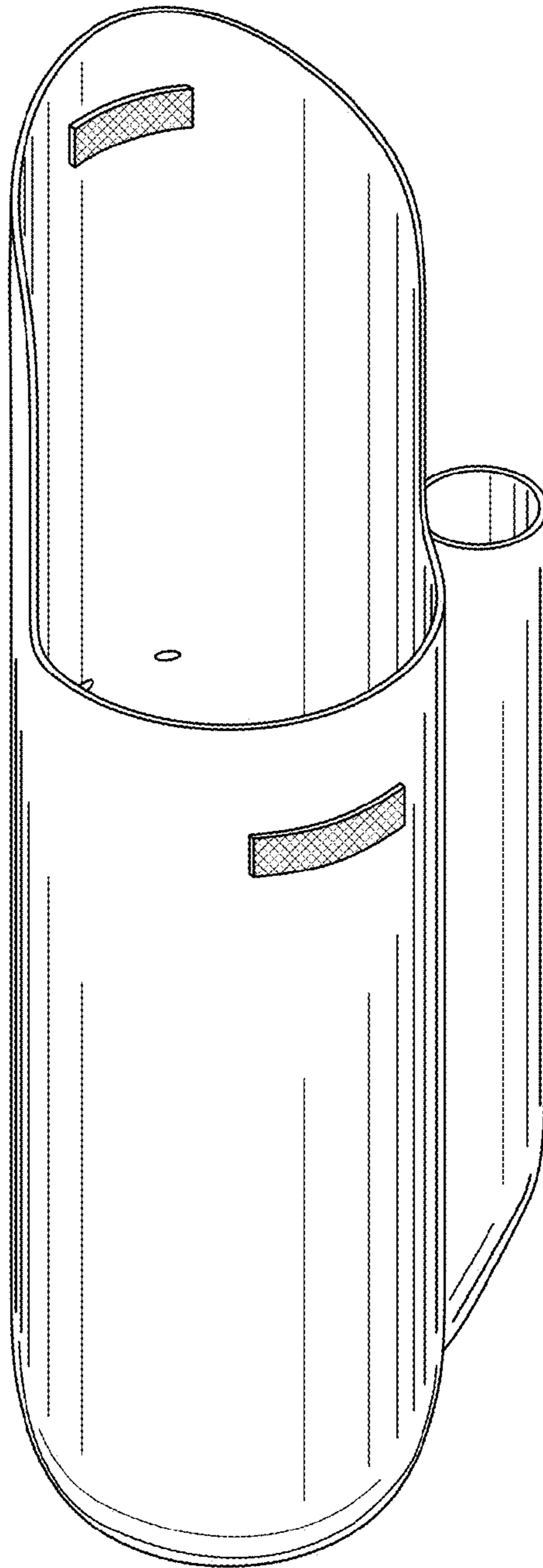


Fig. 1

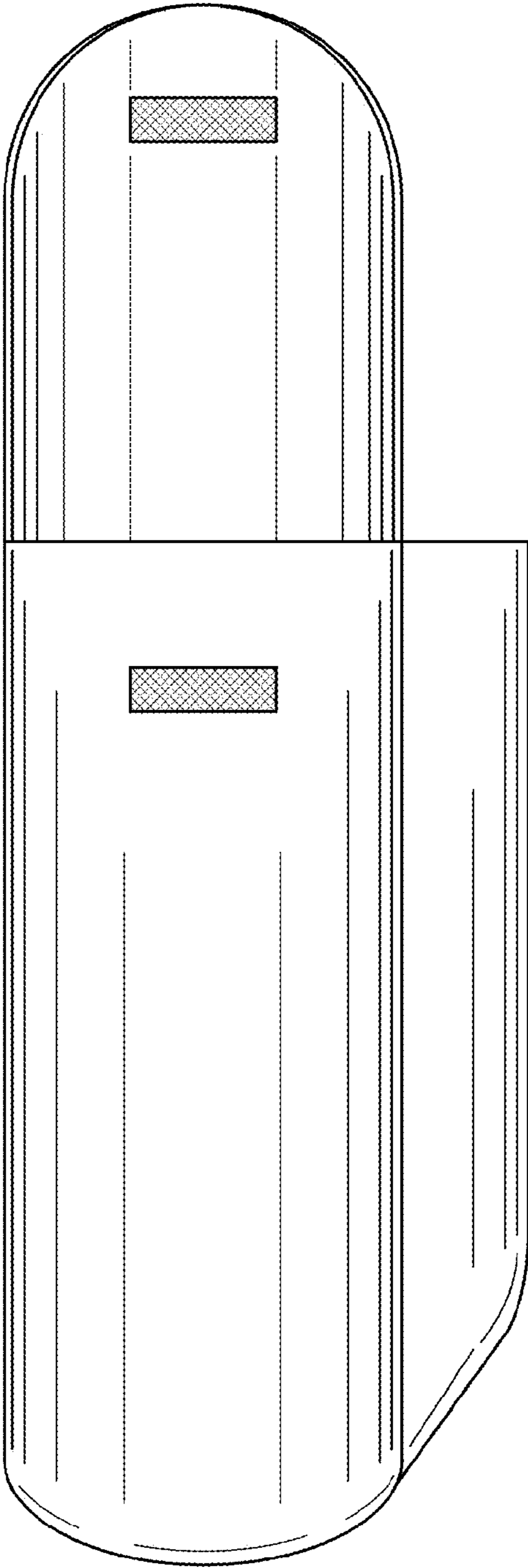


Fig. 2

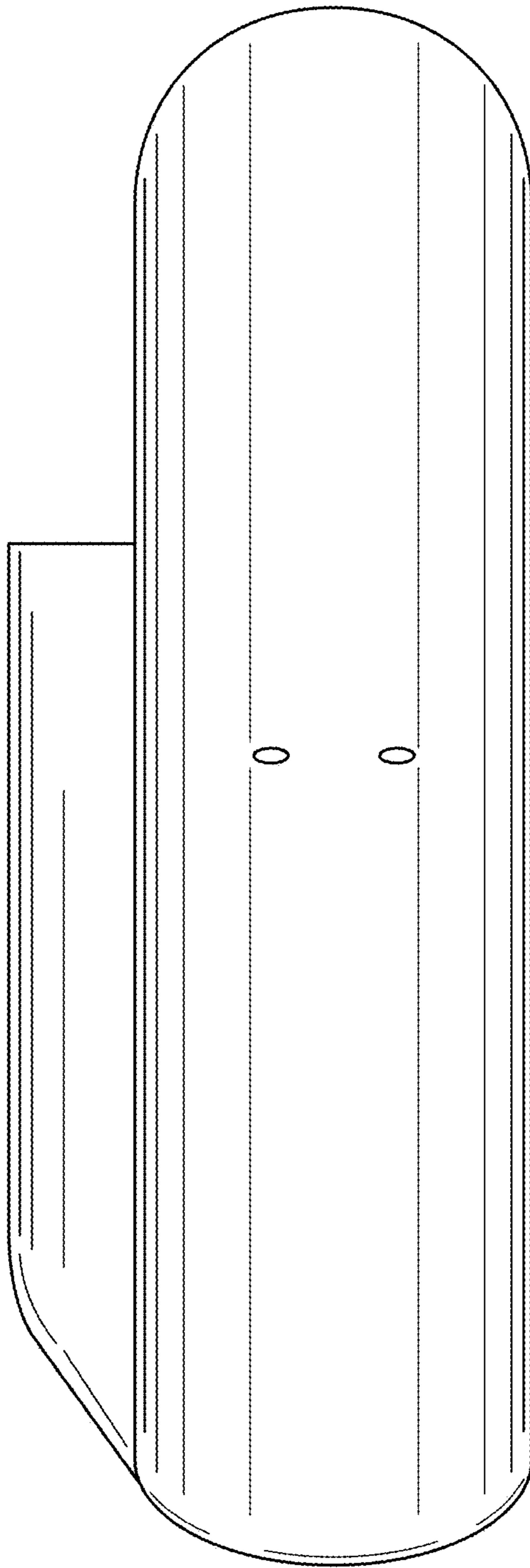


Fig. 3

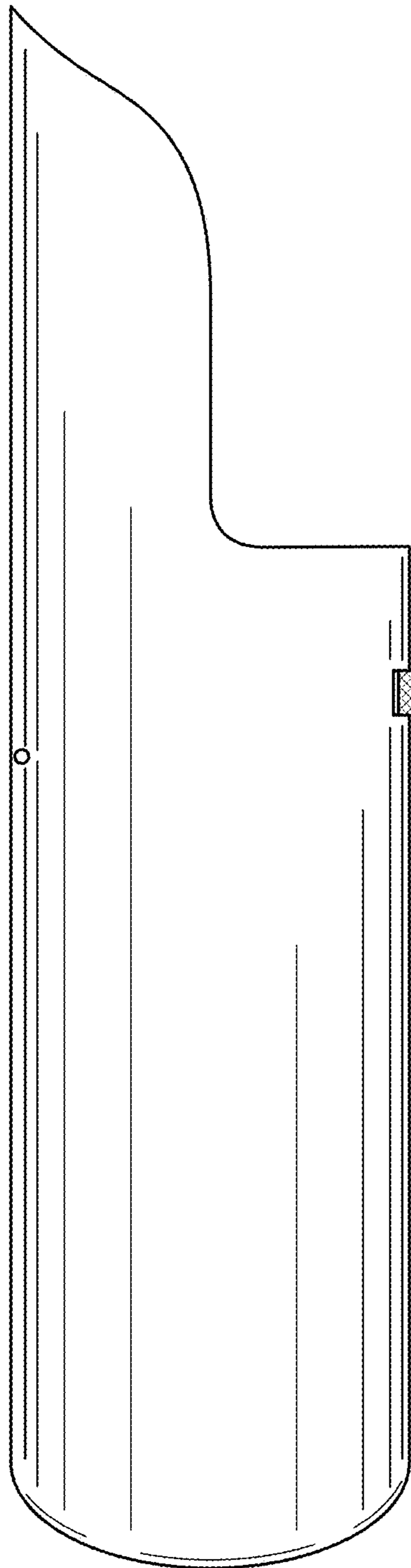


Fig. 4

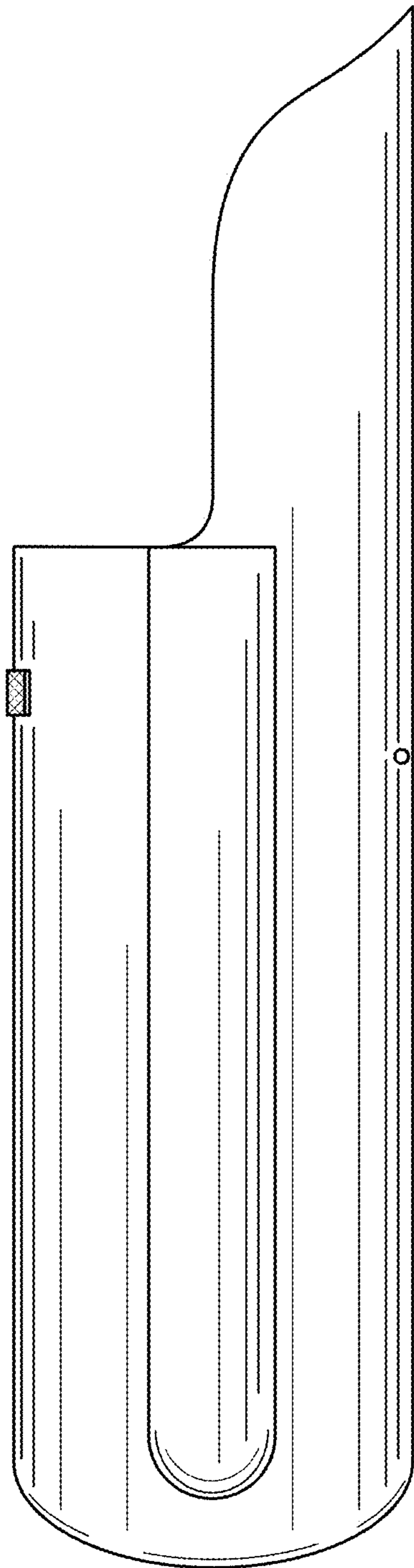


Fig. 5

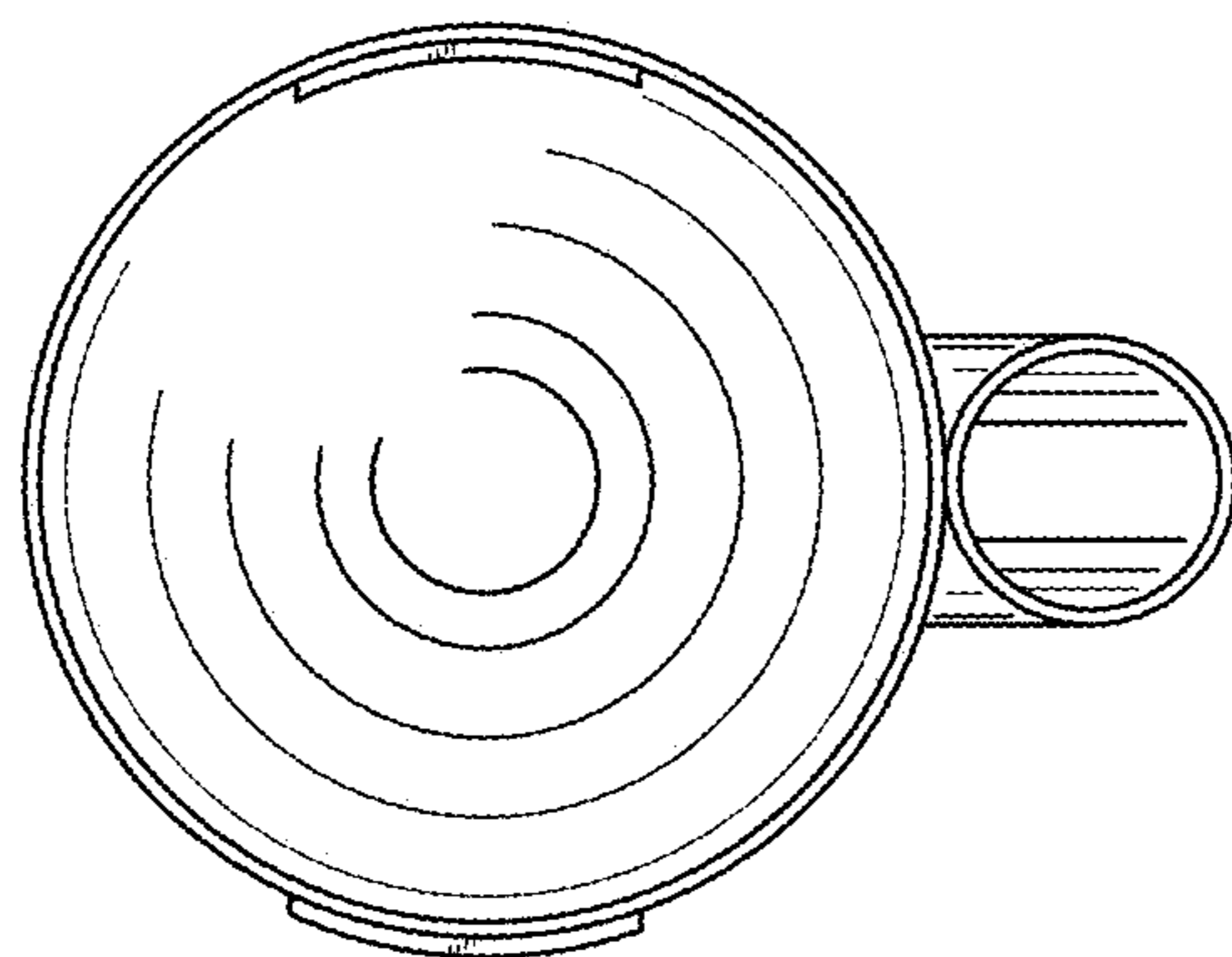


Fig. 6

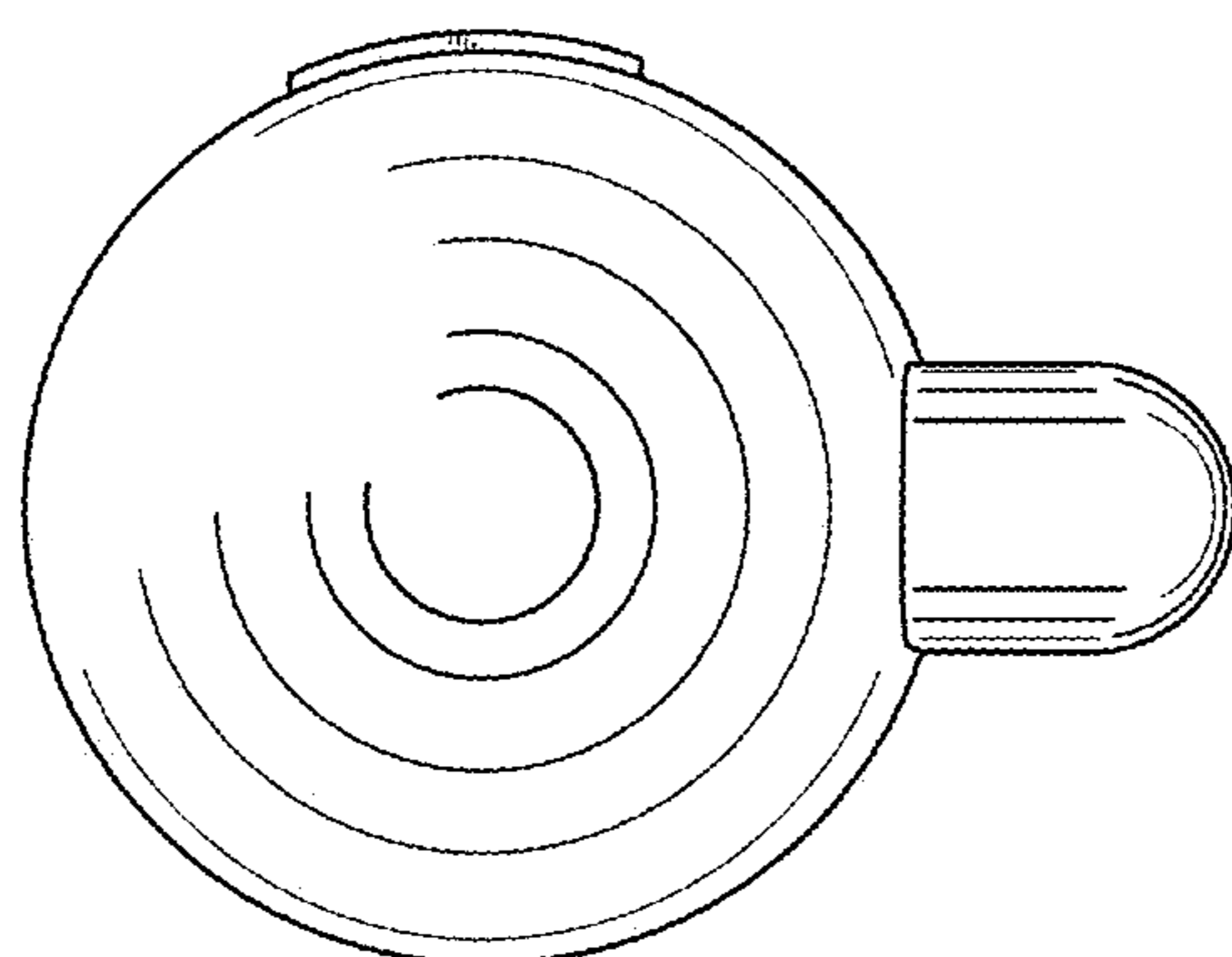


Fig. 7