



US00D684752S

(12) **United States Design Patent**  
**Nguyen**

(10) **Patent No.:** **US D684,752 S**  
(45) **Date of Patent:** **\*\* Jun. 25, 2013**

(54) **BIB**

(71) Applicant: **Stephanie P. Nguyen**, Cabramatta (AU)

(72) Inventor: **Stephanie P. Nguyen**, Cabramatta (AU)

(\*\*) Term: **14 Years**

(21) Appl. No.: **29/436,629**

(22) Filed: **Nov. 7, 2012**

(51) **LOC (9) Cl.** ..... **02-02**

(52) **U.S. Cl.**  
USPC ..... **D2/864**

(58) **Field of Classification Search**  
USPC ..... D2/860, 861, 864; 2/46, 48-51  
See application file for complete search history.

(56) **References Cited**

**U.S. PATENT DOCUMENTS**

2,446,689	A *	8/1948	Brose et al. ....	2/49.5
D152,879	S *	3/1949	Grassi .....	D2/864
2,672,614	A *	3/1954	Zimmerman et al. ....	2/49.3
3,407,407	A *	10/1968	Hollander et al. ....	2/49.2
4,649,572	A	3/1987	Roessler	
5,062,558	A	11/1991	Stang	
D325,115	S *	4/1992	Vassar, Sr. ....	D2/864
5,220,692	A	6/1993	Cox	
D350,220	S *	9/1994	Lindy .....	D2/864

D382,987	S *	9/1997	Johnson, Jr. ....	D2/861
D394,339	S *	5/1998	Hill .....	D2/864
6,105,165	A *	8/2000	Johnson et al. ....	2/49.2
6,708,341	B1 *	3/2004	Schaller .....	2/51
6,826,780	B1 *	12/2004	Romesburg .....	2/49.2
D530,887	S *	10/2006	Harless .....	D2/861

\* cited by examiner

*Primary Examiner* — Rashida Johnson

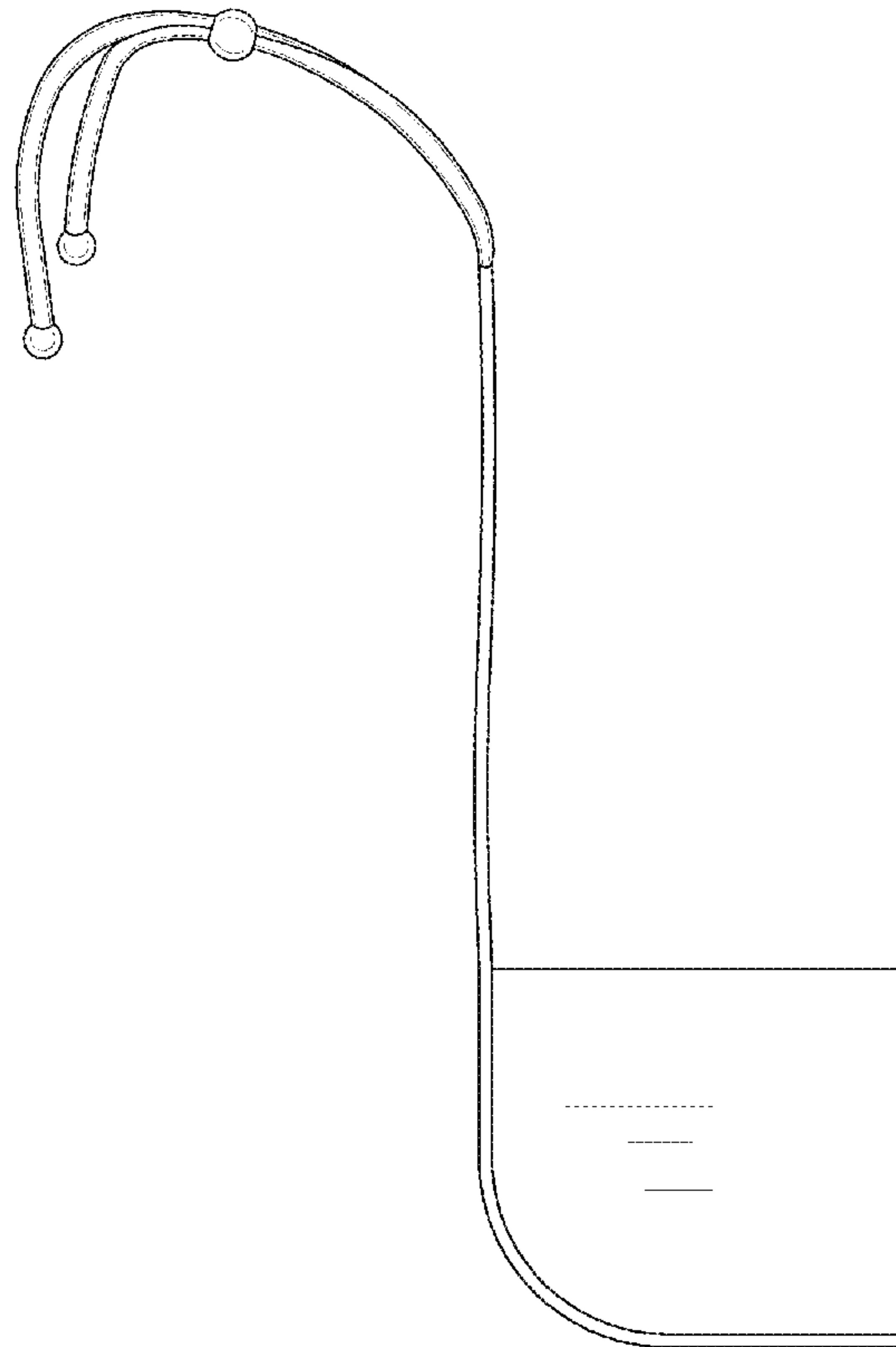
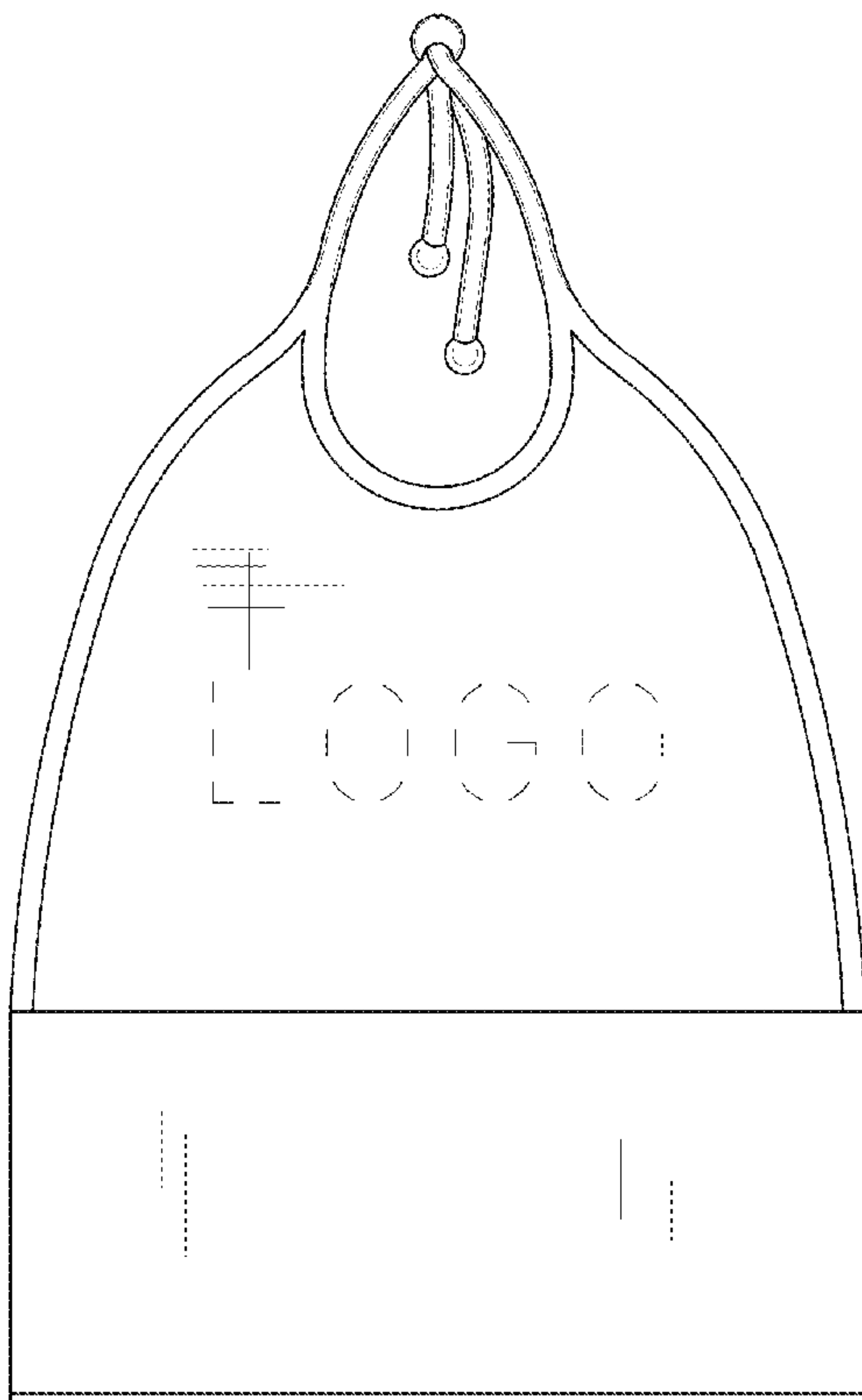
(57) **CLAIM**

The ornamental design for a bib, as shown and described.

**DESCRIPTION**

FIG. 1 is a front elevation view of a bib showing my new design;  
 FIG. 2 is a rear elevation view thereof;  
 FIG. 3 is a right side elevation view thereof, the opposite side being a mirror image of the shown;  
 FIG. 4 is a top plan view thereof;  
 FIG. 5 is a bottom plan view thereof; and,  
 FIG. 6 is an isometric view thereof.  
 The broken lines in FIGS. 1 and 6 of the drawings depict a logo as environmental subject matter only and form no part of the claimed design.

**1 Claim, 6 Drawing Sheets**



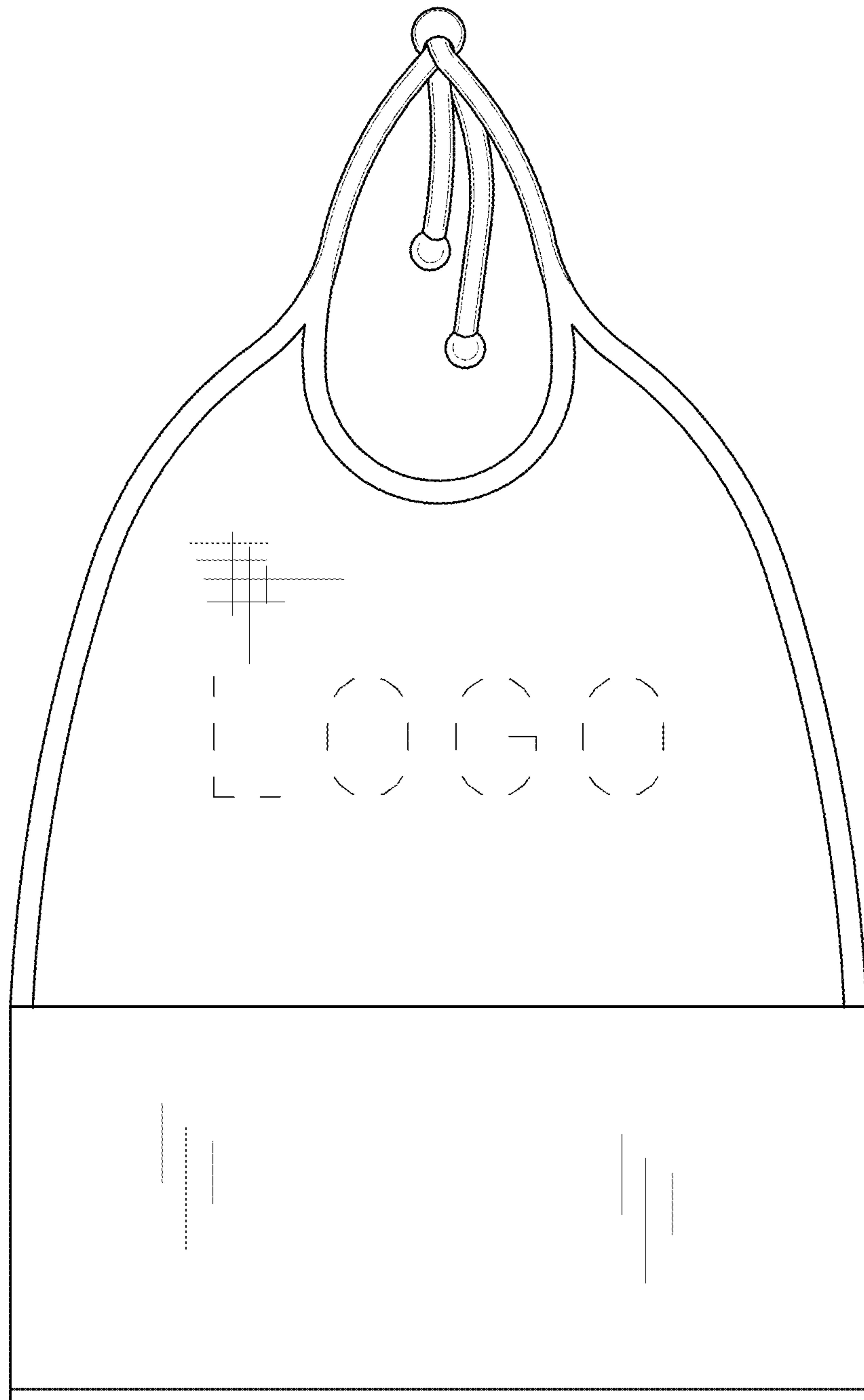


FIG. 1

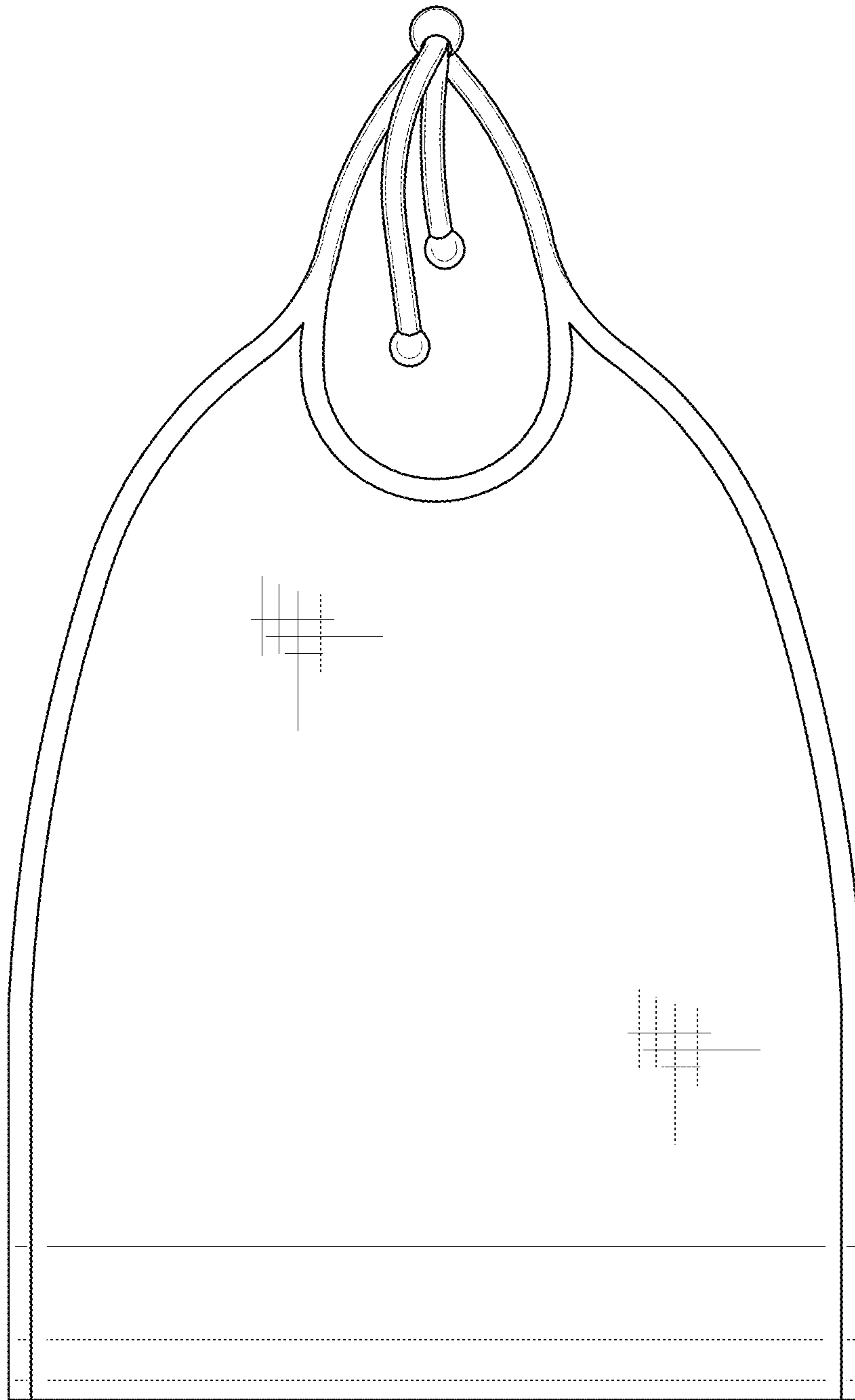


FIG. 2

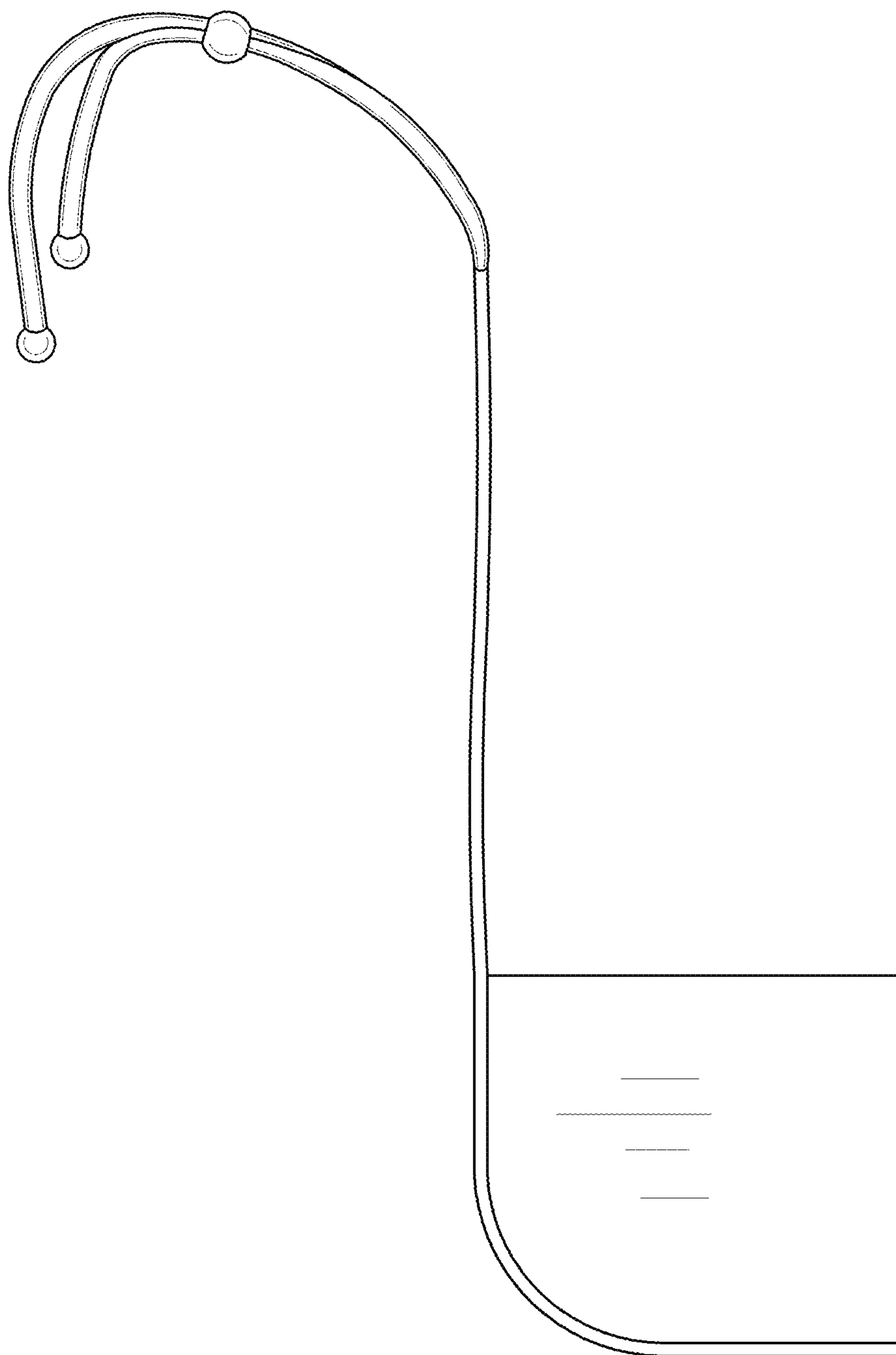


FIG. 3

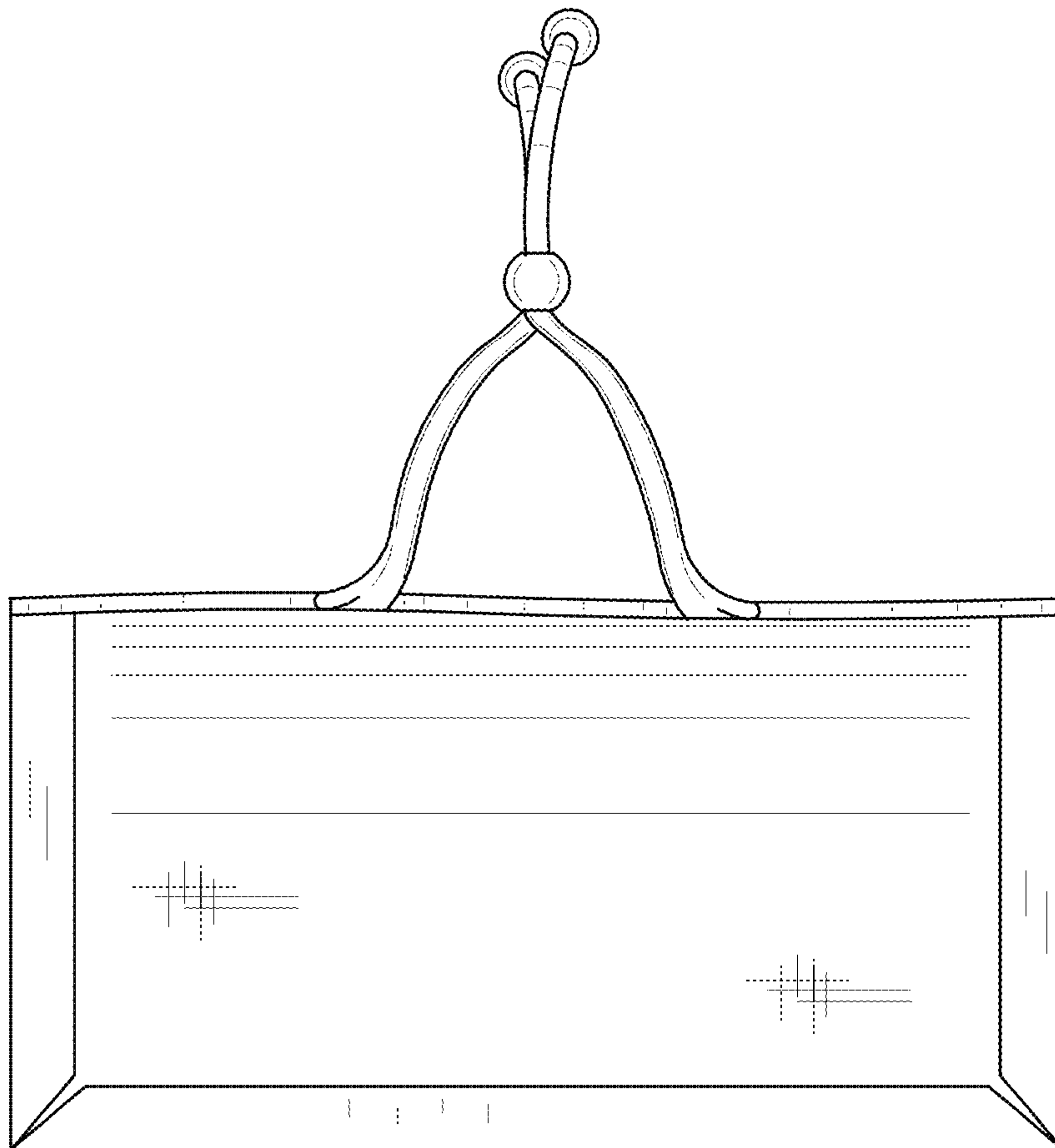


FIG. 4

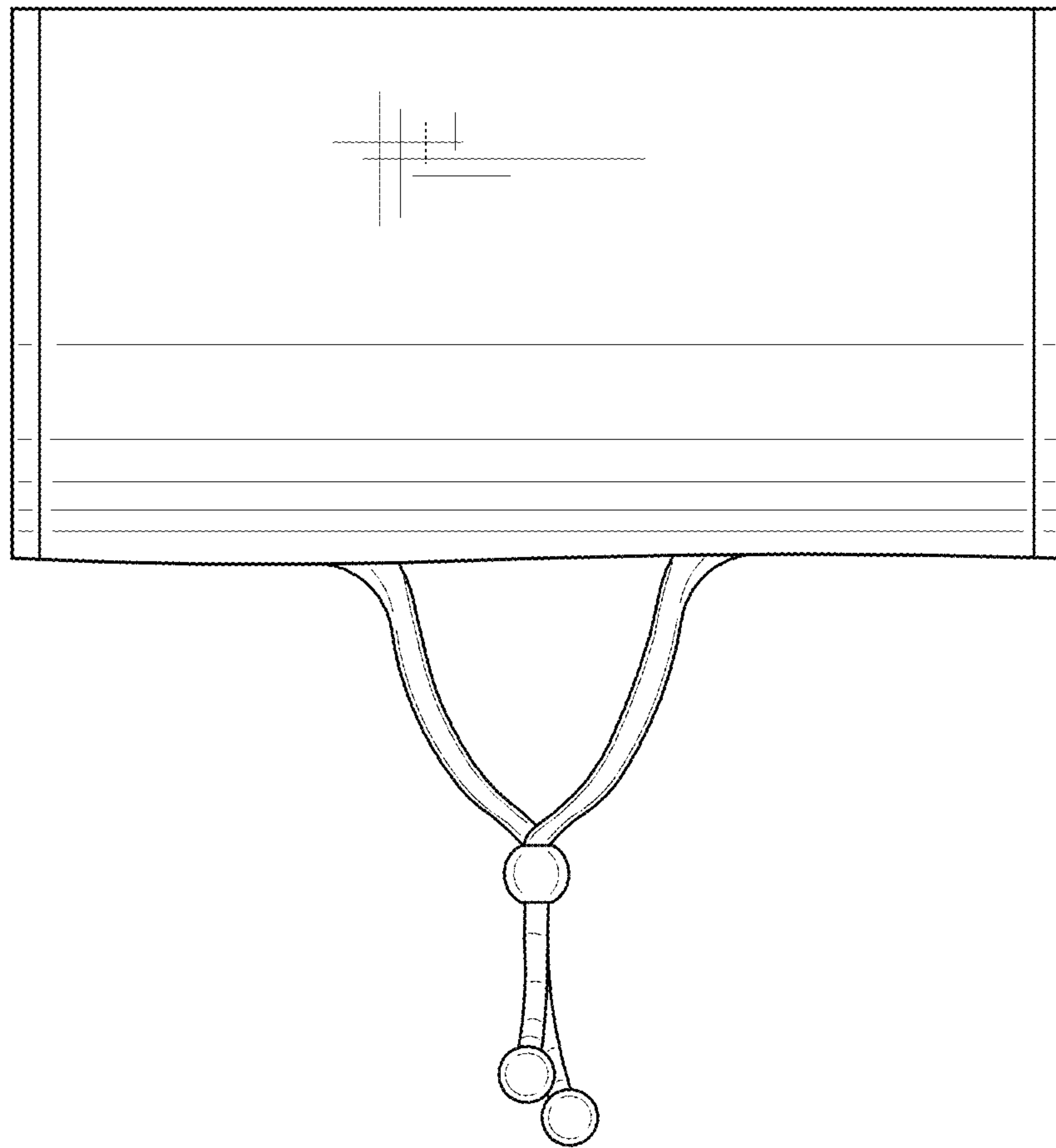


FIG. 5

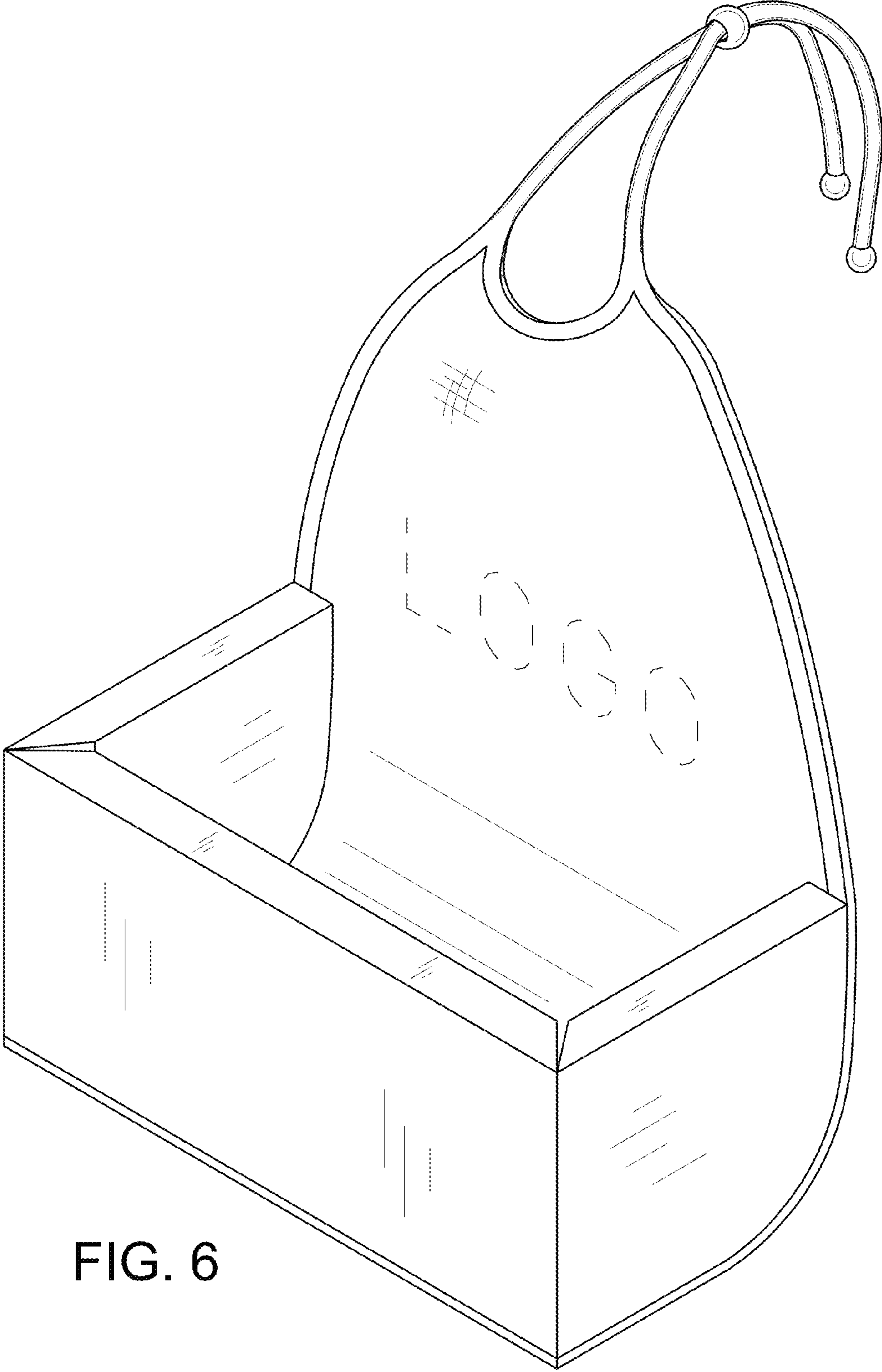


FIG. 6