



US00D684751S

(12) **United States Design Patent**
Lahham

(10) **Patent No.:** **US D684,751 S**
(45) **Date of Patent:** **** Jun. 25, 2013**

- (54) **T-SHIRT WITH BICEPS MEASUREMENT**
- (76) Inventor: **Ramez J. Lahham**, Tampa, FL (US)
- (**) Term: **14 Years**
- (21) Appl. No.: **29/410,187**
- (22) Filed: **Jan. 5, 2012**
- (51) **LOC (9) Cl.** **02-02**
- (52) **U.S. Cl.**
USPC **D2/840**
- (58) **Field of Classification Search**
USPC D2/700, 716, 717, 718, 720, 724,
D2/731-734, 811, 819, 840-844, 857, 860;
2/2.17, 243.1, 247, 455; D10/87-102
See application file for complete search history.

(56) **References Cited**

U.S. PATENT DOCUMENTS

947,542	A *	1/1910	De Feo	33/2 R
3,922,723	A *	12/1975	Popper	2/113
4,445,370	A *	5/1984	Whitmire	73/290 B
4,531,293	A *	7/1985	Grinde	33/729
D286,220	S *	10/1986	Irwin	D2/717
D293,087	S *	12/1987	Grinde	D10/101
D316,981	S *	5/1991	Geschwender et al.	D10/101
5,920,998	A *	7/1999	Slilaty	33/512
D654,660	S *	2/2012	Jones et al.	D2/717
2006/0218693	A1 *	10/2006	Sinohui	2/115
2006/0225183	A1 *	10/2006	Khavulya	2/113
2008/0072360	A1 *	3/2008	Grilliot et al.	2/81
2010/0319107	A1 *	12/2010	Hussein	2/244
2011/0154553	A1 *	6/2011	Thompson	2/78.1

OTHER PUBLICATIONS

Ruler T Shirt from Zazzle.com, [online], reviewed on Dec. 9, 2011, retrieved on Oct. 16, 2012. Retrieved from, <URL: <http://www.zazzle.com/ruler-t-shirt-235695287937623026>>, 1 page.*

Google image Result for [http://www.beckybones.com/Portals/0/TshirtDesign/Design . . .](http://www.beckybones.com/Portals/0/TshirtDesign/Design...), [online], published on Aug. 17, 2010, retrieved on Oct. 15, 2012. Retrieved from, <URL: [http://www.google.com/imgres?q=measuring+scale+on+tshirt&start=94&hl=en&biw=1117&bih=670&addh=36&tbn=isch&tbnid=QzXQOBn0Su3BFM:&imgrefurl=http://www.beckybones.com/Play/ . . .](http://www.google.com/imgres?q=measuring+scale+on+tshirt&start=94&hl=en&biw=1117&bih=670&addh=36&tbn=isch&tbnid=QzXQOBn0Su3BFM:&imgrefurl=http://www.beckybones.com/Play/...)>, 1 page.*

* cited by examiner

Primary Examiner — Ian Simmons

Assistant Examiner — Shannon Weekley

(74) *Attorney, Agent, or Firm* — Gold & Rizvi, P.A.; H. John Rizvi

(57) **CLAIM**

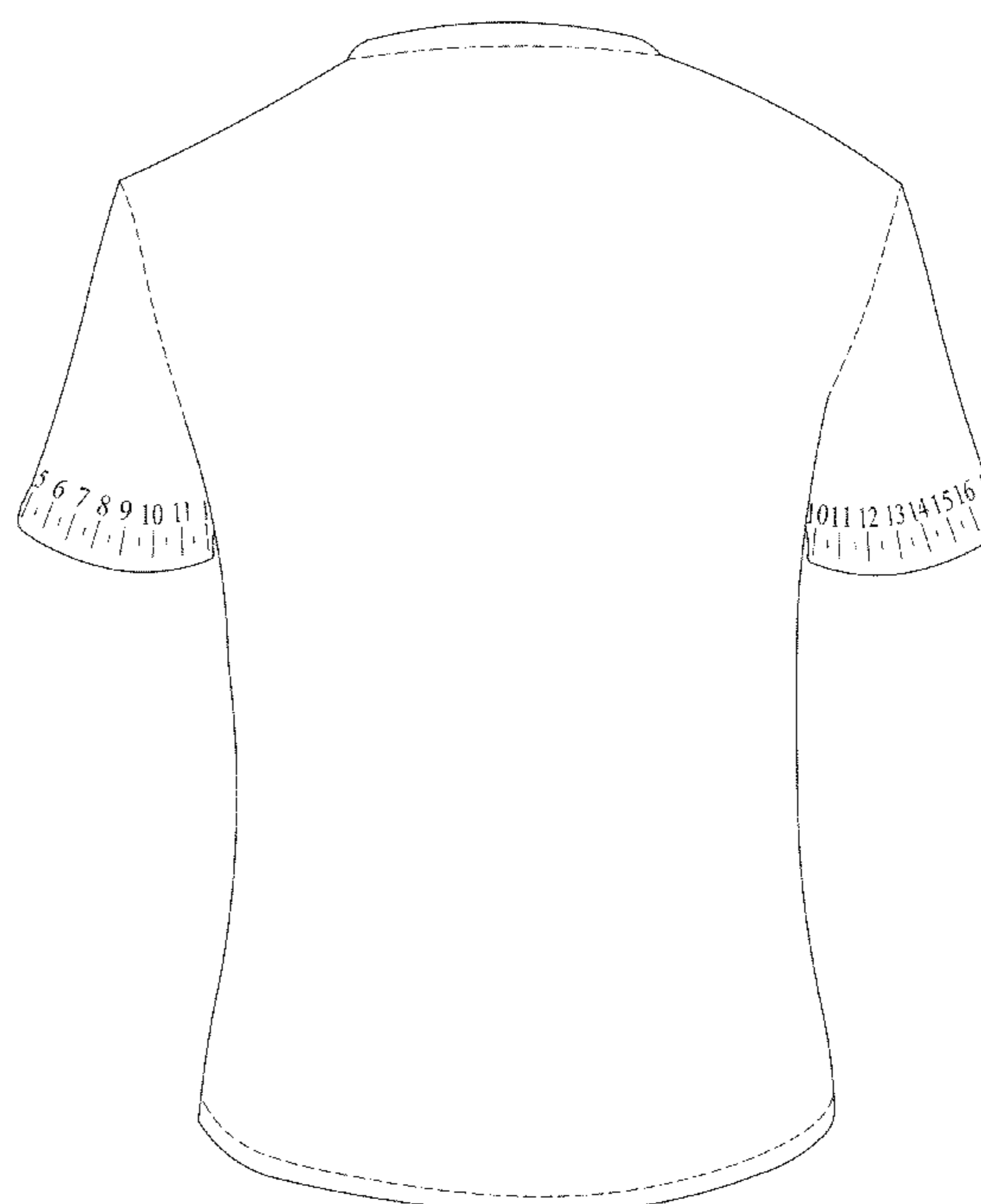
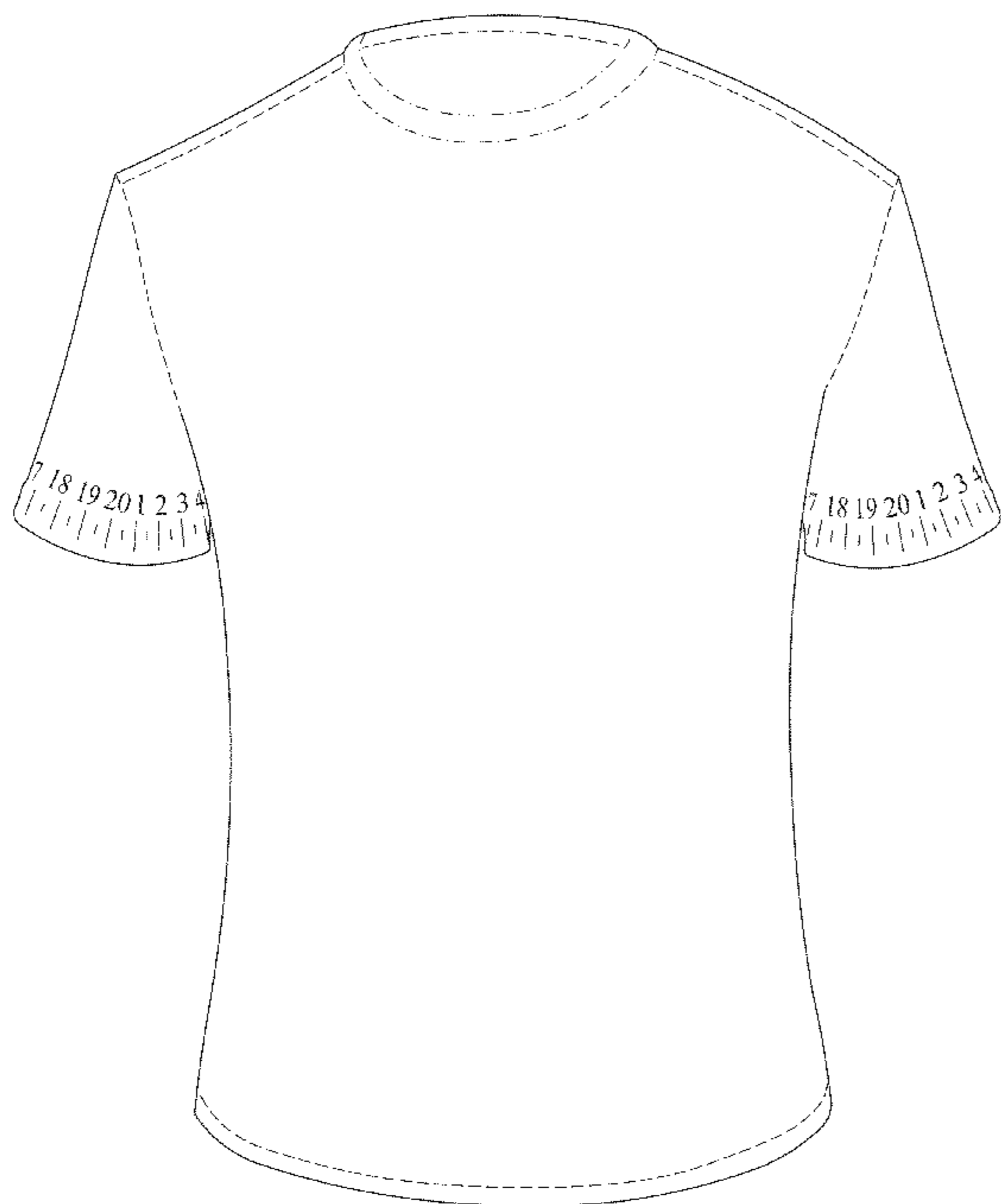
I claim the ornamental design for a T-shirt with biceps measurement, as shown and described.

DESCRIPTION

FIG. 1 is a front, top isometric view of a T-shirt with biceps measurement;
FIG. 2 is a front view thereof;
FIG. 3 is a right side view thereof;
FIG. 4 is a rear view thereof.
FIG. 5 is a left side view thereof;
FIG. 6 is a top view thereof; and,
FIG. 7 is a bottom view thereof.

The evenly spaced broken lines shown on the T-shirt with biceps measurement represent stitch lines and are part of the claimed design. The dash-dot-dash-dot broken lines showing a front portion of a neckline forms no part of the claimed design.

1 Claim, 7 Drawing Sheets



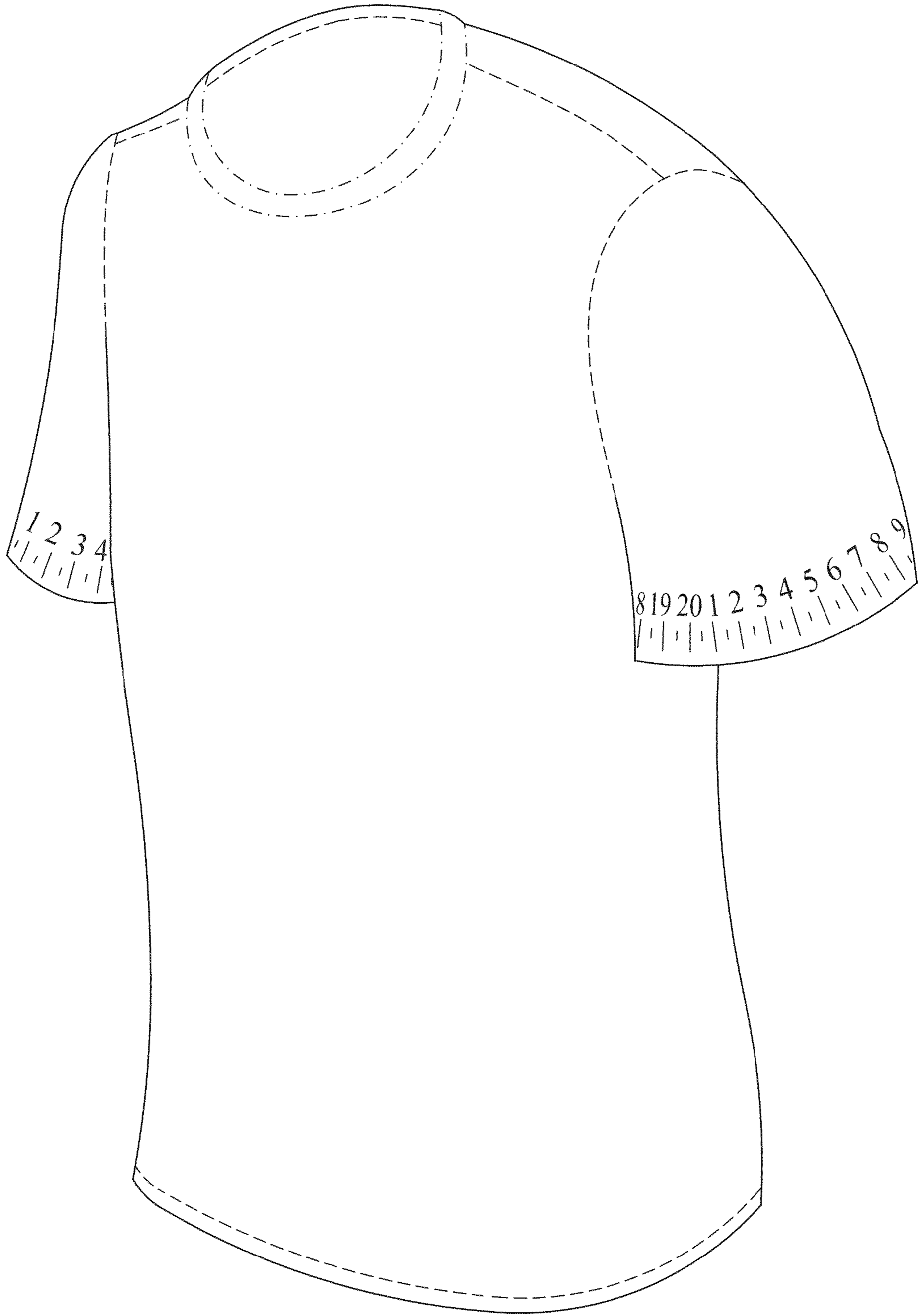


FIG. 1

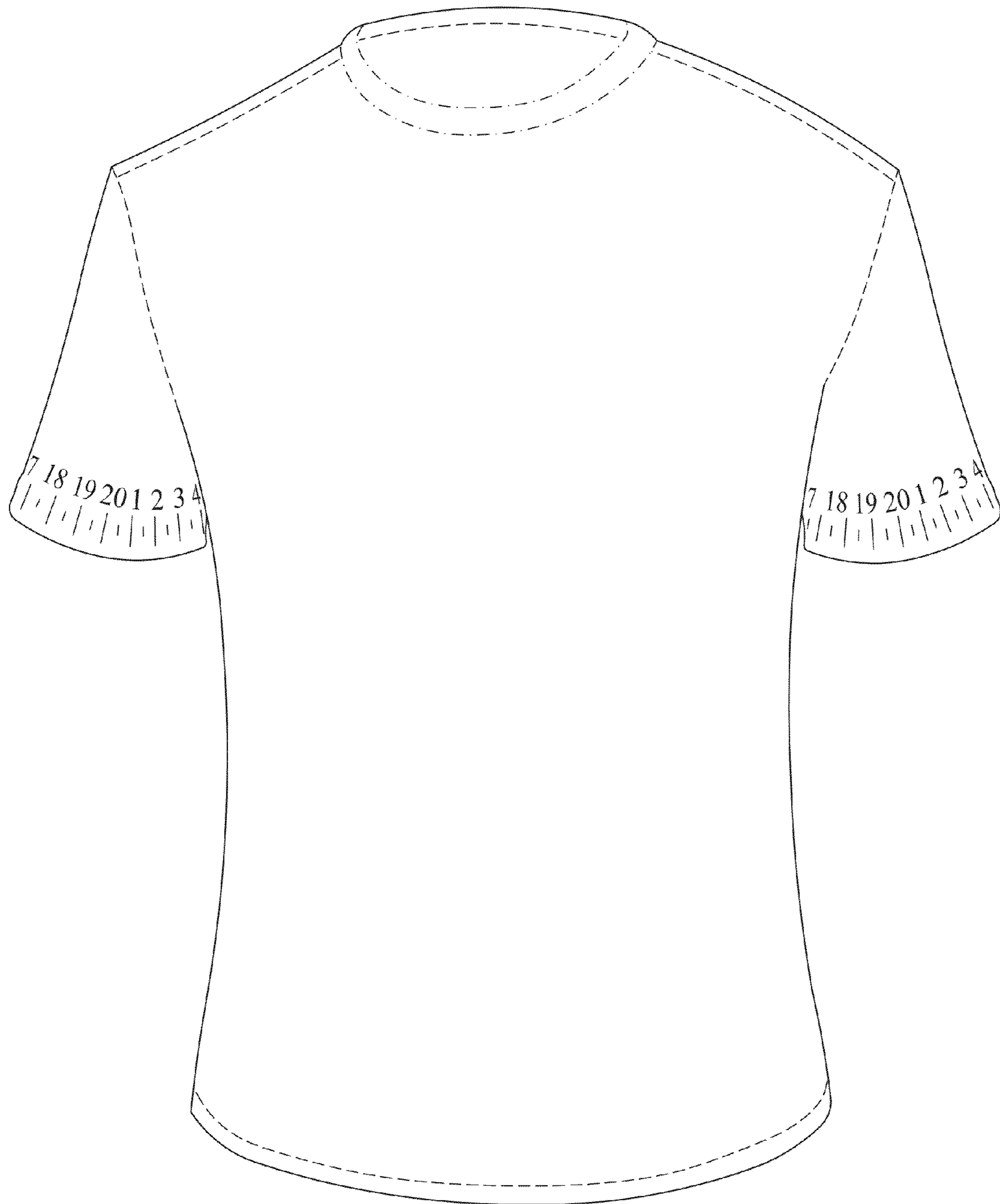


FIG. 2

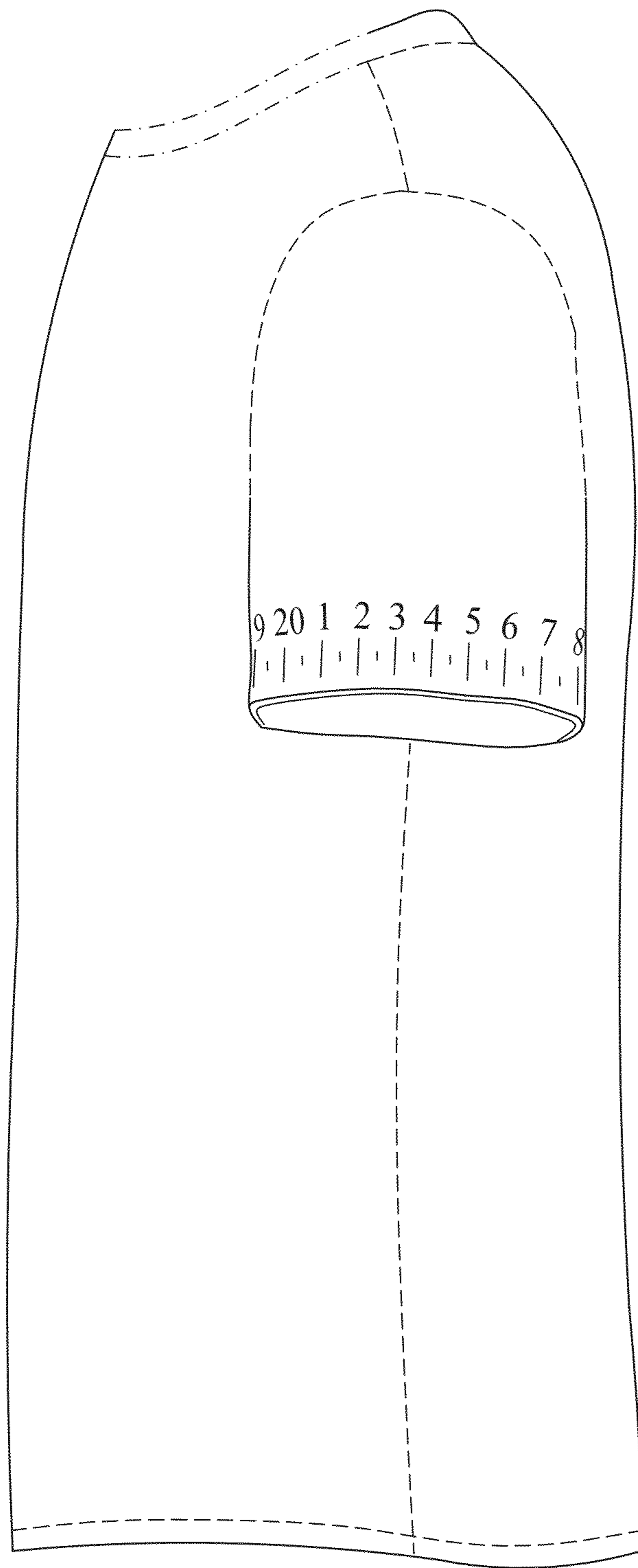


FIG. 3

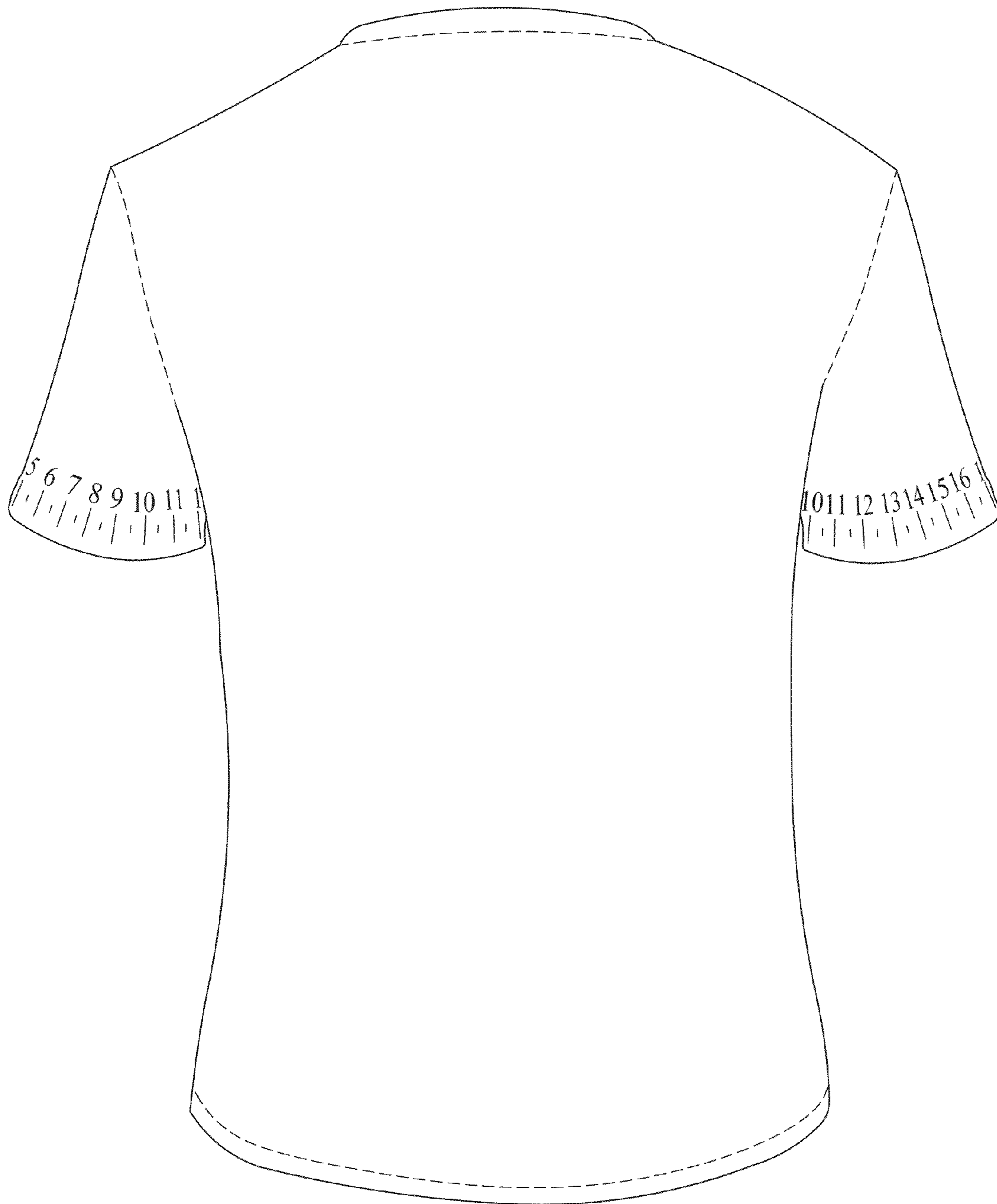


FIG. 4

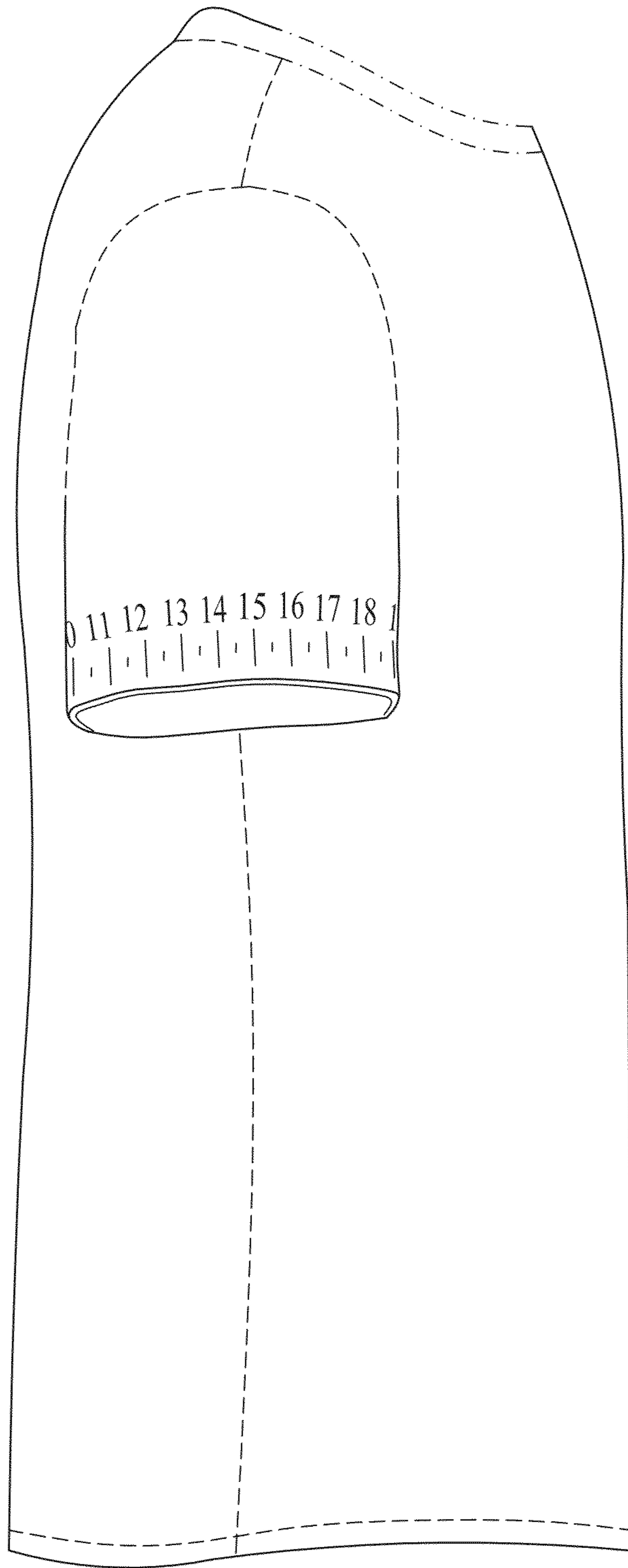


FIG. 5

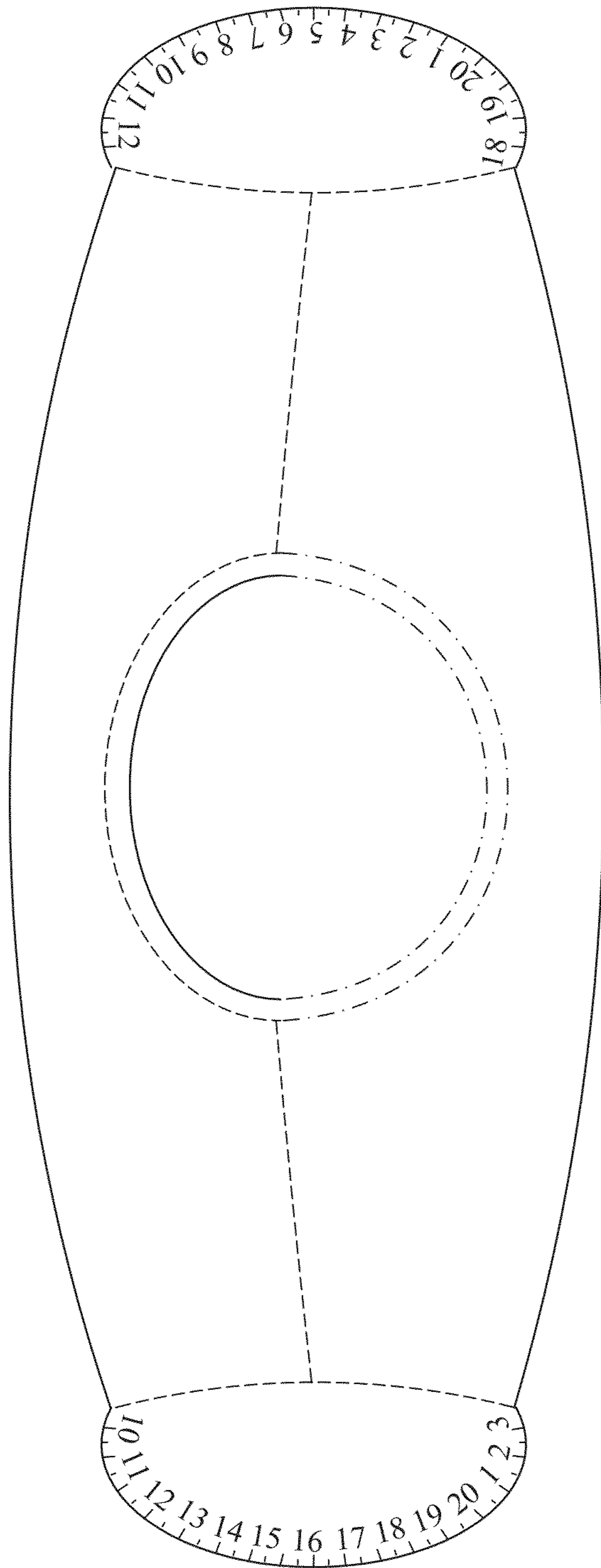


FIG. 6

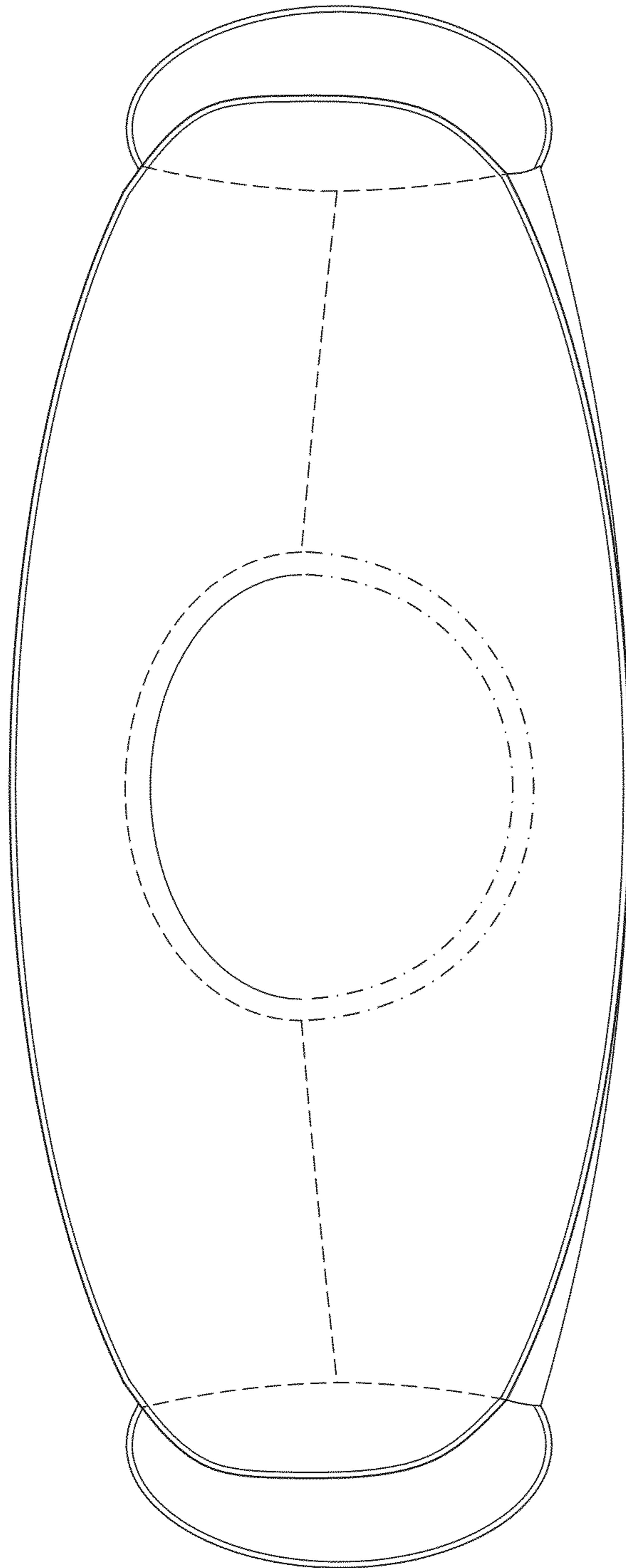


FIG. 7